

MLS-300i

Intercom Speaker

The **MLS-300i** is a high performance intercom speaker with Push To Alert button (PTA) designed to operate with the Standard Horizon **VLH-3000** Loud Hailer.

INSTALLATION

1) MOUNTING BRACKET INSTALLATION

1. Remove the **MLS-300i** from the bracket by removing the two Mounting Bracket Knobs.
2. Choose a place to mount the **MLS-300i**.
3. Use the bracket as a template to mark the locations of the mounting holes.
4. Use a 5.2-mm (17/64") bit to drill the holes, and secure the bracket with the supplied screws, spring washers, flat washers, and nuts (Figure 1 & 2).
5. Insert the **MLS-300i** into the bracket with the Mounting Bracket Knobs which were removed in step 1.
6. Set the **MLS-300i** to the preferred angle, then tighten the Mounting Bracket Knobs to fasten the **MLS-300i** to the bracket.
7. Route and secure the connection cable from the **MLS-300i** to the **VLH-3000** Loud Hailer. Connect the WHITE wire of the connection cable to the "positive (+) intercom speaker output," the shield of the connection cable to the "negative (-) intercom speaker," and the YELLOW wire of the connection cable to the "push to alert" terminal (Figure 3).

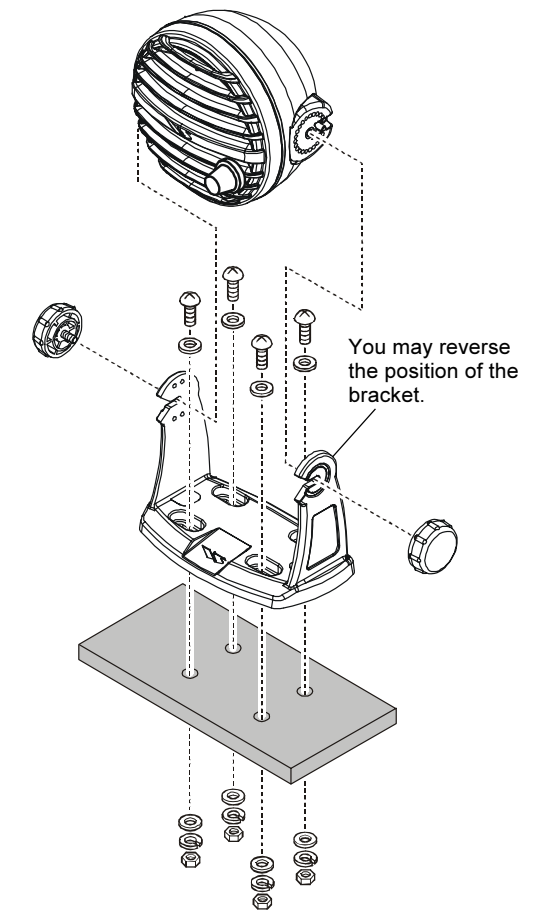


Figure 1 (Desktop Mount)

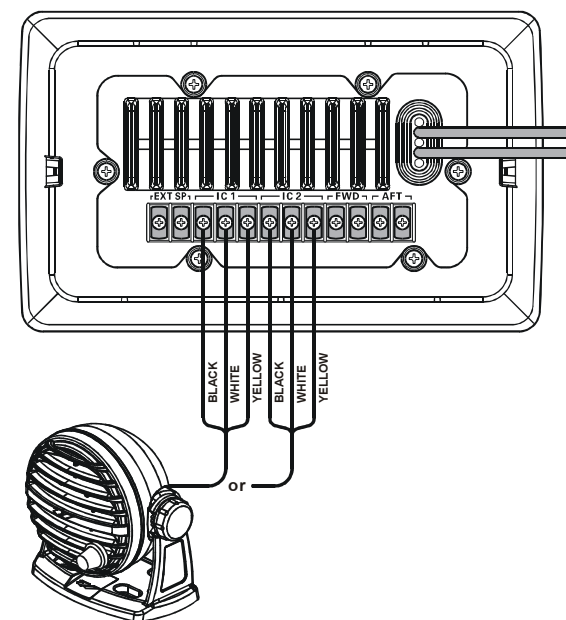


Figure 3

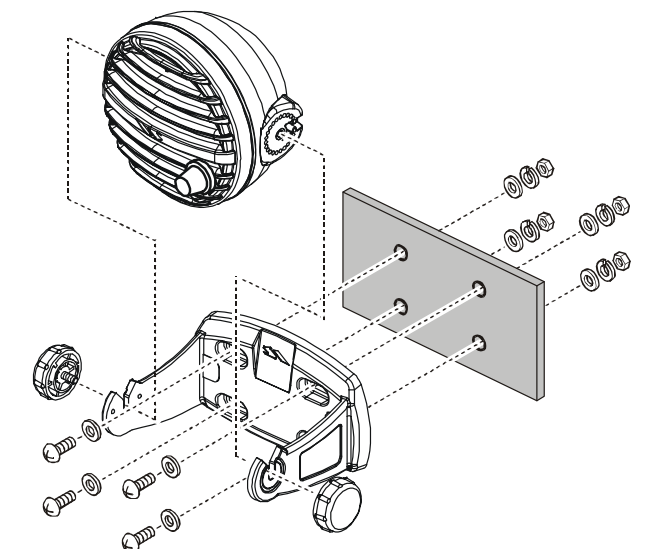


Figure 2 (Wall Mount)



2) FLUSH MOUNT INSTALLATION

1. Remove the **MLS-300i** from the bracket by removing the two Mounting Bracket Knobs, then remove the rear case of the **MLS-300i** from the main body by removing the four screws (Figure 4).
2. Assemble the supplied M4x50 Screw, Nut, and Washer as the Figure 5.
3. Use the supplied template to mark the location where the round hole is to be cut. Confirm the space behind the dash or panel is deep enough to accommodate the **MLS-300i** (at least 2.8 inch (70 mm) deep).
4. Cut out the round hole (one large hole and four small mounting holes) and inset the **MLS-300i** from the front side.
5. Referring to Figure 6, pass through the four M4x50 Screws (with Nut and Washer) into the mounting holes on the panel from the back side and turn the M4x50 Screws five times.
6. Turn the four Nuts to adjust the tension so that the **MLS-300i** is tight against the mounting surface.
7. Route and secure the connection cable from the **MLS-300i** to the **VLH-3000** Loud Hailer. Connect the WHITE wire of the connection cable to the “positive (+) intercom speaker output,” the shield of the connection cable to the “negative (-) intercom speaker,” and the YELLOW wire of the connection cable to the “push to alert” terminal (Figure 3).

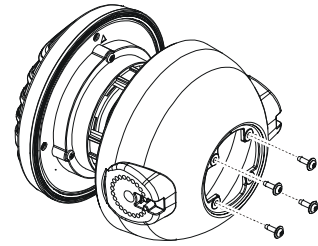


Figure 4

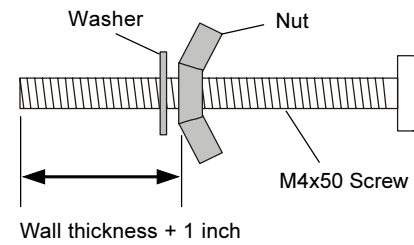


Figure 5

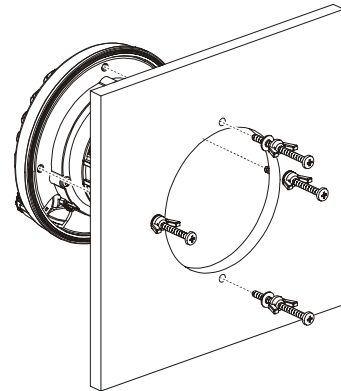
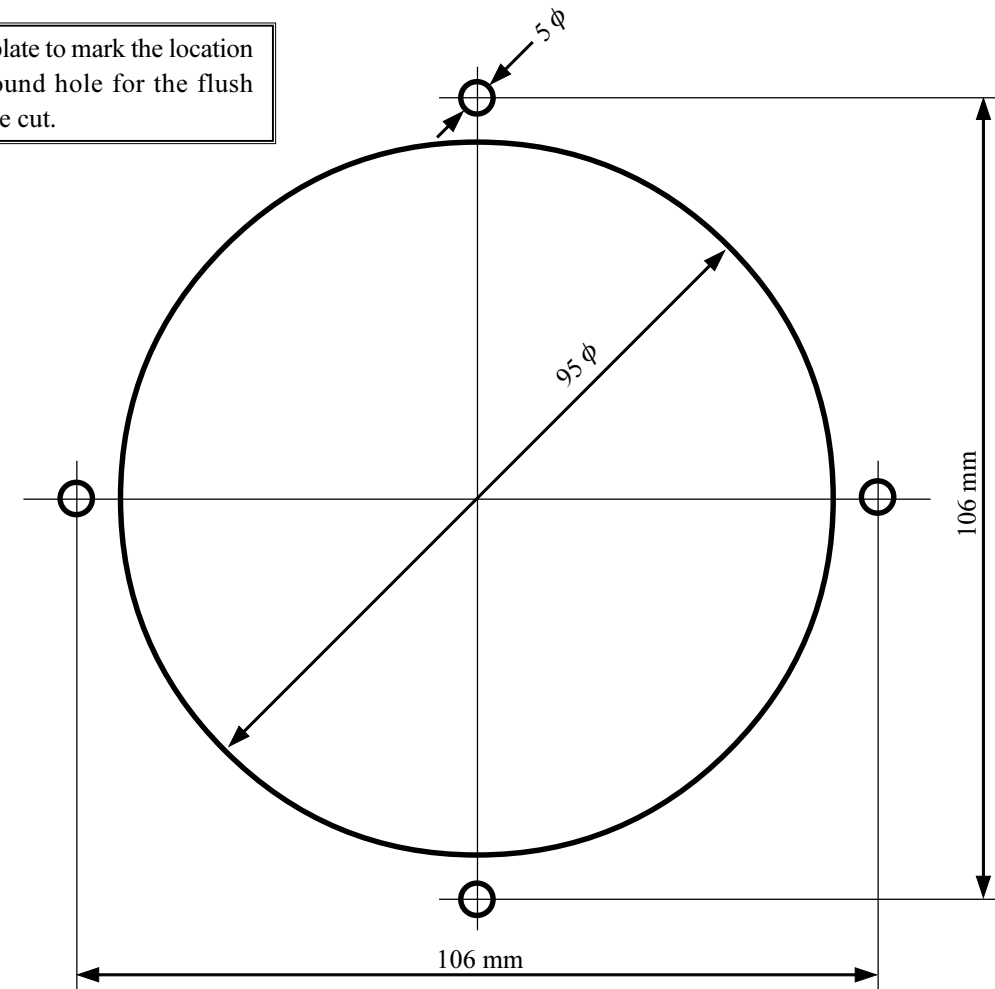


Figure 6

TEMPLATE for the MLS-300i

Use this template to mark the location where the round hole for the flush mount is to be cut.



OPERATION (PTA FEATURE)

To call the **VLH-3000**, press the **PTA** button. A calling beep will be heard on the **VLH-3000** with an indication of the intercom station (**IC1** or **IC2**).

REPLACEMENT PARTS

PTA (Push To Alert) Button (Black):	RA0831900
PTA (Push To Alert) Button (White):	RA0815300
Mounting Bracket (Black):	RA0653900
Mounting Bracket (White):	RA0653800
Mounting Bracket Knobs (Black):	RA045910A
Mounting Bracket Knobs (White):	RA043770A
Mounting Bracket mounting hardware:	U9900147



SPECIFICATIONS

Speaker Impedance:	4 Ω
Maximum Power Input:	10 W
Connection Cable Length:	6.5 feet (2 m)