



## Application Information

Most marinas and boat docks provide shore power for their tenants. This application presents unique requirements, including atmospheric conditions, receptacle versatility, rugged construction and attractiveness. The 2002 National Electrical Code requires:

**555-19 Receptacles.** Receptacles that provide shore power for boats are required to be single and of the locking and grounding types.

**555-17 Disconnecting Means.** A readily accessible disconnecting means, a circuit breaker, switch or both, shall be provided by which each boat can be isolated from its supply connection.

**555-19(3) Branch Circuits.** Each single receptacle that supplies shore power to boats shall be supplied from a marine power outlet or panelboard by an individual branch circuit of the voltage class and rating corresponding to the rating of the receptacle.

**555-15(A) Equipment to be Grounded.** The following items shall be connected to an equipment-grounding conductor run with the circuit conductors in a raceway or cable:

1. Metal boxes, metal cabinets and all other metal enclosures
2. Metal frames of utilization equipment
3. Grounding terminals of grounding-type receptacles

Midwest Electric offers a complete line of metered and un-metered power outlets for marina applications. All Midwest marina power outlets utilize corrosion-resistant, grounding and locking-type receptacles, with individual circuit breaker protection, enclosed in a single, easy-to-install enclosure. The different styles of construction in the products we manufacture include:

- Non-metallic power centers - DockPro, Dockmaster and Dockmate
- Metallic power centers- Dockhand, featuring galvanized steel construction

**((( REMOTE METERING PACKAGES AVAILABLE )))  
CONSULT MANUFACTURER**



**Not all products listed here. Contact your manufacturing representative for a full Marina Catalog.**



## DOCKPRO®

- Thermoplastic NEMA 3R enclosure with aluminum extrusion frame
- Power, phone & TV under same door
- 360° fluorescent or incandescent lighting for better visibility
- Electronic metering option
- Water shroud is included
- UL & CUL listed



## DOCKMASTER®

- Injection molded GE thermoplastic
- Power, phone & TV under same door
- Energy saving fluorescent light
- Electronic metering option
- Water shroud option
- Crisp, clean appearance
- UL & CUL listed



## DOCKMATE®

- Power center for Dockbox, surface or pedestal
- Injection molded GE thermoplastic
- Electronic metering option
- Water shroud option
- Energy saving fluorescent light & photocell
- UL & CUL listed

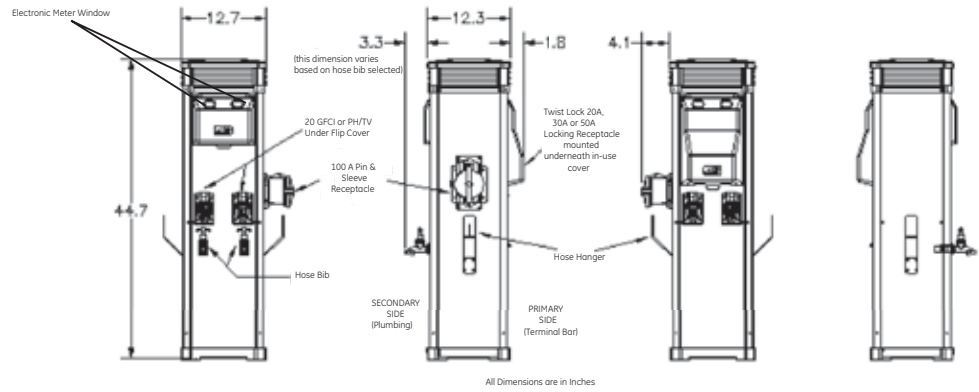


## DOCKHAND®

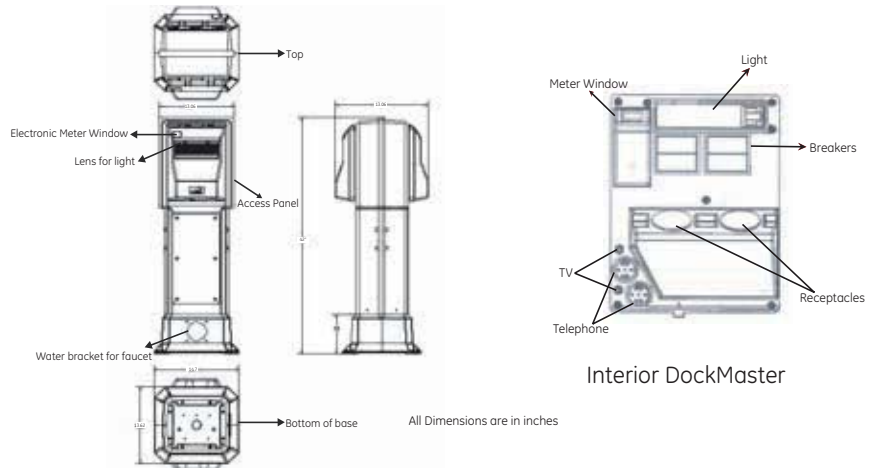
- Compact, durable and economical
- Painted galvanized steel
- Post or surface units
- Post available with loop feed lugs
- Metered or Unmetered
- UL & CUL listed

NOTE: Metered units for use in California require special testing and certification. Contact Manufacturer for information.

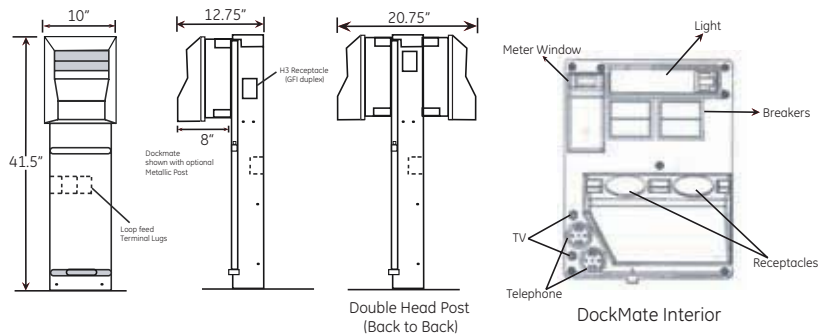
## DockPro



## DockMaster



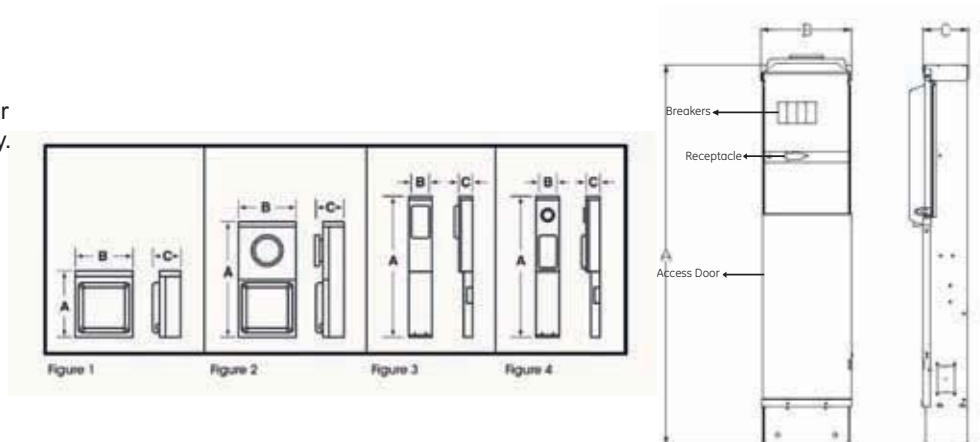
## DockMate



Marina Products 6

## DockHand

Available in 6" or 9" wide post or surface mount. Dimensions vary. Please refer to the full Marina Products Catalog.



## MARINA/ RV SUBSTATION

Midwest Electric's marina substations provide a safe, economical way to deliver power to Power Centers and Power Pedestals.

The substations consist of a core and coil dry-type transformer and a distribution panelboard in a common enclosure.

- NEMA 3R, Marine grade enclosures
- 15kva-300kva transformer range
- Contact Midwest rep for additional information

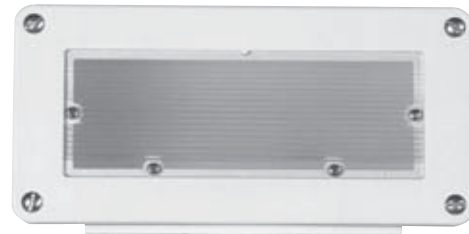


## HARBORLIGHT™

### MARINA DOCKSIDE LIGHT FIXTURE

#### Harborlight Features

- UL Listed
- Corrosion resistant VALOX® housing, all stainless exterior hardware
- PL7 energy saving fluorescent lamps are included
- Separable non-metallic base for fast secure installation
- Prismatic lens made from tough, durable LEXAN®



#### Ordering Information

MODEL #	DESCRIPTION
DLITE071*	7 watt Fluorescent

- Harborlight is suitable for 120V AC service
- Light circuit should be provided by a circuit breaker or fuse (not included)

\* For newer style units ONLY. For units purchased prior to 2000 consult manufacturer for correct model.

## DOCKPRO LIGHT

### MARINA DOCKSIDE LIGHT PEDESTAL

#### DockPro Light Features

- Used as accent lighting for better visibility of dock areas and pathways
- Pedestals are available in 12" (VUZZZAUW12), 24" (VUZZZAUW24) & 42" (VUZZZAUW42) heights
- 360 degree lighting with Edison based socket to be used with a 15W Compact Fluorescent or an Edison Incandescent Bulb up to 40W (bulbs not provided)
- Lenses available in the following colors: Clear or Opaque



Not all products listed here. Contact your manufacturing representative for a full Marina Catalog.

## NON-METALLIC MARINA DOCKMATE, DOCKMASTER & DOCKPRO MODEL CONFIGURATION

### STEP 1:

Choose Unit Type (2 characters)

Dockmate

Single:                      Back-to-Back:

Examples:    **VA**                      **VF**

Code	Unit Type-Base Only
VA	Dockmate Power Center (Head Only)
VD	Dockmate, single-side, w/stainless steel pad mount post
VE	Dockmate, single-side, w/galvanized steel pad mount post
VF	Dockmate, back-to-back, w/stainless steel pad mount post
VG	Dockmate, back-to-back, w/galvanized steel pad mount post
VH	Dockmaster single-sided pedestal
VJ	Dockmaster back-to-back pedestal
VX	Dockpro single-sided pedestal
VY	Dockpro back-to-back pedestal

### STEP 2:

Choose desired receptacles for Head 1 (3 characters)

Single:                      Back-to-Back:

Examples:    **DBZ**                      **DBH**

Code	Most Common Receptacle/Circuit Breaker Combinations Partial Listing for Marina Products
D	L6-50R 50 amp 125/250 V Locking Type
E	L5-50R 50 amp 125 V Locking Type
B	L5-30R 30 amp 125 V Locking Type
P	L5-30R 30 amp 125 V Locking Type with GFI Breaker
I	5-20R1 20 amp 125 V Straight Blade with GFI Breaker
H	5-20R2 GFCI duplex 20 amp 125v Straight Blade under flip cover on Post
W	100 amp IEC-309 Pin/Sleeve type, 125/250 V
Z	Not Used (Blank)

**Note:** Receptacles cannot exceed 120 amps per side.

### STEP 3:

Choose desired options for Head 1 or 2 (2 characters)

Single:                      Back-to-Back:

Examples:    **CS**                      **CQ (side 1)**  
                                                                         **AA (side 2)**

Code	Options
AA	No Options
AQ	7W Light
AU	7W Light and Photocell
AW	7W Light, Photocell and Metered
CQ	1 TV/Telephone, 7W Light and Photocell
AC	Metered
AS	7W Light and Metered
CM	1 TV/Telephone and 7W Light
CS	1 TV/Telephone, 7W Light, Photocell and Metered
CO	1 TV/Telephone, 7W Light and Metered
BW	1 TV/Telephone
DS	2 TV/Telephone
EK	2 TV/Telephone and Metered

\* Use box below for appropriate meter adder.

* Electronic Metering -- Use with 125V receptacles (E, B, P, I, H)	One Meter
	Two Meters
* Electronic Metering -- Use with 125/250V receptacles (D, W)	One Meter
	Two Meters

Repeat Steps 2 & 3 for any back-to-back models to arrive at model number. Receptacles and options can vary on back side.

### STEP 4:

Color: Standard White (add W suffix).

Contact factory for special paint requests.

Single:                      Back-to-Back:

Examples:    **VADBZCSW**                      **VFDBHCQDBHAAW**

Dockmate Pricing Example (Single)

Model: VADBZCSW	
<b>Step 1:</b>	Dockmate (VA)
<b>Step 2:</b>	Receptacles:
Head 1	D, B, Z
Head 2	
<b>Step 3:</b>	Options:
Head 1	CS (CQ+Meter)
Head 2	
Meter	One 125/250V

Dockmate Pricing Example (Back-to-Back)

Model: VFDBHCQDBHAAW	
<b>Step 1:</b>	Dockmate (VF)
<b>Step 2:</b>	Receptacles:
Head 1	D, B, H
Head 2	D, B, H
<b>Step 3:</b>	Options:
Head 1	CQ
Head 2	AA

### Accessories (Field Installed)

\* May be factory installed using appropriate option code

Model	Description
VLIGHT	7 WATT FLUORESCENT LIGHT
VLOOP	1/0 LOOP LUG KIT (For head only -- Loop lug installed in post)
VAMBER	AMBER LENS COVER **
VAPE	PHOTOELECTRIC SENSOR
VATELTV	TELE/TV CONNECTION KIT (MARINA)
ULUG3	4th POSITION LUG FOR 3-PHASE LOOP
	FEED #6-350 KCMIL
UH90SW	STAINLESS WATER SHROUD (MARINA)
UH90GW	GALVANIZED WATER SHROUD (MARINA)
UHH	ONE PAIR CORD & HOSE STORAGE RACK
VHH	ONE PAIR CORD & HOSE STORAGE RACK (DOCKPRO)
VXAMBER	AMBER LENS (DOCKPRO)
UBFP	BACKFLOW PREVENTER
UWATER34	3/4" HOSE BIB
VMASTER1S	125V ELECTRIC METER KIT- SINGLE
VMASTER2S	125V ELECTRIC METER KIT- DUAL
VMASTER1D	125/250V ELECTRIC METER KIT-SINGLE
VMASTER2D	125/250V ELECTRIC METER KIT-DUAL

\*\* For use on Dockmate and Dockmaster only.