



120/220/240 VOLTS AC and 12/24 VOLTS DC DUAL VOLTAGE REFRIGERATORS

INSTALLATION AND OWNER'S MANUAL

12/24 VDC only

- DC0788B
- DC0788S
- DCF788B
- DCF788S
- DCR788B
- DCR788S

120 VAC and 12/24 VDC

- DE0788B
- DE0788S
- DEF788B
- DEF788S
- DER788B
- DER788S

220/240 VAC and 12/24 VDC

- EV0788B
- EV0788S
- EVF788B
- EVF788S
- EVR788B
- EVR788S

Service Information

If service or parts are required, contact the nearest Norcold Service Center. To find an authorized Norcold Service Center near you, please telephone the Norcold Customer Support Dept. at 800-543-1219 (option-1) or visit our web site at www.norcold.com.

Norcold Customer Support Dept.
Telephone : 800-543-1219
Fax : 937-497-3183
Web Site: www.norcold.com

09/16/2015
Part No. 632329D
#5490 176 5300

Serial No. _____

NORCOLD AC/DC Models - Two Year Limited Warranty

Norcold, Inc. warrants for a period of two (2) years from the date of purchase that Norcold, Inc. will repair or replace its AC/DC refrigerators.

Limitations of Warranty

1. This warranty is the only warranty for Norcold AC/DC refrigerators. This warranty does not cover glassware, electric light bulbs or replaceable fuses.
2. This warranty does not apply to refrigerators or component parts that have been subjected to misuse, improper installation, abnormal service, transit damage, recharging of cooling unit system, accident, fire, improper repair, tampering or abuse.
3. The duration of any implied warranty is limited to two (2) years.
4. Some states do not allow limitations on how long an implied warranty lasts, so the above limitation may not apply to you.

Limitations of Remedy

1. The responsibility of Norcold under this or any warranty is limited to the repair or replacement (at Norcold's option) of any defective refrigerator or component part.
2. **In no event and under no circumstances shall Norcold be responsible for any other charge whatsoever, including but not limited to charges or claims for labor, lost business, lost time, lost profits, loss of use, or any kind of incidental or consequential damages, however denominated or described.**
3. Some states do not allow for the exclusion or limitation of incidental or consequential damages, so the above exclusion may not apply to you.

To obtain warranty service, contact Norcold Customer Service at (800) 543-1219 or visit our website at www.norcold.com.

Legal Rights

This warranty gives you specific legal rights, and you may have other legal rights which vary from state to state.

Safety Awareness

Read this manual carefully and understand the contents before you install the refrigerator.

Be aware of possible safety hazards when you see the safety alert symbol on the refrigerator and in this manual. A signal word follows the safety alert symbol and identifies the danger of the hazard. Carefully read the descriptions of these signal words to fully know their meanings. They are for your safety.



This signal word means a hazard, which if ignored, can cause dangerous personal injury, death, or much property damage.



This signal word means a hazard, which if ignored, can cause small personal injury or much property damage.

Model No. and Serial No.

The model and serial number are on a label which is inside the refrigerator on the left side and on the cover of this manual.

Operation

This refrigerator is made for refrigerating purposes and operates on 120/220/240 VAC or 12/24 VDC power when installed as written in this manual. The correct supply voltage(s) is located on the serial plate.

AC is the primary power source. When an AC source is not available, a built-in relay automatically switches the refrigerator operation to the DC power source. If the refrigerator is operating on the DC power source and AC power becomes available, the relay switches the refrigerator operation to the AC power source.



Never store combustible materials near the refrigerator. Storing combustible materials near the refrigerator creates a safety hazard and also decreases the ventilation of the cooling system which decreases the refrigerator performance.

Do not store explosive substance such as aerosol cans with flammable propellant in this appliance.

Do not touch the evaporator or other metal parts inside the refrigerator cabinet with wet hands because they can freeze to the refrigerator.

Always disconnect all power sources from the refrigerator when doing routine maintenance. Have service work done only by a qualified service technician.



This refrigerator can be used by children aged 8 years and above and persons with reduced physical, sensory or mental capabilities or lack of experience and knowledge if they have been given supervision or instruction concerning use of the refrigerator in a safe way and understands the hazards involved.

Children shall not play with the appliance.

Cleaning and user maintenance shall not be done by children without supervision.

Avoid using flammable sprays near the refrigerator. The electric contacts may catch fire.

When there is a leak of utility gas around you, do not touch the refrigerator or its cable plug. Open the windows and maintain good ventilation. Failing to do so may lead to a fire and or a burn from the explosion.

Do not use the refrigerator if its power cable is damaged or the catch of its plug is loose. Failing to comply may lead to an electric shock, short or fire.

NOTICE

Check if the voltage noted on the type plate on the refrigerator matches the one applied by an external power source.

The refrigerator temperature is controlled by a thermostat, located in the refrigerator. A light, located on the panel comes on when the refrigerator is “ON”. Number “1” is the warmest and number “5” is the coldest thermostat position. For efficient operation, change the thermostat according to the types of food stored and the ambient temperature.

If you are not going to use the refrigerator for an extended period of time, put the thermostat to the “OFF” position (full counterclockwise position).

Protection System

Your refrigerator has an over current protection system in the electronic circuit to prevent damage to the inverter which may occur due to a reverse polarity connection.

If the refrigerator does not operate and the interior light does not come on, check the fuse, which is located on the side of the inverter case, and the polarity of the DC power supply. If the refrigerator still does not operate, another problem can exist in the inverter. Have an authorized Norcold Service Center check the refrigerator.

Cleaning and Defrosting

Defrosting

It is normal for frost to collect on the freezer plate inside the refrigerator. Excess frost decreases the cooling performance of the refrigerator. Defrost the refrigerator as necessary.



Do not use sharp objects, a hair dryer, a heat gun, etc. to defrost the refrigerator. Damage to the interior of the refrigerator can occur.

- Turn the thermostat to “OFF”.
- Remove all food from the refrigerator.

NOTICE

Defrosting the refrigerator makes excess water inside the refrigerator.

- Put dry towels (etc.) inside the refrigerator to absorb the excess water.
- Put trays of hot water in the freezer until the frost is melted.
- Empty the drip tray.
- Remove the wet towels (etc.) and dry the inside of the refrigerator

- Put dry towels (etc.) inside the refrigerator to absorb the excess water.
- Put trays of hot water in the freezer until the frost is melted.
- Empty the drip tray.
- Remove the wet towels (etc.) and dry the inside of the refrigerator

Cleaning

- Turn the thermostat to the desired setting.
- Put the drip tray and all food in the refrigerator.

A good time to clean the refrigerator is just after you defrost it.

Clean the inside of the refrigerator as often as necessary to avoid food odors:- Remove all food from the refrigerator.

NOTICE

Do not use abrasive cleaners, chemicals, or scouring pads because they can damage the inside of the refrigerator.

- Wash the inside of the refrigerator and the door gasket with a solution of liquid dish detergent and warm water.
- Rinse with clean water and dry.
- After cleaning, put a thin coating of petroleum jelly on the hinge side of the gasket to keep it soft and to prevent it from rolling.

Battery Maintenance

Over cooling drains your battery

When the ambient temperature is between 70° and 90° F, keep the thermostat at the “3” position to avoid an excessive drain of the battery. When making ice, or storing frozen foods, turn the thermostat to the coldest setting “5”.

Maintain the battery

If the charge of your battery is not sufficient, the cooling performance of your refrigerator decreases.



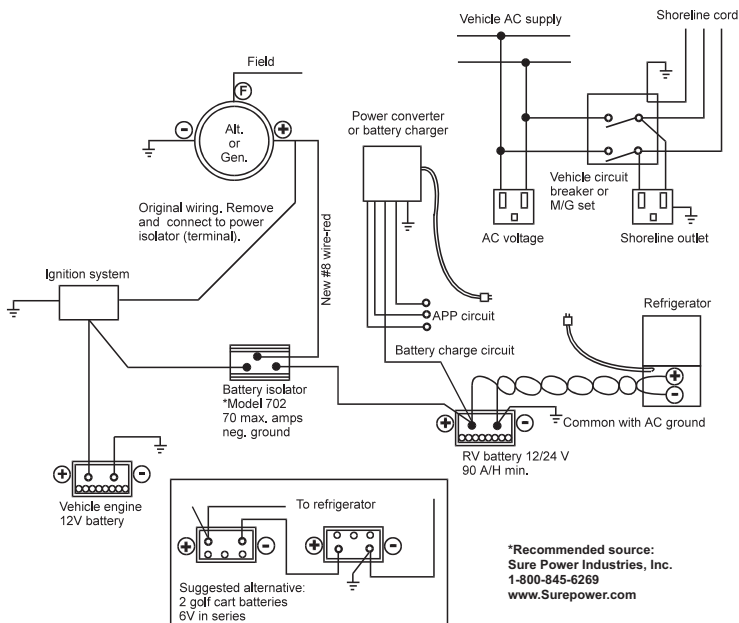
Only use a “quick charger” on the battery if the thermostat is turned to “OFF”.

Check the Battery charge Level

A fully charged battery will have a specific gravity reading of between 1.260 and 1.280. The battery voltage is best indicated when the refrigerator is "ON" and the battery charging system is "OFF". Charge the battery when the specific gravity reading is less than 1.200.

For your reference

The wiring diagram shown below is recommended for dual battery hookup (See Art01516).



Art01516

Disposal



To prevent the risk of child entrapment, before you discard your old refrigerator:

- Remove the doors from the refrigerator.
- Let the shelves stay in position so that a child may not easily climb inside the refrigerator.
- This refrigerator is marked with this symbol. It means that used electrical and electronic refrigerators should not be mixed with general household waste.



If you wish to dispose this refrigerator, contact your local authorities and ask for the correct method of disposal, or specialist dealer for details about how to do this in accordance with the applicable disposal regulations.



- Cyclopentane is used in the insulation. The gases in the insulation material require a special disposal procedure. Please contact your local authorities in regard to the environmentally safe disposal of the refrigerator.

Installation

The refrigerator must be located and secured on a solid surface in the vehicle or watercraft.

Before installing the refrigerator into the opening, make sure the DC supply is properly connected.

Measure the opening to determine if you have proper clearance for installation. Additional insulation space around the refrigerator is not necessary.

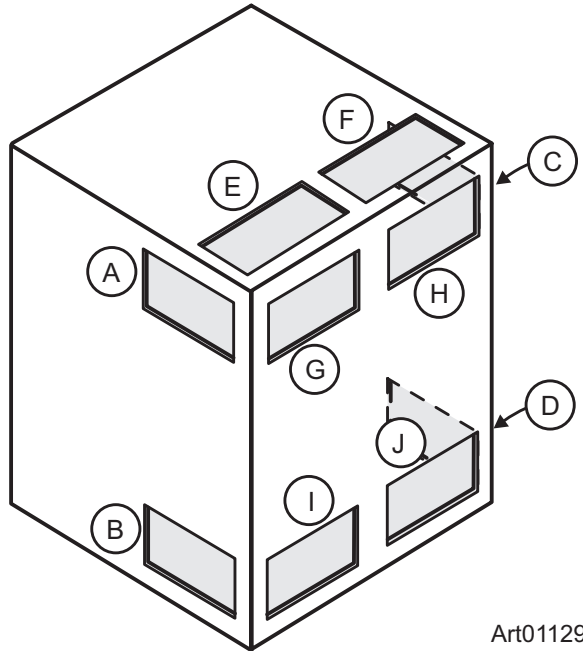
Be sure the refrigerator is not in direct sunlight or near a gas stove, a heater, or other heat-generating appliances. Avoid installing your refrigerator close to warm water lines or warm air ducts.

Your refrigerator was thoroughly cleaned before shipment from the factory. It is advisable, however, to clean the interior once more before using. Wipe the interior with a cloth and warm water. Then wipe with a dry cloth.

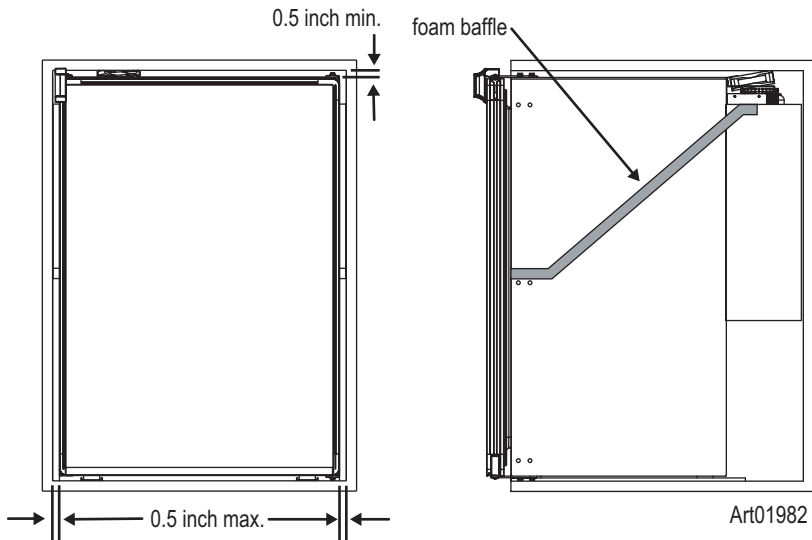
Ventilation

Sufficient ventilation (airflow) over the rear mounted condenser of the refrigerator is necessary for the refrigerator to operate correctly. Use any of the following combinations of vent openings: A-D, A-I, A-J, B-C, B-F, B-H, C-D, C-I, C-J, D-F, D-H, F-I, F-J, G-I, G-J, H-I, H-J (See Art01129 - for 0788 models only).

For the minimum required ventilation, each individual vent opening should be no less than 50 square inches. However, the vent openings should be larger, to allow as much ventilation as possible. The more air that circulates over the refrigerator condenser, the more efficiently the refrigerator will operate.



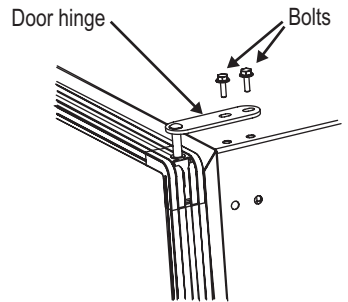
Art01129



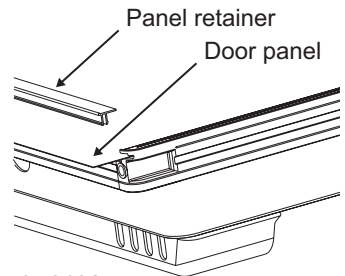
Do not remove the bottom rails from the refrigerator cabinet. The rails supply space under the refrigerator that is necessary for correct ventilation.

If you do not make sure that the ventilation is correct, a shortened refrigerator life expectancy, poor refrigeration, continuous operation, accelerated battery discharge and a void warranty will result.

If the refrigerator is installed in an unvented enclosure, separate the intake air and the exhaust air by a baffle. You may construct a foam baffle from 0.5 inch foam (See Art01982 - for R788 and F788 models only).



Art01983



Art01985

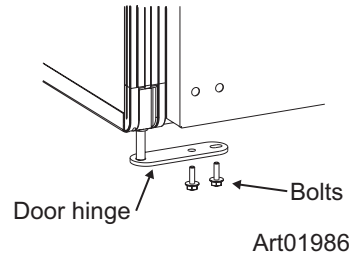
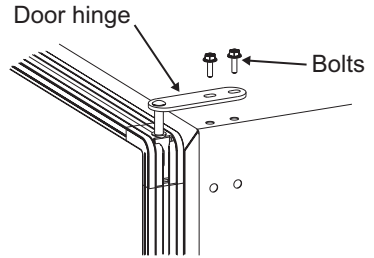
Installation Options

Install a decorative door panel

NOTICE *The decorative door panel must be 4 mm or less in thickness.*

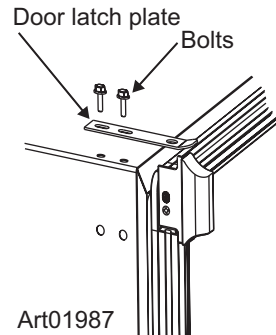
1. Remove the door from the refrigerator by removing the two (2) bolts that attach the door hinge to the top of the refrigerator (See Art01983).

2. Lift the door off the bottom hinge.
3. Remove the panel retainer by prying the retainer out of the slot (See Art01985).
4. Gently pull the door panel out of the door.
5. Push a new door panel into the door slot.
6. Put the panel retainer in the original location and press the retainer back into the slot.
7. Put the door in the original location and tighten the two (2) bolts.

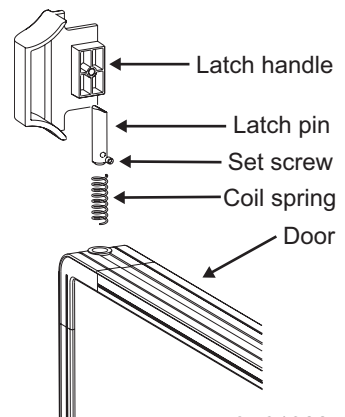


Reverse the door swing:

1. Remove the door from the refrigerator by removing the two (2) bolts that attach the door hinge to the bottom of the refrigerator (See Art01986).
2. Remove the two (2) bolts that attach the upper hinge.
3. Remove the bolt that attaches the door latch plate to the top of the refrigerator (See Art01987).
4. Remove the upper hinge and the door latch plate from the refrigerator.
5. Attach the upper hinge and the door latch plate to the opposite sides of the refrigerator.
6. Move the latch to the opposite side of the door (See Art01988):



- Remove the screw that attaches the latch handle and the latch pin.
- Remove the latch handle pin and the coil spring from the door.
- Move the set screw to opposite side of the latch pin.
- Assemble the coil spring and the latch pin into the opposite side of the door.



Art01988

- Attach the handle to the latch pin.
 - Make sure that the angled end of the latch pin is up.
7. Put the door onto the refrigerator and make sure that the gasket seals correctly.
 8. Install and tighten the two (2) screws that attach the door hinge to the bottom of the refrigerator.

Connect the 120/220/240 volts AC supply



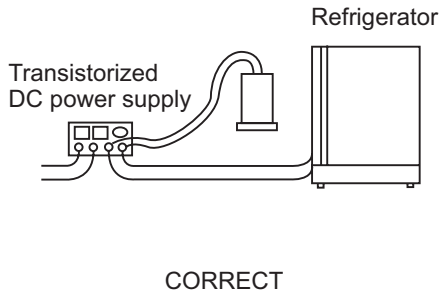
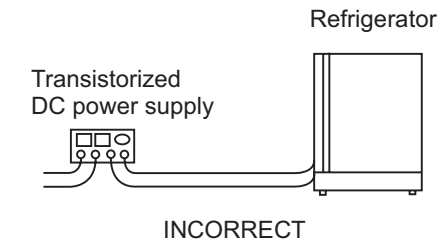
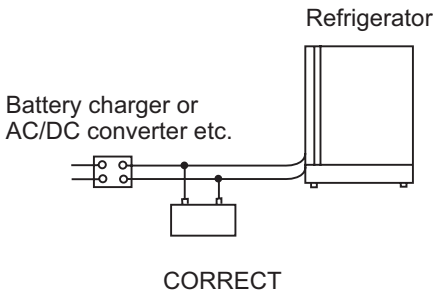
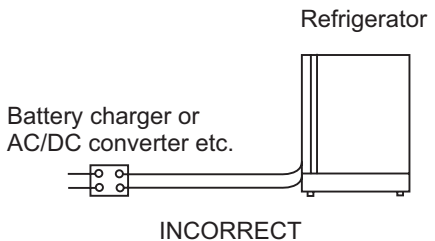
Connect the AC power cord(s) only to a grounded three-prong receptacle. Do not remove the round ground prong from any of the AC power cords. Do not use a two prong adapter or an extension cord with any of the AC power cords. Operation of the refrigerator without correct ground can cause dangerous electrical shock or death if you are touching the metal parts of the refrigerator.

Put the AC power cord into a grounded three-prong receptacle.

Connect the 12/24 volts DC supply



Only connect the refrigerator directly to the battery. Because they often generate high voltage pulses and cause transistor defects in the inverter, no other switches, lead wires, or electrical equipment should share the wiring between the refrigerator and battery.



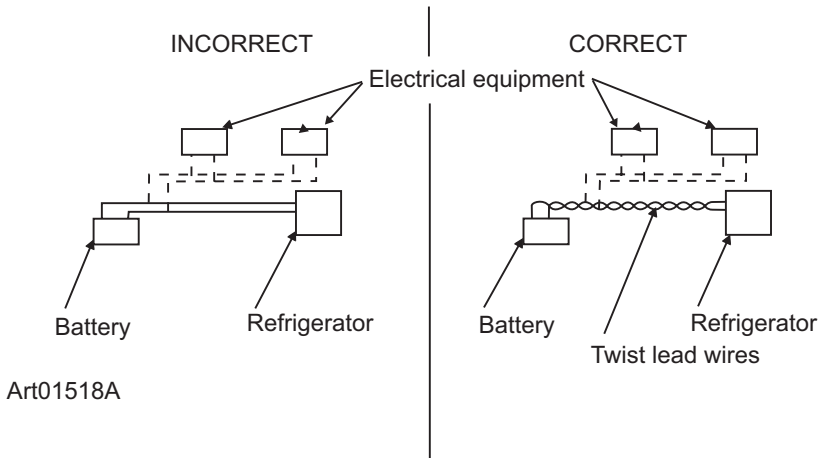
Art01521

When using either a converter or a battery charger, make sure that they are connected in parallel between the battery and the refrigerator. Do not use a converter or battery charger to supply the DC power directly to the refrigerator because these two devices do not supply filtered DC power (See Art01521).

As the distance from the vehicle battery to the refrigerator increases, the correct AWG wire size also increases. If the wire size is too small for the distance, a voltage drop occurs. The voltage drop decreases the cooling performance of the refrigerator.

1. Norcold recommends that you use the following wire and fuse sizes:

- Measure the distance from the vehicle battery to the refrigerator:
 - If the distance is less than 12 feet, use 16 AWG wire and a 10 Amp fuse.
 - If the distance is between 12 and 20 feet, use 14 AWG wire and a 10 Amp fuse.
 - If the distance is more than 20 feet, use 12 AWG wire and a 10 Amp fuse.
- Twist the lead wires to reduce the radio interference and induction of a high voltage surge from the outside (See Art01518A).



2. Connect the DC power supply wires:



If the DC power supply leads are attached incorrectly, damage to the refrigerator power supply will occur.

- Connect the positive (+) DC power supply lead to the red wire of the refrigerator.
- Connect the negative (-) DC power supply lead to the black wire of the refrigerator.
- Make sure that:
 - Each DC power supply lead is attached to the correct polarity wire of the refrigerator power supply.
 - The chassis or the vehicle frame is not used as one of the conductors.
 - The DC power supply wires including the fuses are routed directly from the battery to the refrigerator.
 - The wire connections must be clean, tight and free of corrosion. If any of these items are not correct:
 - A voltage drop to the refrigerator will occur.
 - The voltage drop will decrease the cooling performance of the refrigerator.



Disconnect the positive (+) DC power supply wire from the battery before you do a “fast charge” of the battery. Failure to disconnect the positive (+) power supply wire from the battery during a “fast charge” can cause damage to the refrigerator or other DC appliances.



RÉFRIGÉRATEURS BITENSION 120/220/240 VOLTS C.A. et 12/24 VOLTS C.C.

MANUEL D'INSTALLATION ET GUIDE DU PROPRIÉTAIRE

**12/24 VCC
seulement**

- DC0788B
- DC0788S
- DCF788B
- DCF788S
- DCR788B
- DCR788S

**120 VCA et
12/24 VCC**

- DE0788B
- DE0788S
- DEF788B
- DEF788S
- DER788B
- DER788S

**220/240 VCA et
12/24 VCC**

- EV0788B
- EV0788S
- EVF788B
- EVF788S
- EVR788B
- EVR788S

Au sujet du service

En cas de besoin d'entretien ou de pièces de rechange, entrer en contact avec le Centre d'entretien Norcold le plus près. Pour trouver un Centre d'entretien agréé près de chez vous, téléphonez au Service après-vente de Norcold au 800-543-1219 ou visitez le site Internet à www.norcold.com

Service après-vente Norcold
Téléphone : 800-543-1219
Télécopieur : 937-497-3183
Site web : www.norcold.com

09/16/2015
No de pièce 632329D
#5490 176 5300

Modèles C.A./C.C. NORCOLD - Garantie limitée de deux ans

Norcold, Inc. offre une garantie de réparation ou de remplacement sur ses réfrigérateurs c.a./c.c. pendant une période de deux (2) ans à compter de la date d'achat.

Restrictions de la garantie

1. La présente garantie est la seule applicable aux réfrigérateurs c.a./c.c. Norcold. Elle ne couvre pas la verrerie, les ampoules électriques et les fusibles remplaçables.
2. La présente garantie ne s'applique pas aux réfrigérateurs ou composants qui ont fait l'objet d'une mauvaise utilisation, d'une installation incorrecte, d'un entretien déficient, de dommages de transport, de recharge de l'unité frigorifique, d'un accident, d'un incendie, d'une réparation inappropriée, d'une intervention intempestive ou d'un usage abusif.
3. Aucune garantie tacite ne peut s'étendre au-delà de deux (2) ans.
4. La restriction de la durée d'une garantie tacite n'étant pas autorisée dans toutes les circonscriptions, la clause restrictive ci-dessus ne s'applique pas à tous les utilisateurs.

Restrictions sur le recours

1. La responsabilité de Norcold en vertu de la présente garantie ou de toute autre garantie se limite à la réparation ou au remplacement (au gré de Norcold) du réfrigérateur ou du composant présentant le défaut.
2. **Norcold décline toute responsabilité aucune pour ce qui est des autres frais y compris, mais sans s'y limiter, frais ou demandes d'indemnité au titre de main-d'oeuvre, perte d'exploitation, temps mort, manque à gagner, perte d'emploi ou tous dommages accessoires ou indirects, quelle qu'en soit l'appellation ou la description.**
3. L'exclusion ou la restriction des dommages accessoires ou indirects n'étant pas autorisée dans toutes les circonscriptions, les clauses restrictives ci-dessus ne s'appliquent pas à tous les utilisateurs.

Pour obtenir des prestations de garantie, appeler le Service à la clientèle de Norcold au (800) 543-1219, ou rendre visite à notre site Web www.norcold.com.

Droits juridiques

La présente garantie confère des droits juridiques particuliers auxquels peuvent s'ajouter d'autres droits variant selon les circonscriptions.

Sens de la prudence

Lire ce manuel dans le détail et bien comprendre les instructions avant d'installer le réfrigérateur.

Être à l'affût de toute situation potentiellement dangereuse lorsque vous apercevez les symboles d'alerte à la sécurité sur le réfrigérateur et dans le manuel. Un mot suit le symbole et indique le niveau d'alerte. Lire attentivement la définition de ces symboles pour bien comprendre leur signification. Ils sont là pour votre sécurité.



Ce symbole indique un risque, qui, si ignoré, peut entraîner des blessures sérieuses, voire la mort ou des dégâts matériels importants.



Ce symbole indique un risque, qui, si ignoré, peut entraîner des blessures ou des dégâts matériels.

No de modèle et no de série

Les numéros de modèle et de série sont indiqués sur une étiquette située à l'intérieur du réfrigérateur du côté gauche et sur la couverture de ce manuel.

Utilisation

Ce réfrigérateur est conçu à des fins de réfrigération et fonctionne sur source d'alimentation c.a. 120/220/240 V ou c.c. 12/24 V à condition d'être installé conformément aux consignes de ce manuel. La tension d'alimentation correcte est située sur le plat périodique.

Le c.a. est la source d'alimentation principale. Si une source de c.a. n'est pas disponible, un relais intégré fait automatiquement passer le réfrigérateur à une source d'alimentation en c.c. Si le réfrigérateur fonctionne avec une source d'alimentation en c.c. et qu'une alimentation en c.a. devient disponible, le relais fait passer le réfrigérateur à la source de c.a.



Ne jamais entreposer de matière combustible près du réfrigérateur. Le non respect de cette mise en garde crée un risque et de plus diminue la circulation d'air autour du système de refroidissement, ce qui diminue la performance de l'appareil.

Ne pas toucher à l'évaporateur ni à d'autres parties métalliques à l'intérieur de l'armoire du réfrigérateur avec des mains humides car elles peuvent coller aux pièces. Toujours couper l'alimentation électrique avant d'effectuer toute opération d'entretien courant sur l'appareil. Toujours utiliser les services d'un technicien qualifié.

Ne stockez pas de substances explosives telles que les aérosols avec propulseur inflammables dans cet appareil.

Ne touchez pas l'évaporateur ou d'autres parties métalliques à l'intérieur du réfrigérateur avec les mains mouillées, car ils peuvent geler au réfrigérateur.

Toujours débrancher toutes les sources du réfrigérateur de puissance lorsque vous faites l'entretien de routine. Avoir un travail de service fait que par un technicien qualifié.



Ce réfrigérateur peut être utilisé par des enfants âgés de 8 ans et plus et des personnes avec des capacités ou le manque d'expérience et de connaissances physiques, sensorielles ou mentales réduites si elles ont été supervisées ou instructions concernant l'utilisation du réfrigérateur d'une manière sûre et comprend les risques encourus .

Les enfants ne doivent pas jouer avec l'appareil.

Nettoyage et entretien de l'utilisateur ne doit pas être fait par les enfants sans surveillance.

Évitez d'utiliser un liquide inflammable près du réfrigérateur. Les contacts électriques peuvent prendre feu.

Quand il ya une fuite de gaz utilitaire autour de vous, ne touchez pas au réfrigérateur ou sa fiche de câble. Ouvrez les fenêtres et maintenir une bonne ventilation. Ne pas le faire peut conduire à un incendie ou une brûlure et de l'explosion.

Ne pas utiliser le réfrigérateur si son câble d'alimentation est endommagé ou la prise de son bouchon est lâche. A défaut de se conformer peut entraîner un choc électrique, un court ou un incendie.

La température du réfrigérateur est contrôlée par un thermostat, qui se trouve à l'intérieur. Un voyant s'allume sur le panneau lorsque le réfrigérateur est allumé. La position «1» correspond à la température la moins froide et la position «5» à la température la plus froide. Pour une meilleure efficacité, changer la position du thermostat suivant le type de nourriture dans l'appareil et la température ambiante. Si le réfrigérateur n'est pas utilisé pendant une longue période, placer le thermostat à la position «OFF» (position à fond vers la gauche).

Dispositif de protection

Le réfrigérateur est muni d'un dispositif de protection de surintensité pour éviter l'endommagement du convertisseur en cas d'inversion de polarité.

Si le réfrigérateur ne fonctionne pas et que le voyant intérieur ne s'allume pas, vérifier le fusible situé sur le côté du boîtier de l'onduleur ainsi que la polarité de l'alimentation en c.c. Si le problème persiste, il provient peut-être de l'onduleur. Faire réviser le réfrigérateur par un centre de service après-vente agréé Norcold.

Nettoyage et dégivrage

Dégivrage

Il est tout à fait normal que du givre se forme à la surface de la plaque de réfrigération à l'intérieur du réfrigérateur. L'accumulation du givre diminue la capacité de refroidissement du réfrigérateur. Dégivrer le réfrigérateur suivant besoin.



Ne vous servez pas les objets pointus, d'un séchoir à cheveux, d'un pistolet à air chaud, etc. pour dégivrer le réfrigérateur. Vous risquez d'endommager l'intérieur de l'appareil.

- Placer le thermostat sur «OFF».
- Sortir toutes les denrées alimentaires du réfrigérateur.



Le dégivrage du réfrigérateur augmente la quantité d'eau à l'intérieur de l'appareil.

- Placer des chiffons secs à l'intérieur pour absorber l'eau en excès.
- Placer des bacs d'eau chaude à l'intérieur du compartiment de congélation jusqu'à ce que le givre disparaisse.
- Vider l'égouttoir.
- Sortir les chiffons mouillés et sécher l'intérieur du réfrigérateur.

- Placer le thermostat à la position désirée.
- Remettre l'égouttoir en place et toutes les denrées alimentaires à l'intérieur du réfrigérateur.

Nettoyage

Il est suggéré de nettoyer le réfrigérateur après l'avoir dégivré.

Nettoyer l'intérieur du réfrigérateur à chaque fois que cela est nécessaire pour éviter les odeurs.

- Sortir toutes les denrées alimentaires du réfrigérateur.



Ne pas utiliser de produits de nettoyage abrasifs ni de tampon à récurer car ils peuvent endommager l'intérieur du réfrigérateur.

- Nettoyer l'intérieur du réfrigérateur et le joint de porte avec une solution d'eau tiède et de produit à vaisselle liquide.
- Rincer à l'eau claire et sécher.
- Une fois le nettoyage terminé, enduire le côté articulation du joint d'une légère couche de pétrolatum pour conserver la souplesse du joint et éviter le décollement.

Entretien des batteries

Un refroidissement trop fort vide les batteries

Lorsque la température ambiante est entre 70 et 90°F, laisser le thermostat à la position «3» pour éviter de vider la batterie. Placer le thermostat sur «5» (le plus froid) pour faire des cubes de glace ou conserver des surgelés.

Entretien des batteries

La capacité de refroidissement du réfrigérateur diminuera si la batterie n'est pas suffisamment chargée.



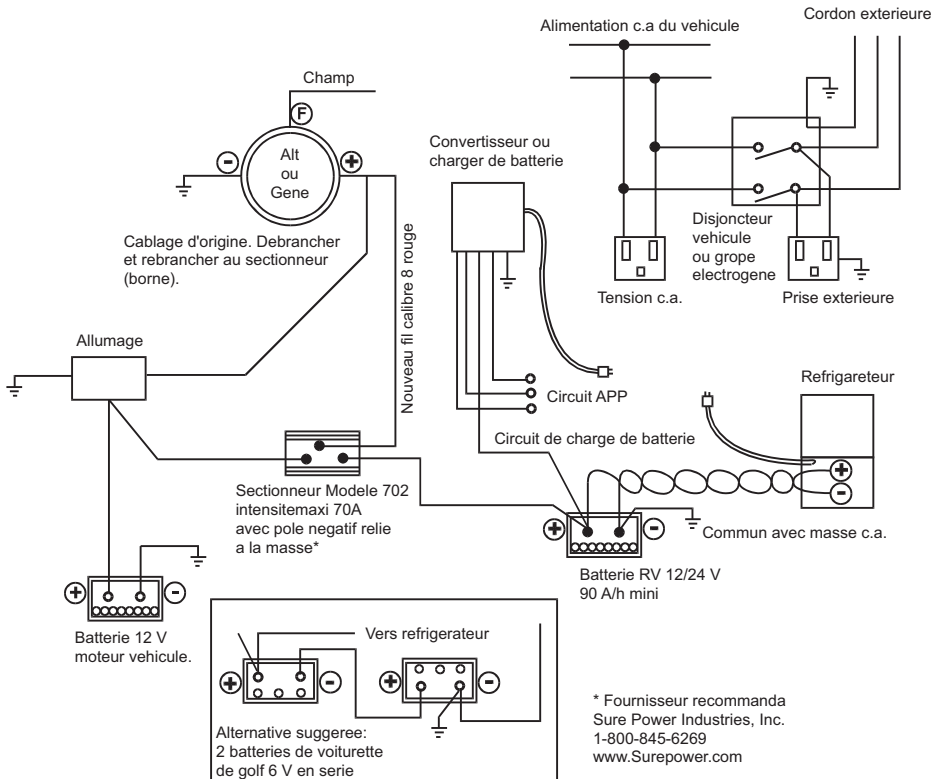
N'utiliser de «chargeur rapide» que lorsque le thermostat est placé sur «OFF».

Vérifier la charge de la batterie

La densité d'une batterie à pleine charge est comprise entre 1,260 et 1,280. La lecture la plus juste est lorsque le réfrigérateur est «ON» et que le chargeur de batterie est «OFF». Charger la batterie lorsque la densité de l'électrolyte est inférieure à 1200.

Schéma de câblage

Le schéma de câblage ci-dessous correspond au câblage recommandé pour le branchement d'une batterie double (schéma Art01516).



Mise au rebut



Procéder comme suit avant de jeter un réfrigérateur usagé pour empêcher qu'un enfant ne puisse s'enfermer dedans :

- Retirer les portes du réfrigérateur.
- Laisser les clayettes en place, de telle sorte qu'il soit plus difficile pour les enfants de grimper à l'intérieur du réfrigérateur.
- Ce réfrigérateur porte ce symbole. Cela signifie que les réfrigérateurs électriques et électroniques usagés ne doivent pas être mélangés avec les ordures ménagères.



Si vous souhaitez disposer de ce réfrigérateur, contactez vos autorités locales et demander la bonne méthode d'élimination, ou de revendeur pour plus d'informations sur la façon de le faire conformément à la applicable consignes d'élimination.

- Cyclopentane est utilisé dans l'isolation. Les gaz dans le matériau d'isolation nécessitent une procédure d'élimination spéciale. S'il vous plaît contacter les autorités locales en ce qui concerne l'élimination écologique du réfrigérateur.

Installation

Le réfrigérateur doit être positionné et fixé de façon sécuritaire sur une surface rigide dans le véhicule ou navire.

S'assurer que l'alimentation c.c. est raccordée correctement avant de placer le réfrigérateur dans l'ouverture.

Mesurer l'ouverture pour s'assurer qu'il y a des dégagements suffisants pour installer le réfrigérateur. Il n'est pas nécessaire d'avoir de l'espace supplémentaire d'isolation autour du réfrigérateur.

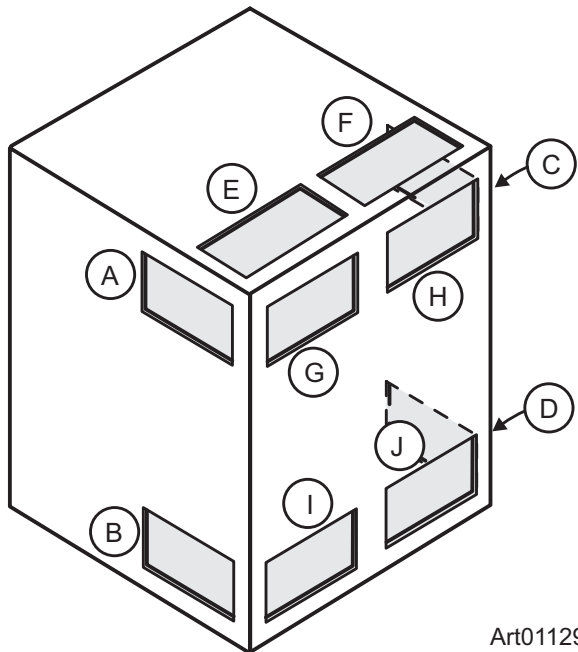
S'assurer que le réfrigérateur n'est pas exposé directement aux rayons de soleil ni près d'un radiateur, cuisinière ou autre appareil ménager dégageant de la chaleur. Éviter d'installer le réfrigérateur à proximité de canalisations d'eau chaude ou de conduites d'air chaud.

Le réfrigérateur a été nettoyé à fond avant expédition de l'usine. Il est toutefois recommandé de nettoyer l'intérieur avant de s'en servir. Nettoyer l'intérieur avec un chiffon et de l'eau tiède, puis sécher avec un chiffon sec.

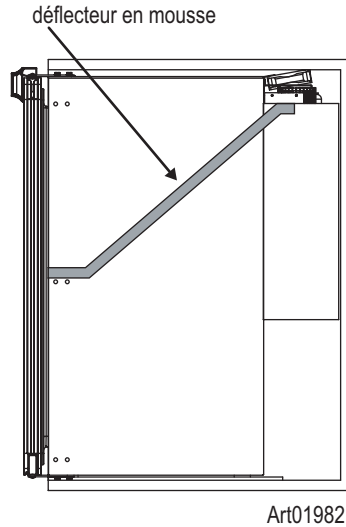
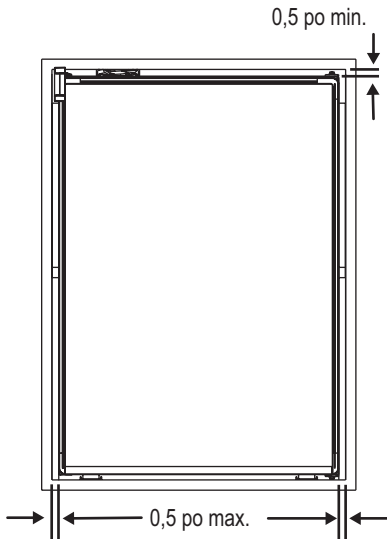
Ventilation

Il est nécessaire d'avoir une ventilation (circulation d'air) suffisante autour du condenseur (situé à l'arrière) pour que le réfrigérateur fonctionne de façon satisfaisante. Utiliser l'une des combinaisons suivantes pour les orifices d'aération : A-D, A-I, A-J, B-C, B-F, B-H, C-D, C-I, C-J, D-F, D-H, F-I, F-J, G-I, G-J, H-I, H-J (Voir Art01129 - pour 0788 modèles seulement).

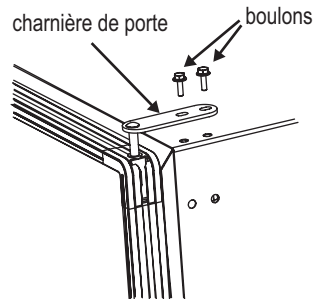
Pour obtenir l'aération minimum requise, chaque orifice d'aération doit être d'au moins 50 pouces carrés. Ces orifices devraient être plus grands pour obtenir la meilleure aération possible. En effet, plus le volume d'air circulant sur le condensateur du réfrigérateur est important, plus le fonctionnement du réfrigérateur est efficace.



Art01129

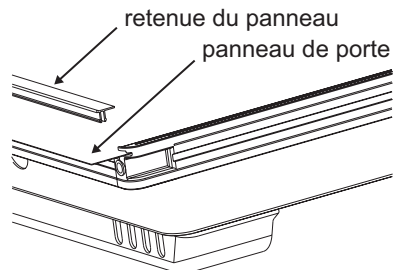


Ne pas enlever les rails situés à la partie inférieure de l'armoire du réfrigérateur. Ces rails fournissent l'espace nécessaire pour la circulation de l'air sous le réfrigérateur. Assurez-vous que la circulation d'air autour du réfrigérateur est suffisante, car dans le cas contraire, cela peut affecter la durée de vie de l'appareil, peut entraîner un refroidissement insuffisant, un fonctionnement ininterrompu de l'appareil, une décharge accélérée des batteries et c'est un motif valable d'annulation de la garantie.



Art01983

Si le réfrigérateur est installé dans un endroit non aéré, séparer l'air entrant et l'air évacué à l'aide d'un déflecteur. Il est possible de fabriquer un déflecteur à l'aide de mousse de 0,5 pouce d'épaisseur (Voir Art01982 - pour R788 et F788 modes seulement).



Art01985

Options

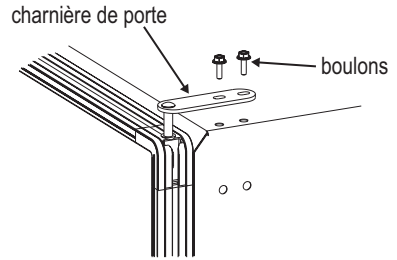
Installation d'un panneau décoratif de porte



L'épaisseur du panneau décoratif ne doit pas dépasser 4 mm.

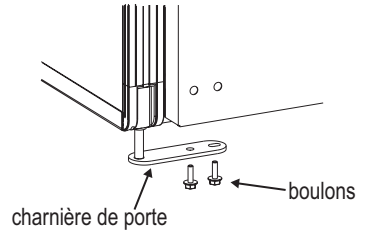
1. Retirer la porte du réfrigérateur en enlevant les deux (2) boulons qui fixent la charnière de porte au haut du réfrigérateur (voir Art01983).

2. Soulever la porte pour la retirer de la charnière inférieure.
3. Faire levier sur la retenue du panneau pour la faire sortir de la fente (voir Art01985).
4. Sortir avec précaution le panneau de la porte.
5. Mettre en place un nouveau panneau dans la rainure de la porte.
6. Placer la retenue du panneau à son emplacement d'origine et l'enfoncer pour la remettre en place dans la fente.
7. Remettre la porte en place et serrer les deux (2) boulons.



Inversion du sens d'ouverture de la porte

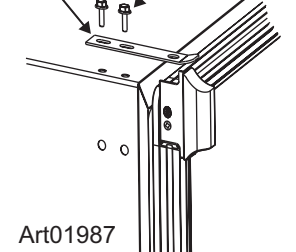
1. Déposer la porte du réfrigérateur en enlevant les deux (2) boulons de fixation de la charnière de porte à la partie inférieure du réfrigérateur (Voir Art01986).
2. Enlever les deux (2) boulons de fixation de la charnière supérieure.
3. Enlever le boulon de fixation de la platine de verrouillage de la porte à la partie supérieure du réfrigérateur (Voir Art01987).
4. Déposer la charnière supérieure et la platine de verrouillage de la porte du réfrigérateur.
5. Fixer la charnière supérieure et la platine de verrouillage de la porte de l'autre côté du réfrigérateur.
6. Déplacer le loquet vers le côté opposé de la porte (voir Art01988) :
 - Retirer la vis qui fixe la poignée du loquet et la goupille du loquet.
 - Retirer de la porte la goupille de la poignée du loquet ainsi que le ressort à enroulement.
 - Placer la vis d'arrêt du côté opposé de la goupille du loquet.
 - Assembler le ressort à enroulement et la goupille du loquet dans le côté opposé de la porte.



Art01986

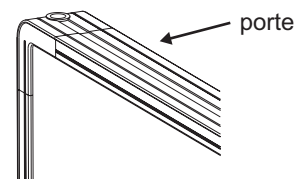
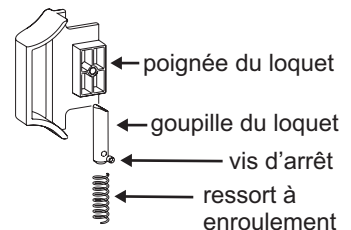
plaque du loquet de porte

boulons



Art01987

vis



Art01988

- Fixer la poignée à la goupille du loquet.
- S'assurer que l'extrémité inclinée de la goupille du loquet est orientée vers le haut.

7. Poser la porte sur le réfrigérateur et s'assurer que le joint est bien étanche.

8. Installer et serrer les deux (2) vis de fixation de la charnière à la partie inférieure de réfrigérateur.

Raccordement de l'alimentation c.a. 120/220/240 V



Brancher le(s) cordon(s) d'alimentation c.a. uniquement dans une prise à trois lames avec masse.

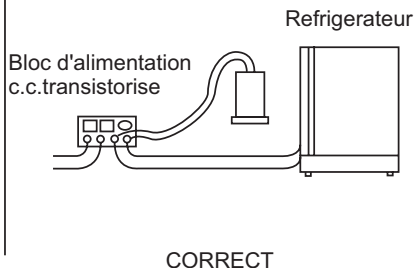
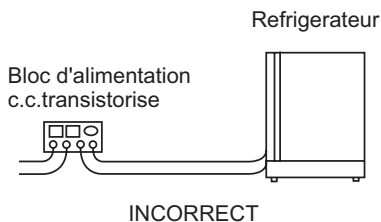
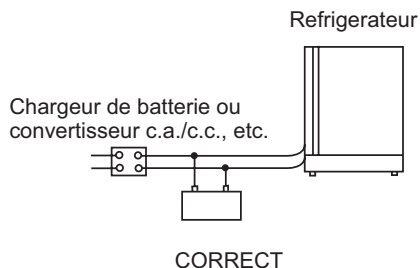
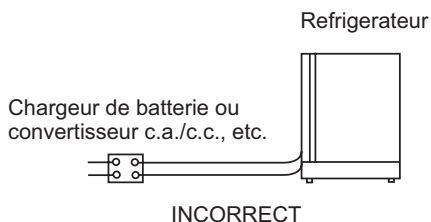
Ne pas retirer le contact de terre rond des cordons d'alimentation c.a. Ne pas utiliser un adaptateur à deux lames ou une rallonge avec les cordons d'alimentation c.a. L'utilisation du réfrigérateur sans masse appropriée peut causer des chocs électriques dangereux ou la mort en cas de contact avec les parties métalliques du réfrigérateur.

Brancher le cordon d'alimentation c.a. dans une prise à trois lames avec masse.

Raccordement de l'alimentation c.c. 12/24 V



Raccorder le réfrigérateur directement à la batterie. Compte tenu de la génération d'impulsions haute tension pouvant endommager les transistors du convertisseur, il ne faut raccorder aucun autre appareil électrique, commutateurs ou fils de connexion avec le câblage du réfrigérateur entre le réfrigérateur et la batterie.



Art01521-FR

Lors de l'utilisation d'un convertisseur ou d'un chargeur de batterie, s'assurer qu'ils sont raccordés en parallèle entre la batterie et le réfrigérateur. Ne pas utiliser de convertisseur ou de chargeur de batterie pour fournir l'alimentation c.c. directement au réfrigérateur car ces deux appareils ne fournissent pas de courant c.c. filtré (Voir Art01521).

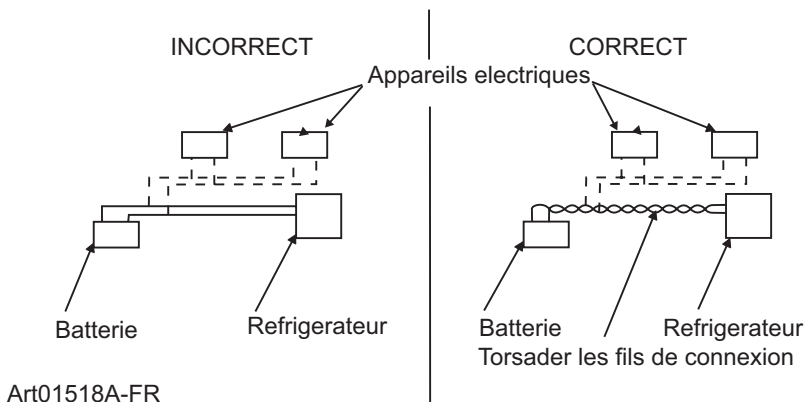
Le calibre du fil utilisé augmente avec la distance entre le réfrigérateur et la batterie. Si le fil est de section trop faible pour la distance, il se produira une chute de tension et cette chute de tension diminue la capacité de refroidissement du réfrigérateur.

1. Norcold recommande de procéder de la façon suivante :

Mesurer la distance entre la batterie et le réfrigérateur :

- Si la distance est inférieure à 12 pieds, utiliser un fil de calibre 16 et un fusible de 10 A.
- Si la distance est comprise entre 12 et 20 pieds, utiliser un fil de calibre 14 et un fusible de 10 A.
- Si la distance est supérieure à 20 pieds, utiliser un fil de calibre 12 et un fusible de 10 A.

Torsader les fils de connexion pour réduire le brouillage radioélectrique et les pointes de haute tension de l'extérieur (Voir Art01518A).



2. Brancher les fils d'alimentation c.c. :



Une mauvaise connexion des fils d'alimentation c.c. endommagera le bloc d'alimentation du réfrigérateur.

- Brancher le fil d'alimentation c.c. positif (+) au fil rouge du réfrigérateur.
- Brancher le fil d'alimentation c.c. négatif (-) au fil noir du réfrigérateur.
- S'assurer que :
 - Chaque fil d'alimentation c.c. est connecté au fil du bloc d'alimentation du réfrigérateur de polarité correspondante.
 - Le châssis du réfrigérateur ou celui du véhicule n'est pas utilisé comme conducteur.
- Les fils d'alimentation c.c., avec les fusibles, sont acheminés directement de la batterie au réfrigérateur.
- Les connexions de fil doivent être propres, bien assurées et exemptes de corrosion. Si l'un de ces aspects laisse à désirer :
 - Le réfrigérateur subira une chute de tension.
 - La chute de tension réduit les performances du réfrigérateur.



Débrancher le fil d'alimentation c.c. positif (+) de la batterie avant d'effectuer une « charge rapide » de celle-ci, sous peine de causer des dégâts au réfrigérateur ou à tout autre appareil c.c.