

CABIN & COCKPIT ENTRY HARDWARE

MM Talon Entry Door Lock

DOOR THICKNESS RANGE: 20.5 - 38mm (13/16" - 1 1/2")

The Talon sliding-door lock is designed for aluminium extrusions, wood, or fiberglass doors.

It offers:

- All marine-grade materials for superior corrosion resistance
- Positive-grip latch mechanism keeps doors closed under even extreme conditions
- Locks can be matched to other Southco deck latches. Please contact Southco Marine for further information

Available Options:

Locking:

Keylocking and non-keylocking versions.
 Non-keylocking features an exterior lock override.
 Non-keylocking version includes forend for wooden door applications.

Finish:

A variety of finish options includes Anodized Aluminum, Powder Coated Black Aluminum, Chrome and Brass.

Accessories:

High-seas Handle:

Improved grip with a nice design for heavier doors.

Ramp for Top Stop:

Prevents the Top stop from interfering with the rail when sliding the door.

Top Stop:

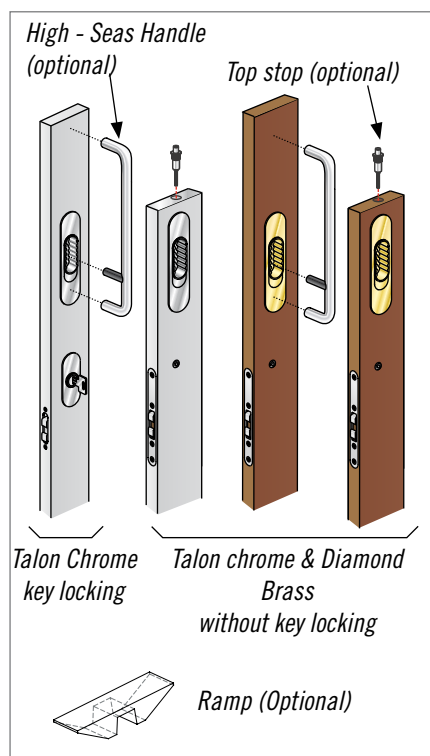
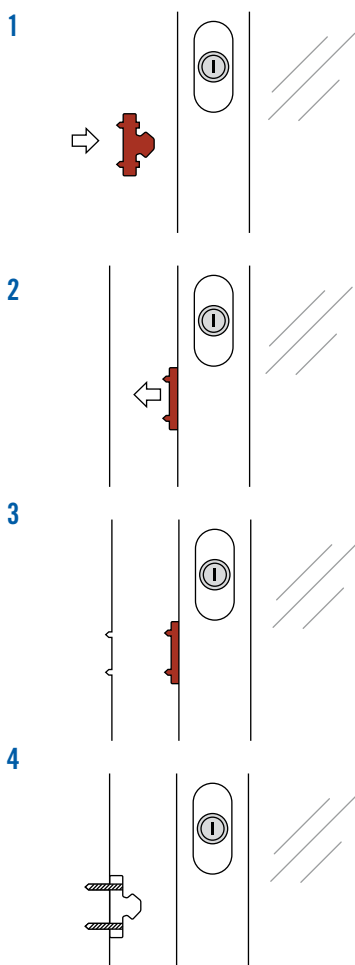
Stop that holds door at any open position.

Mounting tool for striker:

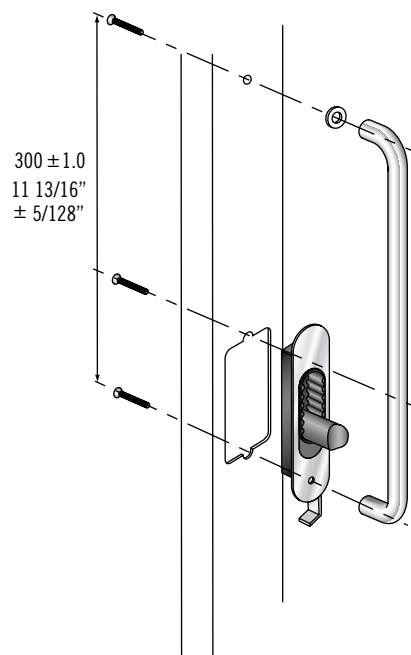
Use to align door and striker.

For spare keys please contact Southco Marine

How to use the mounting tool



High Seas Handle Installation



TALON ACCESSORIES	
Mounting tool for striker	MM-90-103-41
Top Stop	MM-7520
High-seas handles for chrome Talon	MM-7660
High-seas handles for black Talon	MM-7683
Ramp for Top Stop	MM-90-201-60

TALON PART NUMBERS				
Without Key locking* (egress opening from outside)	Door thickness range			
	20.5 - 23 mm (13/16 - 29/32")	22.5 - 27 mm (7/8 - 1 1/16")	27 - 34.5 mm (1 1/16 - 1 3/8")	28.5 - 38 mm (1 1/8 - 1 1/2")
Anodized aluminum	MM-01-100-60	MM-01-101-60	MM-01-102-60	MM-01-103-60
Powder coated black aluminum	MM-01-100-50	MM-01-101-50	MM-01-102-50	MM-01-103-50
Chrome	MM-01-100-10	MM-01-101-10	MM-01-102-10	MM-01-103-10
Diamond brass	MM-01-100-40	MM-01-101-40	MM-01-102-40	MM-01-103-40
Key locking				
Anodized aluminum	MM-01-110-60	MM-01-111-60	MM-01-112-60	MM-01-113-60
Powder coated black aluminum	MM-01-110-50	MM-01-111-50	MM-01-112-50	MM-01-113-50
Chrome	MM-01-110-10	MM-01-111-10	MM-01-112-10	MM-01-113-10
Diamond brass	MM-01-110-40	MM-01-111-40	MM-01-112-40	MM-01-113-40

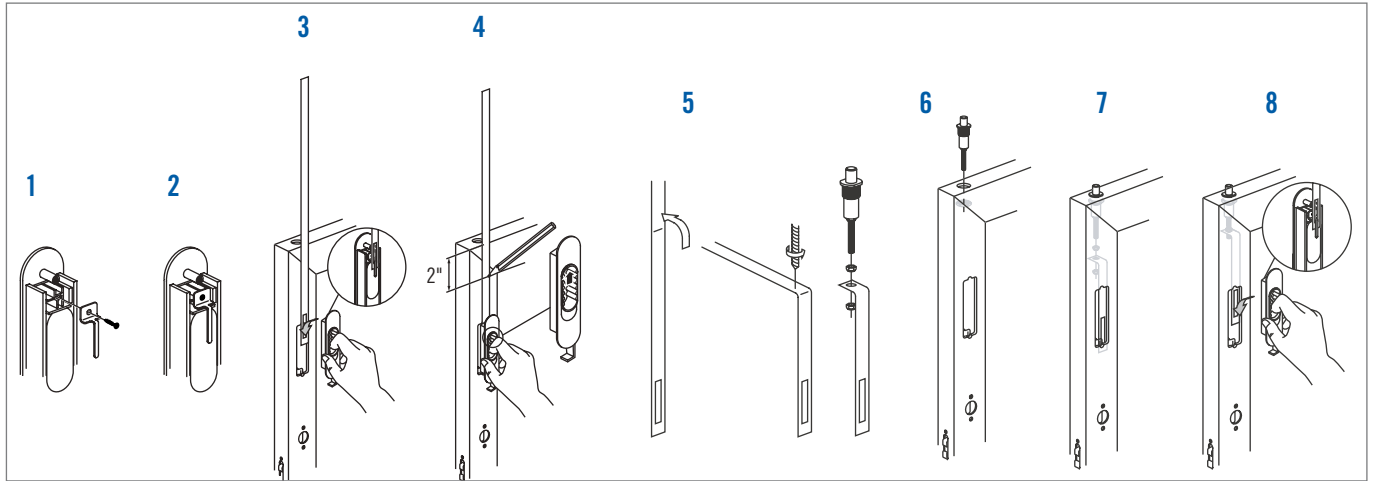


CABIN & COCKPIT ENTRY HARDWARE

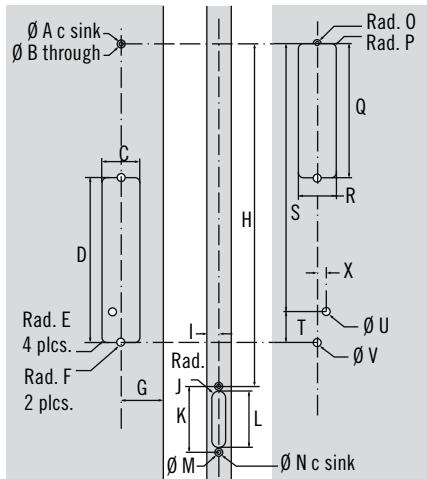
MM Talon Entry Door Lock without Key Lock

A

Top Stop Installation

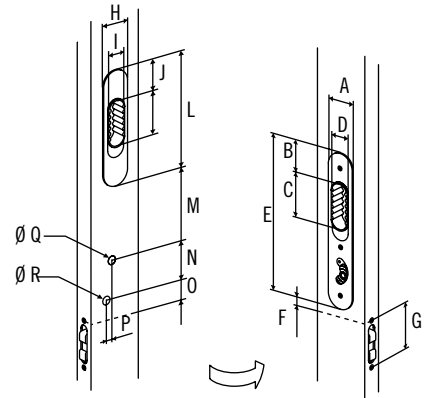


Panel Preparation



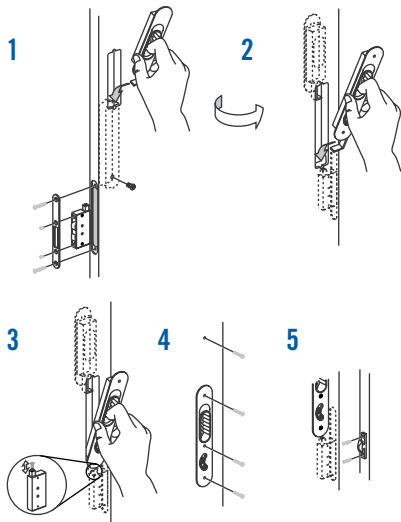
U = (Option for egress opening)

	Imperial		Metric
	Nominal	Decimal	
A	5/16	.311	7.9
B	5/32	.156	4
C	1 3/16	1.187	30.2
D	6 5/32	6.142	156
E	5/32	.156	4
F	5/32	.156	4
G	min. 53/64	.827	21
	max. 1 33/64	1.516	38.5
H	11 7/16	11.437	290.5
I	min. 11/32	.354	9
	max. 19/32	.591	15
J	7/32	.211	5.5
K	2 7/32	2.205	56
L	min. 1 3/4	1.77	45
	max. 1 13/16	1.81	46
M	5/32	.156	4
N	5/16	.311	7.9
O	5/32	.156	4
P	5/32	.156	4
Q	4 7/32	4.213	107
R	1 3/16	1.187	30.2
S	9 25/64	9.39	238.5
T	31/32	.965	24.5
U	1/4	.25	6.35
V	1/4	.25	6.35
X	9/32	.276	7



	Imperial		Metric
	Nominal	Decimal	
A	1 13/32	1.41	36
B	1 1/2	1.49	38
C	2 3/16	2.18	55.5
D	3/4	.75	19
E	7 9/16	7.56	192
F	3/8	.374	9.5
G	2 7/32	2.224	56.5
H	1 13/32	1.41	36
I	3/4	.75	19
J	1 1/2	1.49	38
K	2 3/16	2.18	55.5
L	5 5/8	5.63	143
M	3 7/16	3.445	87.5
N	15/16	.945	24
O	1 1/32	1.024	26
P	9/32	.276	7
Q	1/4	.250	6.35
R	1/4	.250	6.35

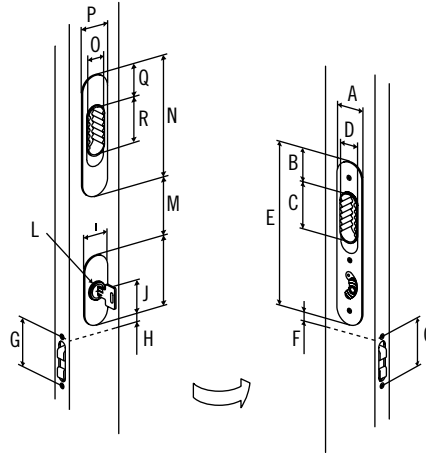
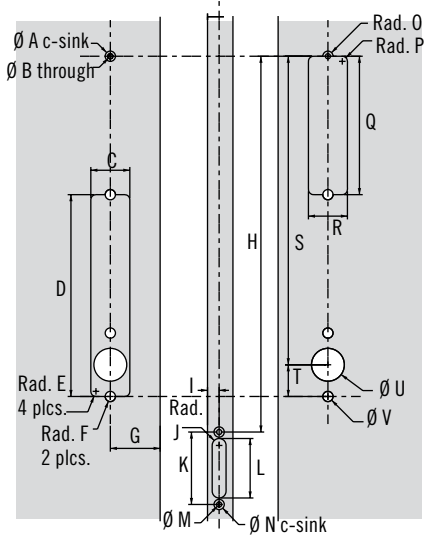
Without Key-lock Installation



CABIN & COCKPIT ENTRY HARDWARE

MM Talon Entry Door Lock, Key Locking

Panel Preparation



	Imperial		Metric
	Nominal	Decimal	
A	1 13/32	1.41	36
B	1 1/2	1.49	38
C	2 3/16	2.18	55.5
D	3/4	.75	19
E	7 9/16	7.56	192
F	3/8	.374	9.5
G	2 7/32	2.224	56.5
H	3/8	.374	9.5
I	1 19/64	1.299	33
J	1 41/64	1.634	41.5
K	3 7/32	3.228	82
L	7/8	.87	22
M	2 55/64	2.85	72.5
N	5 5/8	5.63	143
O	3/4	.75	19
P	1 13/32	1.41	36
Q	1 1/2	1.49	38
R	2 3/16	2.18	55.5

	Imperial		Metric
	Nominal	Decimal	
A	5/16	.311	7.9
B	5/32	.156	4
C	1 3/16	1.187	30.2
D	6 5/32	6.142	156
E	5/32	.156	4
F	5/32	.156	4
G	min. 53/64	.827	21
G	max. 1 33/64	1.516	38.5
H	11 7/16	11.437	290.5
I	min. 11/32	.354	9
I	max. 19/32	.591	15
J	7/32	.211	5.5
K	2 7/32	2.205	56
L	min. 1 3/4	1.77	45
L	max. 11 3/16	1.81	46
M	5/32	.156	4
N	5/16	.311	7.9
O	5/32	.156	4
P	5/32	.156	4
Q	4 7/32	4.213	107
R	1 3/16	1.187	30.2
S	9 25/64	9.39	238.5
T	31/32	.965	24.5
U	1	1	25.4
V	5/16	.314	8

Key-locking Installation

