

**southco**

PROPRIETARY ITEM - EXCEPT FOR USES EXPRESSLY GRANTED IN WRITING, INFORMATION DISCLOSED HEREIN IS UNCLASSIFIED AND OTHER RIGHTS ARE RESERVED BY SOUTHCO, INC.

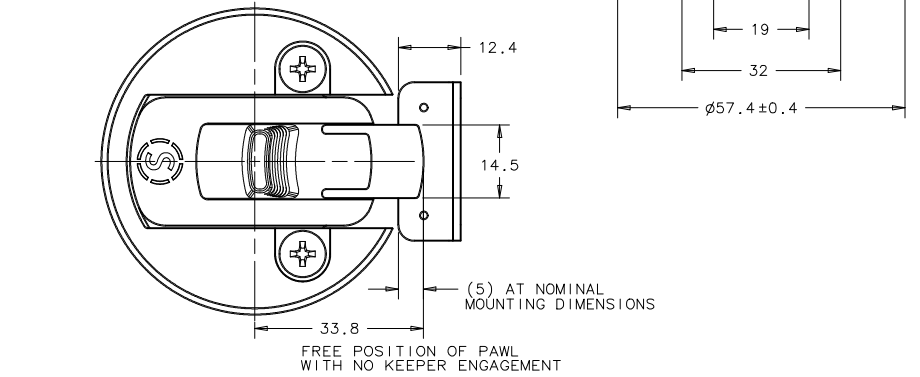
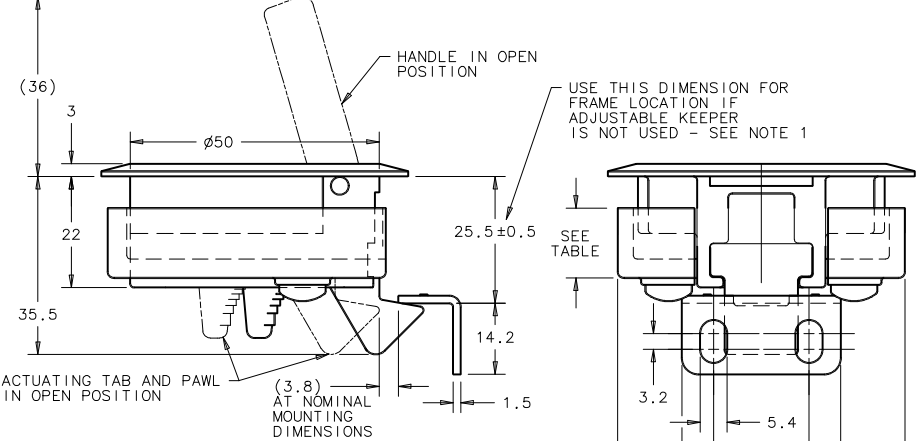
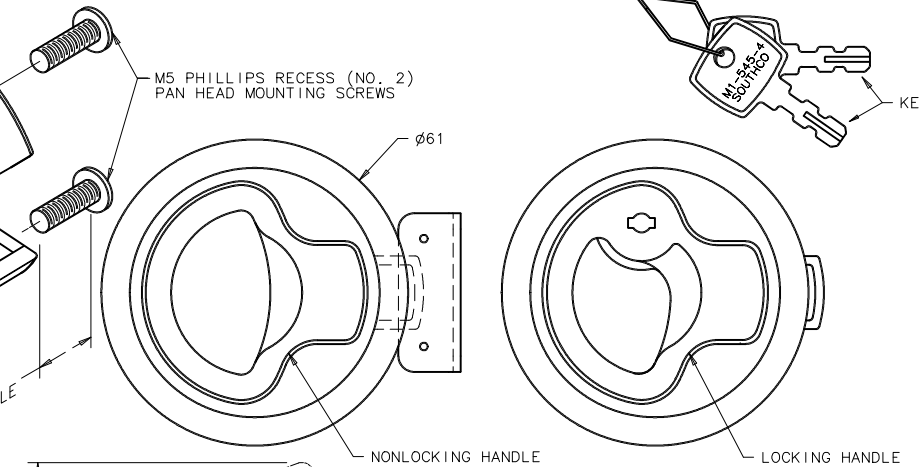
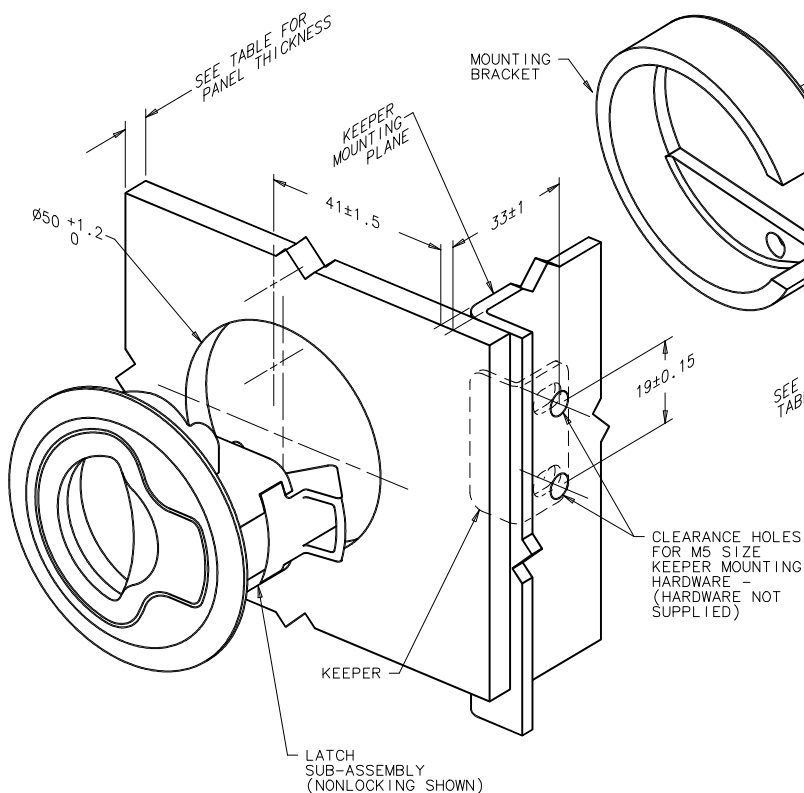
**SOUTHCO FLUSH-PULL™ LATCH METRIC ASSEMBLY**

DATE: 05SEP2001  
DRAWN: AJH  
CHKD SCALE: 1:1

DRAWING NUMBER: J-M1-61-8  
MILLIMETERS

REV	DATE	DRAWN/CHKD	DESCRIPTION	ITEM	PART NUMBER	MATERIAL	FINISH	REMARKS
E	08DEC2005	AAB/MDY	PRN: P2005-1759	LATCH ASSEMBLY	MT-XX-8	-	-	LOCKABLE
F	29MAR2007	JWJ/RRL	PRN: P2007-0494	LATCH ASSEMBLY	MT-6X-8	-	-	NONLOCKING
G	28JAN2019	CM5/CTG	PRN: P2019-0059	LATCH SUBASSEMBLY	-	SEE NOTE A	SEE NOTE A	
				MOUNTING BRACKET	-	SEE NOTE A	SEE NOTE A	
				KEEPER	-	300 SERIES STAINLESS STEEL	PASSIVATED	
				MOUNTING SCREWS (2)	-	300 SERIES STAINLESS STEEL	PASSIVATED	

ALL DIMENSIONS WITHOUT TOLERANCES ARE FOR REFERENCE ONLY.  
A3 PAPER SIZE  
THIRD ANGLE PROJECTION



- NOTES:
- A. MATERIAL AND FINISH:  
 -HOUSING, HANDLE, PAWL, LOCKPLUG, AND MOUNTING BRACKETS: CF-8M STAINLESS STEEL (NOMINAL CAST EQUIVALENT OF 316 STAINLESS STEEL), ELECTROPOLISHED  
 -PIN: 302 STAINLESS STEEL, PASSIVATED  
 -KEYS, SPRINGS, KEEPER, LOCK PLUG RETAINING RING AND SCREWS: 301 STAINLESS STEEL, PASSIVATED  
 -LOCK PLUG O-RING: BUNA-N, NATURAL
- B. APPLICATION:  
 1. IF ADJUSTABLE KEEPER IS NOT USED, EDGE OF KEEPER SURFACE WHICH PAWL SLIDES AGAINST MUST HAVE 0.5 RADIUS MIN.  
 2. MAX. TIGHTENING TORQUE ON MOUNTING SCREWS IS 2.8 Nm.

PART NUMBER	PANEL THICKNESS	MOUNTING BRACKET HEIGHT	MOUNTING SCREW LENGTH
M1-41-8	2 TO 7	15.1	16
M1-61-8	2 TO 7	15.1	16
M1-42-8	7 TO 12	15.1	20
M1-62-8	7 TO 12	15.1	20
M1-43-8	12 TO 17	5.1	16
M1-63-8	12 TO 17	5.1	16
M1-44-8	17 TO 22	5.1	20
M1-64-8	17 TO 22	5.1	20