



SUPERCLAMPS

Jubilee® Superclamps are manufactured in mild steel zinc plated, all 304 stainless steel and all 316 stainless steel and the latter are predominantly suited for applications where high corrosion resistance is required. These powerful clamps are ideal for marine and offshore oil and gas applications, as well as the food and chemicals industries.

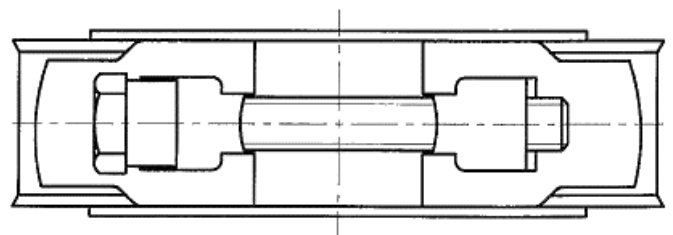


These clamps can also be used in place of SAE J1508 type TB or T-Bolt style clamps.

Available from size 17mm, with size 64mm and above offering the highest tightening torques with 8.8 high tensile bolts allowing an impressive maximum recommended torque of 25 Nm. Naturally with the smaller clamps using a smaller bolt the torques are lower, but even so, the torques are impressive by comparison to alternatives for the same size range.

Superclamps are particularly suited for delivery and suction hoses requiring a very tight seal and agricultural applications, waste water extraction, mining, quarrying or in other sectors where a heavy-duty clamp is required.

- Single nut adjustment
- Smooth band protects hose
- Bridge piece ensures 360° seal
- Solid trunnion maximises torque
- Assembly by manual or automatic tools
- Chromium VI free finish on all materials



Available in:-

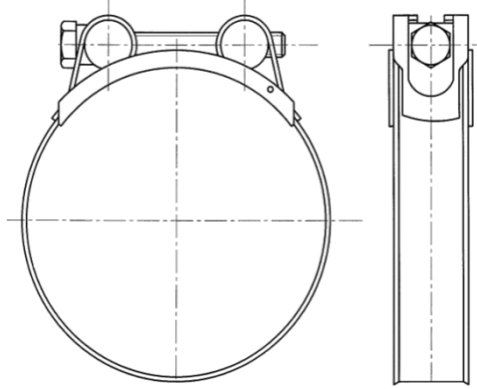
Mild Steel Zinc Plated

304 Stainless Steel

316 Stainless Steel

SUPERCLAMPS

Mild Steel Zinc Plated:-



| Part No. | Adjustment mm | Band Width mm | Band Thickness mm | Recommended Torque Nm | Maximum Torque Nm | Screw Head mm | Part No. |
|----------|---------------|---------------|-------------------|-----------------------|-------------------|---------------|----------|
| JSC019MS | 17-19 | 18.0 | 0.6 | 4.5 | 6.0 | 8 | JSC019MS |
| JSC022MS | 20-22 | 18.0 | 0.6 | 4.5 | 6.0 | 8 | JSC022MS |
| JSC025MS | 23-25 | 18.0 | 0.6 | 4.5 | 6.0 | 8 | JSC025MS |
| JSC028MS | 26-28 | 18.0 | 0.6 | 4.5 | 6.0 | 8 | JSC028MS |
| JSC031MS | 29-31 | 18.0 | 0.6 | 4.5 | 6.0 | 8 | JSC031MS |
| JSC035MS | 32-35 | 20.0 | 1.0 | 6.0 | 8.0 | 10 | JSC035MS |
| JSC039MS | 36-39 | 20.0 | 1.0 | 6.0 | 8.0 | 10 | JSC039MS |
| JSC043MS | 40-43 | 20.0 | 1.0 | 6.0 | 8.0 | 10 | JSC043MS |
| JSC047MS | 44-47 | 20.0 | 1.0 | 6.0 | 8.0 | 10 | JSC047MS |
| JSC051MS | 48-51 | 20.0 | 1.0 | 6.0 | 8.0 | 10 | JSC051MS |
| JSC055MS | 52-55 | 20.0 | 1.0 | 6.0 | 8.0 | 10 | JSC055MS |
| JSC059MS | 56-59 | 20.0 | 1.0 | 6.0 | 8.0 | 10 | JSC059MS |
| JSC063MS | 60-63 | 20.0 | 1.0 | 6.0 | 8.0 | 10 | JSC063MS |
| JSC067MS | 64-67 | 25.0 | 1.5 | 18.5 | 25.0 | 13 | JSC067MS |
| JSC073MS | 68-73 | 25.0 | 1.5 | 18.5 | 25.0 | 13 | JSC073MS |
| JSC079MS | 74-79 | 25.0 | 1.5 | 18.5 | 25.0 | 13 | JSC079MS |
| JSC085MS | 80-85 | 25.0 | 1.5 | 18.5 | 25.0 | 13 | JSC085MS |
| JSC091MS | 86-91 | 25.0 | 1.5 | 18.5 | 25.0 | 13 | JSC091MS |
| JSC097MS | 92-97 | 25.0 | 1.5 | 18.5 | 25.0 | 13 | JSC097MS |
| JSC103MS | 98-103 | 25.0 | 1.5 | 18.5 | 25.0 | 13 | JSC103MS |
| JSC112MS | 104-112 | 25.0 | 1.5 | 18.5 | 25.0 | 13 | JSC112MS |
| JSC121MS | 113-121 | 25.0 | 1.5 | 18.5 | 25.0 | 13 | JSC121MS |
| JSC130MS | 122-130 | 25.0 | 1.5 | 18.5 | 25.0 | 13 | JSC130MS |
| JSC139MS | 131-139 | 25.0 | 1.5 | 18.5 | 25.0 | 13 | JSC139MS |
| JSC148MS | 140-148 | 25.0 | 1.5 | 18.5 | 25.0 | 13 | JSC148MS |
| JSC161MS | 149-161 | 25.0 | 1.8 | 18.5 | 25.0 | 13 | JSC161MS |
| JSC174MS | 162-174 | 25.0 | 1.8 | 18.5 | 25.0 | 13 | JSC174MS |
| JSC187MS | 175-187 | 25.0 | 1.8 | 18.5 | 25.0 | 13 | JSC187MS |
| JSC200MS | 188-200 | 25.0 | 1.8 | 18.5 | 25.0 | 13 | JSC200MS |
| JSC213MS | 201-213 | 25.0 | 1.8 | 18.5 | 25.0 | 13 | JSC213MS |
| JSC226MS | 214-226 | 25.0 | 1.8 | 18.5 | 25.0 | 13 | JSC226MS |
| JSC239MS | 227-239 | 25.0 | 1.8 | 18.5 | 25.0 | 13 | JSC239MS |
| JSC255MS | 240-255 | 25.0 | 1.8 | 18.5 | 25.0 | 13 | JSC252MS |
| JSC265MS | 253-265 | 25.0 | 1.8 | 18.5 | 25.0 | 13 | JSC265MS |

Quality Assurance:- DIN
3017

Corrosion Resistance: 168 hours NSS Test

Fastening: A/F screw – see table

Industry Recommendations:- 

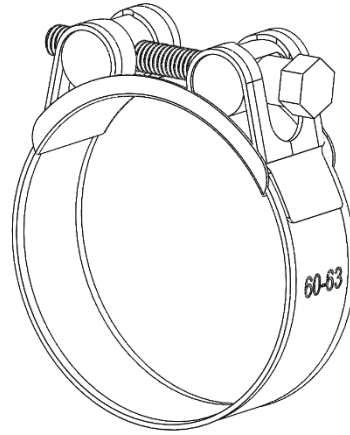
SAE INTERNATIONAL SAE J1508 Surface Vehicle Standards-Hose Clamp Specifications, Type TB is referenced in the quality control methods for the design/manufacture of the Jubilee Superclamps Range.

Mild Steel Zinc Plated

The finest hose clip
in the world



SUPERCLAMPS 304 Stainless Steel:-



| Part No. | Adjustment mm | Band Width mm | Band Thickness mm | Recommended Torque Nm | Maximum Torque Nm | Screw Head mm | Part No. |
|----------|---------------|---------------|-------------------|-----------------------|-------------------|---------------|----------|
| JSC019SS | 17-19 | 18.0 | 0.6 | 4.5 | 6.0 | 8 | JSC019SS |
| JSC022SS | 20-22 | 18.0 | 0.6 | 4.5 | 6.0 | 8 | JSC022SS |
| JSC025SS | 23-25 | 18.0 | 0.6 | 4.5 | 6.0 | 8 | JSC025SS |
| JSC028SS | 26-28 | 18.0 | 0.6 | 4.5 | 6.0 | 8 | JSC028SS |
| JSC031SS | 29-31 | 18.0 | 0.6 | 4.5 | 6.0 | 8 | JSC031SS |
| JSC035SS | 32-35 | 20.0 | 1.0 | 6.0 | 8.0 | 10 | JSC035SS |
| JSC039SS | 36-39 | 20.0 | 1.0 | 6.0 | 8.0 | 10 | JSC039SS |
| JSC043SS | 40-43 | 20.0 | 1.0 | 6.0 | 8.0 | 10 | JSC043SS |
| JSC047SS | 44-47 | 20.0 | 1.0 | 6.0 | 8.0 | 10 | JSC047SS |
| JSC051SS | 48-51 | 20.0 | 1.0 | 6.0 | 8.0 | 10 | JSC051SS |
| JSC055SS | 52-55 | 20.0 | 1.0 | 6.0 | 8.0 | 10 | JSC055SS |
| JSC059SS | 56-59 | 20.0 | 1.0 | 6.0 | 8.0 | 10 | JSC059SS |
| JSC063SS | 60-63 | 20.0 | 1.0 | 6.0 | 8.0 | 10 | JSC063SS |
| JSC067SS | 64-67 | 25.0 | 1.2 | 18.5 | 25.0 | 13 | JSC067SS |
| JSC073SS | 68-73 | 25.0 | 1.2 | 18.5 | 25.0 | 13 | JSC073SS |
| JSC079SS | 74-79 | 25.0 | 1.2 | 18.5 | 25.0 | 13 | JSC079SS |
| JSC085SS | 80-85 | 25.0 | 1.2 | 18.5 | 25.0 | 13 | JSC085SS |
| JSC091SS | 86-91 | 25.0 | 1.2 | 18.5 | 25.0 | 13 | JSC091SS |
| JSC097SS | 92-97 | 25.0 | 1.2 | 18.5 | 25.0 | 13 | JSC097SS |
| JSC103SS | 98-103 | 25.0 | 1.2 | 18.5 | 25.0 | 13 | JSC103SS |
| JSC112SS | 104-112 | 25.0 | 1.2 | 18.5 | 25.0 | 13 | JSC112SS |
| JSC121SS | 113-121 | 25.0 | 1.2 | 18.5 | 25.0 | 13 | JSC121SS |
| JSC130SS | 122-130 | 25.0 | 1.2 | 18.5 | 25.0 | 13 | JSC130SS |
| JSC139SS | 131-139 | 25.0 | 1.2 | 18.5 | 25.0 | 13 | JSC139SS |
| JSC148SS | 140-148 | 25.0 | 1.2 | 18.5 | 25.0 | 13 | JSC148SS |
| JSC161SS | 149-161 | 25.0 | 1.5 | 18.5 | 25.0 | 13 | JSC161SS |
| JSC174SS | 162-174 | 25.0 | 1.5 | 18.5 | 25.0 | 13 | JSC174SS |
| JSC187SS | 175-187 | 25.0 | 1.5 | 18.5 | 25.0 | 13 | JSC187SS |
| JSC200SS | 188-200 | 25.0 | 1.5 | 18.5 | 25.0 | 13 | JSC200SS |
| JSC213SS | 201-213 | 25.0 | 1.5 | 18.5 | 25.0 | 13 | JSC213SS |
| JSC226SS | 214-226 | 25.0 | 1.5 | 18.5 | 25.0 | 13 | JSC226SS |
| JSC239SS | 227-239 | 25.0 | 1.5 | 18.5 | 25.0 | 13 | JSC239SS |
| JSC255SS | 240-255 | 25.0 | 1.5 | 18.5 | 25.0 | 13 | JSC255SS |
| JSC265SS | 253-265 | 25.0 | 1.5 | 18.5 | 25.0 | 13 | JSC265SS |

Quality Assurance:- **DIN**
3017

Corrosion Resistance: 1000 hours NSS Test

Fastening: A/F screw – see table

Industry Recommendations:-

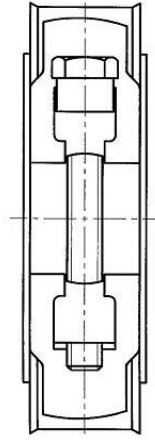


SAE J1508 Surface Vehicle Standards-Hose Clamp Specifications, Type TB is referenced in the quality control methods for the design/manufacture of the Jubilee Superclamps Range.

304 Stainless Steel

SUPERCLAMPS

316 Stainless Steel (HNSS):-



| Part No. | Adjustment mm | Band Width mm | Band Thickness mm | Recommended Torque Nm | Maximum Torque Nm | Screw Head mm | Part No. |
|-------------|---------------|---------------|-------------------|-----------------------|-------------------|---------------|-------------|
| JSC019SS316 | 17-19 | 18.0 | 0.6 | 4.5 | 6.0 | 8 | JSC019SS316 |
| JSC022SS316 | 20-22 | 18.0 | 0.6 | 4.5 | 6.0 | 8 | JSC022SS316 |
| JSC025SS316 | 23-25 | 18.0 | 0.6 | 4.5 | 6.0 | 8 | JSC025SS316 |
| JSC028SS316 | 26-28 | 18.0 | 0.6 | 4.5 | 6.0 | 8 | JSC028SS316 |
| JSC031SS316 | 29-31 | 18.0 | 0.6 | 4.5 | 6.0 | 8 | JSC031SS316 |
| JSC035SS316 | 32-35 | 20.0 | 1.0 | 6.0 | 8.0 | 10 | JSC035SS316 |
| JSC039SS316 | 36-39 | 20.0 | 1.0 | 6.0 | 8.0 | 10 | JSC039SS316 |
| JSC043SS316 | 40-43 | 20.0 | 1.0 | 6.0 | 8.0 | 10 | JSC043SS316 |
| JSC047SS316 | 44-47 | 20.0 | 1.0 | 6.0 | 8.0 | 10 | JSC047SS316 |
| JSC051SS316 | 48-51 | 20.0 | 1.0 | 6.0 | 8.0 | 10 | JSC051SS316 |
| JSC055SS316 | 52-55 | 20.0 | 1.0 | 6.0 | 8.0 | 10 | JSC055SS316 |
| JSC059SS316 | 56-59 | 20.0 | 1.0 | 6.0 | 8.0 | 10 | JSC059SS316 |
| JSC063SS316 | 60-63 | 20.0 | 1.0 | 6.0 | 8.0 | 10 | JSC063SS316 |
| JSC067SS316 | 64-67 | 25.0 | 1.2 | 18.5 | 25.0 | 13 | JSC067SS316 |
| JSC073SS316 | 68-73 | 25.0 | 1.2 | 18.5 | 25.0 | 13 | JSC073SS316 |
| JSC079SS316 | 74-79 | 25.0 | 1.2 | 18.5 | 25.0 | 13 | JSC079SS316 |
| JSC085SS316 | 80-85 | 25.0 | 1.2 | 18.5 | 25.0 | 13 | JSC085SS316 |
| JSC091SS316 | 86-91 | 25.0 | 1.2 | 18.5 | 25.0 | 13 | JSC091SS316 |
| JSC097SS316 | 92-97 | 25.0 | 1.2 | 18.5 | 25.0 | 13 | JSC097SS316 |
| JSC103SS316 | 98-103 | 25.0 | 1.2 | 18.5 | 25.0 | 13 | JSC103SS316 |
| JSC112SS316 | 104-112 | 25.0 | 1.2 | 18.5 | 25.0 | 13 | JSC112SS316 |
| JSC121SS316 | 113-121 | 25.0 | 1.2 | 18.5 | 25.0 | 13 | JSC121SS316 |
| JSC130SS316 | 122-130 | 25.0 | 1.2 | 18.5 | 25.0 | 13 | JSC130SS316 |
| JSC139SS316 | 131-139 | 25.0 | 1.2 | 18.5 | 25.0 | 13 | JSC139SS316 |
| JSC148SS316 | 140-148 | 25.0 | 1.2 | 18.5 | 25.0 | 13 | JSC148SS316 |
| JSC161SS316 | 149-161 | 25.0 | 1.5 | 18.5 | 25.0 | 13 | JSC161SS316 |
| JSC174SS316 | 162-174 | 25.0 | 1.5 | 18.5 | 25.0 | 13 | JSC174SS316 |
| JSC187SS316 | 175-187 | 25.0 | 1.5 | 18.5 | 25.0 | 13 | JSC187SS316 |
| JSC200SS316 | 188-200 | 25.0 | 1.5 | 18.5 | 25.0 | 13 | JSC200SS316 |
| JSC213SS316 | 201-213 | 25.0 | 1.5 | 18.5 | 25.0 | 13 | JSC213SS316 |
| JSC226SS316 | 214-226 | 25.0 | 1.5 | 18.5 | 25.0 | 13 | JSC226SS316 |
| JSC239SS316 | 227-239 | 25.0 | 1.5 | 18.5 | 25.0 | 13 | JSC239SS316 |
| JSC255SS316 | 240-255 | 25.0 | 1.5 | 18.5 | 25.0 | 13 | JSC255SS316 |
| JSC265SS316 | 253-265 | 25.0 | 1.5 | 18.5 | 25.0 | 13 | JSC265SS316 |

Quality Assurance:- DIN
3017

Corrosion Resistance: 2000 hours NSS Test

Fastening: A/F screw – see table

Industry Recommendations:-



SAE J1508 Surface Vehicle Standards-Hose Clamp Specifications, Type TB is referenced in the quality control methods for the design/manufacture of the Jubilee Superclamps Range.

316 Stainless Steel

The finest hose clip
in the world