

**GARELICK™**

**MARINE PRODUCTS COLLECTION 2021**



# GARELICK™

## 68 YEARS OF INNOVATION

---

Our people take pride in the work they do. The ownership and pride our employees have for the products they produce and our company's six decades of experience in metal fabrication and upholstery combine to produce the highest quality, most innovative products in the recreational marine industry. Our reputation for innovation and skilled craftsmanship is well-known as we provide pleasure boaters with marine products that give them the best value for their dollar year after year.

The results of our efforts are proudly displayed in this catalog. You will find Garelick™ products as original equipment on some of the best boats built today and at better marine stores everywhere.



# WE BUILD THE BEST, FOR THE BEST.

These brands are among the best Boat Builders in the Recreational Marine Industry. They specify Garelick Products as original components aboard their boats.



## SEAT HARDWARE COLLECTION

Seat Hardware Overview.....	04
How it Works:	
Seat Hardware Systems.....	05
Pedestals and Systems.....	06
Slides and Swivels.....	10



## TABLE HARDWARE COLLECTION

Table Hardware Overview.....	16
Table Hardware.....	17



## BOARDING LADDERS COLLECTION

Boarding Ladders Overview.....	24
Boarding Ladders.....	25
Footrests.....	38



## CUSTOM SEATING AND UPHOLSTERY

Custom Seating and Upholstery Overview.....	40
Services.....	41
Capabilities and Engineering.....	41

## SEAT HARDWARE COLLECTION

Garelick's premium quality and craftsmanship provides boat builders with a wide variety of seating hardware that will match the stylish design expected by boaters. Our seating hardware is suited for all boat types – from Jon Boats to Mega Yachts, and is rock solid and wobble-free. Garelick is sure to have the right seat system for your boat.

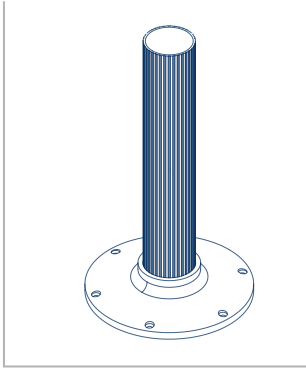


Photo: Courtesy of  
Sea Ray Boats

# HOW IT WORKS: SEAT HARDWARE SYSTEMS

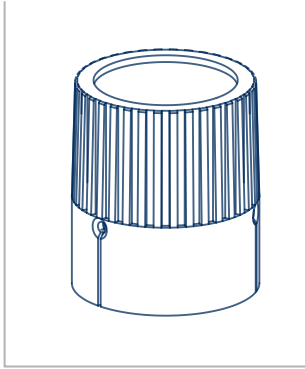
## FOUR PRIMARY COMPONENTS

The Garelick Seat Hardware System is comprised of four basic components: **1** Pedestal, **2** Delrin Bearing Cup, **3** Seat Swivel (Spider) and **4** Seat Slide. Though not all Seat Hardware solutions utilize all four of these components, all of the products can be combined to match your specific needs.



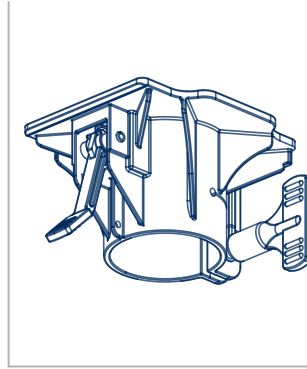
### **1** PEDESTAL

The foundation of the seating system, the pedestal attaches to the deck and supports all related componentry. Available in fixed or adjustable heights in fixed or adjustable heights and two finishes.



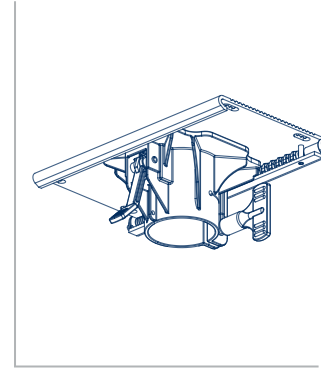
### **2** DELRIN CUP

Available in several different formats to accommodate all types of Garelick 2.875" pedestals, bearing cups act as a non-rotating, greaseless indexable locking mechanism.



### **3** SEAT SWIVEL (SPIDER)

Three different spider styles provide varying levels of rotational adjustability and integration with both the delrin bearing cups or bearing rings and optional seat slides.



### **4** SEAT SLIDE

Two high performance Seat Slides are available for use with Millennium Seat Hardware systems. These components offer smooth, reliable fore and aft seat adjustment.



Photos: Courtesy of Sea Ray Boats

## 2.875" GAS RISE MILLENNIUM PEDESTAL SYSTEM



75637

- ▶ A complete system featuring lift, slide and swivel
- ▶ Touch actuated lever, gas rise with 85 lbs. of lift force
- ▶ Millennium Slide & Swivel (21000-80)
- ▶ 360° rotation allows user to lock every 10°

PART NUMBER	Adjustable Height	Stanchion Tube Dia.	Base Diameter	Swivel	Slide	Prop 65*
75636-G	Low 12"– 15" (30-38cm)	2.875" (7cm)	9.25" (23cm)	•	•	*
75637	Medium 14"– 18" (36-46cm)	2.875" (7cm)	9.25" (23cm)	•	•	*

## 2.875" ADJUSTABLE HEIGHT FRICTION LOCK PEDESTAL



75436

- ▶ Seat raises or lowers, locks at desired height
- ▶ Anodized protective finish helps prevent saltwater corrosion and weathering
- ▶ Accepts Seat Slides: 22000, 22001, 75080, 75081, 75082, 75083, 75091
- ▶ Accepts Swivels: 99023, 99036

PART NUMBER	Adjustable Height	Stanchion Tube Diameter	Base Diameter	Smooth	Ribbed	Prop 65*
75436-G	Low 12"– 16" (30-41cm)	2.875" (7cm)	9" (23cm)	•	—	*
75437-G	Medium 18"– 23" (46-58cm)	2.875" (7cm)	9" (23cm)	•	—	*

## 2.875" FIXED HEIGHT PEDESTAL



75430

- ▶ Provides solid base of support for a variety of seat hardware
- ▶ Accepts Garelick fore and aft seat slides and 360° swivel spider combinations
- ▶ Accepts Seat Slides: 22000, 75080, 75081, 75082, 75083, 22001, 75091
- ▶ Accepts Swivels: 99023, 99036
- ▶ 75080, 75081, 75091 must be used in conjunction with 99023 or 99036

PART NUMBER	Overall Height	Stanchion Tube Diameter	Base Diameter	Smooth	Ribbed	Prop 65*
75431	9" (23cm)	2.875" (7cm)	9.25" (23cm)	•	—	*
75430	12" (30cm)	2.875" (7cm)	9.25" (23cm)	•	—	*
75415	15" (38cm)	2.875" (7cm)	9.25" (23cm)	•	—	*
75432	18" (46cm)	2.875" (7cm)	9.25" (23cm)	•	—	*
75433	24" (61cm)	2.875" (7cm)	9.25" (23cm)	•	—	*
75434	30" (76cm)	2.875" (7cm)	9.25" (23cm)	•	—	*

\* **WARNING:** Cancer and Reproductive Harm - [www.P65warnings.ca.gov](http://www.P65warnings.ca.gov) - See page 45 to learn more about California Proposition 65

2.875" FIXED HEIGHT PEDESTAL



75530

- ▶ Provides solid base of support for a variety of seat hardware
- ▶ Accepts Garelick fore and aft seat slides and 360° swivel spider combinations
- ▶ Accepts Seat Slides: 21000, 75080, 75081, 75082, 75083
- ▶ Accepts Swivels: 99023, 99026
- ▶ 75080, 75081, 75091 must be used in conjunction with 99023 or 99036

PART NUMBER	Overall Height	Stanchion Tube Diameter	Base Diameter	Smooth	Ribbed	Prop 65*
75531	9" (23cm)	2.875" (7cm)	9.25" (23cm)	—	•	*
75530	12" (30cm)	2.875" (7cm)	9.25" (23cm)	—	•	*
75515	15" (38cm)	2.875" (7cm)	9.25" (23cm)	—	•	*
75532	18" (46cm)	2.875" (7cm)	9.25" (23cm)	—	•	*
75533	24" (61cm)	2.875" (7cm)	9.25" (23cm)	—	•	*
75534	30" (76cm)	2.875" (7cm)	9.25" (23cm)	—	•	*

2.875" ADJUSTABLE HEIGHT POSITIVE PIN LOCK PEDESTAL



75635

- ▶ Pin secures base at specific height in 1" increments
- ▶ Stainless steel lock pin locates securing hole easily
- ▶ Satin anodized protective finish helps prevent saltwater corrosion and weathering
- ▶ Accepts Seat Slides: 20000, 20001, 21001, 75080, 75081, 75082, 75083, 75091
- ▶ Accepts Swivels: 99023, 99026
- ▶ 75080, 75081, 75091 must be used in conjunction with 99023 or 99036

PART NUMBER	Adjustable Height	Stanchion Tube Diameter	Base Diameter	Smooth	Ribbed	Prop 65*
75635	12"– 17" (30-43cm)	2.875" (7cm)	9.25" (23cm)	—	•	*
75628-G	18"– 23" (46-58cm)	2.875" (7cm)	9.25" (23cm)	—	•	*

2.875" ADJUSTABLE HEIGHT STANDARD FRICTION LOCK PEDESTAL



75535

- ▶ Seat raises or lowers, locks at desired height
- ▶ Anodized protective finish helps prevent saltwater corrosion and weathering
- ▶ Accepts Seat Slides: 20000, 20001, 21001, 75080, 75081, 75082, 75083, 75091
- ▶ Accepts Swivels: 99023, 99026
- ▶ 75080, 75081, 75091 must be used in conjunction with 99023 or 99036

PART NUMBER	Adjustable Height	Stanchion Tube Diameter	Base Diameter	Smooth	Ribbed	Prop 65*
75535	12"– 17" (30-43cm)	2.875" (7cm)	9" (23cm)	—	•	*
75528	18"– 23" (46-58cm)	2.875" (7cm)	9" (23cm)	—	•	*

\* **WARNING:** Cancer and Reproductive Harm - [www.P65warnings.ca.gov](http://www.P65warnings.ca.gov) - See page 45 to learn more about California Proposition 65

## 2.875" LOW PROFILE PEDESTAL



75404

- ▶ One piece casting for mounting seats as low as possible (4.75" Overall Height)
- ▶ Accepts Seat Slides: 22000, 75082, 75083, 22001, 75080, 75081, 75091
- ▶ Accepts Swivels: 99023, 99036

PART NUMBER	Overall Height	Stanchion Tube Diameter	Base Diameter	Swivel	Slide	Smooth	Ribbed	Prop 65*
75404	4.75" (12cm)	2.875" (7cm)	9.25" (23cm)	•	•	—	—	*

## 2.875" ADJUSTABLE HEIGHT PEDESTAL SYSTEM



75035

- ▶ Seat raises or lowers, locks at desired height
- ▶ 4 prong spider swivels 360° and locks
- ▶ Available anodized finish which helps prevent saltwater corrosion and weathering

PART NUMBER	Adjustable Height	Stanchion Tube Diameter	Base Diameter	Swivel	Slide	Smooth Polished	Smooth Anodized	Prop 65*
75035	Low 12"–17" (30-43cm)	2.875" (7cm)	9.25" (23cm)	•	—	•	—	*
75028	Medium 18"–24" (46-61cm)	2.875" (7cm)	9.25" (23cm)	•	—	•	—	*
75235-G	Low 12"–17" (30-43cm)	2.875" (7cm)	9.25" (23cm)	•	—	—	•	*
75228	Medium 18"–24" (46-61cm)	2.875" (7cm)	9.25" (23cm)	•	—	—	•	*

## 2.875" FIXED HEIGHT PEDESTAL SYSTEM



75030

- ▶ Mounts seat securely
- ▶ 4 prong spider swivels 360° and locks positively

PART NUMBER	Overall Height	Stanchion Tube Diameter	Base Diameter	Swivel	Slide	Smooth Polished	Smooth Anodized	Prop 65*
75031	9" (23cm)	2.875" (7cm)	9.25" (23cm)	•	—	•	•	*
75030	12" (30cm)	2.875" (7cm)	9.25" (23cm)	•	—	•	•	*
75032	18" (46cm)	2.875" (7cm)	9.25" (23cm)	•	—	•	•	*
75033	24" (61cm)	2.875" (7cm)	9.25" (23cm)	•	—	•	•	*
75034	30" (76cm)	2.875" (7cm)	9.25" (23cm)	•	—	•	•	*

\* **WARNING:** Cancer and Reproductive Harm - [www.P65warnings.ca.gov](http://www.P65warnings.ca.gov) - See page 45 to learn more about California Proposition 65



3.5" FIXED HEIGHT PEDESTAL



78515

- ▶ Meets ABYC, H-31 Type A Standards
- ▶ Polished and anodized aluminum components
- ▶ Designed to protect against saltwater corrosion and weathering
- ▶ Accepts Seat Slides: 22000, 22001, 75080, 75081, 75082, 75083, 75091
- ▶ Accepts Swivels: 99023, 99036
- ▶ 75080, 75081, 75091 must be used in conjunction with 99023 or 99036

PART NUMBER	Fixed Height	Stanchion Tube Diameter	Base Diameter	Swivel	Slide	Smooth Polished	Smooth Anodized	Prop 65*
78515	15" (38cm)	3.5" (9cm)	10.5" (27cm)	•	•	•	•	*
78524	24" (61cm)	3.5" (9cm)	10.5" (27cm)	•	•	•	•	*
78530	30" (76cm)	3.5" (9cm)	10.5" (27cm)	•	•	•	•	*

PART NUMBER	Description	Diameter	Prop 65*
75054	Detachable Solid Stanchion Plate (for above models)	10.5" (27cm)	*

4.0" GAS RISE COMMANDER PEDESTAL SYSTEM



78318  
COMMANDER II

- ▶ Commander System includes 360° swivel rotation, fore and aft slide, and gas spring lift
- ▶ Robustly designed to match the scale, precision and response of the highest quality yachts available on the market today.
- ▶ Gas rise lift system with 112 lbs. of lift force

PART NUMBER	Adjustable Height	Stanchion Tube Diameter	Base Diameter	Swivel	Slide	Smooth	Prop 65*
78318	14.375" – 18.375" (37-47cm)	4" (10cm)	12" (30cm)	•	•	•	*
78325	21.125" – 25.125" (54-64cm)	4" (10cm)	12" (30cm)	•	•	•	*

\* **WARNING:** Cancer and Reproductive Harm - [www.P65warnings.ca.gov](http://www.P65warnings.ca.gov) - See page 45 to learn more about California Proposition 65

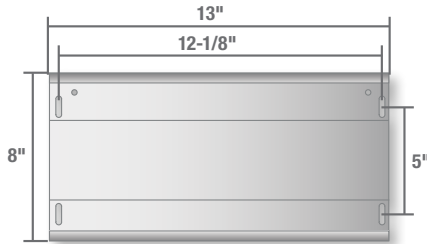
# SLIDES AND SWIVELS

## MILLENNIUM SERIES SEAT SLIDES



20000/21000

### STANDARD SEAT SLIDE HOLE PATTERN



- ▶ Low profile design allows 360° of rotation and 6" of smooth, wobble-free fore and aft travel
- ▶ Positive Lock Spider – rotates 360°, internal cup engages in 10° increments for positive stop lock
- ▶ Meets ABYC-H31, Type A & Garelick performance standards
- ▶ Adds .5" (1.25cm) to Pedestal height.

PART NUMBER	Description	Swivel	Slide	Smooth	Ribbed	Prop 65*
20000	Positive Lock Slider & Spider Combo Left Hand Lever Plain Finish	•	•	—	•	*
20001	Positive Lock Slider & Spider Combo Right Hand Lever Plain Finish	•	•	—	•	*
21000	Positive Lock Slider & Spider Combo Left Hand Lever Silver Powder Coat Finish	•	•	—	•	*
21001	Positive Lock Slider & Spider Combo Right Hand Lever Silver Powder Coat Finish	•	•	—	•	*
99027	Internal Delrin Bearing Cup for 20000, 20001, 21000, 21001, 99026	—	—	—	—	*
22000	Positive Lock Slider & Spider Combo Left Hand Lever Silver Powder Coat Finish	•	•	•	—	*
22001	Positive Lock Slider & Spider Combo Right Hand Lever Silver Powder Coat Finish	•	•	•	—	*
99127	Internal Delrin Bearing Cup for 22000, 22001, 99036	—	—	—	—	*

## MILLENNIUM SERIES SEAT SWIVEL



99026/99036

- ▶ Low profile design allows 360° of rotation
- ▶ 360° rotation is regulated by dual locking devices - lift the positive lock lever to rotate. Drop the lever to lock in place in 10° increments.
- ▶ Meets ABYC-H31, Type A & Garelick performance standards

PART NUMBER	Description	Swivel	Slide	Smooth	Ribbed	Prop 65*
99026	360° Positive Lock Swivel Spider Mount Silver Powder Coat Finish	•	—	—	•	*
99027	Internal Delrin Bearing Cup for 20000, 20001, 21000, 21001, 99026	•	—	—	•	*
99036	360° Positive Lock Swivel Spider Mount Silver Powder Coat Finish	•	—	•	—	*
99127	Internal Delrin Bearing Cup for 22000, 22001, 99036	•	—	•	—	*

\* **WARNING:** Cancer and Reproductive Harm - [www.P65warnings.ca.gov](http://www.P65warnings.ca.gov) - See page 45 to learn more about California Proposition 65

## STANDARD SERIES SEAT SLIDE/SWIVEL



75083

- ▶ Provides smooth fore and aft travel and 360° seat rotation
- ▶ Adds comfort and stability to any swivel boat seat
- ▶ Compatible with any 2 7/8" (7cm) diameter tube
- ▶ Meets ABYC-H31, Type A & Garelick performance standards
- ▶ Anodized aluminum for protection from corrosion and weathering
- ▶ Adds 1.625" (4cm) to height. Hole Pattern: 5" x 12" (13x30cm)

PART NUMBER	Dimensions	Fore and Aft Travel	Swivel	Slide	Prop 65*
75082	8.5" W x 8" L (22cm x 20cm)	6" (15cm)	•	•	*
75083	8.5" W x 13" L (22cm x 33cm) Required on Roto molded Seat Models (Includes 75081 & 99023)	7" (18cm)	•	•	*

## STANDARD SERIES SWIVEL SEAT MOUNT TOP



99023

PART NUMBER	Adjustable Height	Prop 65*
99023	360° Positive Lock Swivel Spider Mount Anodized Aluminum Finish	*

\* **WARNING:** Cancer and Reproductive Harm - [www.P65warnings.ca.gov](http://www.P65warnings.ca.gov) - See page 45 to learn more about California Proposition 65

# SLIDES AND SWIVELS

## LOW PROFILE SEAT SLIDE & LOCKING SWIVEL



- ▶ Slide mounts to a box, platform, or bench and seat mounts to the slide plate
- ▶ Free swiveling or locks every 45°
- ▶ Anodized aluminum with stainless steel hardware. Spider swivel casting not included

PART NUMBER	Dimensions	Fore and Aft Travel	Swivel	Slide	Prop 65*
75090	8.5" W x 13" L x 3.875" H (22cm x 33cm x 10cm)	6" (15cm)	•	•	*

75090

## LOW PROFILE SEAT SLIDES



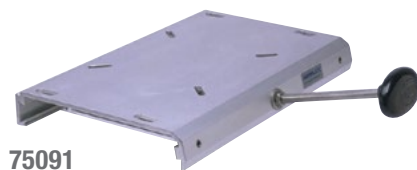
75080

- ▶ Slide mounts on top of swivel or platform
- ▶ Compatible with most 360° spiders
- ▶ Anodized aluminum with stainless steel hardware. Spider swivel casting not included

PART NUMBER	Size	Dimensions	Fore and Aft Travel	Swivel	Slide	Prop 65*
75080	Standard	8.5" W x 8" L x 1.63" H (22cm x 20cm x 4cm)	6" (15cm)	—	•	*
75081	Full Length Size for roto-molded seat.	8.5" W x 13" L x 1.63" H (22cm x 33cm x 4cm) For use where additional travel and any seat needing reinforcement underneath. Required on all Roto molded seats.	7" (18cm)	—	•	*
75091	Full Length Size for roto-molded seat.	8.5" W x 13" L x 1.63" H (22cm x 33cm x 4cm) For Low Profile installations where slide mounts directly to deck. Lock handle is angled upward.	6" (15cm)	—	•	*



75081



75091

\*  **WARNING:** Cancer and Reproductive Harm - [www.P65warnings.ca.gov](http://www.P65warnings.ca.gov) - See page 45 to learn more about California Proposition 65

## LEVER ACTUATED TANDEM



75002-75



75002-70

- ▶ Precision anodized aluminum extrusions slide easily and lock at 1" (2.54cm) increments
- ▶ Heavy duty system for use with large helm seats
- ▶ Ergonomically designed levers incorporate a mechanical advantage for ease of operation
- ▶ Cables are stainless steel construction for strength and durability

PART NUMBER	Fore and Aft Travel	Swivel	Slide	Prop 65*
75002-75	5"	•	•	*
75002-70	7"	—	•	*

## TANDEM SEAT SLIDE TRACK HARDWARE



74003



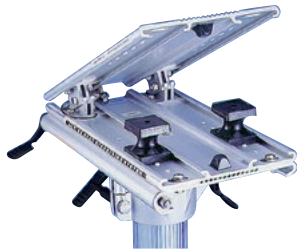
74001  
DUAL LOCK OPTION

- ▶ Provides fore & aft movement for double wide seat installations. Ideal for Double Wide Flybridge, Helm, or Pontoon Bucket Seats. Low-profile, all-anodized aluminum precision track extrusion allows seat to slide fore & aft 6" (15cm) with 1" (3cm) increments.
- ▶ Perfect for seats mounted on a support deck box or molded-in helm stations.

PART NUMBER	Dimensions	Lock Options	Fore and Aft Travel	Prop 65*
74003-G	12.5" L x 1.5" H (32cm x 4cm)	Standard Single Lock	7" (18cm)	*
74001-G	16.5" L x 1.5" H (42cm x 4cm)	Dual Lock - 24" (61cm) Overall Width	6" (15cm)	*

\* **WARNING:** Cancer and Reproductive Harm - [www.P65warnings.ca.gov](http://www.P65warnings.ca.gov) - See page 45 to learn more about California Proposition 65

## SEAT SUSPENSION SYSTEM



77300



77000

### ACTIVE SEAT SUSPENSION SYSTEMS OFFER BOATERS NEW LEVELS OF COMFORT AND SAFETY IN ALL WEATHER AND WATER CONDITIONS

- ▶ Active Seat Suspension Systems absorb and minimize up to 75% of the shock, jolt, and vibration transmitted to the passenger from the forces of roll, pitch, and yaw.
- ▶ Active Seat Suspensions Systems reduce the feelings of seasickness and nausea by absorbing excessive movement with 1" of damped vertical travel.
- ▶ Components are saltwater spray tested and UV stable; to help endure harsh marine environments.
- ▶ Made from rugged, high-tensile, anodized aluminum with stainless steel hardware.

### PEDESTAL BASE MOUNTING OPTIONS: ACTIVE SEAT SUSPENSION UNIT

- ▶ Standard bolt hole pattern allows for mounting on top of pedestal and beneath any individual seat
- ▶ Features heavy duty forward hinge system allowing shock absorption to occur in the vertical plane only, eliminates sway and side tipping
- ▶ Includes provisions for mounting seats with 6" center hole pattern.
- ▶ Components are saltwater spray tested and UV stable; to help endure harsh marine environments.
- ▶ Made from rugged, high-tensile, anodized aluminum with stainless steel hardware.

### FLOOR AND DECK MOUNTING OPTIONS

- ▶ Standard bolt hole pattern allows for easy mounting beneath seat to the deck, a box, or the floor of a boat
- ▶ Perfect for mounting beneath seat greater than 20" (51cm)
- ▶ Includes provisions for mounting seats with 6" center hole pattern

PART NUMBER	Description	Prop 65*
77000	Compact size and low profile design adds only 2" (5cm) of height. The outline is 13" x 7" (33cm x 18cm) with standard 5" x 12.125" (13cm x 31cm) slotted mounting hole pattern	*
77300	For use with wider bench seats – 1/2 profile 13" x 3" (33cm x 8cm) – pair	*
99191	Replacement foam seat shock – pair	*

\* **WARNING:** Cancer and Reproductive Harm - [www.P65warnings.ca.gov](http://www.P65warnings.ca.gov) - See page 45 to learn more about California Proposition 65

## LOCKING STAINLESS STEEL SEAT SWIVEL – 360°



**75120**  
DUAL LOCK OPTION

- ▶ Rotates 360°; 12 position lock at 30° increments
- ▶ Heavy duty for offshore market
- ▶ Fits most standard seat hole patterns
- ▶ Self-lubricating non-corrosive poly swivel bearing

PART NUMBER	Description	Prop 65*
75120	Stainless steel, 7" x 7" (18cm x 18cm)	*

## STAINLESS STEEL SEAT SWIVEL – 360°



**75020**

- ▶ Heavy Duty for Offshore Market
- ▶ 304 Stainless Steel with stainless center rivet
- ▶ Rotates 360° - Fits most Standard Hole Patterns
- ▶ Self lubricated non-corrosive poly swivel bearings

PART NUMBER	Description	Prop 65*
75020	Stainless steel, 7" x 7" (18cm x 18cm)	*

\* **WARNING:** Cancer and Reproductive Harm - [www.P65warnings.ca.gov](http://www.P65warnings.ca.gov) - See page 45 to learn more about California Proposition 65

## TABLE HARDWARE COLLECTION

---

Garellick's stylish table hardware is engineered for stability and designed to complement any boat type. From easy-to-use, removable table pedestals, to elegant, height-adjustable gas rise systems, our table collection meets any boaters' needs.



Photo: Courtesy of  
Sea Ray Boats



# TABLE HARDWARE

## SIDE MOUNT COAMING TABLE LEG SYSTEM



75359



75459

Garelick's Side Mount Coaming Tables allow for easy installation and removal of a table system to any vertical surface.

- ▶ Complete sets include table leg, surface mount base, side mount bracket, and table top.
- ▶ Table leg removes from side mount bracket and table top removes from table leg for stowing when not in use
- ▶ Spring loaded locking pin holds table leg in place

### Complete Sets

PART NUMBER	Table Dimensions	Mounting Bracket Dimensions	Leg Height	Table Leg Extension	Table Leg Diameter	Installed Height	Table Leg Finish	Table Top Finish	Prop 65*
75337	18" x 30" (46cm x 76cm)	5" W x 4" T (13cm W x 10cm T) .25" (.6cm) thick	19.25" (49cm)	16.5" (41cm) from vertical surface	2.25" (6cm)	16" (41cm) – plus distance from deck to mounting bracket and thickness of table top	Stainless Steel	Acrylic Coated ABS	*

PART NUMBER	Table Dimensions	Mounting Bracket Dimensions	Table Leg Finish	Table Top Finish	Prop 65*
75359	18" x 30" (46cm x 76cm)	5" W x 4" T (13cm W x 10cm T) .25" (.6cm) thick	Anodized Aluminum	Acrylic Coated	*
75459	18" x 30" (46cm x 76cm)	5" W x 4" T (13cm W x 10cm T) .25" (.6cm) thick	Anodized Aluminum	Teak	*

### Pedestals

PART NUMBER	Leg Height	Leg Extension	Table Leg Diameter	Installed Height	Table Leg Finish	Prop 65*
75343-10	18.5" (47cm)	15.625" (40cm)	2.25" (6cm)	18.5" (47cm) - plus distance from deck to mounting bracket and thickness of table top	Anodized Aluminum	*



75337

Photo: Courtesy of Sea Ray Boats



75343-10



75402

### Mounting Bracket

PART NUMBER	Mounting Hole Dimensions	Bracket Finish
75402	5" W x 3" T (13cm W x 8cm T)	Polished 304 stainless steel

\* **WARNING:** Cancer and Reproductive Harm - [www.P65warnings.ca.gov](http://www.P65warnings.ca.gov) - See page 45 to learn more about California Proposition 65

## 2.25" TABLE PEDESTALS – QUICK RELEASE TABLE PEDESTAL SYSTEM



75640

Garelick's Quick Release Table Pedestal System makes your boating experience simple and easy to enjoy. Our quick release levers allow easy removal for storage and low-profile deck ring mounts provide minimal interference on your deck space.

- ▶ Complete system includes: deck ring, socket base, table mounting socket.
- ▶ Marine grade polymer components resist corrosion
- ▶ Stanchion tube is Anodized aluminum with ribbed finish and tapered at both ends
- ▶ 9.25" (23cm) and 13" (33cm) stanchion posts available for converting dinette into bunk use
- ▶ Individual components available if additional mounting locations are desired

### Complete System

PART NUMBER	Stanchion Tube Height	Stanchion Tube Diameter	Installed Height	Prop 65*
75640	25.5" (65cm)	2.25" (6cm)	27" (69cm) - Deck surface to table top underside	*

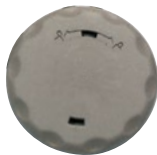
### Individual Components

PART NUMBER	Description	Prop 65*
75641	deck ring cover - tan	*
75642	deck ring cover - black	*



75648

PART NUMBER	Description	Height	Diameter	Prop 65*
75643	Ribbed stanchion tube	13" (33cm)	2.25" (6cm)	*
75644	Ribbed stanchion tube	9.25" (23cm)	2.25" (6cm)	*
75647	Ribbed stanchion tube	25.5" (65cm)	2.25" (6cm)	*



75641

PART NUMBER	Description	Diameter	Prop 65*
75645	Surface mt. socket base w/ deck ring	6.625" (17cm)	*
75646	Surface mt. deck ring	6.25" (16cm)	*
75648	Table adapter socket	7.25" (18cm)	*



75642

\* **WARNING:** Cancer and Reproductive Harm - [www.P65warnings.ca.gov](http://www.P65warnings.ca.gov) - See page 45 to learn more about California Proposition 65

# TABLE HARDWARE

## 2.25" TABLE PEDESTALS – QUICK RELEASE TABLE PEDESTAL SYSTEM (CONTINUED)



### Quick Release Hardware with Top Options

PART NUMBER	Description	Table Top Dimensions	Table Top Finish	Prop 65*
75320	Includes complete Quick Release System (75640) with oval table top	18" x 30" (46cm x 76cm)	Acrylic coated ABS plastic	*
75321	Includes complete Quick Release System (75640) with rectangular table top	16" x 32" (41cm x 81cm)	ABS Plastic	*
75320-21	Includes attached table adapter socket (75648) with oval table top	18" x 30" (46cm x 76cm)	Oval Acrylic	*
75321-21	Includes attached table adapter socket (75648) with rectangular table top	16" x 32" (41cm x 81cm)	ABS Plastic	*
75650	Includes complete Quick Release System (75640) with rectangular table top w/ removable cup holders	15" x 28" (38cm x 71cm)	White Polymer	*

## STOWABLE PEDESTAL SYSTEM WITH TABLE TOP



Garelick's Stowable Pedestal System with Table Top provides salon areas and pontoon decks with removable dinette table option.

- ▶ Set includes table top, ribbed tubing, surface mount and flush mount castings
- ▶ Anodized finish to resist saltwater corrosion

### STORAGE BRACKETS

- ▶ Mount to side coaming or transom for storing table pedestals
- ▶ High density black delrin

### Complete Sets

PART NUMBER	Description	Table Height	Pedestal Diameter	Table Top Dimensions	Table Top Finish	Prop 65*
75349	Includes rectangular table top, pedestal and castings	30" (76cm)	2.25" (6cm)	15" x 28" (38cm x 71cm)	White Polymer	*
75449	Includes oval table top, pedestal and castings	30" (76cm)	2.25" (6cm)	18" x 30" (46cm x 76cm)	Teak	*

### Individual Components

PART NUMBER	Description	Dimensions	Prop 65*
75449-21	Teak oval table with attached surface mount casting	18" x 30" (46cm x 76cm)	*
75375	Flush mount square socket base	6" (15cm)	*
99193	Storage mounting brackets	2.25" (6cm)	*



\* **WARNING:** Cancer and Reproductive Harm - [www.P65warnings.ca.gov](http://www.P65warnings.ca.gov) - See page 45 to learn more about California Proposition 65

## 2.25" TABLE PEDESTALS – STAINLESS SERIES



**75341**

Garelick's 2.25" (6cm) pedestals provide smaller boats with removable table options designed to withstand the tough marine conditions.

- ▶ 3 piece, all-aluminum provides solid table base
- ▶ Fluted profile stanchion with protective anodized finish
- ▶ Tapered on both ends for a snug, wobble-free fit

PART NUMBER	Description	Overall Height	Post	Base	Prop 65*
75340*	Flush Mount Base with Fluted Anodized Tube, complete 3-piece set	29.375" (75cm)	2.25" (6cm)	7" (18cm)	*
75341	Surface Mount Base with Fluted Anodized Tube, complete 3-piece set	29" (74cm)	2.25" (6cm)	7" (18cm)	*
75343	Fluted Taper Stanchion Post for Conversion to "Bunk" Height (Flush Mount)	13.25" (34cm)	2.25" (6cm)	—	*
75344	Fluted Taper Stanchion Post for Conversion to "Bunk" Height (Surface Mount)	9.25" (23cm)	2.25" (6cm)	—	*
75345*	Flush Mount taper Socket Base ONLY	—	—	7" (18cm)	*
75346	Surface Mount taper Socket Base ONLY	—	—	7" (18cm)	*
75347	Fluted Taper Stanchion Post ONLY (Flush Mount)	30.25" (77cm)	2.25" (6cm)	—	*
75348	Fluted Taper Stanchion Post ONLY (Surface Mount)	27.625" (70cm)	2.25" (6cm)	—	*
75375	Flush Mount Square Socket Base	6" (15cm)	—	7" (18cm)	*
99139	Plug Cap	2.25" DIA. (6cm)	—	—	*

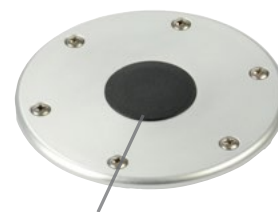
\* Flush mount bases require drilling into deck and extend 2.75" (7cm) below deck



**75346 SURFACE MOUNT**



**75345 FLUSH MOUNT**



**99139 PLUG CAP**

\* **WARNING:** Cancer and Reproductive Harm - [www.P65warnings.ca.gov](http://www.P65warnings.ca.gov) - See page 45 to learn more about California Proposition 65

## 2.875" TABLE PEDESTALS – STAINLESS SERIES



**75350**

Garelick's 2.25" (6cm) pedestals provide smaller boats with removable table options designed to withstand the tough marine conditions.

- ▶ 3 piece, all-aluminum provides solid table base
- ▶ Fluted profile stanchion with protective anodized finish
- ▶ Tapered on both ends for a snug, wobble-free fit

PART NUMBER	Description	Overall Height	Post	Base	Prop 65*
75350*	Flush Mount Base with Fluted Anodized Tube, complete 3-piece set	29.375" (75cm)	2.875" (7cm)	9.25" (23cm)	*
75351	Surface Mount Base with Fluted Anodized Tube, complete 3-piece set	30" (76cm)	2.875" (7cm)	9.25" (23cm)	*
75373	Fluted Taper Stanchion Post for Conversion to "Bunk" Height	14.5" (37cm)	2.875" (7cm)	—	*
75355	Flush Mount taper Socket Base ONLY	—	—	9.25" (23cm)	*
75356	Surface Mount taper Socket Base ONLY	—	—	9.25" (23cm)	*
75357	Fluted Taper Stanchion Post ONLY	31.5" (80cm)	2.875" (7cm)	—	*
75358	Fluted Taper Stanchion Post ONLY	28.75" (73cm)	2.875" (7cm)	—	*
99139	Leg Clip for 2.875" Tubing	—	—	—	*

\* Flush mount bases require drilling into deck and extend 2.75"(7cm) below deck



**75356 SURFACE MOUNT**



**75355 FLUSH MOUNT**



**99140**

\*  **WARNING:** Cancer and Reproductive Harm - [www.P65warnings.ca.gov](http://www.P65warnings.ca.gov) - See page 45 to learn more about California Proposition 65

# TABLE HARDWARE

## ADJUSTABLE TABLE BASE – GAS RISE OR MANUAL



75425

Garelick's Adjustable Table Base comes as a gas rise or manual system that's perfect for converting dinettes to berths.

PART NUMBER	Adjustable Height	Stanchion Tube Diameter	Base Diameter	Smooth	Ribbed	Prop 65*
75325	Manual Rise Low 14.5"– 30.75" (37cm-78cm) Protrudes 6" (15cm) below deck	2.875" (7cm)	9" (23cm)	—	•	*
75425	Sealed Gas-powered Rise Low 14.5"– 29.5" (37cm-75cm) Protrudes 8.5" (22cm) below deck (63 lb. gas spring)	2.875" (7cm)	9" (23cm)	—	•	*
75025	Manual Rise Low 14.5"– 30.75" (37cm-78cm) Protrudes 6" (15cm) below deck	2.875" (7cm)	9" (23cm)	•	—	*
75225	Manual Rise Low 14.5"– 30.75" (37cm-78cm) Protrudes 6" (15cm) below deck	2.875" (7cm)	9" (23cm)	•	—	*

## 3.5" TABLE PEDESTALS – MID-RANGE GAS RISE TABLE SYSTEM



75392

Garelick's Mid-Range Gas Rise Table System provides an adjustable table to salon and cabin areas. Have it mounted directly to the deck for a permanent table or to an anodized aluminum plate for a portable option.

- ▶ Gas Spring for lift
- ▶ Cam lock collar locks height adjustment in place
- ▶ Table Top mount is a permanent anodized aluminum plate

PART NUMBER	Adjustable Height	Stanchion Tube Outside Diameter	Stanchion Tube Inside Diameter	Top Plate	Round Base	Prop 65*
75392	63 lb. Gas Spring Low 12.5"– 26" (32cm-66cm) Protrudes 11.5" (29cm) below deck	3.5" (9cm)	2.875" (7cm)	11" x 15" (28cm x 38cm)	9.25" (23cm)	*
75394	63 lb. Gas Spring Low 14.5"– 28.5" (37cm-72cm) Protrudes 9.5" (24cm) below deck	3.5" (9cm)	2.875" (7cm)	9" x 13" (23cm x 33cm)	9.25" (23cm)	*
75392-67	40 lb. Gas Spring Low 16"– 28" (41cm-71cm)	3.5" (9cm)	2.875" (7cm)	9" x 13" (23cm x 33cm)	9.5" (24cm)	*

\* **WARNING:** Cancer and Reproductive Harm - [www.P65warnings.ca.gov](http://www.P65warnings.ca.gov) - See page 45 to learn more about California Proposition 65

GAS RISE YACHT TABLE BASE



75460

Garelick's Gas Rise Table Base is ideal in workrooms, galley or pilot house. Crews can adjust table heights to accommodate work environments and the ultra-smooth gas-powered operation makes height adjustments effortless.

- ▶ Ultra-smooth adjustable gas powered operation
- ▶ Self-standing with table top support
- ▶ Polished and anodized finish to resist saltwater corrosion

PART NUMBER	Adjustable Height	Stanchion Tube	Stanchion Tube Inside Diameter	Top Plate	Self-standing Square Base	Prop 65*
75460	40 lb. Gas Spring Low 20"– 29" (51cm-74cm)	3.5" (9cm)	2.875" (7cm)	9"x 13" (23x33cm) .25 (1cm) thick	19" (48cm) .375 (1cm) thick	*

4.0" TABLE PEDESTALS – 2 STAGE GAS RISE YACHT TABLE PEDESTAL



75470

Garelick's 2-Stage Gas Rise Pedestal is designed to withstand rugged work conditions. Crews can adjust table heights to accommodate their work environment. Ideal in workrooms, galley or pilot house, crewman can adjust table heights with an easy-to-use lifts.

- ▶ Ultra-smooth adjustable gas powered operation
- ▶ Robust design provides adjustable height in salon/cabin and back deck areas
- ▶ Adjustable height with two polished stainless handles
- ▶ Polished and anodized finish resist saltwater corrosion

PART NUMBER	Adjustable Height	Stanchion Tube	Stanchion Tube Inside Diameter	Top Plate	Round Base	Prop 65*
75470	56 lb. Gas Spring Low 12.75"– 28" (32cm-71cm)	4" (10cm), 3.5" (9cm)	2.875" (7cm)	12"x 12" (30cm x 30cm)	12" (30cm)	*



CLOSED

\* **WARNING:** Cancer and Reproductive Harm - [www.P65warnings.ca.gov](http://www.P65warnings.ca.gov) - See page 45 to learn more about California Proposition 65

# BOARDING LADDERS COLLECTION

## INSTALLATION, MAINTENANCE & SAFETY:

### Product selection

It's important to choose the proper size ladder for location and correct fit. Ladders that extend 2-3 rungs below the water's surface will provide the best comfort and function.

### Installation

Easy, step by step installation instructions are included with all Garelick ladders. Ladders feature standoffs to provide adequate support against the transom or hull when in use.

### Maintenance

Local weather conditions may contribute to minor corrosion. Aluminum and stainless steel are not completely free from corrosion attack. Regular fresh water rinsing and periodic cleaning with a mild abrasive will help to retain luster.

### Safety

Periodically check and re-tighten mounting hardware. Normal operation and vibration may loosen hardware over time.



Photo: Courtesy of  
Sea Ray Boats



## TRANSOM PLATFORM WITH TELESCOPING LADDER FOR BOATS WITH OUTBOARD MOTORS



19536

- ▶ One stainless wraparound rail and one underside support rail (both 1" (3cm) diameter, Reversible)
- ▶ Durable HDPE platform is pre-drilled for easy assembly
- ▶ Mounts at 10 degree angle on transom
- ▶ Ladder steps telescope down easily
- ▶ Ladder slides up and under platform for stowage
- ▶ Flat Poly treads for extra comfort

PART NUMBER	Dimensions	Platform Dimensions	Height above and below platform	Length	Width	Prop 65*
19536	18" W x 19" D x .75" T (46 x 48 x 2cm)	18" W x 15" D x .75" T (46 x 38 x 2cm)	11.5" (29cm)	13.5" (34cm)/23.5" (60cm) stowed/deployed	11.25" (29cm)	*

## TRANSOM PLATFORM WITH TELESCOPING LADDER FOR BOATS WITH I/O MOTORS



19546

- ▶ Durable HDPE platform is pre-drilled for easy assembly
- ▶ Mounts at 10-degree angle on transom
- ▶ Ladder steps telescope down easily
- ▶ Ladder slides up and under platform for stowage
- ▶ Flat Poly treads for extra comfort
- ▶ Two 1" (3cm) diameter stainless wrap around rails

PART NUMBER	Step Count	Overall Dimensions	Height Above Platform	Deployed Length	Stowed Dimensions	Platform Dimensions	Prop 65*
19546	2	18" W x 19" D x .75" T (46x48x2cm)	11.5" (29cm)	23.5" (60cm)	13.5" (34cm), W 11.25" (29cm)	18" W x 15" D x .75" T (46x38x2cm)	*

\* **WARNING:** Cancer and Reproductive Harm - [www.P65warnings.ca.gov](http://www.P65warnings.ca.gov) - See page 45 to learn more about California Proposition 65

# BOARDING LADDERS

## SWIM PLATFORM LADDER FOR BOATS WITH OUTBOARD MOTORS



19535

- ▶ Fold down (19535) and telescoping (19537) options available
- ▶ Mounts at 10 degree angle on transom
- ▶ Durable HDPE platform is pre-drilled for easy assembly
- ▶ Ladder folds over platform for stowage
- ▶ Flat poly treads for extra comfort
- ▶ One stainless rail and one underside support rail (both 1" (3cm) diameter, Reversible)

PART NUMBER	Step Count	Overall Dimensions	Height Above Platform	Ladder Dimensions	Prop 65*
19535	1	18" W x 19" D (46cm x 48cm)	11.5" (29cm)	Ladder: 13"L x 14.5"W (33x37cm)	*

PART NUMBER	Step Count	Overall Dimensions	Height Above Platform	Deployed Length	Stowed Dimensions	Prop 65*
19537	2	18"W x 19"D (46cm x 48cm)	11.5" (29cm)	23.5" (60cm)	L: 13.5" (34cm) W: 11.25" (29cm)	*

PART NUMBER	Description	Dimensions	Prop 65*
19530	Platform only with 1 wrap around rail and 1 underside support rail	18"W x 15"D x .75"T (46cm x 38cm x 2cm)	*

\*  **WARNING:** Cancer and Reproductive Harm - [www.P65warnings.ca.gov](http://www.P65warnings.ca.gov) - See page 45 to learn more about California Proposition 65

# BOARDING LADDERS

## SWIM PLATFORM WITH LADDER FOR BOATS WITH I/O MOTORS



19545

- ▶ Fold down (19545) and telescoping (19547) options available
- ▶ Mounts at 10-degree angle on transom
- ▶ Durable HDPE platform is pre-drilled for easy assembly
- ▶ Stainless steel hardware
- ▶ 1" (3cm) diameter stainless steel
- ▶ Ladder folds over platform for stowage
- ▶ Flat poly treads for extra comfort
- ▶ Two 1" (3cm) diameter stainless wrap around rails

PART NUMBER	Step Count	Overall Dimensions	Height Above Platform	Ladder Dimensions	Prop 65*
19545	1	18" W x 19" D (46cm x 48cm)	11.5" (29cm)	Ladder: 13"L x 14.5"W (33cm x 37cm)	*

PART NUMBER	Step Count	Overall Dimensions	Height Above Platform	Deployed Length	Stowed Dimensions	Prop 65*
19547	2	18" W x 19" D x .75" T (46cm x 48cm x 2cm)	11.5" (29cm)	23.5" (60cm)	L: 13.5" (34cm) W: 11.25" (29cm)	*

PART NUMBER	Description	Dimensions	Prop 65*
19540	Platform only with 1 wrap around rail and 1 underside support rail	18" W x 15" D x .75" T (46cm x 38cm x 2cm)	*

## OVER PLATFORM TELESCOPING LADDER



19615-61

- ▶ Steps – fold out and over, telescope down easily
- ▶ Compact stowage – steps fold over flat on platform
- ▶ Flat poly treads for increased comfort
- ▶ Standard folding gudgeons
- ▶ Bungee cord securing strap included
- ▶ Nylon bushings between ladder sections prevent inadvertent deployment when flipping ladder into the water
- ▶ Stainless steel – rated to 400 lbs.

PART NUMBER	Step Count	Overall Height/Width	Deployed Length	Stowed Length	Gudgeons Length	Prop 65*
19615-61	2	1.25" (3cm), W 11.25" (29cm)	23.5" (60cm)	13.5" (34cm)	5.75" (15cm)	*
19616-61	3	1.25" (3cm), W 11.50" (29cm)	34.5" (88cm)	14.5" (37cm)	7" (18cm)	*
19617-61	4	1.5" (4cm), W 12" (30.5cm)	45.5" (116cm)	15.5" (40cm)	6.5" (17cm)	*

\* **WARNING:** Cancer and Reproductive Harm - [www.P65warnings.ca.gov](http://www.P65warnings.ca.gov) - See page 45 to learn more about California Proposition 65

# BOARDING LADDERS

## UNDER PLATFORM TELESCOPING LADDER



19622-61

- ▶ Steps telescope down easily
- ▶ Ladder slides up, under platform for stowage
- ▶ Flat poly treads for increased comfort
- ▶ Mounting hardware and securing strap included
- ▶ Self-locking angled support bracket
- ▶ Bungee cord securing strap included
- ▶ Stainless Steel – rated to 400 lbs.

PART NUMBER	Step Count	Overall Height/Width	Deployed Length	Stowed Length	Prop 65*
19622-61	2	2.5" (6cm), W 11.38" (29cm)	23.25" (59cm)	13.5" (34cm)	*
19623-61	3	2.5" (6cm), W 11.63" (30cm)	34.5" (88cm)	14.5" (37cm)	*



## OVER PLATFORM TELESCOPING LADDER WITH BLACK POLY STEPS



19656

- ▶ Steps – fold out and over, telescope down easily
- ▶ Compact stowage – steps fold over flat on platform
- ▶ Comfortable black contour traction molded steps
- ▶ Standard folding gudgeons
- ▶ Securing strap included
- ▶ Nylon bushings between ladder sections prevent inadvertent deployment when flipping ladder into the water
- ▶ Designed, Engineered & Assembled in the U.S.A.
- ▶ Stainless steel – rated to 275 lbs.

PART NUMBER	Step Count	Overall Height/Width	Deployed Length	Stowed Length	Gudgeons Length	Prop 65*
19655	2	1.25" (3cm), W: 14.5" (37cm)	23.5" (60cm)	13.5" (34cm)	5.75" (15cm)	*
19656	3	1.25" (3cm), W: 14.5" (37cm)	34.5" (88cm)	14.5" (37cm)	7" (18cm)	*
19657	4	1.5" (4cm), W: 14.5" (37cm),	45.5" (116cm)	27.5" (62cm)	7" (18cm)	*



STOWED

\*  **WARNING:** Cancer and Reproductive Harm - [www.P65warnings.ca.gov](http://www.P65warnings.ca.gov) - See page 45 to learn more about California Proposition 65

# BOARDING LADDERS

## OVER PLATFORM TELESCOPING LADDER



19676

- ▶ Steps – fold out and over, telescope down easily
- ▶ Compact stowage – steps fold over flat on platform
- ▶ Flat poly treads for increased comfort
- ▶ Standard folding gudgeons with convenient grab bar for easier boarding
- ▶ Bungee cord securing strap included
- ▶ Nylon bushings between ladder sections prevent inadvertent deployment when flipping ladder into the water
- ▶ Stainless steel – rated to 400 lbs.

PART NUMBER	Step Count	Overall Height/Width	Deployed Length	Stowed Length	Gudgeons Length	Prop 65*
19676	3	1.25" (3cm), W: 11.50" (29cm)	34.5" (88cm)	14.5"(37cm)	7" (18cm)	*
19677	4	1.5" (4cm), W: 12" (31cm)	45" (114cm)	15.5" (40cm)	8" (20cm)	*



FOLDED



GRAB BAR

## UNDER PLATFORM SLIDING LADDER



19643

- ▶ Designed for under platform use – stows easily and compactly
- ▶ Ideal for installations under swim platforms or under the deck on bow or side of pontoon boats
- ▶ Ladder stows compactly within its own length
- ▶ Spring loaded self-locking for stowage
- ▶ Flat poly treads for increased comfort
- ▶ Stainless steel – rated to 400 lbs.

PART NUMBER	Step Count	Overall Height/Width	Deployed Length	Stowed Length	Support Frame Dimensions	Mounting Holes	Prop 65*
19643	3	3" (8cm), W: 11.5" (29cm)	33.5" (85cm),	16" (41cm)	L 15.85" (40cm), W 13.88" (35cm)	(3) 1/4" mount holes on each side, 6" spacing	*



FOLDED



LOCKING MECHANISM

\* **WARNING:** Cancer and Reproductive Harm - [www.P65warnings.ca.gov](http://www.P65warnings.ca.gov) - See page 45 to learn more about California Proposition 65

# BOARDING LADDERS

**SPORT/DIVER LADDERS** Garelick Sport/Diver Ladders are versatile and detach and mount easily to platforms and extension brackets providing an unobstructed transom area. These ladders are convenient for scuba diving, swimming, water skiing, and fishing.

## TELESCOPING STAINLESS STEEL SPORT DIVER LADDER



19843



FOLDED



19626



FOLDED

- ▶ Comfortable non-skid step surface
- ▶ Stainless Quick Release Transom Mounting Bracket (99180) included
- ▶ Easy boarding for swimmers or divers with fins and heavy gear
- ▶ Dual 1.25" (3cm) center post design – angled mount for stair-like usability
- ▶ Superior corrosion resistant electropolished stainless steel
- ▶ Includes Stainless Quick Release Transom Mounting Bracket (99180)
- ▶ Heavy Duty – rated to 400 lbs (181kg) boarding weight

PART NUMBER	Step Count	Length	Width	Prop 65*
19843	Transom Mount 3 Step	16.75" (43cm)/32.5" (83cm) stowed/deployed	13.5" (34cm)	*
19844	Transom Mount 4 Step	19.5" (50cm)/42" (107cm) stowed/deployed	13.5" (34cm)	*
19626	Platform Mount 3 Step	17" (43cm)/34" (86cm) stowed/deployed	13.5" (34cm)	*
19627	Platform Mount 4 Step	18" (46cm)/42" (107cm) stowed/deployed	13.5" (34cm)	*

\* **WARNING:** Cancer and Reproductive Harm - [www.P65warnings.ca.gov](http://www.P65warnings.ca.gov) - See page 45 to learn more about California Proposition 65

# BOARDING LADDERS

## UNDER PLATFORM DOUBLE TUBE TELESCOPING DIVE LADDER



**19636**  
PLATFORM NOT INCLUDED

- ▶ Unique design -30 degree angle for ease of use
- ▶ Electropolished stainless steel
- ▶ Dual vertical telescoping tube body
- ▶ Smooth slide with nylon bushing between ladder sections prevent galling and inadvertent deployment
- ▶ Spring loaded locking system with locking plate
- ▶ Oval shaped steps with non-skid surface for comfort
- ▶ Rated to 400 lbs.

PART NUMBER	Step Count	Length	Width	Prop 65*
19636	3 Step	16.5" (42cm)/ 31.5" (80cm) stowed/deployed	Mounting Frame 7" (18cm) Ladder's Steps 13" (33cm)	*



## STAINLESS STEEL SPORT DIVER LADDER



**19833**



**99180**



**99196**

- ▶ Superior corrosion resistance electropolished stainless steel
- ▶ Easy Boarding for Swimmers or Divers with fins or heavy gear
- ▶ 1.75" diameter center post design – angled mount for stair-like usability
- ▶ Comfortable non-skid step surface
- ▶ Designed for all vertical, horizontal, and breakaway mounting hardware options
- ▶ Stainless Quick Release Transom mounting bracket (99180) included
- ▶ Optional storage brackets (99196) available
- ▶ Superior corrosion resistant electropolished stainless steel
- ▶ Heavy Duty - rated to 400 lbs. (181kg) boarding weight

PART NUMBER	Step Count	Length	Width	Prop 65*
19833	3 Step	36" (91cm)	14.5" (37cm)	*
19834	4 Step	48" (122cm)	14.5" (37cm)	*
99196	—	—	—	*

\* **WARNING:** Cancer and Reproductive Harm - [www.P65warnings.ca.gov](http://www.P65warnings.ca.gov) - See page 45 to learn more about California Proposition 65

# BOARDING LADDERS

## SPORT DIVER LADDER



19803



99180

- ▶ Oval steps with textured, painted surface
- ▶ White powder coat paint
- ▶ Angled design for stair-like ease of boarding
- ▶ 2.25" diameter aluminum center vertical allows easy use with diving gear
- ▶ Designed for all vertical, horizontal, and breakaway mounting hardware options on page 9
- ▶ Stainless Steel Quick Release Transom mounting bracket (99180) and ladder storage brackets (99193) included
- ▶ Heavy duty – rated to 400 lbs. (181kg) boarding weight

PART NUMBER	Step Count	Length	Width	Prop 65*
19802	2 Step	28" (71cm)	13" (33cm)	*
19803	3 Step	38" (97cm)	13" (33cm)	*
19804	4 Step	48" (122cm)	13" (33cm)	*

## BASS BOAT TRANSOM LADDER



19812



99180

- ▶ Oval steps with textured, painted surface
- ▶ Black powder coat paint
- ▶ Angled design for stair-like ease of boarding
- ▶ Compact 2 step for low freeboard transoms
- ▶ 2.25" diameter aluminum center vertical
- ▶ Stainless Steel Quick Release mounting bracket (99180) included
- ▶ Optional Storage Brackets available (99193)
- ▶ Rated to 400 lbs.

PART NUMBER	Step Count	Length	Width	Prop 65*
19812	2 Step	28" (71cm)	13" (33cm)	*
99193	—	—	—	*



99193

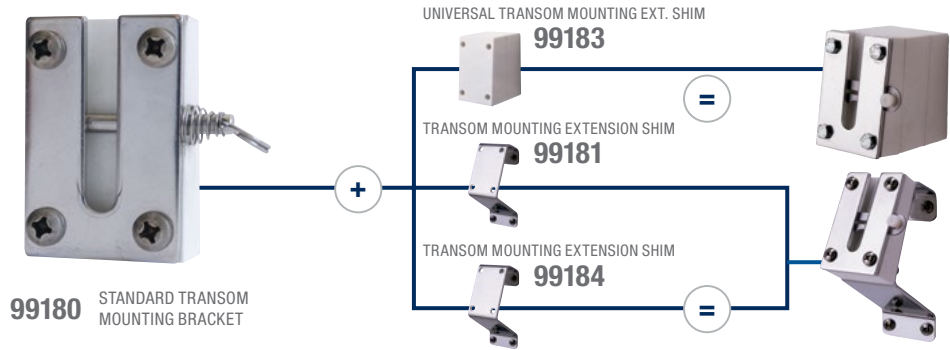
\* **WARNING:** Cancer and Reproductive Harm - [www.P65warnings.ca.gov](http://www.P65warnings.ca.gov) - See page 45 to learn more about California Proposition 65



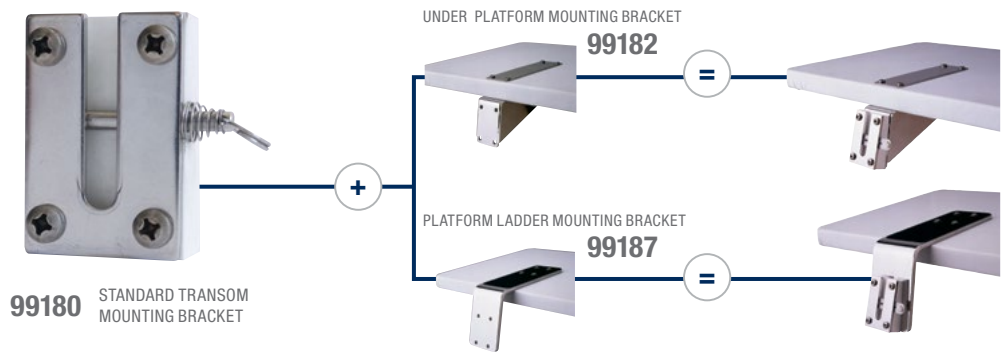
# BOARDING LADDERS

## SPORT/DIVER LADDER MOUNTING OPTIONS

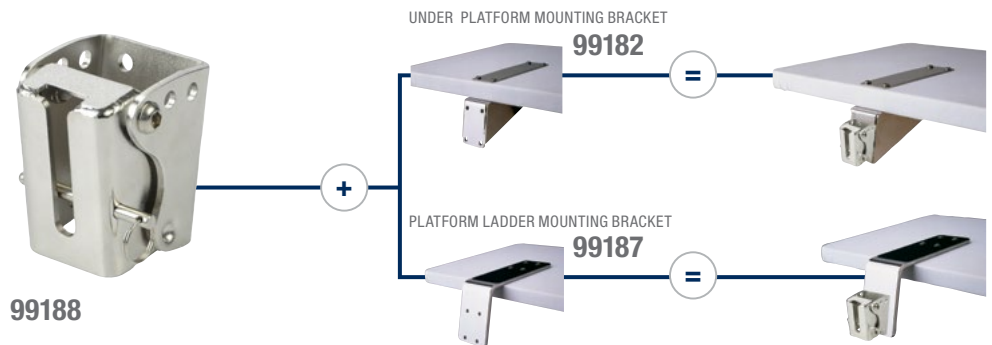
### VERTICAL TRANSOM MOUNTING OPTIONS



### HORIZONTAL PLATFORM MOUNTING OPTIONS



### BREAKAWAY HINGE MOUNTING OPTIONS



PART NUMBER	Width	Height	Depth	Notes	Prop 65*
99180	2.5" (6cm)	3.75" (10cm)	1.375" (3cm)	Included with all sport/diver series ladders. 1" (3cm) thick poly spacer 10 degree angle, with lock and stainless steel face plate mounting bracket, mounting hole diameter: 5/16" (1cm)	*
99181	2.75" (7cm)	3.62" (9cm)	2" (5cm)	Extends ladder 2" farther from the transom. Used with face plate and 10 degree poly spacer (99180) included with ladder. Made of stainless steel, 2.75" W x 3.62" H (7x9cm)	*
99182	2.5" (6cm)	3.75" (10cm)	9" (23cm)	Allows ladder to be mounted on any poly, teak, fiberglass, or aluminum platform. Mounts underneath platform and includes a top plate which sandwiches platform in between brackets. Used with face plate and 10 deg poly spacer (99180) included with ladder	*
99183	2.75" (7cm)	3.62" (9cm)	3" (7.5cm)	Solid poly block that can be custom cut at the angle necessary to allow the ladder to be mounted at 15 degrees off vertical in special applications. Used with stainless face plate included with ladder.	*
99184	2.75" (7cm) 4"	3.62" (9cm)	3" (7.5cm)	Extends ladder 3" farther from the transom. Used with face plate and 10 degree poly spacer (99180) included with ladder. Made of stainless steel, 2.75" W x 3.62" H (7x9cm)	*
99187	(10cm)	6.25" (16cm) 4"	10" (25cm)	Especially designed for use on built-in platforms and euro-style boats. Utilizes 99180 included with ladder. Made of Stainless Steel. 15 degree angle.	*
99188	3" (8cm)	(10cm)	3.25" (8cm)	Compatible with Models' 19802, 19803, 19804, 19833, 19834 and 19812 mounting hardware. Made of stainless steel, the adjustable +/- 15° features a breakaway hinge allowing the ladder to ride on top of the water. Will also work with 19843 and 19844.	*

\* **WARNING:** Cancer and Reproductive Harm - [www.P65warnings.ca.gov](http://www.P65warnings.ca.gov) - See page 45 to learn more about California Proposition 65

## BOARDING LADDERS



### OUT OF THE WAY, YET INSTANTLY AVAILABLE: THE LADDER IN TRANSOM

This Patented “invisible” ladder system can be integrated stylistically into even the sleekest of hull shapes, opening entirely new avenues in safety and design.

#### INVISIBLE

When stowed, the Boarding Ladder sits fully within the transom of the boat. The only component of this revolutionary boarding system visible is a simple and stylish faceplate with an integrated locking and release feature.

#### QUICK AND EASY

From either on board or in the water, the Boarding Ladder deploys instantly and easily with a simple one-handed tug on the release pin. Once out of its storage tube, the ladder's traction molded steps simply fold out, creating a sturdy and convenient series of steps for re-boarding.

#### VERSATILE

There is a Boarding Ladder for just about any size and shape boat. Available in 3 and 4 step lengths, in both manual and semi-automatic configurations this ladder may be the most important feature you DON'T SEE.

## INTEGRATED TRANSOM LADDER



19902-##



19902-##



19902-##

- ▶ For OEM installation only
- ▶ Designed for boats with negative 15-degree transom or positive based on the part number
- ▶ Offered in several styles to fit most OEM boarding applications
- ▶ Completely hidden from view when not in use
- ▶ Ladder unlocks and slides aft and into the water in one fluid motion
- ▶ This unique combination of stowability and simplicity helps provide boaters quick, easy and safe reboarding with no on board assistance.
- ▶ Compact operation: Steps open and close independently
- ▶ Semi-auto operation: All steps on common side open and close simultaneously

PART NUMBER	Prop 65*
19902-##	*

#### IMPORTANT:

There are many other versions available based on the boat manufacturer's specifications. Please consult your boat manufacturer for your correct ladder part number.

\* **WARNING:** Cancer and Reproductive Harm - [www.P65warnings.ca.gov](http://www.P65warnings.ca.gov) - See page 45 to learn more about California Proposition 65

# BOARDING LADDERS

## COMPACT II TRANSOM LADDER



19700

- ▶ Invisible, quick & easy and readily accessible
- ▶ Helps provide unassisted reboarding
- ▶ Complete ladder stows within transom and hull
- ▶ Steps open & close independently for ease of boarding
- ▶ Quick release ring w/ self-locking latch deploys ladder from storage
- ▶ Anodized aluminum channel body deploys out at 15-degree angle
- ▶ Available for aftermarket installation

PART NUMBER	Step Count	Length	Width	Mount Plate Dimensions	Prop 65*
19700	3 Step	32.5" (83cm)	2" (5cm)	5" H x 4.5" W x 1" D (13cm x 11cm x 3cm)	*

## COMPACT TRANSOM LADDER – STAINLESS STEEL



19513

- ▶ Ideal for Fish Boat Transoms
- ▶ Flat poly treads are attached to steps for comfort
- ▶ Designed for mounting on limited area
- ▶ Ladder stows upright against transom
- ▶ Easy to install
- ▶ Includes securing strap
- ▶ 1" (3cm) diameter stainless steel - rated to 275 lbs.

PART NUMBER	Step Count	Overall Height/Width	Deployed Length	Stowed Length	Mounting Area	Prop 65*
19513	2	15.5" (39cm), W: 14.5" (37cm)	15" (38cm)	15.5" (39cm)	3.5" x 12.5" (9cm x 32cm)	*

## TRANSOM PLATFORM LADDER STEP – STAINLESS STEEL



19512

- ▶ Fold down ladder mounts to transom platform
- ▶ Step folds up onto platform for flat stowage
- ▶ Easy to install, includes 4.5" gudgeons and securing strap
- ▶ Fits 19530 and 19540 swim platforms (Page X)
- ▶ Rated to 275 lbs.

PART NUMBER	Step Count	Overall Height/Width	Prop 65*
19512	1	13" (33cm), W: 14.5" (37cm)	*

\* **WARNING:** Cancer and Reproductive Harm - [www.P65warnings.ca.gov](http://www.P65warnings.ca.gov) - See page 45 to learn more about California Proposition 65

# BOARDING LADDERS

## 6 STEP WIDE BODY OVER PLATFORM TELESCOPING LADDER



19686

- ▶ Wide body design and extra length – make it easier and more comfortable to use
- ▶ Two extra steps into the water adds 24" (61cm) length – overall length deployed over 5 ½'!
- ▶ For larger boat installations at transom platform
- ▶ 6 Steps fold out and over, telescope down easily
- ▶ Compact stowage – steps fold over onto platform
- ▶ Flat poly treads for increased comfort and traction
- ▶ Heavy duty 6" folding gudgeons for easy mounting
- ▶ Bungee cord securing strap included
- ▶ Nylon bushings between ladder sections provide precision sliding
- ▶ Full 2" (5 cm) diameter main body stainless steel – weight capacity to 400 lbs.

PART NUMBER	Step Count	Overall Height/Width	Deployed Length	Stowed Length	Gudgeons Length	Prop 65*
19686	6	2.25" (6cm), W: 16" (41cm)	68.5" (174cm)	18" (46cm)	6" (15cm)	*

## TELESCOPING TRANSOM LADDER



19684

- ▶ Designed to allow for boarding at transom – mounts directly on transom
- ▶ 4 Steps allow for comfortable angled step up access under water line
- ▶ Folds down and telescopes into water
- ▶ Self-locking brackets hold ladder secure against transom
- ▶ Bungee cord securing strap included
- ▶ Nylon bushings between ladder sections provide smooth deployment
- ▶ Stainless steel – rated to 400 lbs.

PART NUMBER	Step Count	Overall Height/Width	Deployed Length	Stowed Length	Prop 65*
19683	3	1.5" (4cm), W: 12" (31cm)	23.5" (60cm)	14.75" (37cm)	*
19684	4	1.5" (4cm), W: 12" (31cm)	34.5" (88cm)	14.5" (37cm)	*

## TELESCOPING STAINLESS STEEL PONTOON BOARDING LADDER WITH STAINLESS STEEL SHUR-LOC CATCH MOUNTING HARDWARE



12340

76000

- ▶ Easy to board, stow and maintain
- ▶ Electropolished Stainless Steel Tubing
- ▶ Compact design allows ladder to be stowed in lockers underneath pontoon furniture
- ▶ Comfortable black contour traction molded steps.
- ▶ One piece all aluminum adjustable standoffs with cushioned rubber tips
- ▶ Attaches easily to deck for temporary or permanent mounting with included Shur-Loc catches (76000)
- ▶ Made in the U.S.A.
- ▶ Rated to 400 lbs.

PART NUMBER	Step Count	Overall Height/Width	Deployed Length	Stowed Length	Prop 65*
12340-G	4	16" (41cm)	51" (130cm)	32" (82cm)	*

\* **WARNING:** Cancer and Reproductive Harm - [www.P65warnings.ca.gov](http://www.P65warnings.ca.gov) - See page 45 to learn more about California Proposition 65

# BOARDING LADDERS

## REMOVABLE FOLDING PONTOON LADDER



- ▶ Folds down to 4 steps; hooks fold and ladder stows in locker underneath furniture
- ▶ Securing clip included
- ▶ Sturdy design with over rail hooks for easy boarding
- ▶ Lightweight anodized aluminum 1" (3cm) diameter resists corrosion
- ▶ Attaches easily to deck at side gate for temporary or permanent mounting with included Shur-Loc catches (76000)
- ▶ Comfortable contour black traction molded steps.
- ▶ Includes Shur-Loc stainless steel latch bolts and deck mounting hardware
- ▶ Made in the U.S.A.
- ▶ Shur Loc Ladder Catches - Bracket mounts to deck for attaching latch type boarding ladders
- ▶ Shur Loc Ladder Catches - Allows permanent or temporary mounting
- ▶ Shur Loc Ladder Catches - Stamped stainless
- ▶ Rated to 400 lbs.

PART NUMBER	Step Count	Overall Height/Width	Deployed Length	Stowed Length	Prop 65*
12350	4	42" (107cm), 16" (41cm)	30" (76cm)	29" (74cm)	*

## PREMIUM FOLDING PONTOON TRANSOM BOARDING LADDER



- ▶ Permanent mount at transom, ideally at stern gate door
- ▶ Comfortable black contour traction molded steps extra deep for added step surface
- ▶ Folds down for easy boarding
- ▶ Durable 1" (3 cm) diameter anodized aluminum tube
- ▶ Includes securing clip, and second step abuts end of pontoon log
- ▶ Designed, engineered & assembled in the U.S.A.
- ▶ Rated to 400 lbs.

PART NUMBER	Step Count	Overall Height/Width	Folded Length	Deck - 2nd step dimensions	Step surface dimensions	Prop 65*
12380	2 - 4	46" (117cm), W: 16" (41cm)	14" + 32" (36cm + 81cm)	12" (30cm)	5" x 12" (13cm x 31cm)	*

## PONTOON SWIM LADDER



- ▶ Use at side gate or transom
- ▶ Comfortable white traction molded poly steps.
- ▶ Attaches easily to deck with included Shur-loc catches
- ▶ Shur-loc catch brackets (76000) allow for permanent or removable mounting
- ▶ Vinyl sleeves on verticals protect pontoon
- ▶ Hooks fold flat for stowage
- ▶ Durable 1" (3cm) diameter anodized aluminum tube – rated to 250 lbs.
- ▶ Made in the U.S.A.

PART NUMBER	Step Count	Overall Height/Width	Prop 65*
15240-G	4	50" (127cm), W: 15" (38cm)	*

\* **WARNING:** Cancer and Reproductive Harm - [www.P65warnings.ca.gov](http://www.P65warnings.ca.gov) - See page 45 to learn more about California Proposition 65

# FOOTRESTS

**NOTE:** These items are designed as footrests and are not intended to be used as steps.

## ROUNDED WHITE POLYMER FOOTREST



- ▶ Heavy duty wrap-around aluminum extrusion with brushed anodized aluminum finish
- ▶ High Density Polyethylene traction grooved step

PART NUMBER	Dimensions	Prop 65*
27415	7.5" H x 15" W x 8.25" D (19cm x 38cm x 21cm)	*

27415

## ROUNDED WHITE VINYL FOOTREST



- ▶ Heavy duty wrap-around aluminum extrusion with brushed anodized aluminum finish and white vinyl treads

PART NUMBER	Dimensions	Prop 65*
27316	7.5" H x 15" W x 8.25" D (19cm x 38cm x 21cm)	*

27316

## BLACK VINYL FOOTREST

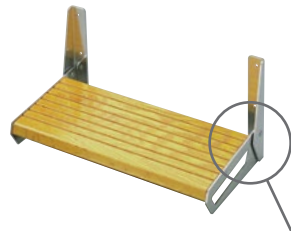


- ▶ Durable 1" (3cm) black anodized aluminum uprights and stamped support brackets with black vinyl treads

PART NUMBER	Dimensions	Prop 65*
27315	7.5" H x 15" W x 8.25" D (19cm x 38cm x 21cm)	*

27315

## OAK FOOTREST



PART NUMBER	Dimensions	Prop 65*
26015	7.5" H x 15" W x 8.25" D (19cm x 38cm x 21cm)	*
26018	7.5" H x 18" W x 8.25" D (19cm x 6cm x 21cm)	*

PART NUMBER	Description	Dimensions	Prop 65*
76006	Polished aluminum folding brackets only	7.5" H x 8.25" D (19cm x 21cm)	*
76007	Anodized aluminum folding brackets only	7.5" H x 8.25" D (19cm x 21cm)	*

26015

76007

\* **WARNING:** Cancer and Reproductive Harm - [www.P65warnings.ca.gov](http://www.P65warnings.ca.gov) - See page 45 to learn more about California Proposition 65

# FOOTRESTS

**NOTE:** These items are designed as footrests and are not intended to be used as steps.

## TEAK FOOTREST

- ▶ Heavy duty wrap-around aluminum extrusion with brushed anodized aluminum finish and teak inserts.



PART NUMBER	Dimensions	Prop 65*
27515	7.5" H x 15" W x 8.25" D (19cm x 38cm x 21cm)	*

27515

## ADJUSTABLE FOOTREST



27516

- ▶ Heavy duty wrap-around aluminum extrusion with brushed anodized aluminum finish and teak treads
- ▶ Provides added comfort for multiple users at helm
- ▶ 4 positions – provides 5" of vertical height adjustment
- ▶ Angled 18 degrees down for more comfort when resting on stepping surface
- ▶ Traction grooved step surface with teak inserts
- ▶ Rounded corner design helps eliminate scraping ankles

PART NUMBER	Dimensions	Prop 65*
27516	7.5" H x 15" W x 8.25" D (19cm x 38cm x 21cm)	*

## WHITE POLYMER FOOTREST

- ▶ Stamped aluminum folding side brackets
- ▶ High density, polyethylene traction grooved step



PART NUMBER	Dimensions	Prop 65*
26115-G	7.5" H x 15" W x 8.25" D (19cm x 38cm x 21cm)	*

26115

\* **WARNING:** Cancer and Reproductive Harm - [www.P65warnings.ca.gov](http://www.P65warnings.ca.gov) - See page 45 to learn more about California Proposition 65

## CUSTOM SEATING AND UPHOLSTERY

---

Quality is our heritage. Craftsmanship is our priority. Luxury upholstery solutions is our outcome. Garelick Seating and Upholstery offers the highest quality services in the marine industry. With semi-custom and custom design capabilities, we offer upholstery solutions for any boat profile. Our experienced team of designers, engineers and craftsman work with each individual boat builder to create a unique product that is sure to make your boat one of a kind.



Photo: Courtesy of  
Robertson & Caine



## SERVICES

We design in collaboration with you – our partners. It can be as easy as utilizing a current seat platform to meet an economical need. Or, we can start from scratch and design a one-of-a-kind seating solution to make an exclusive brand statement for your business. Our dedicated team will guide you through the journey by working to craft, compose, mock-up, frame and deliver your seating and upholstery vision. Our goal is to help enhance your unique brand position and provide a customer centric solution. From fully upholstered seating kits to exclusive fully upholstered boat interiors – we have you covered!



## CAPABILITIES AND ENGINEERING

Our approach gives our team hands-on experience to learn and understand your seating and upholstery vision. Having the capabilities to create a product from collaborative infancy to production maturity, enables our team to become experts in our craft. Our technologies and innovative procedures allow for detailed sewing and exceptional stitching. We use state-of-the-art marine fabrication equipment to deliver excellence in digital fabric patterns, digital foam fabrication cutting, CNC expanded PVC and Star-Board Substrates, and Hand Quilting. We continually evaluate and apply the latest lean manufacturing processes to offer the most competitive and highest quality products.

**Photo on the left:**

Courtesy of Robertson & Caine

**Photo on the right:**

Courtesy of Scout

## CUSTOM SEATING SOLUTIONS

By collaborating on design with boat builders, we are able to engineer and deliver customized seating and upholstery solutions that fulfill the design vision and complement any boat style.



### First row, left to right:

Courtesy of Scout, Courtesy of Scout,  
Courtesy of Sea Ray

### Second row, left to right:

Courtesy of Robertson & Caine,  
Courtesy of Aquila



**First row, left to right:**  
 Courtesy of Sea Ray, Courtesy of Aquila  
**Second row, left to right:**  
 Courtesy of Sea Ray, Courtesy of Aquila

## **GARELICK™ LIMITED WARRANTY**

---

Our Limited Warranty is as functional and straightforward as our products. Since we design and build them to provide you with years of satisfaction, all Garelick products are sold with a three year limited warranty against defects in material and workmanship.

### **What we will do**

In the unlikely event that a defect in material or workmanship exists during the warranty period, at our expense, we will promptly repair or replace the product.

### **What you should do**

All we require is that you call or write us to discuss the claim. We will then work with you to ship the product back to us for inspection, repair or replacement.

### **What is not covered**

It is important to note that our Limited Warranty is not an unconditional guarantee for the life of this product. Garelick products are made from the finest materials available under our exacting manufacturing standards. But, like any other product, they are not indestructible.

Therefore, the Limited Warranty does not cover product damage caused by abuse, neglect, improper installation, normal wear and tear, or the failure to perform routine maintenance.

## **Garelick Marine Products are widely available throughout better stores everywhere**

---

We suggest Contacting your favorite store dealer or internet fulfillment center where you have the best chance to find our products. After checking availability, if the model(s) you have chosen is not in stock, your dealer can order it for you from their stocking wholesaler.

Our products are also available from several of the leading marine catalog/retailers that may be in your area. For availability outside the United States, email us and we will provide you with information on where to find our products.

### **DISCLAIMER AND LIMITATIONS**

THE IMPLIED WARRANTIES OF MERCHANTABILITY AND FITNESS FOR A PARTICULAR PURPOSE ARE EXPRESSLY DISCLAIMED. TO THE EXTENT THAT THEY CANNOT BE DISCLAIMED, THE IMPLIED WARRANTIES ARE LIMITED IN DURATION TO THE LIFE OF THE EXPRESS LIMITED WARRANTY. INCIDENTAL AND CONSEQUENTIAL DAMAGES ARE EXCLUDED FROM COVERAGE UNDER THIS WARRANTY. SOME STATES/COUNTRIES DO NOT ALLOW FOR THE DISCLAIMERS, LIMITATIONS AND EXCLUSIONS IDENTIFIED ABOVE, AS A RESULT, THEY MAY NOT APPLY TO YOU. THIS WARRANTY GIVES YOU SPECIFIC LEGAL RIGHTS, AND YOU MAY ALSO HAVE OTHER LEGAL RIGHTS WHICH VARY FROM STATE TO STATE AND COUNTRY TO COUNTRY.

If you have any questions or comments regarding your Garelick product you may reach us by writing to our headquarters in St. Paul Park, MN, **phone us at 1.651.459.9795** or **email us at [mail@garelick.com](mailto:mail@garelick.com)**. You will find that we apply the same standard of excellence to our customer service as we do to our products.

## CALIFORNIA PROPOSITION 65 OVERVIEW

---

### What is Proposition 65?

Proposition 65 requires businesses to provide warnings to Californians about significant exposures to chemicals that cause cancer, birth defects or other reproductive harm. This enables Californians to make informed decisions about their exposures to these chemicals. Proposition 65 requires California to publish a list of chemicals known to cause cancer, birth defects or other reproductive harm. This list, which must be updated at least once a year, has grown to include approximately 900 chemicals since it was first published in 1987.

### What does the warning look like?

 **WARNING:** Cancer and Reproductive Harm - [www.P65warnings.ca.gov](http://www.P65warnings.ca.gov)

### What does a warning mean?

The product number associated with the warning could expose individuals to one or more of the chemicals on the list.

### How do I learn more about Proposition 65?

Visit this website to learn more about Proposition 65. <https://www.p65warnings.ca.gov/>

### Where do I find answers related to businesses?

[https://www.p65warnings.ca.gov/sites/default/files/art\\_6\\_business\\_qa.pdf](https://www.p65warnings.ca.gov/sites/default/files/art_6_business_qa.pdf)





**GARELICK™**

**GARELICK MFG. CO.**

644 SECOND STREET, P.O. BOX 8,  
ST. PAUL PARK, MN 55071-0008

PHONE: 651.459.9795

FAX: 651.459.8269

[WWW.GARELICK.COM](http://WWW.GARELICK.COM)

CAT-GAR-2021\_PROP65

