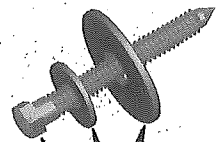
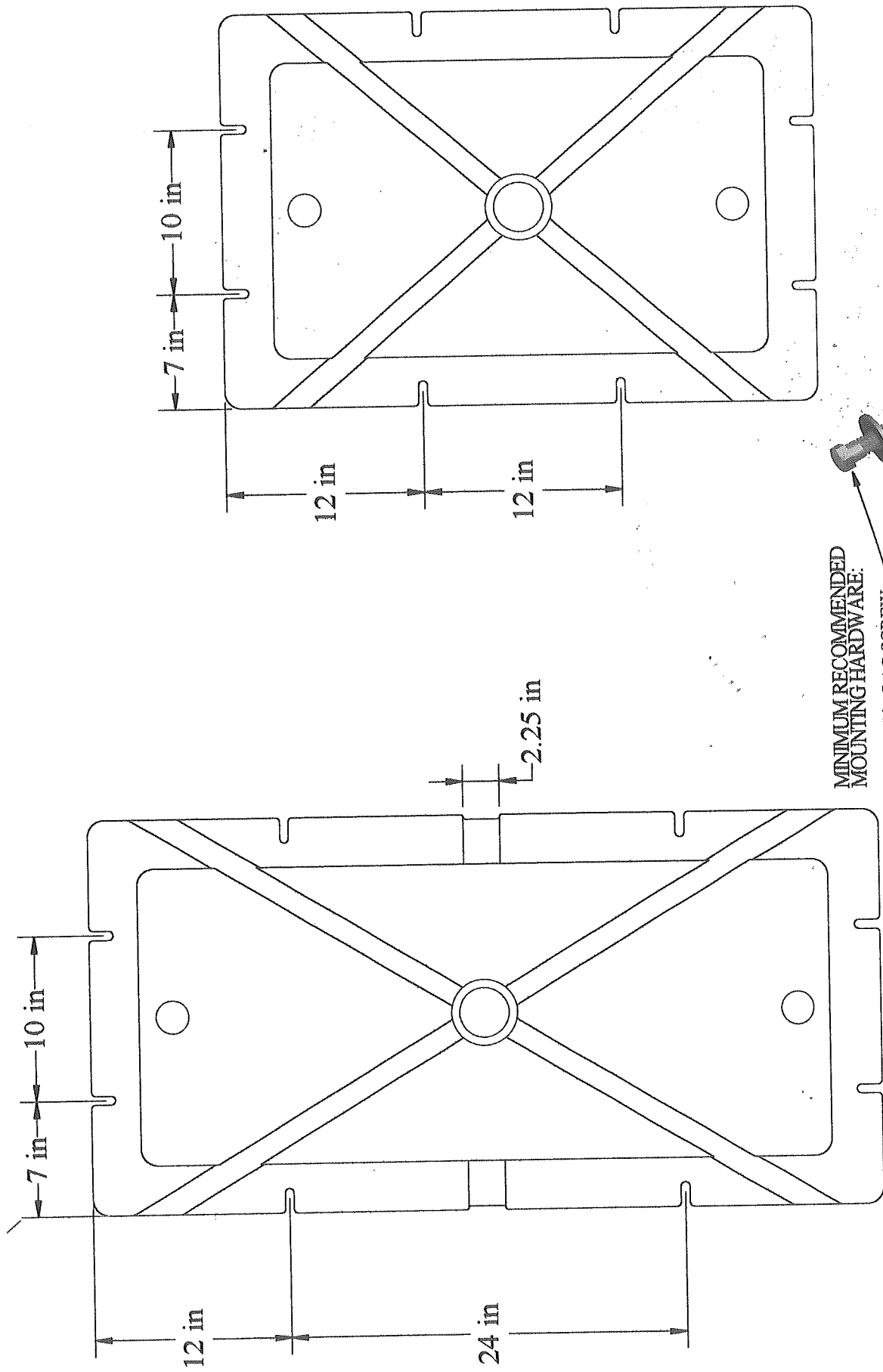
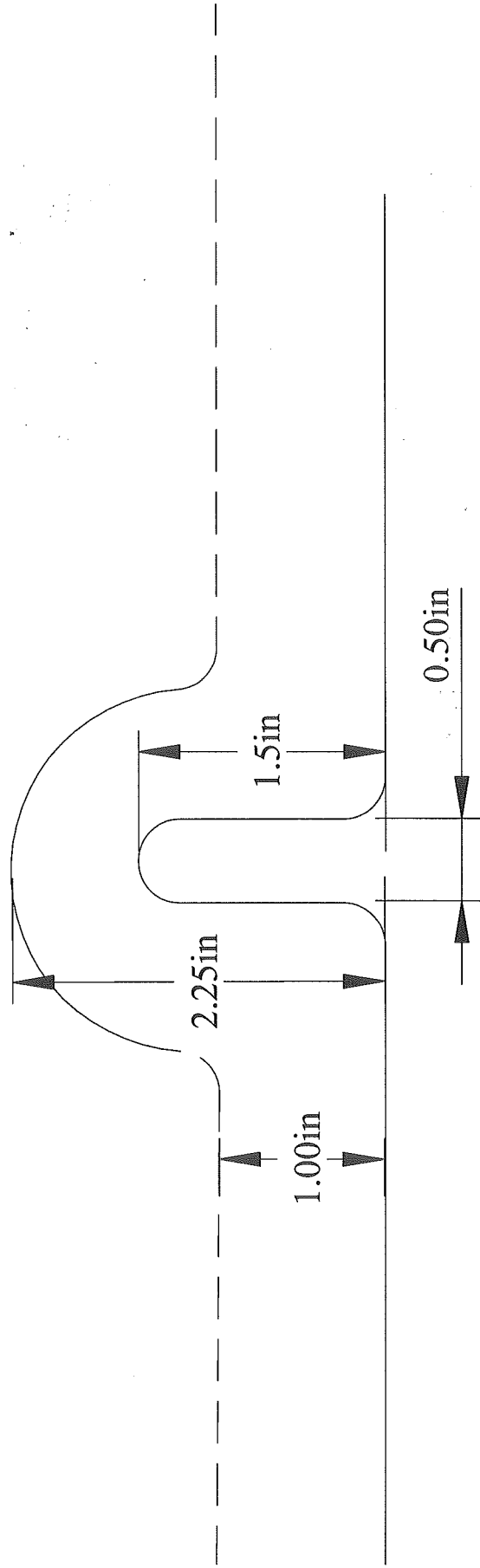


TAYLOR MADE PRODUCTS



MINIMUM RECOMMENDED MOUNTING HARDWARE:

- 3/8" X 3" lg. LAG SCREW
 - 3/8" WASHER & 5/8" WASHER
- American National Standard Type A Plain Washers
(Series W)
- Use galvanized hardware for longer life or salt water applications.*



Dimensional detail of dockfloat mounting flange