

Accurate®

ATD
OWNERS
MANUAL



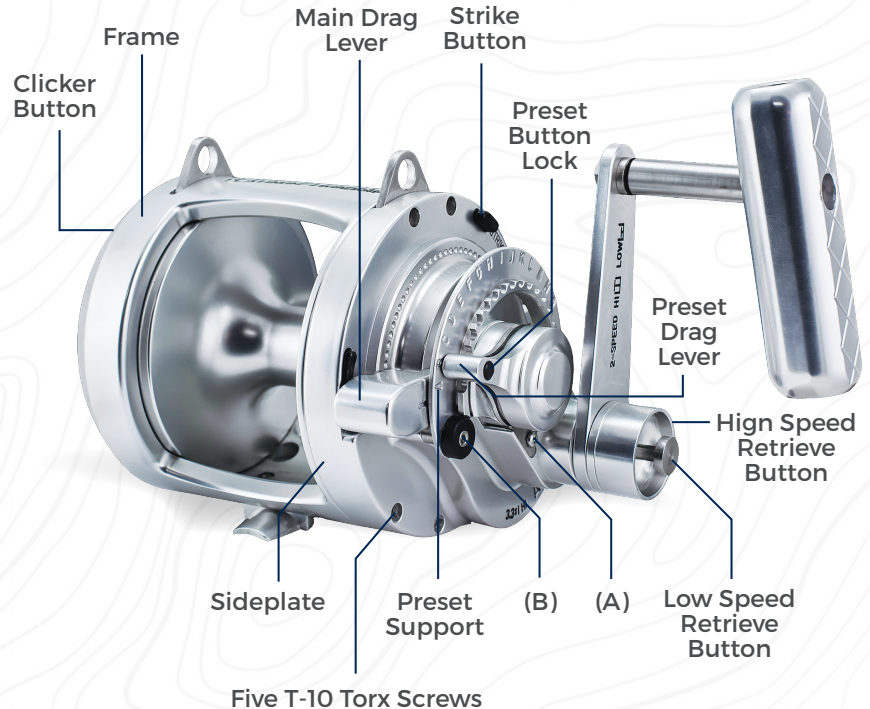
Contents

Getting Acquainted	2
Clicker Adjustment.....	4
Drag Variance, Filling the Spool, Rod Mounting	5
Operation.....	6
Line Capacities.....	7
Twin Drag System.....	8
Maintenance.....	9
Warranty.....	10

ATD[®]

Getting Acquainted

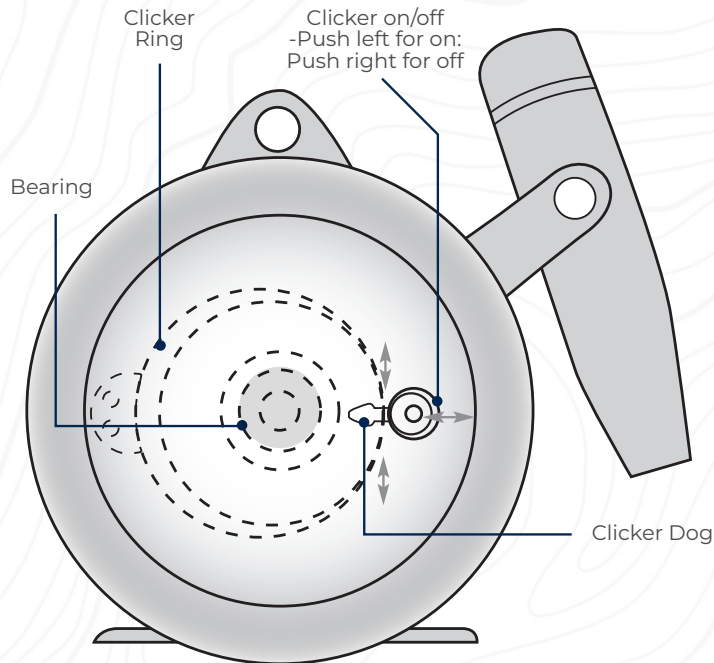
- HEAT TREATED PINION GEARS
- PATENTED TWINDRAG[®] SYSTEM
- ACCUDRAGS
- 7 CLASS-5 ABEC STAINLESS STEEL BEARINGS
- 17-4 STAINLESS STEEL GEARS
- STAINLESS-STEEL SPRINGS AND CLIPS
- 2 STAINLESS STEEL ANTI-REVERSE DOGS
- PATENTED DIRECSHIFT[®] 2-SPEED MECHANISM FOR INSTANT ENGAGEMENT



ATD Clicker Adjustment

To adjust the clicker for more or less intensity, remove the six 3/32 hex screws on the sideplate. Pull the sideplate apart from the frame. You now have access to the clicker mechanism inside the frame. Pull the ring apart for less intensity or push closer together to add intensity.

Once adjustment is complete, place the sideplate and spool back into the frame. Reattach screws.



ATD

Drag Variance

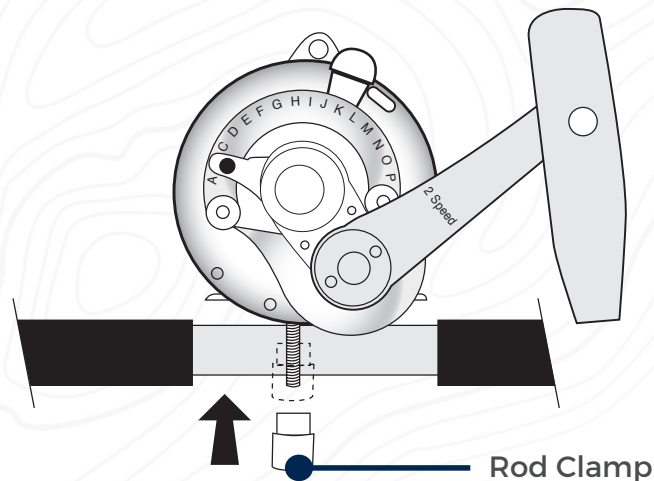
Thanks to the Platinum Twin Drags exclusive Twin Drag technology, the drag tension you set will vary no more than two pounds when line is pulled off the reel at any speed! Unfortunately, there is another factor which causes drag variance that needs to be accounted for. This factor is based on how full the reel is with line. When the spool is filled, the line is being pulled off a high point on the spool. As the amount of line on the spool reduces, the line is pulled from a lower area on the spool. There is less leverage used when the line is pulled at a lower level, which means the line needs more force to move the spool against the drag. The drag setting has not been decreased, but the line will encounter increased tension. Account for the drag pressure to approximately double when 25% of the line has been removed from a full spool.

Filling the Spool

Begin filling the Platinum Twin Drag Reel by attaching the line securely to the reel spool. When using Spectra lines, be sure to apply tape, or something similar, to the spool arbor so the line has something to "bite" in to. You can also back your braided line with mono. With tension applied to the line, fill the spool to approximately 1/4" from the spool edge.

Rod Mounting

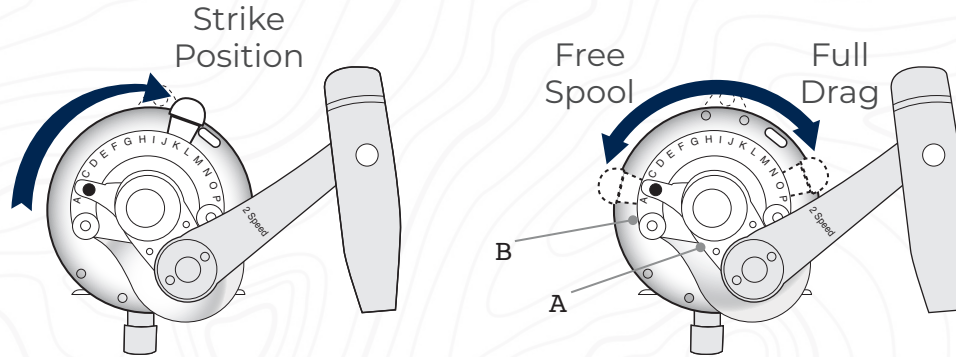
Mount the reel on the rod with its rod clamp. If your reel is a right-handed model, be sure to mount the reel with the handle on the right.



ATD

Operation

Basic operation of your Platinum Twin Drag fishing reel is no different from operating any other fishing reel except for setting the lever drag. The most popular drag setting is to set your drag so when the Main Drag Lever is in the strike position it is at approximately 30% of your line strength. To obtain this setting, start by adjusting the Main Drag Lever so it is in the Free Spool position. NOTE: The Preset Lever cannot be adjusted unless the Main Lever is in the free spool position. Then adjust the Preset Drag Lever by depressing the Preset Button Lock and moving it to the alphabetical letter that provides 30% of drag pressure.



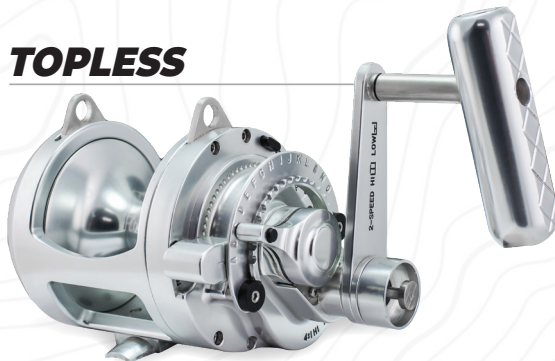
If the drag Preset Drag Lever gets close to the "O" position then the Preset Lever needs to be adjusted to account for drag washer wear. Simply remove the two phillips head screws(A) and the 3/32 hex screw(B), then move the Preset Lever to the left of the Preset Support. Lift and remove the lever. Advance the nut clockwise 1/6 turn. Replace the Preset Drag Lever and move it onto the Preset Support. Replace all the screws.

Your Platinum Twin Drag Reel is equipped with both high speed and low speed retrieve settings. Use high speed for normal fishing applications and switch to low speed for extra cranking power. Your reel is delivered in the High setting. To shift to low speed push in the Low Speed Button. To shift to high speed depress the High Speed Button. It is possible to shift from low to high (with practice) very quickly. If so, you will need to pull the handle knob back (counter-clockwise) toward you in order for the gears to shift. This is because you have shifted while keeping constant pressure on the gears. Action will unload the gear pressure to allow the internal gear shift movement.

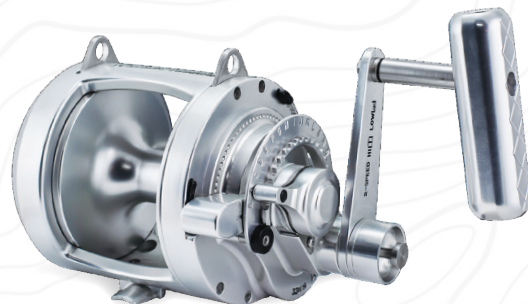
ATD

Line Capacities

TOPLESS



TWO SPEED



ATD® REELS

MODEL	WEIGHT (oz)	GEAR RATIO	BRAID CAP	INCHES PER CRANK	MAX DRAG
ATD-12T	42	5:1 / 2.3:1	400 yds / 80 lbs	42" / 19"	30+
ATD30-30T	47	4:1 / 1.7:1	500 yds / 130 lbs	37" / 16"	40+
ATD50-50T	58	3.3:1 / 1.2:1	600 yds / 130 lbs	36" / 13"	50+
ATD-50W	60	3.3:1 / 1.2:1	750 yds / 130 lbs	36" / 13"	50+
ATD-80	135	2.2:1 / 1:1	900 yds / 200 lbs	33" / 15"	80+
ATD-80W	147	2.2:1 / 1:1	1100 yds / 200 lbs	33" / 15"	80+
ATD-130	192	2.2:1 / 1:1	2000 yds / 200 lbs	39" / 18"	80+

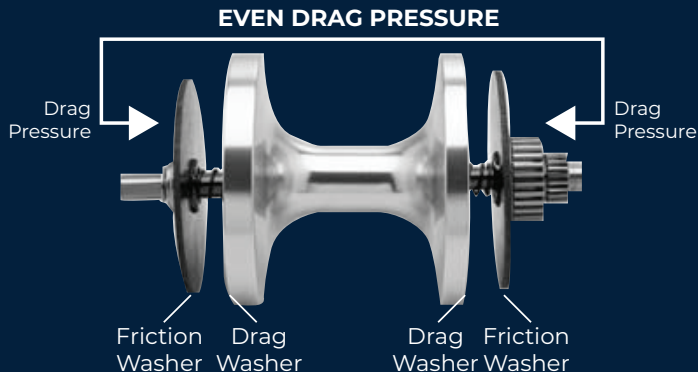
TWIN DRAG® SYSTEM

Our patented TwinDrag® technology utilizes carbon fiber drag washers and stainless-steel friction washers on both sides of the spool to create the strongest smoothest drag possible.

- PATENTED TWINDRAG™ SYSTEM
- BILLET 6061 - T6 ALUMINUM
- 7 CLASS-5 ABEC STAINLESS STEEL BALL BEARINGS
- PRESET LEVER WITH LOCK AND ALPHANUMERIC SCALE
- QUICKSHIFT TWO-SPEED
- 2 DRAG FRICTION WASHERS
- UNHINDERED FREE-SPOOL AT EVERY DRAG SETTING
- GREASED ACCUDRAGS
- 2 ANTI-REVERSE DOGS
- STAINLESS-STEEL GEARS, SPRINGS, HARNESS LUGS, HEAD SCREWS
- POWER HANDLE - ERGONOMIC DESIGNED FOR COMFORT AND A SURE GRIP
- 1-YEAR WARRANTY
- PROUDLY DESIGNED, MANUFACTURED AND ASSEMBLED IN THE USA
- LEFT-HANDED MODELS AVAILABLE
- TOPLESS MODELS AVAILABLE



ADVANCED TECHNOLOGY




The ATD® Platinum™ TwinDrag® is the Flagship series of the Accurate® line. Designed with Accurate's patented TwinDrag® feature to deliver smooth, powerful drags, the larger ATD® models put out in excess of 100 pounds of drag for targeting giant Bluefin Tuna and Marlin. These reels have been internally designed to handle high drag loads by applying an even amount of pressure on both sides of the reel with two synced dogs to provide the ultimate stopping power. The ATD® offers a smooth, even drag that is consistent through the fight with little to no start up inertia, alleviating the possibility of high drag spikes when line comes off the reel. If you are looking to harness the ultimate stopping power for big game fishing, the ATD® is the finest reel on the market of its kind.

ATD

Maintenance

Bearing Maintenance - The Class 5 A.B.E.C. bearings in the ATD are tephlon impregnated in the ball bearing race; thus, no lubrication is needed for these bearings.

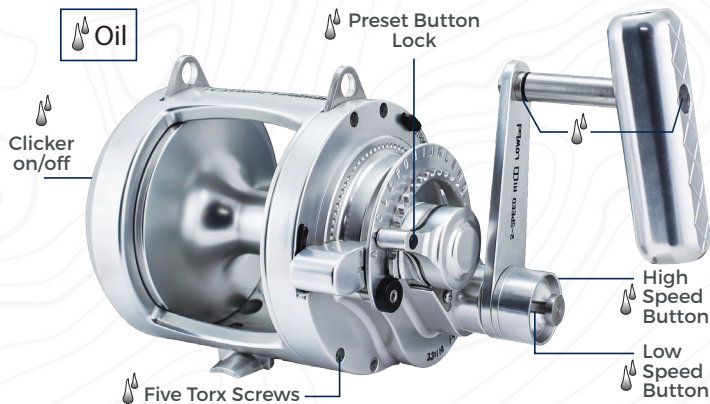
NOTE: Do not lubricate the two small weep holes on the bottom of the reel. These holes are for water to drain out of the reel.

Wash down your ATD with fresh water after each use. We recommend lightly spraying it to prevent water from being forced inside. If heavy pressure is needed put the reel in the "Full" drag position. Do not completely submerge the reel into water. Wipe the exterior parts with an anti-corrosion lubricant. We recommend Clenzoil Lube. Use Clenzoil Lube to lubricate all the parts indicated with the  oil symbol.

Periodically, check all exterior screws to make sure they are tight. Screws may loosen over time with boat vibrations.

We recommend yearly maintenance of your ATD reel with a service professional. Preventative maintenance of your ATD reel will keep the internal parts in proper working condition and prolong the life of the reel.

Storage - When storing your ATD reel, put the reel in "Free Spool" and the clicker in the on position.



Accurate Fishing Products One Year Limited Warranty **ATD** Reels

ATD

Warranty



How Long Does The Limited Warranty Coverage Last? This limited warranty runs for a period of one (1) year starting from the date that the ATD reel was first purchased by the consumer. Coverage terminates if you sell or otherwise transfer the reel.

What Does The Limited Warranty Cover? Accurate Fishing Products warrants to the original purchaser that its ATD fishing reels are free from defects in material and workmanship with the exceptions stated below. Accurate Fishing Products will also, free of charge, lubricate your ATD reel one (1) time per year during the term of this Limited Warranty.

What Is Not Covered By This Limited Warranty? This limited warranty does not cover damage or problems caused by misuse, abuse, neglect, accident, installation, alterations or failure to properly maintain the reel.

What Will Accurate Fishing Products Do? Accurate Fishing Products will repair or replace any reel which is defective in material or workmanship covered by this limited warranty at no charge. Accurate Fishing Products will also, free of charge, lubricate your ATD reel one (1) time per year during the term of this Limited Warranty.

How Do You Get Service? If something goes wrong with your reel, or you want to receive the annual lubrication service, send it to Accurate Fishing Products, postage pre-paid, along with a sales receipt or other proof of the date of purchase. Be sure your reel has been registered through our website and include a filled-out service form or a note explaining the problem. Send the ATD reel to Accurate Fishing Products at:

Accurate Fishing Products 807 E. Parkridge Avenue, Corona, California 92879.

You can find the service form and reel registration on our website at <https://accuratefishing.com/help>

You can also check out this link for an authorized service center near you: <https://accuratefishing.com/accurate-service-centers/>

Please pack your reel with any parts that have been removed securely in a sturdy box. Be certain that your package is adequately insured and mailed with a shipping company that has tracking capabilities and include the service form or note. Accurate Fishing Products will inspect your reel and contact you within 30 days of receipt to inform you whether the problem is covered by this limited warranty. There is no charge for the inspection.

What Are The Warranty Limitations And Limitations Of Liability? There are no other express warranties. Any warranty of merchantability or fitness for a particular purpose is limited to the duration of this limited warranty. Accurate Fishing Products shall NOT be liable for any loss of use, loss of time, inconvenience, commercial loss, or other incidental or consequential damages. Some states do not allow limitations on how long an implied warranty lasts, or the exclusion or limitation of incidental or consequential damages, so the above limitations and exclusions may not apply to you. This limited warranty gives you specific legal rights, you may have additional rights which vary from state to state.

Accurate[®]

For More Information

Visit Accurate Fishing[®] Online At:

www.ACCURATEFISHING.com



@ACCURATEFISHING

Additional Reel Information
Reel Service And Maintenance Tips
Additional Accessories
Charters, Trips, And Lodges