



# 62 Compression Latch

Lift & turn series · Flush style · Adjustable grip

- Low profile
- Easy grip adjustment
- Intuitive operation

### Material and Finish

Zinc alloy, powder coated or chrome plated and steel, zinc plated

### Performance Details

Maximum static load: 220N (50 lbf)

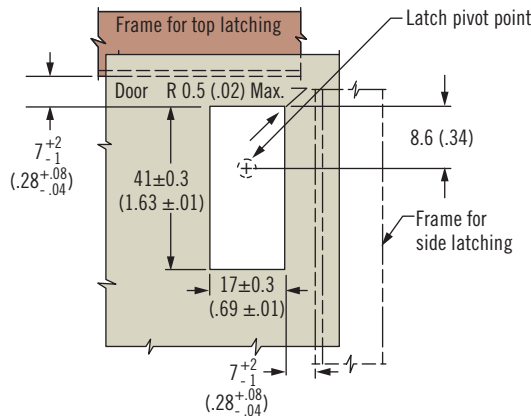
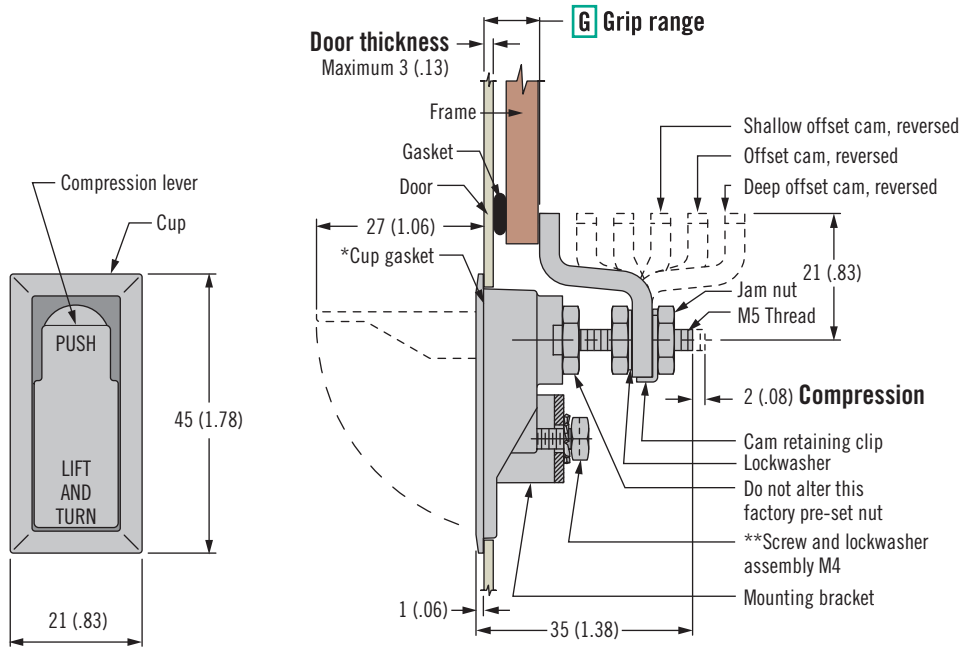
### Sealing Notes

\* Sealing the mounting screw threads required.

### Installation Notes

\*\*Screw and lockwasher assembly M4 x 10. For door thickness greater than 3 (.11) calculate screw length using the following formula:  
Door thickness + 7 (.28)

\*\*\*Add 0.4 (.02) to door thickness when using cup gasket



### Part Number Selection

See table



#### S Sealing option

- 0 No Gasket
- 4 Gasket Included see \*sealing and \*\*\*installation notes

#### F Finish

- 1 Polished chrome
- 2 Brushed chrome
- 5 Black powder coated

| G Grip | Minimum     | Maximum     | Cam Type                     |
|--------|-------------|-------------|------------------------------|
| 1      | 4.5 (.17)   | 10.5 (.41)  | Deep offset cam, forward     |
|        | 34.5 (1.35) | 40.5 (1.59) | Deep offset cam, reversed    |
| 2      | 10.5 (.41)  | 16.5 (.65)  | Offset cam forward           |
|        | 28.5 (1.12) | 34.5 (1.35) | Offset cam reverse           |
| 3      | 16.5 (.65)  | 22.5 (.88)  | Shallow offset cam, forward  |
|        | 22.5 (.88)  | 28.5 (1.12) | Shallow offset cam, reversed |

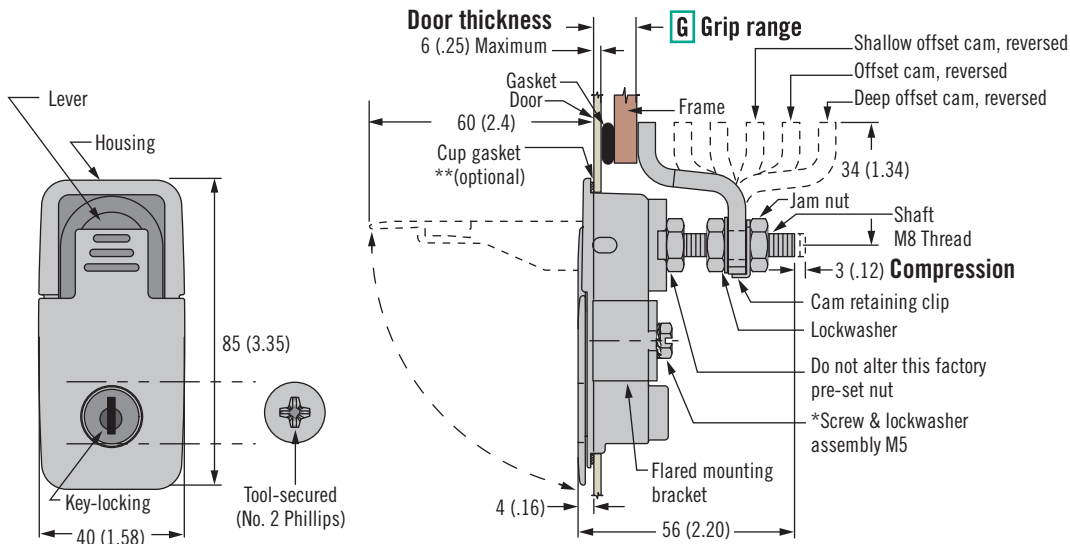
Other options available. For complete details on variety, part numbers, installation and specification, go to

**INFO CLIC** [www.southco.com/62](http://www.southco.com/62)

Dimensions in millimeters (inch) unless otherwise stated

# 62 Compression Latch

Lift & turn series · Flush style · Adjustable grip



- Low profile
- Intuitive operation

### Material and Finish

Zinc alloy, powder coated or chrome plated and steel, zinc plated

### Performance Details

Maximum static load:  
440 N (100 lbf)

### Sealing Notes

Environmental sealing is achieved by using a cup gasket and sealing the mounting screw threads.

### Installation Notes

\*Screw and lockwasher assembly M5 x 16. For door thickness greater than 6 (.25) calculate screw length using the following formula:  
Door thickness + 10 (.39)

\*\*Add 0.4 (.02) to door thickness when using cup gasket

### Accessories

Cup gasket:  
Part number: 62-973-431

### Keys

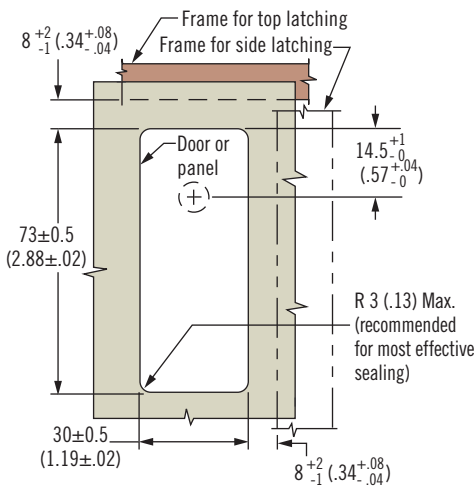
PK-10-01  
See page 90

### Notes

For lock core selection and a complete overview of the *SOUTHCO*® Key-Choice System see page 158

### Part Number Selection

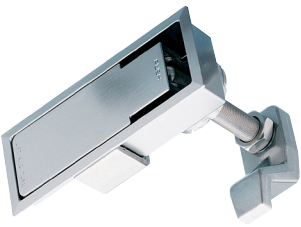
See table



**62 - 4 L - G F 1 - P**

- L** Lock style
  - 0 Non-locking
  - 2 Key-locking without dust shutter keyed alike CH751
  - 3 Tool secured No. 2 Phillips
  - 20 4 mm Hex Recess
  - 21 Locking without lock core (order separately see page 158)
- P** Packaging option
  - 3 Layer packed
  - 2 Individually packed
- F** Finish
  - 0 Textured chrome
  - 1 Polished chrome
  - 5 Black powder coated

| Grip | Minimum   | Maximum   | Cam Type                     |
|------|-----------|-----------|------------------------------|
| 1    | 6 (.23)   | 16 (.63)  | Deep offset cam, forward     |
|      | 56 (2.20) | 66 (2.59) | Deep offset cam, reversed    |
| 2    | 16 (.63)  | 26 (1.02) | Offset cam forward           |
|      | 46 (1.81) | 56 (2.20) | Offset cam reverse           |
| 3    | 26 (1.02) | 36 (1.41) | Shallow offset cam, forward  |
|      | 36 (1.41) | 46 (1.81) | Shallow offset cam, reversed |



# 62 Compression Latch

Lift & turn series · Flush style · Adjustable grip

- Low profile when latched
- Easy grip adjustment
- Intuitive operation

### Material and Finish

Zinc alloy, chrome brushed and steel, zinc plated

### Performance Details

Maximum static load:  
1250 N (280 lbf)

### Installation Notes

\*Screw and lockwasher assembly 5/16-18UNC x 3/4.  
For door thickness greater than 6 (.25) calculate screw length using the following formula:  
Door thickness + 7 (.28)

### Accessories

Actuator for three point locking assembly (order separately)  
Part number: 62-19-501-15

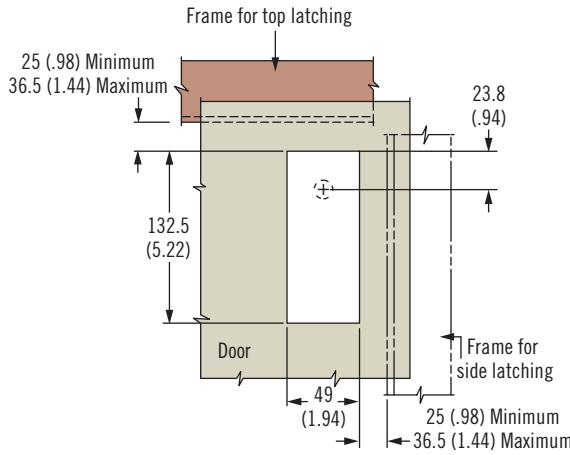
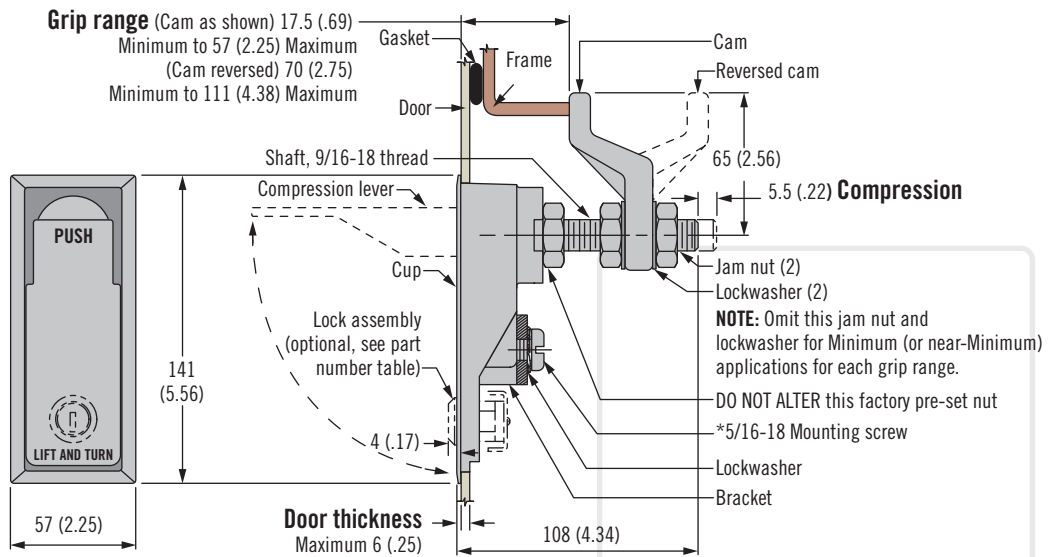


### Keys

See page 90

### Part Number Selection

See table



ACTUAL SIZE

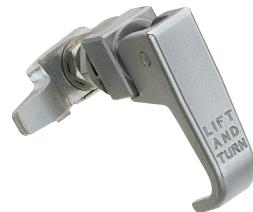
- H** Head style  
**0** Non-locking  
**1** Key-locking keyed alike CH751 (two flat keys supplied)

**62 - 10 - 8 H 1 - 20**

Other options available. For complete details on variety, part numbers, installation and specification, go to

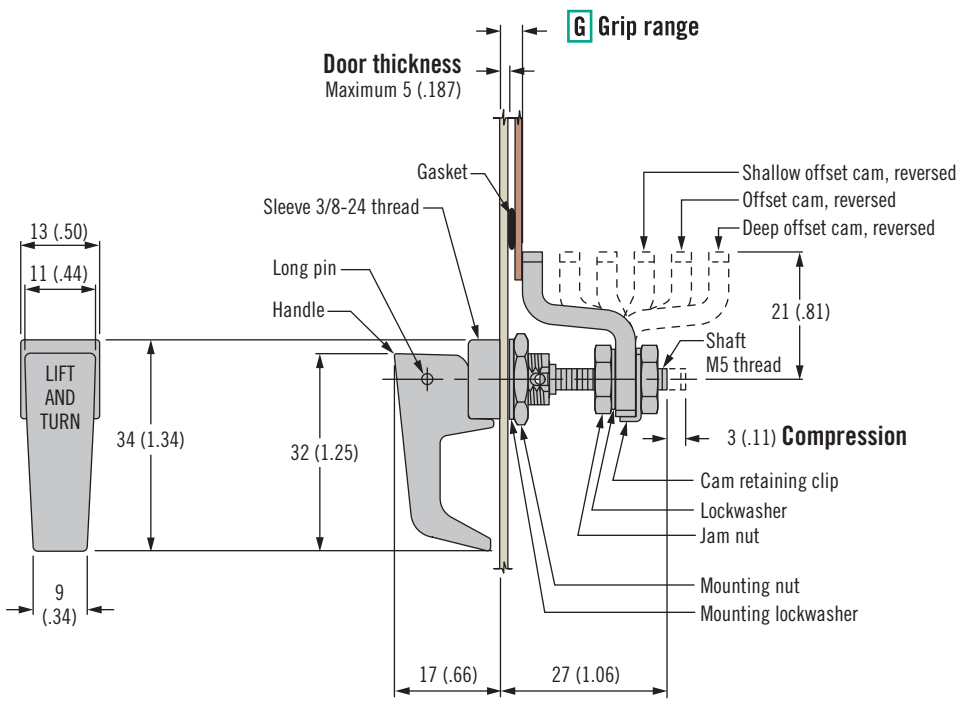
**INFO CLIC** [www.southco.com/62](http://www.southco.com/62)

Dimensions in millimeters (inch) unless otherwise stated



# 62 Compression Latch

Lift & turn series · Handle style · Adjustable grip



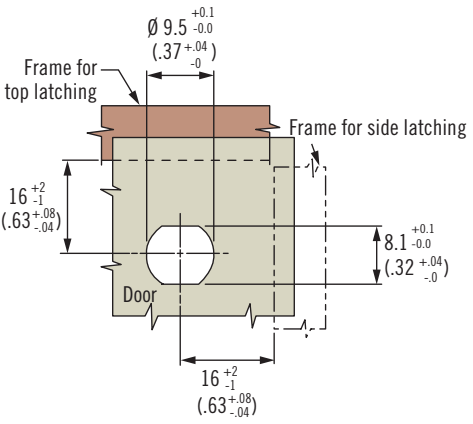
- Easy grip adjustment
- Intuitive operation

### Material and Finish

Zinc alloy, powder coated or chrome plated and steel, zinc plated

### Performance Details

Maximum static load: 220 N (50 lbf)



### Part Number Selection

See table

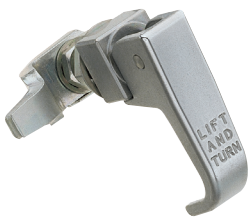
62 - 20 - **G** **F**

- F** Finish
- 1 Polished chrome
  - 5 Black powder coated

| <b>G</b> Grip | Minimum   | Maximum   | Cam Type                     |
|---------------|-----------|-----------|------------------------------|
| 1             | 0 (0)     | 4 (.16)   | Deep offset cam, forward     |
|               | 28 (1.10) | 34 (1.34) | Deep offset cam, reversed    |
| 2             | 4 (.16)   | 10 (.39)  | Offset cam, forward          |
|               | 22 (.87)  | 28 (1.10) | Offset cam, reverse          |
| 3             | 10 (.39)  | 16 (.63)  | Shallow offset cam, forward  |
|               | 16 (.63)  | 22 (.87)  | Shallow offset cam, reversed |

Other options available. For complete details on variety, part numbers, installation and specification, go to

**INFO CLIC** [www.southco.com/62](http://www.southco.com/62)



# 62 Compression Latch

Lift & turn series · Handle style · Adjustable grip

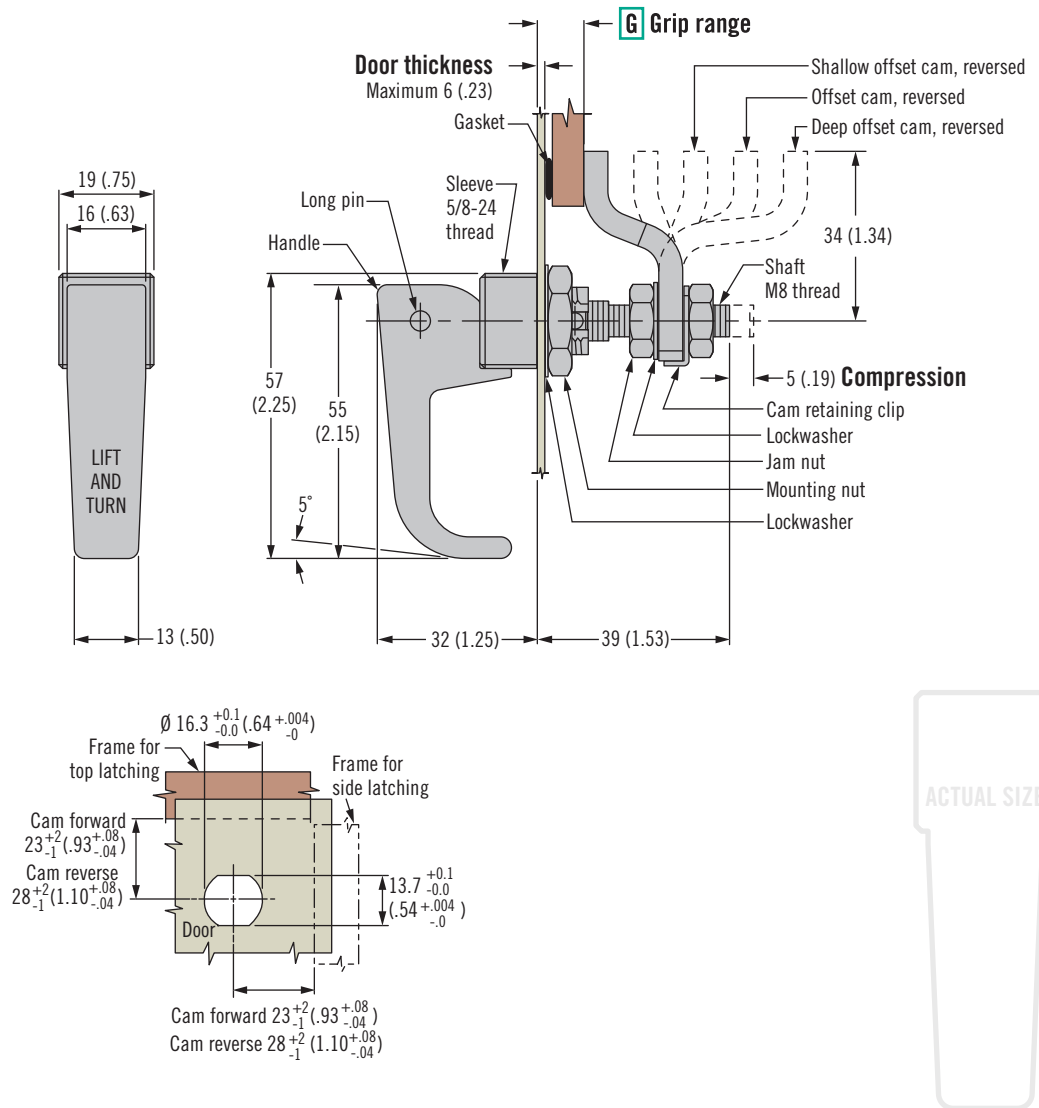
- Easy grip adjustment
- Intuitive operation

### Material and Finish

Zinc alloy, powder coated or chrome plated and steel, zinc plated

### Performance Details

Maximum static load:  
550 N (125 lbf)



### Part Number Selection

See table

| <b>G</b> Grip | Minimum   | Maximum   | Cam Type                     |
|---------------|-----------|-----------|------------------------------|
| <b>1</b>      | 42 (1.66) | 52 (2.05) | Deep offset cam, reversed    |
|               | 2 (.08)   | 12 (.47)  | Offset cam, forward          |
| <b>2</b>      | 32 (1.25) | 42 (1.66) | Offset cam, reversed         |
|               | 12 (.47)  | 22 (.87)  | Shallow offset cam, forward  |
| <b>3</b>      | 22 (.87)  | 32 (1.25) | Shallow offset cam, reversed |

- F** Finish
- 1 Polished chrome
  - 2 Brushed chrome
  - 3 Natural with chemical protective film
  - 5 Black powder coated

Dimensions in millimeters (inch) unless otherwise stated

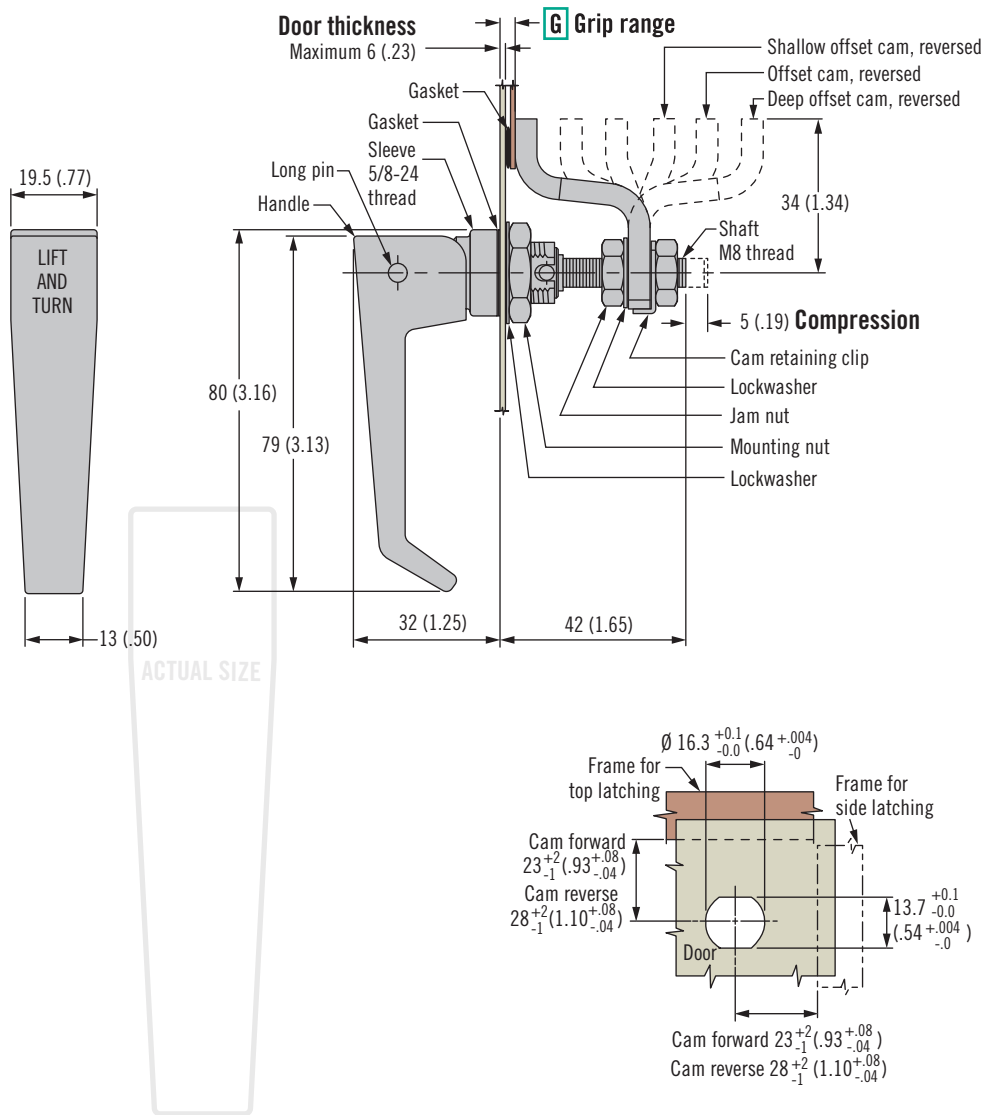
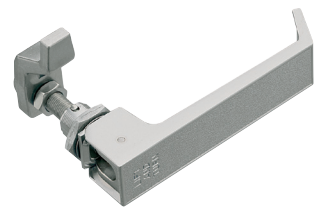
Other options available. For complete details on variety, part numbers, installation and specification, go to



[www.southco.com/62](http://www.southco.com/62)

# 62 Compression Latch

Lift & turn series · Handle style · Adjustable grip



- Easy grip adjustment
- Intuitive operation

### Material and Finish

Zinc alloy, powder coated or chrome plated and steel, zinc plated

### Performance Details

Maximum static load:  
670 N (150 lbf)

### Notes

Larger sizes available, visit  
[www.southco.com/62](http://www.southco.com/62)

### Part Number Selection

See table

**62 - 30 - G F**

**G** Grip

**F** Finish

|          | <b>G</b> Grip | Minimum   | Maximum   | Cam Type                  |
|----------|---------------|-----------|-----------|---------------------------|
| <b>1</b> |               | 0 (0)     | 5 (.20)   | Deep offset cam, forward  |
|          |               | 45 (1.77) | 55 (2.16) | Deep offset cam, reversed |
| <b>2</b> |               | 5 (.20)   | 15 (.59)  | Offset cam, forward       |
|          |               | 35 (1.37) | 45 (1.77) | Offset cam, reversed      |
| <b>3</b> |               | 15 (.59)  | 25 (.98)  | Shallow forward           |
|          |               | 25 (.98)  | 35 (1.37) | Shallow reversed          |

**1** Polished chrome

**2** Brushed chrome

**5** Black powder coated



The composite Lift & Turn latch is a light- to medium-duty latch, utilizing engineering plastic in its major components to reduce weight yet maintain excellent strength. When the lever is in the upright position, it rotates 360° to move the cam behind the support in any one of three 90° positions. Once in place, the lever closes flush with the housing, providing 5 mm of axial pull, locking the device with an over-center action.

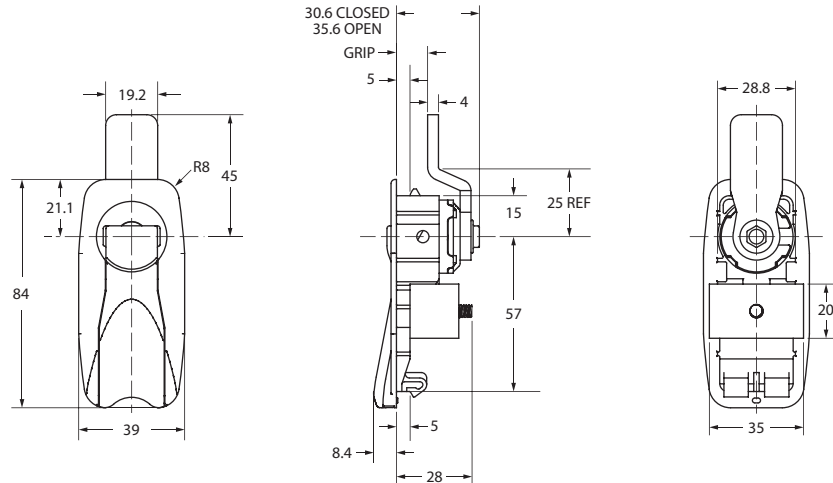
The latch is secured into a panel by a mounting bracket that adjusts to various thicknesses. Snap-in installation is provided for 5 mm thick panels. By using cams of various offsets, different grip ranges are easily accommodated.

### Features

- Broad Application Range**  
 Latch can be fitted to panel range 0.5 mm – 9.0 mm and has a grip range of between 10.5 mm – 49.4 mm
- Double Action Latching & Compression**  
 Allows secure fastening of doors and panels which contain gaskets and seals
- No Adjustments Required When Fitted**  
 Fixed cam design prevents incorrect grip setting
- 4 Cam Orientation Settings**  
 Cam may be fitted at 90° / 180° / 270° / 360° to the latch body center line, allowing for a wide variety of mounting positions
- Robust Polyamide Construction**  
 High strength nylon is used in the main components to ensure a durable product. The material has a V2 flammability rating to UL94

### Typical Applications

- Telecoms base station doors & side access panels
- Electrical switchgear cabinets
- Computer server racks & enclosures
- Games machine doors & panels
- HVAC control equipment enclosures
- Storage lockers on stations/building sites
- Cupboards/lockers on trains/boats/commercial vehicles



#### Notes:

1. Panel hole dimensions: 73 mm x 30 mm for panel thickness 0.5 mm to 5.0 mm;  
75 mm x 30 mm for panel thickness 5.1 mm to 9.0 mm.
2. Latch shown in closed position.

### Parts Selection

Latch bodies and cams are ordered separately. Choose cam based on grip range required for your application.

#### Latch Body

| Part Number | 62-424-700 |
|-------------|------------|
|-------------|------------|

#### Cam

| Grip Range (mm) | Cam Offset (mm) | Cam Part Number |
|-----------------|-----------------|-----------------|
| 10.5 to 12.4    | -14             | E5-6003         |
| 12.5 to 14.4    | -12             | E5-6004         |
| 14.5 to 16.4    | -10             | E5-6005         |
| 16.5 to 19.4    | -8              | E5-6006         |
| 20.5 to 21.4    | -4              | E5-6008         |
| 21.5 to 23.4    | -2              | E5-6009         |
| 23.5 to 25.4    | Flat            | E5-6010         |
| 25.5 to 27.4    | 2               | E5-6011         |
| 27.5 to 29.4    | 4               | E5-6012         |
| 29.5 to 30.4    | 6               | E5-6013         |
| 31.5 to 33.4    | 8               | E5-6014         |
| 33.5 to 35.4    | 10              | E5-6015         |
| 35.5 to 37.4    | 12              | E5-6016         |
| 37.5 to 39.4    | 14              | E5-6017         |
| 39.5 to 40.4    | 16              | E5-6018         |
| 41.5 to 43.4    | 18              | E5-6019         |
| 43.5 to 45.4    | 20              | E5-6020         |
| 45.5 to 47.4    | 22              | E5-6021         |
| 47.5 to 49.4    | 24              | E5-6022         |

All dimensions on this page are in millimeters.

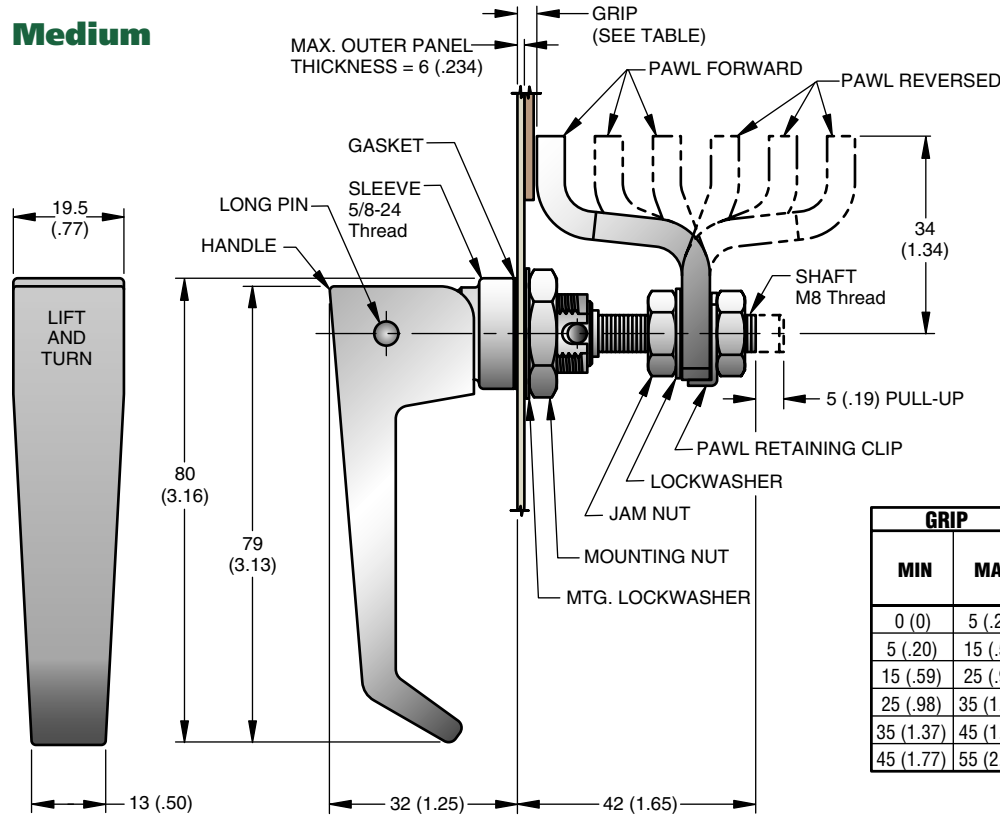


# Southco® Compression Latches

## Lift and Turn Series, Handle Style

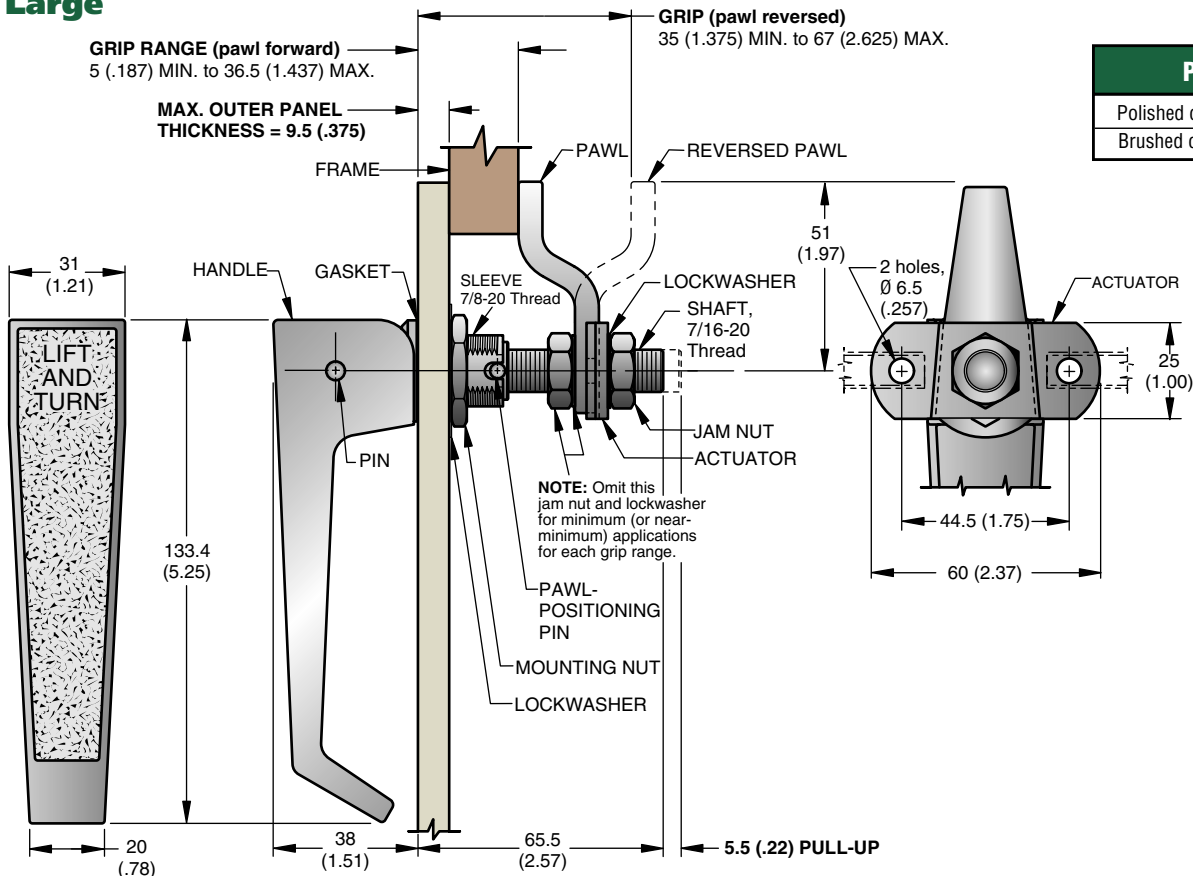
- Medium and Large sizes
- Use actuator with Large size for 3-point latching (See pages 160 to 164)

### Medium



| GRIP      |           | PART NUMBER     |                |                     |
|-----------|-----------|-----------------|----------------|---------------------|
| MIN       | MAX       | POLISHED CHROME | BRUSHED CHROME | BLACK POWDER COATED |
| 0 (0)     | 5 (.20)   | 62-30-11 •      | 62-30-12 •     | 62-30-15 •          |
| 5 (.20)   | 15 (.59)  | 62-30-21 •      | 62-30-22 •     | 62-30-25 •          |
| 15 (.59)  | 25 (.98)  | 62-30-31 •      | 62-30-32 •     | 62-30-35 •          |
| 25 (.98)  | 35 (1.37) | 62-30-31 •      | 62-30-32 •     | 62-30-35 •          |
| 35 (1.37) | 45 (1.77) | 62-30-21 •      | 62-30-22 •     | 62-30-25 •          |
| 45 (1.77) | 55 (2.16) | 62-30-11 •      | 62-30-12 •     | 62-30-15 •          |

### Large

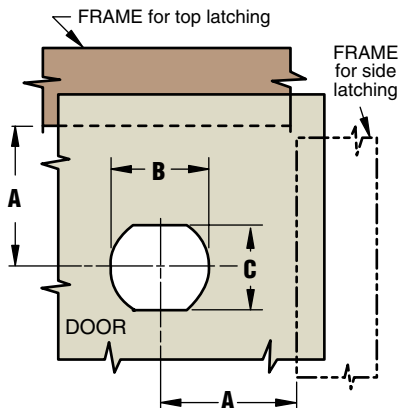


| PART NUMBER     |                |
|-----------------|----------------|
| Polished chrome | 62-10-603-10 • |
| Brushed chrome  | 62-10-603-20 • |



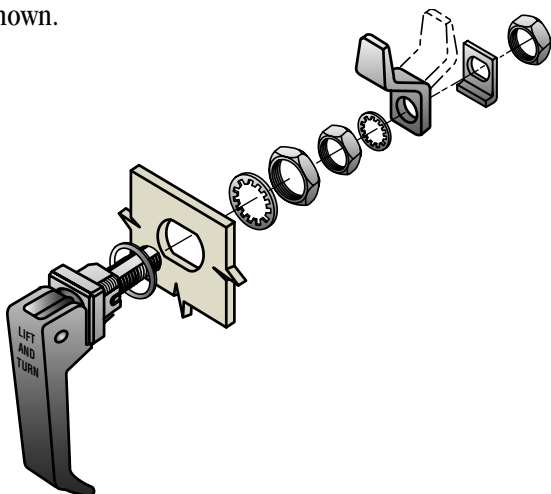
## Installation

1. Locate and orient hole with respect to handle in latched position as shown in next step. This hole orientation is preferred for all latching positions.

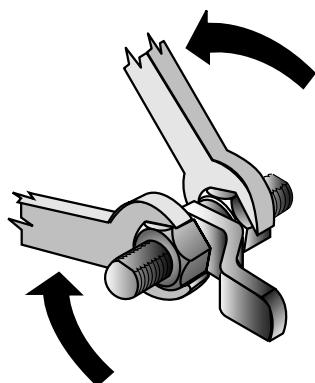


| DIMENSIONS | SERIES  |   |
|------------|---|---|
|            | MEDIUM  | LARGE   |
| A          | 23 <sup>+2</sup> <sub>-1</sub> PAWL FORWARD<br>(.93 ±.06)                           | 41 MIN.<br>(1.623)  |
|            | 28 <sup>+2</sup> <sub>-1</sub> PAWL REVERSED<br>(1.10 ±.06)                         | 47.5 MAX.<br>(1.875)  |
| B          | ∅ 16.5 <sup>+0.1</sup> <sub>-0.0</sub><br>(.640 <sup>+.005</sup> <sub>-.000</sub> ) | ∅ 22 <sup>+0.2</sup> <sub>-0.0</sub><br>(.875 <sup>+.010</sup> <sub>-.000</sub> ) |
| C          | 13.7 <sup>+0.1</sup> <sub>-0.0</sub><br>(.540 <sup>+.005</sup> <sub>-.000</sub> )   | 19 <sup>+0.2</sup> <sub>-0.0</sub><br>(.750 <sup>+.010</sup> <sub>-.000</sub> )   |

2. Assemble as shown.



3. Pawl should be adjusted to GRIP measurement with the door open and the handle in the LATCHED position. Use two wrenches to tighten.



## Material and Finish

HANDLE and SLEEVE: Die-cast zinc (see table).  
 WASHER and SPRING: 302 Stainless steel, passivated.  
 O-RING: Buna-N rubber, natural.  
 LONG PIN and SHAFT: 303 Stainless steel, passivated or passivated with black oxide.  
 GASKET: Fibre, natural.  
 PAWL POSITIONING PIN: 303 Stainless steel, natural or with black oxide.

### For medium style

BUSHING: Aluminum, natural or with black organic coating.  
 NUTS: Low carbon steel, zinc plate, chromate plus sealer.  
 PAWL and PAWL RETAINING CLIP: 1010 Steel, zinc plate, chromate plus sealer.

### For large style

PAWL and ACTUATOR: 1010 Steel, zinc alloy plate, bright chromate plus sealer.  
 WASHER: 303 Stainless steel, passivated.  
 BUSHING: Aluminum, natural.  
 MOUNTING NUT: Brass, zinc plate, chromate plus sealer.  
 LOCKWASHERS: Spring steel, zinc alloy plate, bright chromate plus sealer.  
 JAM NUTS: Low carbon steel, zinc alloy plate, bright chromate plus sealer.

## Product Strength Guidelines

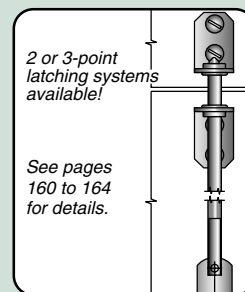
(To assist in your product selection; samples are available for your evaluation.)

### Medium style

Maximum static load: 670 N (150 lbs.)  
 Average ultimate load: 1100 N (250 lbs.)

### Large style

Maximum static load: 890 N (200 lbs.)  
 Average ultimate load: 1550 N (350 lbs.)



**Note:** Contact Southco for information on handles without lettering.

millimeter (inch)  
 millimeter (inch)

Dimensions without tolerances are for reference only.

# Southco® Compression Latches

## Lift and Turn Series, Handle Style

- Heavy-duty
- Optional padlock bracket
- Use with actuator for 3-point latching (See pages 160 to 164)

### Material and Finish

**HANDLE and SLEEVE:** Die-cast zinc, chrome plated. **MOUNTING NUT and PAWL:** Die-cast zinc with chemical protective film. **GASKET:** Fibre, natural. **SPRING and WASHER:** 302 Stainless steel, passivated. **O-RING:** Buna-N Rubber, natural. **LONG PIN:** 303 Stainless steel, natural. **PAWL POSITIONING PIN:** 1213 Steel, zinc alloy plate, bright chromate plus sealer. **SHAFT and BUSHING:** Low carbon steel, zinc alloy plate, bright chromate plus sealer. **JAM NUTS:** Low carbon steel, zinc plated plus chromate dip. **LOCKWASHER:** Spring steel, zinc plated plus chromate dip. **PAWL LOCKWASHERS:** Spring steel, zinc plated plus bright chromate dip.

**OPTIONAL PADLOCK BRACKET:** 302 Stainless steel, passivated.

### FOR 3-POINT LATCHING SYSTEMS

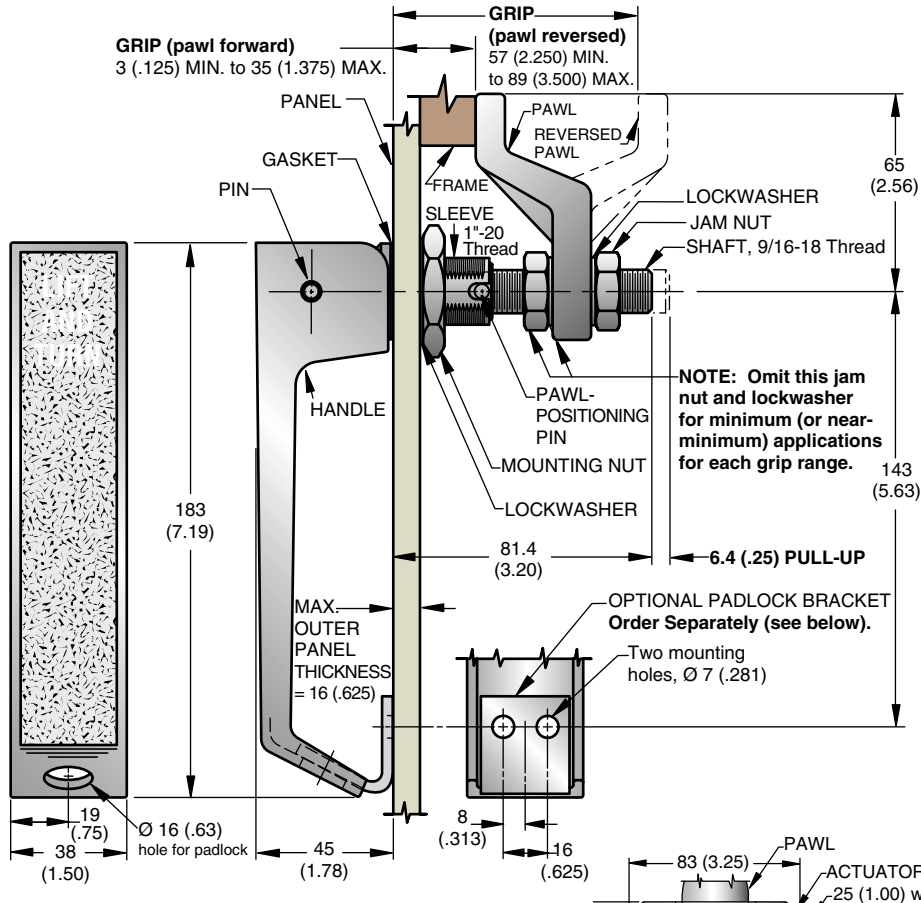
**ACTUATOR:** 1010 Steel, zinc alloy plate, bright chromate plus sealer.

### Product Strength Guidelines

(To assist in your product selection; samples are available for your evaluation.)

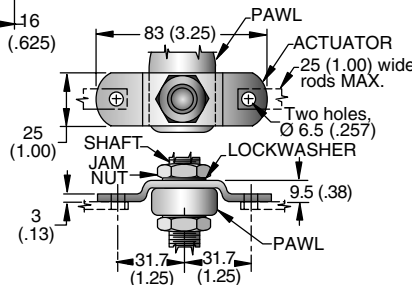
Maximum static load: 1250 N (280 lbs.)  
Average ultimate load: 2200 N (500 lbs.)

| PART NUMBER     |                |
|-----------------|----------------|
| Handle Assembly | 62-10-503-10 • |
| Padlock Bracket | 62-36-501-24 • |
| Actuator        | 62-19-501-15 • |



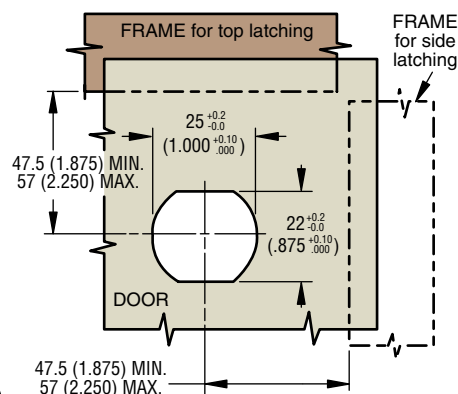
### ACTUATOR for 3-point latching.

2 or 3-point latching systems available!  
See pages 160 to 164 for details.

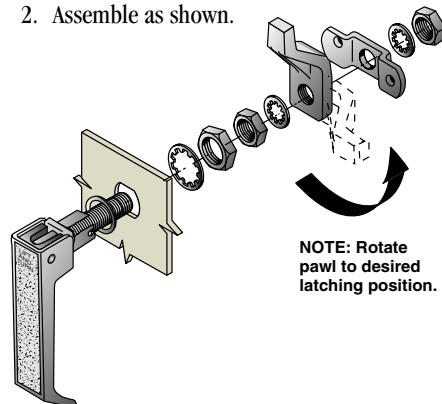


### Installation

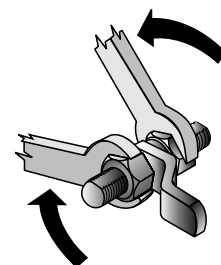
1. Locate and orient hole with respect to handle in latched position as shown in next step. This hole orientation is preferred for all latching positions.



2. Assemble as shown.



3. Pawl should be adjusted to GRIP measurement with the door open and the handle in the LATCHED position. Use two wrenches to tighten.



millimeter (inch)  
millimeter  
(inch)

Dimensions without tolerances are for reference only.