

**Dimensions in Inches (Millimeters)**

**Model: SFBS-20-01**

**CAUTION** Switch must be mounted equal to or above the pump base for positive shut-off.

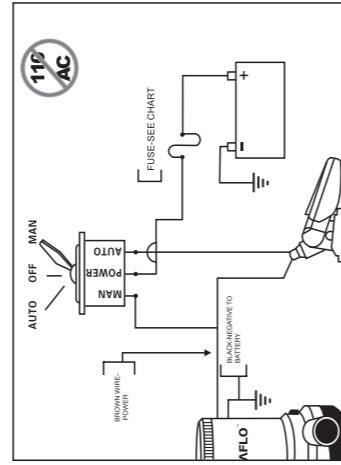
**CAUTION** Keep all wire connections above the highest water level. Wires must be joined with connectors and a marine grade sealant to prevent wire corrosion.

All mounting holes must be sealed with a marine grade sealant to prevent water intrusion.

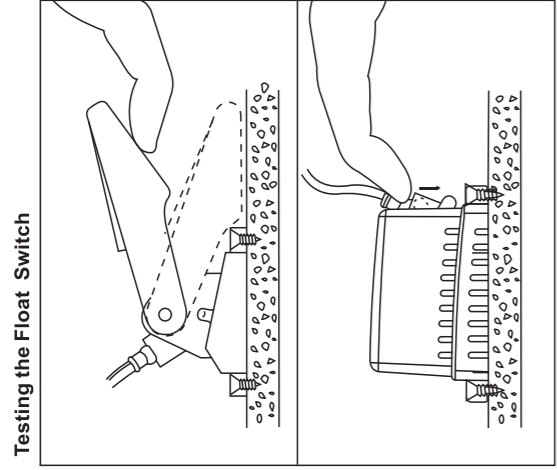
7

**CAUTION** Always install proper size fuse to prevent damage. Should a short occur, failure to install proper fuse could increase risk of pump malfunction and potentially result in personal injury and/or fire hazard.

Model	Voltage	Wire Size	Wire Length	Max. Amps	Guard
SFBS-20-01	12/24/32VDC	18 Gauge (1.2mm)	1m	20A(12V) 10A(24V) 5A(32V)	No

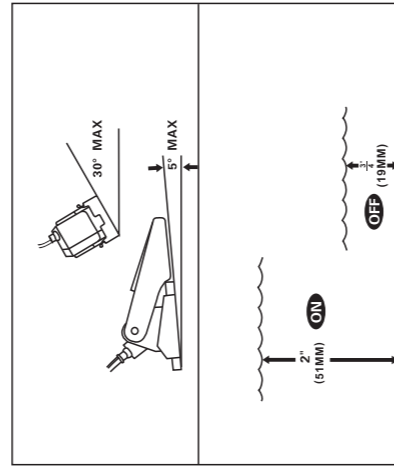


10

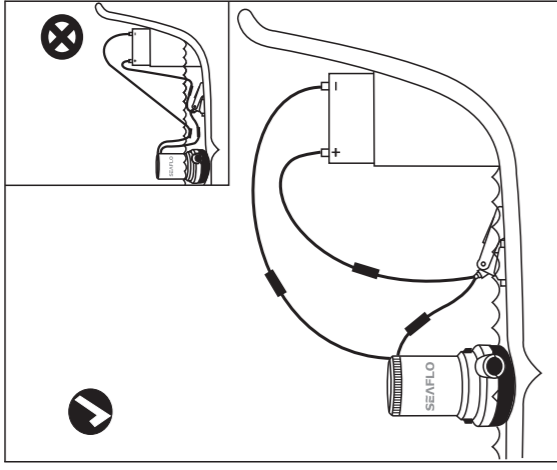


8

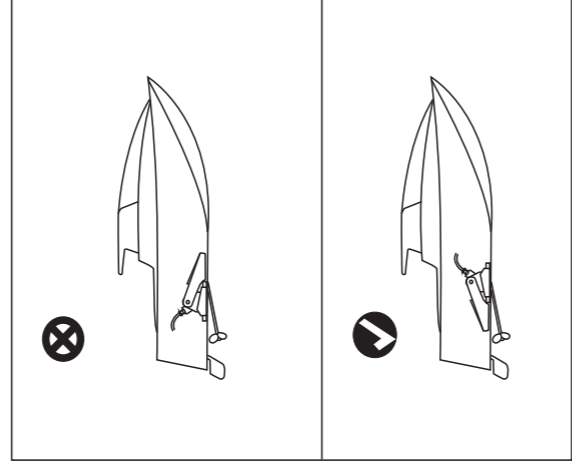
**CAUTION** Disconnect power from the system before working on the unit to avoid personal injury, damage to the surrounding environment and/or damage to the unit.



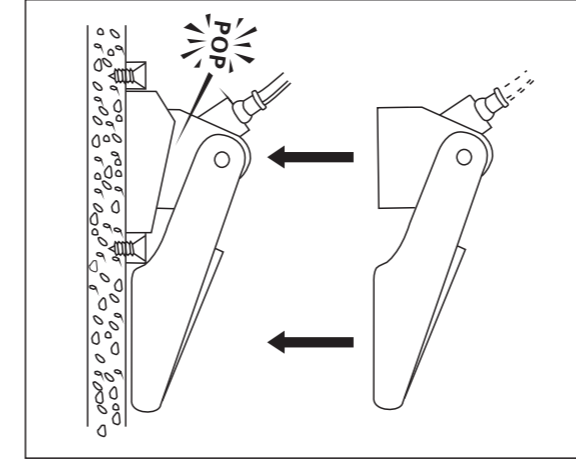
11



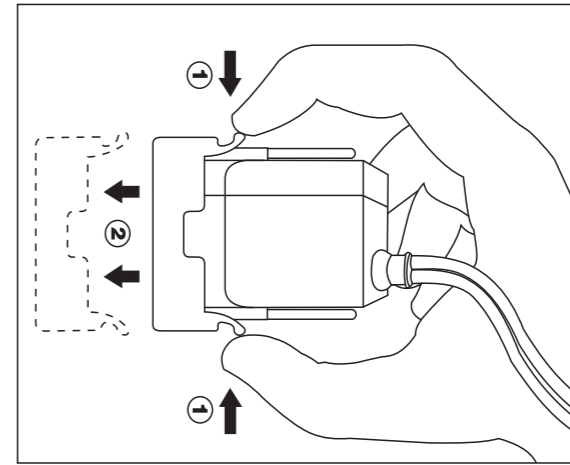
9



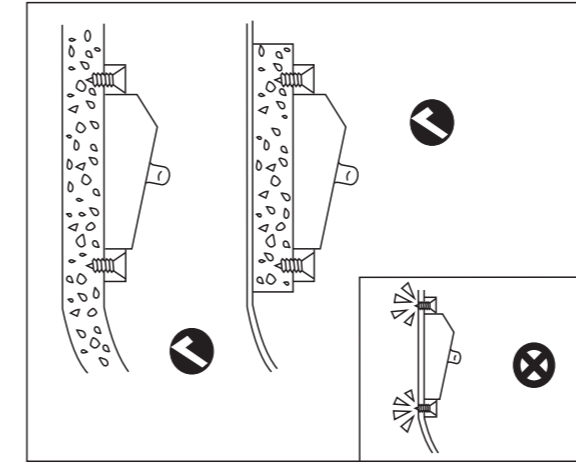
12



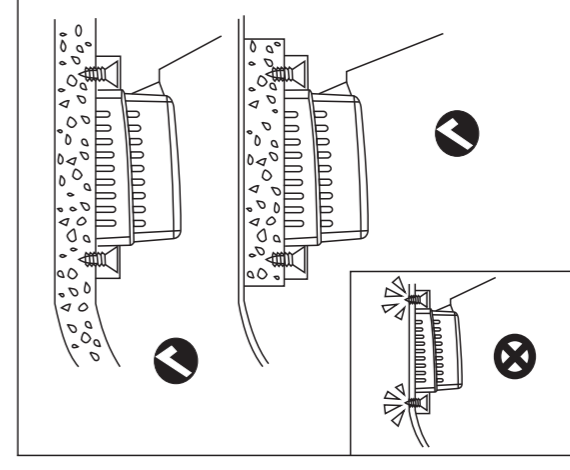
9



3



5



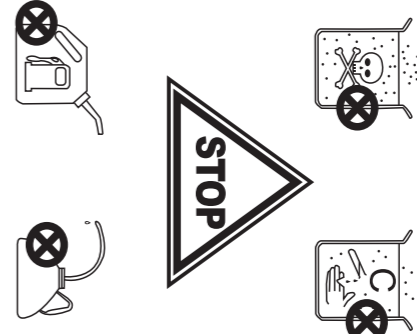
2

# SEAFLO

## Float Switch

### Instruction Manual

1



**WARNING**  
This unit is designed for fresh water and salt water. ONLY. Using with any other hazardous, caustic, or corrosive material could result in damage to the pump and the surrounding environment, possibly exposure to hazardous substances and injury.