



M1 Push-to-Close Latch

38mm (1.5") · Stainless steel

- Single, round-hole installation
- Locking style restricts access
- Premium finish and corrosion resistance
- Privacy lock on locking version

Material and Finish

Latch: 316 grade stainless steel, bright polished
 Spacer: Nylon, black
 Contact Southco for other finishes

Performance Details

Maximum static load:
 545 N (122 lbf)

Accessories

One key supplied per latch for additional keys order
 M7-88-9121324-S



Spacer: M1-510-96-1
 (Sold separately)

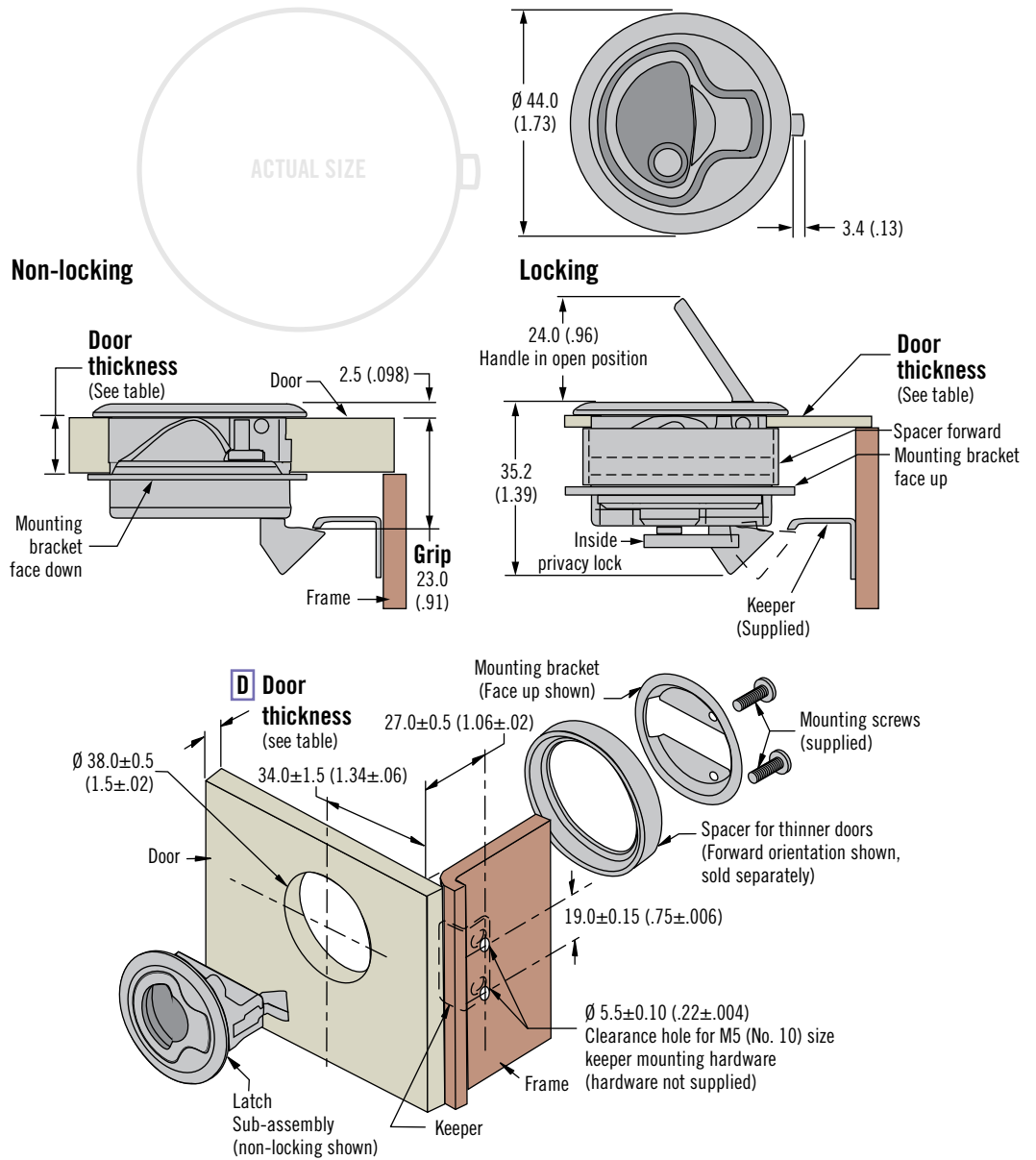


Keeper: M1-510-19-8

Mounting screws: M1-510-96-4

Installation Notes

Use the reference table to determine if a spacer is required for the door thickness and the correct mounting bracket orientation. The spacer shown is in the forward position.



D Door Thickness	Spacer Orientation	Mounting Bracket Orientation
1.0 - 7.0 (.04 - .28)	Forward	Face Up
7.0 - 13.0 (.28 - .51)	(not required)	Face Up
13.0 - 19.0 (.51 - .75)	(not required)	Face Down

Part Number Selection

M1-15 - **L** 1 - 8

L Lock style
 4 Locking (one tubular key supplied)
 6 Non-locking

Other options available. For complete details on variety, part numbers, installation and specification, go to



www.southco.com/M1

Dimensions in millimeters (inch) unless otherwise stated