



# Midwest Electric Products, Inc.

Quality Weatherproof  
Electrical Equipment

## marina products catalog



MEPC-MARINA  
2007

## Available Models:



### DockPro

- Thermoplastic NEMA 3R enclosure with aluminum extrusion frame
- Power under same door
- Phone & TV under separate flipcover
- 360° florescent or incandescent lighting for better visibility
- Electronic metering option
- Water shroud is included
- UL & CUL listed (UL)
- Receptacles can be metered separately per special request



### DockMaster

- Injection molded GE thermoplastic
- Power, phone & TV under same door
- Energy saving fluorescent light & photocell
- Electronic metering option
- Water shroud is included
- Crisp, clean appearance
- UL & CUL listed (UL)



### DockMate

- Power center for Dockbox (head only)
- Post or surface units
- Injection molded GE thermoplastic
- Electronic metering option
- Water shroud option
- Energy saving fluorescent light & photocell
- UL & CUL listed (UL)
- Pedestal galvanized or stainless steel (painted)



### Dockhand

- Compact, durable and economical
- Painted galvanized steel
- Post or surface units
- 4 - Jaw meter socket option or Unmetered
- UL & CUL listed (UL)



## Application Information

Today, most marinas and boat docks also provide shore power for their tenants. Midwest provides a choice, based on an area's weather conditions, along with receptacle versatility and rugged construction, while retaining an aesthetic appearance. The 2007 National Electrical Code requires:

**555-19 Receptacles:** Receptacles that provide shore power for boats are required to be single and of the locking and grounding types.

**555-17 Disconnecting Means:** A readily accessible disconnecting means shall be provided by which each boat can be isolated from its circuit supply.

**555-19(3) Branch Circuits:** Each single receptacle that supplies shore power to boats shall be supplied from a power outlet or panel board by an individual branch circuit of the voltage class and rating corresponding to the rating receptacle.

**555-15(A) Equipment to be Grounded:** The following items shall be connected to the equipment grounding conductor run with the circuit conductors in a raceway or cable:

1. Boxes, cabinets and all other metal enclosures
2. Metal frames of utilization equipment
3. Grounding terminals of grounding type receptacles

Midwest Electric offers a complete line of metered and un-metered power outlets for marina applications. All Midwest marina power outlets utilize corrosion resistant, grounding and locking type receptacles with individual circuit breaker protection enclosed in a single, easy-to-install enclosure. The different styles of construction in the products we manufacture include:

- Non-metallic power centers – DockPro, Dockmaster and Dockmate
- Metallic power centers – Dockhand, featuring galvanized steel construction



## Marina Products

Introduction	3
DockPro	4
DockMaster	6
DockMate	9
Dockhand	11
Accessories	13
Marina Product Warranty	14
Catalog Number Generator	15
Rep Offices and Warehouses	16





# DockPro

## Newest Product Family

The newest member of the Midwest Electric family of marina products, continues with the tradition of providing safe and reliable electrical service in an economic package. Introduced as a new product in 2002, the DockPro offers all the features and benefits found in the Dockmaster, but at less cost. With the introduction of the DockPro, along with our DockPro dock lights, we are creating a family of products using the same design style, which will look attractive in any marina.

## Aesthetics and Design

Utilizing the same GE engineered thermoplastics, VALOX™ & LEXAN®, the DockPro incorporates these materials in pre-fabricated sheets, as opposed to a molded body found on the Dockmaster. Supported by aluminum struts, the DockPro's non-metallic exterior will provide years of service and withstand the harshest of weather conditions. VALOX™ and LEXAN® are known for their high UV resistance and durability.

## Reliability, Functionality and Flexibility

Inside the DockPro, you will find the some high quality and reliable electrical components used in our other marina products, which for years, have proven to be the best in the industry. Unique to the DockPro are features such as 360° lighting, two lamp style options (screw-in Edison type or fluorescent) and individual receptacle metering capability. Take these, along with the standard features, and you have a rugged, reliable, easy-to-install, low-maintenance pedestal, at an economical price.



Front View



Interior View of Head

2 Receptacles under the door  
TV/ Telephone and 3rd receptacle GFI duplex available under Flip cover on post



# Standard Features of DockPro

## Unitized Service Panel

Panel is preconfigured to accept electrical components, telephone, cable TV, lighting and water/hose bib options.

Electrical Rating: 100 AMPs maximum rating per side (head). For use with 120/240 volt, 1 phase, 3W plus ground. (120/208 volt, 3 phase, 4W plus ground optional).

Circuit Breakers: Each receptacle is protected by a thermal magnetic circuit breaker. Ground fault circuit breakers are also available.

## Weather Resistant

VALOX™ & LEXAN® thermoplastic NEMA 3R enclosure with aluminum extrusion frame. Internal components are weather and corrosion resistant.

## Lighting

360° lighting with Edison based socket. To be used with a 15W Compact Fluorescent or an Edison Incandescent Bulb up to 40W. Given the diversity of lamp types available for use, lamps are not factory provided; however units are available with a photocell or switch control. Units supplied with clear lenses. Optional amber lens (VXAMBER) kit available.

## Loop - Feed Terminal Bar

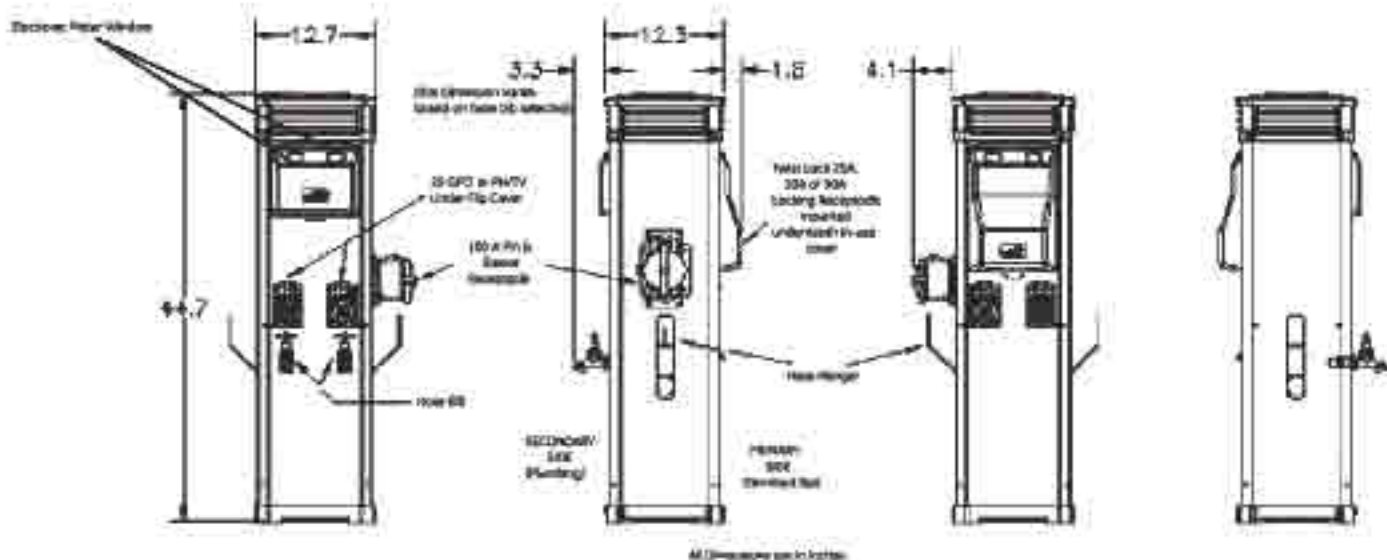
Easy to wire terminal lugs accept up to 350MCM (standard) cable. Terminal bar allows loop wiring of pedestals, eliminating expensive splicing. Units provide complete isolation of electrical, water, telephone and cable TV connections for maximum safety.

## UL Listing ®

UL and CUL® Listing "Suitable for use as marina and boatyard service equipment" (Power Outlet No. 66FL).

For DockPro Options, see page 8

For Model Number Information/option see Generator page - page 15





# DockMaster

## All the Amenities of Home

Changing lifestyles and greater personal mobility have made the marina more than a weekend retreat. For growing numbers of people, their boats are a second home or office, which increasingly requires the support of power (running water, cable TV for entertainment, information and telephone access for communication and data transmission). Dockmaster's many options make it easy to satisfy these demands. From an operator's standpoint, the emphasis is clearly on convenience & safety. All connections, except water, are grouped behind a weather resistant cover for easy access and security. Lighting options provide sure-footed walkway illumination and a clear view of the service panel for nighttime connection.

## Aesthetic and Design Flexibility

The design and construction details of Dockmaster have been engineered for appearance as well as function. Dockmaster's controlled lighting system also contributes a soft wash of accent lighting. From the business end, Dockmaster can be configured for single or double-sided service and can be equipped with individual slip metering to recover electrical costs.

## Installation, Upgrading and Maintenance Advantages

Dockmaster's economy can be realized in both the short and long term. All pedestals are factory assembled and wired to minimize on-site installation time and expense. Changing or adding service options to a basic installation is equally easy with economical upgrade kits. (Field-installable options may void UL&CUL® listing).

A final concern in any marine environment is long-term durability. Molded from GE engineered plastics, Dockmaster virtually eliminates corrosion problems and periodic maintenance. When you choose Dockmaster, you are also buying into the experience and performance that has made Midwest Electric a recognized leader in out-door electrical service equipment.



Front View



Interior View of Head

\*\*3rd receptacle available as GFCI duplex on post of DockMaster unit



# Standard Features of DockMaster

## NEW 3-Phase 100 AMP Pedestal

This unit provides for the larger slips, requiring 100 amp 3-phase electrical service (single sided pin-and-sleeve receptacle).

## Unitized Service Panel

Panel is preconfigured to accept electrical components, telephone, cable TV & lighting options. Electrical Rating: 100 amps maximum rating per side (head). For use with 120/240 volt, 1 phase, 3W plus ground. (120/208 volt, 3 phase, 4W plus ground optional)

Circuit Breakers: Each receptacle is protected by a thermal magnetic circuit breaker. Ground fault circuit breakers are also available.

## Weather Resistant

VALOX™ thermoplastic enclosure and internal components are corrosion resistant. The cover helps protect cords and plugs while maintaining a neat, clean appearance. Padlock provision provided.

## Prismatic Lens

On units equipped with lighting options, the lens effectively eliminates glare and directs light downward and outward for maximum dock illumination.

## Dress panel & oversize access panel

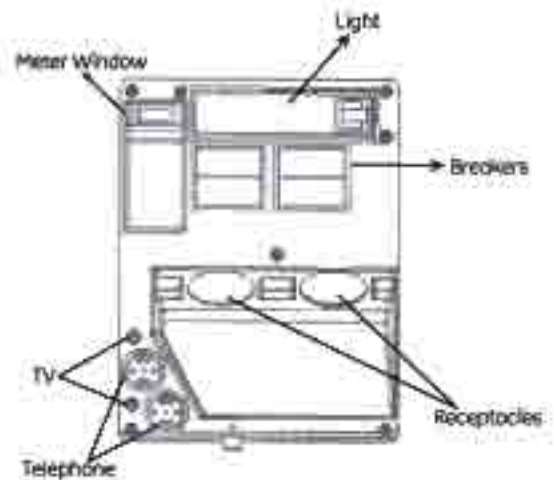
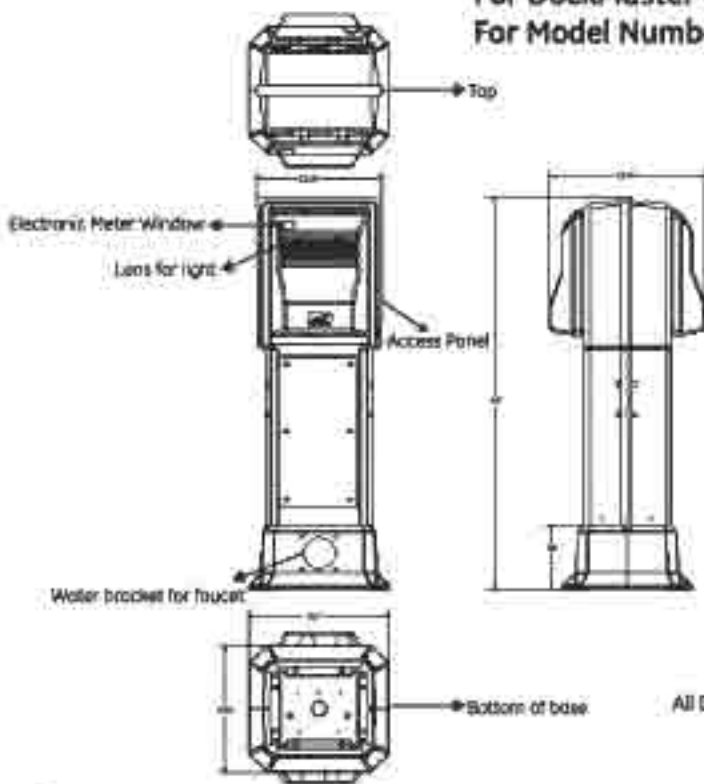
The dress panel completes the reverse side of all single-service pedestals, while the oversize access panel facilitates easy installation and upgrading.

## Base Module with Loop-Feed Terminal Bar

Easy-to-wire, 200amp rated terminal lugs, accept up to 350MCM cable. Terminal bar allows loop wiring of pedestals, eliminating expensive splicing. Unit provides complete isolation of electrical, water, telephone and cable TV connections for maximum safety.

For DockMaster Options, see page 8

For Model Number information/option see Generator page - page 15



Interior DockMaster

All Dimensions are in inches.





## DockPro and DockMaster Options

### Double Sided Service

Unit allows two slips to be serviced from the same pedestal. Service panels may be identical or individually tailored.

### Water Service

¾" hose bibs standard. Also adaptable for the other plumbing systems. Available with backflow preventors.

### Cord and Hose Storage Rack

Keeps dock area uncluttered for greater safety and better appearance. Stainless Steel construction. Dockmaster kit is UHH, DockPro kit is VHH.

### Telephone & Cable TV

Industry standard jacks are provided for direct connection.

### Lighting

Fluorescent lamps are available as an option for all service and dress panels (circuit breaker protects light circuit). DockPro is equipped with an Edison based socket (lamp is not included). Dockmate and Dockmaster models utilize a 7 or 9 watt fluorescent lamp.

### Lighting Control

Photoelectric sensor turns light on at dusk, off at dawn. When ordering a photoelectric sensor, an in-line fuse is provided for an internally wired light circuit.

---

## DockPro Light

### Marina Dockside Light Pedestal

#### DockPro Light Features

- Used as accent lighting for better visibility of dock areas and pathways
- Pedestals are available in 12" (VUZZZAUW12), 24" (VUZZZAUW24) & 42" (VUZZZAUW42) heights
- 360° lighting with Edison based socket to be used with a 15W Compact Fluorescent or and Edison Incandescent Bulb up to 40W (bulbs not provided)
- Lenses available in the following colors:
  - Clear/Opaque





# DockMate

## Dockmate Marina Power Center

The 2nd generation of Dockmate Power Centers combine those features that have made it the model of choice.

Without sacrificing quality, the Dockmate continues to provide an electrical power center that meets the demands of boaters, as well as marina operators.

Dockmate units are suitable for all types of installations (surface mount for dock box, or galvanized or stainless steel post or simply steel post. You can be assured, you are installing a high-quality safe unit, offering the widest array of options and accessories in the marketplace. The Midwest Duck is known throughout the electrical industry as being synonymous with quality and reliability.



Interior view of the head



Front View



DockMate in Dockbox  
(Dockbox provided by others)




Open View

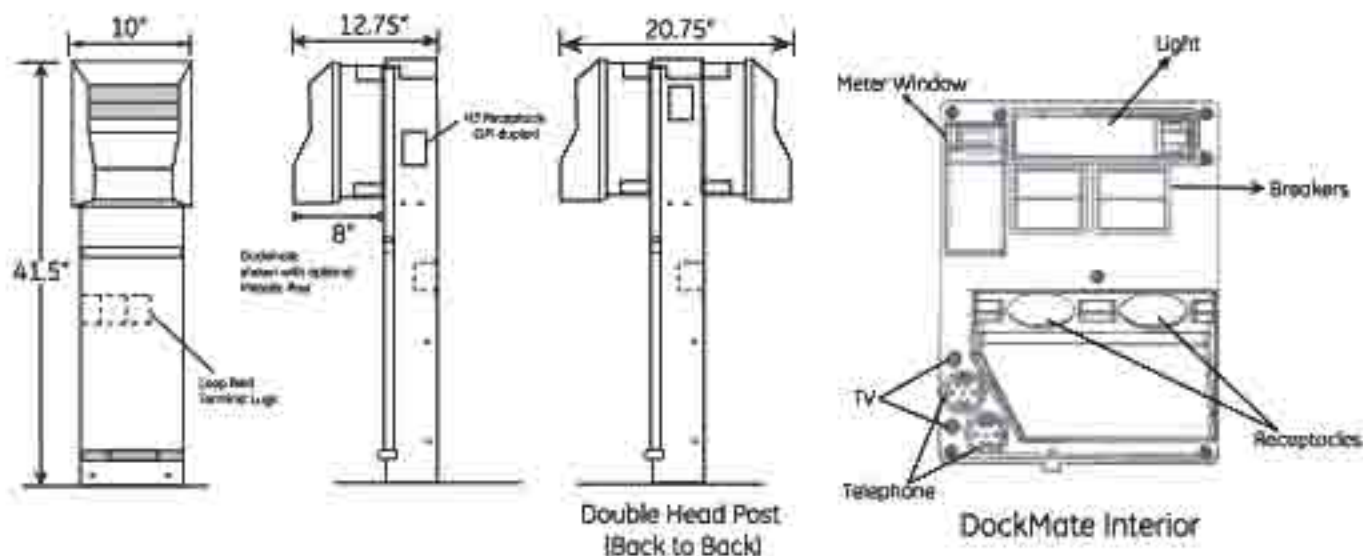
\*\*3rd receptacle available as GFCI duplex on post of Dockmate unit



## Features and Benefits of DockMate

- UL listed & CUL  certified, ensures a safe and reliable unit.
- Dockmate is Service Entrance Rated.
- Injection molded VALOX™ thermoplastic resin creates a housing that's lightweight, impact & corrosion resistant and offers UV protection.
- Factory-wired power receptacles available in 20, 30 and 50 amp locking-type configurations, protected by thermal magnetic circuit breakers, which ensure dependable operation.
- Cord slot cover closes over plugs and cords, offering protection from the weather.
- Padlock provision.
- Utilizing a traditional load center makes it easier to wire (low installation cost) and provides for a stronger circuit breaker connection.
- Terminal lugs accept up to 350mcm CU/AL wire. Mechanical lugs utilized with copper bus bottom feed loop-feed lugs which reduce electrician-wiring time and lower installation cost.
- Electronic meter, mounted internally, offers a higher degree of dependability and accuracy.
- Angled meter counter mounted on front cover reduces labor costs associated with meter reading and recording.
- Fluorescent light (7W or 9W) illuminates for easy nighttime plugging, while providing aesthetic accent and security lighting for the dock area.
- 9" post versions are available in Type G90-16 gauge galvanized steel or Type 304L-16 gauge stainless steel.
- Units rated 100 Amp. Loop-feed post terminal rated 200 Amp.

For Model Number information/option see Generator page - page 15



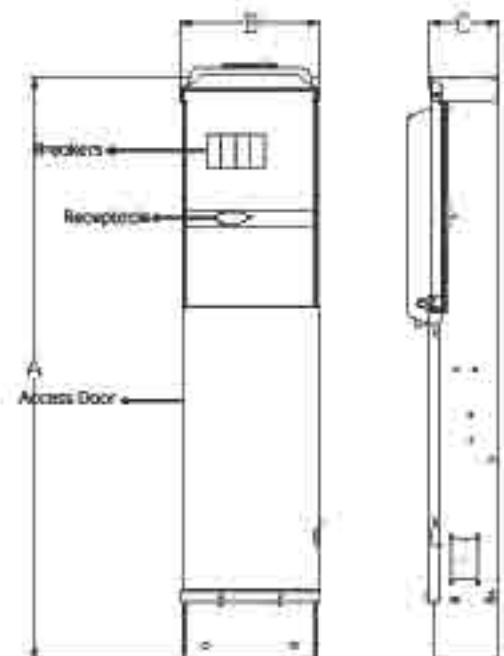
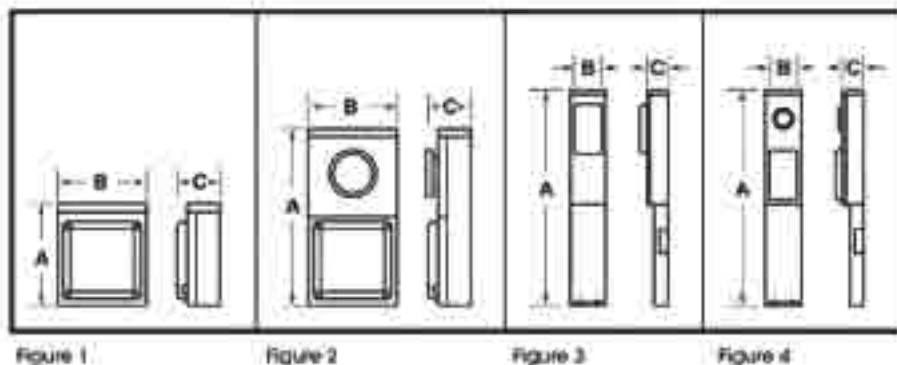


# DockHand

- Blue Powder-Coat Paint Finish ( non-standard white may be available)
- Available in a 6" or 9" wide post or surface mount (some unit require 9" width based on receptacle)
- Rolled edge door for cord protection
- Corrosion resistant grounding & locking type receptacles for dependable service
- The 6" post is rated 70A max per side (head) with post lugs accepting up to 300 mcm cable
- The 9" post is rated 100A max per (head) with post lugs accepting up to 300 mcm cable on single head and 350 mcm on back to back
- NEMA 3R construction for lasting service in outdoor installations
- Wide range of receptacle configurations
- Factory wired to loop-feed lugs located in the post
- Ring Type, 4-Jaw Meter Socket Available



No special options available



## Available DockHand Configuration

Dimensions	Figure	Height-A	Width-B	Depth-C
6' surface	1	14-3/8"	7-1/4"	5-3/16"
9' unmetered surface	1	17-3/8"	9-3/4"	5-3/16"
9' metered surface	2	30"	9-3/4"	5-3/16"
6' pedestal	3	36"	7-1/4"	5-3/16"
9' unmetered pedestal	3	41-1/8"	9-3/4"	5-3/16"
9' metered pedestal	4	53-1/2"	9-3/4"	5-3/16"

6' Dockhand Models				
Receptacle Configurations		Unmetered	Pedestal Unmetered Single Unit	Pedestal Unmetered Back-to-Back
30	30	UGBZ26SB	UGBZ26PB	UGBZ2BZ26PB
20	20	UGAAZ6SB	UGAAZ6PB	UGAAZAAZ6PB
30	20	---	---	---
30	30	UGBBZ6SB	UGBBZ6PB	UGBBZBBZ6PB
50	30	---	---	---
30	20GF	---	UGBFZ6PB	---

9' Dockhand Models						
Receptacle Configurations	Surface Unmetered	Surface Ringtype Metered	Pedestal Unmetered Single Unit	Pedestal Unmetered Back-to-Back	Pedestal Metered Single Unit	Pedestal Metered Back-to-Back
30	---	MGBZ29SB	---	---	MGBZ29PB	MGBZ2BZ29PB
30	20	MGBAZ9SB	---	---	---	---
30	30	UGBBZ9SB	UGBBZ9PB	---	MGBBZ9PB	MGBBZBBZ9PB
50	30	UGDBZ9SB	UGDBZ9PB	UGDBZDBZ9PB	---	---
50	50	UGDDZ9SB	UGDDZ9PB	---	MGDDZ9PB	---

## Marina Substation

Midwest Electric's marina substations provide a safe, economical way to deliver power to Power Centers and Power Pedestals.

The substations consist of a core and coil dry-type transformer and a distribution panel board in a common enclosure.

- Distribution Panel Board
- NEMA 3R, Marine grade enclosures
- Transformer range of 15kva and up
- Enclosures made of galvanized steel, aluminum or stainless steel
- Contact Midwest rep for additional information





## Marina Accessories

Harbor Light (Model: DLITE071- 7 watt Fluorescent)  
Marina Docksider Light Fixture

### Harborlight Features

- UL Listed<sup>(A)</sup>
- Corrosion resistant VALOX™ housing, all stainless exterior hardware
- PL7 energy saving fluorescent lamps are included
- Separable non-metallic base for fast secure installation
- Prismatic lens made from tough, durable LEXAN®



### Ordering Information

- Harborlight is suitable for 120V AC service
- Light circuit should be provided by a circuit breaker or fuse (not included)

## VMMASTER

RETROFIT METER KITS FOR THE DOCKMASTER POWER CENTER

### Meter Features:

- Meter module provides state of the art electronic digital metering
- Available in 120, 208, and 240 V
- Factory assembled units are completely wired and ready for installation

FIELD INSTALLED WATER SHROUD (Models: UH90SW - Stainless Steel Shroud)  
UH90GBW - Galvanized Shroud

- Water shrouds are made of stainless or galvanized steel, painted white or blue for Galvanized Dockhand 9"
- Mounts on backside of pedestal
- Does not include faucets, piping or fittings
- For Metal Pedestal Units only



## Field Installed Options for Marina products

* UH90SW	Stainless Water Shroud (9" width only)
* UH90GB/W	Galvanized Water Shroud (9" width only, white or blue paint finish)
UWATER34	3/4" Hose Bib (Max 2/Shroud)
UBFP	Backflow Preventor
UHH	One Pair Cord & Hose Storage Rack
VHH-DockPro	One Pair Cord & Hose Storage Rack

\* Not required for DockMaster and DockPro

---

## Marina Product Warranty

Midwest Electric Products, Inc.

The company warrants, to the Purchaser, that the equipment to be delivered hereunder will be free from defects in material or workmanship and will be of the kind and quality designated or specified in the contract.

This warranty shall apply only to defects appearing within one year from the date of shipment from the factory.

If the equipment delivered hereunder does not meet the above warranty, and if the Purchaser promptly notifies the company, the company shall correct any defect or nonconformance with the specifications. Midwest would supply necessary repairs or parts to connect.

The liability of the Company under this warranty (except as to title) for any loss or damage to the equipment, whether the claim is based on contract or negligence, shall not exceed the cost of correcting defects.

Upon the expiration of the warranty period, all such liability shall terminate. The foregoing shall constitute the exclusive remedy of the Purchaser and the exclusive liability of the Company.

The foregoing warranty is exclusive and in lieu of all other warranties, whether written, oral, implied, or statutory (except as to title). NO WARRANTY OF MERCHANTABILITY OR FITNESS FOR PURPOSE SHALL APPLY. The Company does not warranty any equipment of other manufacture designated by Purchaser.





# Catalog Number Generator

Generator is to be used for creating catalog numbers for our marina product line. Contact your local Midwest Rep or Midwest Customer Service representative for further assistance in creating a model number.

Step 1: Choose Unit Type  
Dockmate

VA

Step 2: Choose desired receptacles for Head 1  
L6-50R 50amp, L5-30R 30 amp & GFCI straight blade duplex. (duplex under flip cover on post)

DBH (Limit 2 receptacle under main door. Can manufacture with additional straight blade duplex under flip cover on post)

Step 3: Choose desired option for Head 1  
1-TV/Telephone, 7 watt light, photo cell, metered

CS

Color Code

W (white)

Model Number: VADBHCSW

Repeat Steps 2 & 3 for any back-to-back models to arrive at model number.

## Step 1: Choose one code (2 character)

Code	Unit Type-Base Only
VA	Dockmate Power Center (Head Only)
VD	Dockmate, single-side, w/stainless steel pad mount post
VE	Dockmate, single-side, w/galvanized steel pad mount post
VF	Dockmate, back to back, w/stainless steel pad mount post
VG	Dockmate, back to back, w/galvanized steel pad mount post
VN	Dockmaster single-sided pedestal
VJ	Dockmaster back-to-back pedestal
VX	Dockpro single-sided pedestal
VY	Dockpro back-to-back pedestal

## Step 2: Choose 3 codes (3 characters)

Code	Most Common Receptacle/Circuit Breaker Combinations Partial Listing for Marina Products
F	L5-20R 20 amp 125 Locking Type w/GFCI Breaker
B	L5-30R 30 amp 125 V Locking Type
P	L5-30R 30 amp 125 V Locking Type
D	L6-50R 50 amp 125/250 V Locking Type
E	L5-50R 50 amp 125 V Locking Type
I	S-20R1 20 amp 125 V
W	100 amp @C 309 Pin/sleeve type, 125/250 V
H	GFCI duplex 20 amp 125v Straight Blade under flip cover on Post
Z	Not Used-Blank

## Step 3: Choose one code (2 character)

Option Code	Options
AA	No Options
AU	7W Light and Photocell
AW	7W Light, Photocell and Metered
CQ	1 TV/Telephone, 7W light and Photocell
AC	Metered
AS	7W Light and Metered
CM	1 TV/Telephone, and 7W light
CS	1 TV/Telephone, 7W light, Metered and Photocell
CO	1 TV/Telephone, 7W light and Metered
IBW	1 TV/Telephone
EK	2 TV/Telephone, Metered

## Accessories: Field Installable Kit

\*May be factory installed using appropriate option code

Model	Description
VLIGHT	7 Watt Fluorescent Light
VLOOP	1/0 Loop Lug Kit
VAMBER	Amber Lens Cover
VXAMBER	Amber Lens for DockPro only
VAPE	Photoelectric Sensor
VATELTV	Tele/TV Connection Kit
ULUG3	6th position lug for 3-phase loop Feed # 6-350 KCMIL
UH90SW	Stainless Water Shroud
UH90GW	Galvanized Water Shroud
UHH	One pair cord & hose storage rack
UBFP	Backflow preventer
UWATER34	3/4" Hose Bib
VMASTER1S	125V Electric Meter Kit-Single
VMASTER2S	125V Electric Meter Kit-Dual
VMASTER1D	125/250V Electric Meter Kit-Single
VMASTER2D	125/250V Electric Meter Kit-Dual



# Manufacturer's Sales Representatives Offices



**1 Midwest Electric Products, Inc.**  
Mankato, MN 56001  
Phone: (507) 345-2505  
Fax: (507) 345-2530  
Canada, Hawaii, and Puerto Rico  
[www.midwestelectric.com](http://www.midwestelectric.com)

**f Lesco, Inc.**  
Milwaukee, WI 53202  
Phone: (414) 393-1428  
Fax: (414) 438-0742  
[www.lesco-inc.com](http://www.lesco-inc.com)

**7 Bishop & Brogdon**  
Atlanta, GA 30336  
Phone: (404) 494-4333  
800-241-2963  
Fax: (404) 366-3696

**8 Bixler Marketing Group**  
Council Bluffs, IA 51502-0497  
Phone: (712) 328-1841  
888-924-9537  
Fax: (712) 328-7449  
[www.bixlermarketing.com](http://www.bixlermarketing.com)

**11 Arthur Boyle Company, Inc.**  
Indianapolis, IN 46220  
Phone: (317) 577-9100  
800-776-9101  
Fax: (317) 577-9161

**12 Gurnersell Cashdan, Inc.**  
Farmingdale, NY 11735  
Phone: (631) 752-9440  
Fax: (631) 752-9435  
[www.gurncash.com](http://www.gurncash.com)

**22 G.N. Deperra Company**  
Detroit, MI 48211  
Phone: (313) 875-4010-11-12  
800-875-9120  
Fax: (313) 872-5544

**23 Electronep**  
Sausalito, CA 94965  
Phone: (415) 332-4100  
Fax: (415) 332-4150  
[www.electronep.com](http://www.electronep.com)

**25 Electro Sales of North Texas, Inc.**  
Irving, TX 75061  
Phone: (972) 554-8200  
Fax: (972) 554-7861  
[www.electrosales.net](http://www.electrosales.net)

**29 E-Tel**  
Houston, TX 77028  
Phone: (713) 678-4460  
Fax: (713) 678-4371  
[www.etelinc.com](http://www.etelinc.com)

**35 SEGI**  
Tempe, AZ 85282  
Phone: (480) 317-0868  
866-969-7344  
Fax: (480) 317-0875  
[www.segsalespros.com](http://www.segsalespros.com)

**36 SEI**  
Billings, MT 59101  
Phone: (406) 248-9224  
Fax: (406) 245-6953

**37 Electro-Lines, Inc.**  
Syracuse, NY 13208  
Phone: (315) 455-5701  
800-952-5760  
Fax: (315) 455-7114  
[www.electrolines.com](http://www.electrolines.com)

**39 Farmer Electrical Sales, Inc.**  
Greensboro, NC 27415  
Phone: (336) 375-1122  
800-849-0244  
Fax: (336) 375-0177  
[www.farmerelectrical.com](http://www.farmerelectrical.com)

**41 L.W. French, Inc.**  
Glen Allen, VA 23060  
Phone: (804) 270-3205  
Fax: (804) 270-0885  
[www.lwfrench.com](http://www.lwfrench.com)

**45 Gemco Sales, Inc.**  
Pittsburgh, PA 15201  
Phone: (412) 562-9300  
Fax: (412) 562-9028

**46 J.R. Boyer Electrical Sale of OH**  
Hudson, OH 44236  
Phone: (330) 656-4128  
800-362-6613  
Fax: (330) 650-2586  
[www.boyerese.com](http://www.boyerese.com)

**Gronnati, OH 45227**  
Phone: (513) 561-0500  
800-582-0500  
Fax: (513) 561-1811

**50 Schoeffler Sales, Inc.**  
St. Louis, MO 63045  
Phone: (314) 291-9500  
Fax: (314) 291-9595  
[www.schoefflersales.com](http://www.schoefflersales.com)

**51 West Coast Sales**  
Auburn, WA 98001  
Phone: (253) 833-6434  
800-275-6649  
Fax: (253) 833-6603

**53 Curtis H. Stout, Inc.**  
Little Rock, AR 72203  
Phone: (501) 374-6694  
Fax: (501) 374-1399  
[www.curtisstoutinc.com](http://www.curtisstoutinc.com)

**55 Electrical Products of Oklahoma**  
Oklahoma City, OK 73116  
Phone: (405) 842-8171  
Fax: (405) 845-1636  
  
Tulsa, OK 74112  
Phone: (918) 663-1921  
Fax: (918) 663-0015

**56 John Moore & Associates, Inc.**  
La Vergne, TN 37086  
Phone: (615) 287-0500  
Fax: (615) 287-0662  
[www.jmoore.com](http://www.jmoore.com)

**Memphis, TN 38114**  
Phone: (901) 948-0193  
Fax: (901) 948-0194

**57 Summit Sales & Marketing, Inc.**  
Louisville, KY 40203  
Phone: (888) 279-2780  
Fax: (502) 836-2575  
[www.summitsales-mkt.com](http://www.summitsales-mkt.com)

**58 Syn-Tech, Inc.**  
Metairie, LA 70002  
Phone: (504) 835-7825  
800-535-7619  
Fax: (504) 835-7853  
[www.syn-tech-inc.com](http://www.syn-tech-inc.com)

**59 MWE, Inc.**  
N. Kansas City, MO 64116  
Phone: (800) 678-1075  
Fax: (888) 842-8047  
[www.mweinc.com](http://www.mweinc.com)

**61 Single Source Sales**  
Elk Grove Village, IL 60007  
Phone: (847) 439-5030  
Fax: (847) 366-4107

**62 O.T. Hall & Son, Inc.**  
Millsville, MD 21108  
Phone: (410) 987-5990  
888-621-7435  
Fax: (410) 987-9691  
[www.othall.com](http://www.othall.com)

**65 Darmac Agencies, Ltd.**  
Burnaby, B.C., Canada  
Phone: (604) 520-7121  
Fax: (604) 524-2162  
[www.darmac.co](http://www.darmac.co)

**66 Lesco, Inc.**  
Minneapolis, MN 55427  
Phone: (763) 542-8242  
Fax: (763) 542-9309  
[www.lesco-inc.com](http://www.lesco-inc.com)

**72 Metro Associates, Inc.**  
Deerfield Beach, FL 33442  
Phone: (954) 428-4444  
800-201-3465  
Fax: (954) 428-4459  
[www.metro-assoc.com](http://www.metro-assoc.com)

**75 Theovins, Inc.**  
Lachine, Quebec, Canada  
Phone: (514) 637-0050  
Fax: (514) 637-4630  
[www.theovins.com](http://www.theovins.com)

**77 David Role & Co.**  
Woburn, MA 01801  
Phone: (781) 932-8810  
800-878-0852  
Fax: (781) 932-8815

**83 J.R. Schmidt & Associates**  
Denver, CO 80223  
Phone: (866) 592-1313  
Fax: (303) 778-7613  
[www.j-schmidt.com](http://www.j-schmidt.com)

**85 Pollart Electrical Sales Company, Inc.**  
Bensalem, PA 19020  
Phone: (800) 372-8000  
Fax: (215) 245-0773  
[www.pollart-electrical.com](http://www.pollart-electrical.com)