



Marine Products



350cc

"Saltwater Tough"
www.toddusa.com

SEATING

ABOUT US

Todd products are **SALTWATER TOUGH!** All our seats and hardware meet the highest standards of the American Boat and Yacht Council (ABYC), so when you install a Todd seat, you will never worry about quality, durability or reliability. Every product in our line-up is designed to withstand the harsh saltwater environment and the demands of marine use. Each seat we mold uses SURPASS® Performance resins by NOVA® Chemicals, the strongest material ever used in the industry. Todd Marine Products has been servicing the marine industry for generations, providing the most innovative products at reasonable costs. Constant improvements in our products; service and shipping have kept Todd the number one source for boatbuilders and boat owners around the world. We're committed to delivering the best products efficiently and backing them with the best customer service in the business. **Todd** Products operates manufacturing facilities in Rhode Island, Tennessee and Florida.



40-1045

Miami Helm Seat

Designed for the sophisticated boater, this chair features a flip up bolster allowing it to act as either a supremely comfortable seat or as a leaning post. The dimensions allow for installation on center consoles and walk around cuddies 20' and up. The high gloss finish is impervious to the saltwater environment. Heavy duty marine grade tufted upholstery is double-stitched for years of reliable service.

Upholstered Seat : 40-1045

Dimensions	D*	D**	W	H	
ID:	22"	18"	18"	23"	* Flip Down Dimension
OD:	22"	N/A	22 ^{1/2} "	26"	** Flip Up Dimension



Miami Double Wide Helm Seats

Upholstered Seat : 40-1045DW

Dimensions	D*	D**	W	H	
ID:	22"	18"	18 ^{7/8} "	23"	* Flip Down Dimension
OD:	22"	18"	45"	26"	** Flip Up Dimension



40-1045DW



SEATING

Hatteras Ladderback Seat

Our uniquely designed, one-piece molded ladderback is "patent pending." Here is a modern look you won't find anywhere else. Ultra-low maintenance, extra heavy duty components - ideal for saltwater use. Count on this seat for years of trouble-free service.

**Seat & Cushions: 40-1050C - Seat Slider Package: 40-1050PK
Cushion Set : 40-1050RC**

Dimensions	D	W	H
ID:	16"	17 ^{1/2} "	16 ^{3/4} "
OD:	22 ^{1/2} "	23 ^{1/2} "	20 ^{3/4} "

Seat Slider ABYC Packages include: A seat, removable cushion set, manual swivel / slider and a 15" (38 cm) anodized aluminum pedestal.
All seats and cushion sets are white.



Cape May Mahogany Back

Timeless ladderback helm chair with rich mahogany slats and integrated molded arm rests. Elegant and functional, this seat adds a touch of class wherever it is installed.

**Seat & Cushions : 89-2032C / 89-2032W (White Starboard Slats)
Seat Slider Package: 7200-01 (Mahogany) - Cushion Set : 3200**

Dimensions	D	W	H
ID:	17 ^{1/2} "	18"	17 ^{1/2} "
OD:	18 ^{1/2} "	25"	21 ^{1/2} "



Cabo Supreme Helm Seat

The Cabo Supreme is offered with a rich mahogany slatted back or a maintenance free white plastic slatted back (Use Todd 6002A slider)

**Seat & Cushions : 90-2199 (Mahogany) / 97-2199W (White Slats)
Cushion Set : 3700 / Backrest: 3701**

Dimensions	D	W	H
ID no cush:	17"	19"	20 ^{1/2} "
OD:	21"	27"	23 ^{1/4} "
ID w/all cush:	15"	17"	18"



Available in Mahogany Slats

Gloucester Captain's Seat

A true classic. Tufted removable cushions of the highest quality in its class accentuate this seat. The back is made from starboard and supported by heavy anodized aluminum brackets.

**Seat & Cushions : 94-1500D / 94-1500DBL (Double Wide)
Seat Slider Package: 1500-01D / Cushion Set: 3800**

Dimensions	D	W	H
OD:	21 ^{3/4} "	24 ^{1/8} "	20 ^{3/4} "
ID:	16 ^{5/8} "	18"	16 ^{3/4} "

Dimensions	D	W	H
OD:	16"	32"	20 ^{1/4} "
ID:	16"	32"	19"

(94-1500DBL Dimensions)



All **todd** Seats & Hardware
ABYC
Compliant

www.toddusa.com



SEATING



LB-2002A



LB-2002W

Re-designed
Better looking
Then ever !



10-0104C

EXTRA
ROOMY



10-0102C

Montauk Helm and Companion Seat

Comfortable and attractive with solid back slats and rich white powder-coated aluminum, they are a natural on your flybridge. Classic styling and saltwater tough construction meet here to create one of our favorite helm seating options. Curved arms make this one very roomy. This seat is one of the few that looks and feels just as much at home on an updated old Mako center console as on a restored classic 31' Bertram!

Helm Seat With Arm Rest

Seat & Cushions : LB-2002A / Seat Slider Package: LB-2003A

Companion Seat (No Arm Rest)

Seat & Cushions : LB-2002W / Seat Slider Package: LB-2003W

Dimensions	D	W	H
ID:	16 ^{1/2} "	18 ^{1/2} "	16 ^{1/2} "
OD:	22 ^{1/2} "	25 ^{1/2} " & (18 ^{1/2} " w/o arm rest)	22 ^{1/2} "

Portsmouth Helm Seat

Good looking and spacious, this seat is ergonomically designed to make any helmsman comfortable on those long runs. Big men LOVE this seat. It is tough, dependable and commodious.

Seat & Cushions : 10-0104C - Seat Slider Package: 0104-SP
Cushion Set : 40-1035

Dimensions	D	W	H
ID:	20"	20"	26"
OD:	21"	28"	28"

Key West Helm Seat

Is space a problem? Check out this ergonomically designed helm chair. It fits where many others don't, yet still provides full size arm rests, important for comfort during a long day on the water.

Seat & Cushions : 10-0102C- Seat Slider Package: 0102-SP
Cushion Set : 40-1025

Dimensions	D	W	H
ID:	17 ^{1/2} "	18 ^{3/4} "	16 ^{1/2} "
OD:	17 ^{1/2} "	22 ^{3/4} "	18 ^{1/2} "

Visit TODDUSA.COM
To order replacement parts

Cape Cod Seat

America's # 1 Saltwater Seat. A favorite among discriminating boaters for years, this classic seat affords good looks and extreme comfort. Redesigned cushion updates this classic beauty.

**Seat & Cushions : 85-1556C - Seat Slider Package: 7050-15
Cushion Set : 3150**

Dimensions	D	W	H
ID:	17 ^{1/2"}	18"	17 ^{1/2"}
OD:	18 ^{1/2"}	25"	21 ^{1/2"}

85-1556C



Freeport Seat

The World's Best Selling Saltwater Boat Seat. A great looking chair that features lasting quality, it is designed for economy-minded boaters. Fishing or cruising, this seat is a solid pick.

**Seat & Cushions : 971537-LC - Seat Slider Package: 7800
Seat Spider Package: 7800-15
Cushion Set : 3301**

Dimensions	D	W	H
ID:	14"	16"	15 ^{1/2"}
OD:	17"	20 ^{1/2"}	18 ^{1/2"}

971537-LC



Chesapeake Seat

Impervious to harsh saltwater use, the Chesapeake promises many seasons of uncompromising service. Ample and attractive, this chair is everything a serious boater looks for.

**Seat & Cushions : 85-1538C - Seat Slider Package: 7550
Cushion Set : 3550**

Dimensions	D	W	H
ID:	17"	17 ^{1/2"}	16"
OD:	17 ^{3/4"}	21 ^{3/4"}	18 ^{1/2"}

85-1538C



Visit **TODDUSA.COM**
To order replacement parts

All **todd** Seats & Hardware
ABYC
Compliant

www.toddusa.com



SEATING



10-0101C

Albemarle Seat

Affordable, stylish and ergonomically correct, this seat is the perfect solution for many boats.

Seat & Cushions : 10-0101C - Seat Slider Package: 01010-SP
Cushion set : 40-1025

Dimensions	D	W	H
ID:	17 ^{1/2} "	18"	16 ^{1/2} "
OD:	17 ^{1/2} "	22 ^{3/4} "	18 ^{1/2} "



10-0100C

Avalon Seat

Sometimes side entrance to a seat is demanded by a boat's particular layout. Here is the answer. The chair back is designed for strength and to hold boaters firmly in place. Cushions are removable for storage.

Seat & Cushions : 10-0100C - Seat Slider Package: 0100-SP
Cushion set : 40-1025

Dimensions	D	W	H
ID:	17"	17 ^{1/2} "	16 ^{1/2} "
OD:	17"	18 ^{1/2} "	18"



10-0106C

Point Loma Seat

Here is another choice for the boater that needs side entrance access to their seat. Molded-in double handgrips, top quality removable cushions.

Seat & Cushions : 10-0106C - Seat Slider Package: 100108FP
Cushion set : 106-CS

Dimensions	D	W	H
ID:	17"	16 ^{1/2} "	14"
OD:	21 ^{3/4} "	18 ^{1/4} "	19"

Jupiter Seat

An excellent choice to upgrade existing seats in many cases. The marine-grade vinyl covered foam cushions are thick, comfortable and removable.

**Seat & Cushions : 95-4500C - Seat Slider Package: 7450
Cushion Set : 3450**

Dimensions	D	W	H
ID:	16 ^{1/4"}	16 ^{1/2"}	17 ^{1/2"}
OD:	20"	20 ^{1/4"}	17"



95-4500C

Santa Monica Seat

Excellent support and comfort-classic **Todd** Specifically designed for all boats where space is limited, this seat features a compact shape, and molded in handle grip.

"Saltwater Tough" construction.

**Seat & Cushions : 85-1537C - Seat Slider Package: 7300
Cushion Set : 3300**

Dimensions	D	W	H
ID:	17 ^{1/2"}	16 ^{1/2"}	14"
OD:	17"	20 ^{1/2"}	18 ^{1/2"}



85-1537C

Nantucket Seat

A reliable design for generations, the Nantucket seat provides comfort and style. A favorite among boat manufacturers.

**Seat & Cushions : 40-1021C - Seat Slider Package: 7650-15
Cushion Set : 40-1021CS**

Dimensions	D	W	H
ID:	16 ^{3/4"}	14 ^{1/2"}	15"
OD:	19"	18 ^{1/2"}	17"



40-1021C

Long Beach Seat

Economy seat suited for tight installations where space is at a premium. Great looks, rugged durability.

**Seat & Cushions : 85-1536C - Seat Slider Package: 7100
Cushion set : 3010**

Dimensions	D	W	H
ID:	16 ^{1/2"}	16"	14 ^{3/4"}
OD:	19 ^{3/4"}	18 ^{3/4"}	18 ^{1/2"}



85-1536C

All **todd** Seats & Hardware
ABYC
Compliant

COMMERCIAL SERIES SEATING & UNIVERSAL LEANING POST



10-0104GYBC



40-1050COM



85-1556GYBC



QUICK & EASY REPLACEMENT FOR OLD WORN OUT PEDESTAL SEATS



A great upgrade for vintage boats

Adjustable
21" - 28 1/2"

2200-50SA



Before



After

Universal Leaning Post (Pedestal Seat Replacement System)

This new system allows for easy conversion of old chairs to a new leaning post, without removal of existing pedestals.

- ┆ 3 1/2" Magnum Pedestals ┆ Posts adjust from Port to Starboard.
- ┆ Leave your old 2 7/8" Pedestals in place.
- ┆ New posts adapt from 21" on center to 28.5" on center, based on your existing pedestals.

Model # : 2200-50SA

Dimensions	D	W	H
OD	15 3/4"	37 1/2"	11"

Visit:

WWW.TODDUSA.COM

For video of installation

MEMBER OF **NMMA**

UPHOLSTERED SEATING

5 Star Seat

Todd's premier seat is luxurious and ample. Extra thick upholstery, swing away arms, individual lumbar support cushions and an integrated headrest prove this seat was designed with the most discriminating owner in mind. Modern yet classic, it is ideal for use as a helm seat. It is suggested that the Todd slider (6002A) be used with this seat. All 5 Star seats should only be used with Todd Pedestal Bases at the helm.

Full-sized reinforced bottom mounting plate.

5 Star Seat

Model # : U9705BK (black)
Model # : U9705BE (beige)
Model # : U9705WH (white)



Newport Seat Package

Front section of the seat flips up, converting to an excellent leaning post. Outstanding leg support is provided by a heavily padded vertical surface while seat arms offer great lateral support. Packages include: An adjustable slider that allows fore and aft movement, and an 18" high pedestal on a 9" base. (Use with Todd slider part# 6002AS)

All White Flip-Up Seat Only : 2001FWS

All White Flip-Up Seat Package : 2001FWW

Dimensions	D	W	H
ID:	18"	15 ^{3/4"}	19 ^{5/8"}
OD:	24 ^{3/4"}	23 ^{1/2"}	20"

Front Bolster Flips Up



Type 5 Upholstered Bucket Helm Seat

Spacious and attractive, these make a restful helm seat. Many customers have upgraded their vessels, taking advantage of the five inch thick high density foam cushions that provide unparalleled support.

Single

Model # : U85-1546

Dimensions	D	W	H
ID:	16 ^{1/2"}	17 ^{1/2"}	15"
OD:	24"	24"	20 ^{1/2"}

Double Wide

Model # : U89-2029

Dimensions	D	W	H
ID:	16"	41"	15"
OD:	24"	45 ^{1/2"}	20 ^{1/2"}



All **todd** Seats & Hardware
ABYC
 Compliant



FOR THE AVID FISHERMAN

Pro Strike Fisherman Seat



This classic ladderback seat is paired with a rugged 316 S/S quad base and Todd's chrome four-way rod gimbal to make for a truly "Saltwater Tough" and highly versatile chair! Use as a fishing chair or as comfortable cockpit seating. Todd uses only the finest materials including Nova's patented SURPASS® material. Ergonomically correct, The Pro Strike Fishing Seat can be relied upon for comfortable seating for hours at a time and the quality construction assures you years of reliable use.

Model # : PS-1000

Dimensions	D	W	H
ID:	16"	19 ^{1/2} "	16 ^{3/4} "
OD:	21 ^{3/4} "	30"	35 ^{3/4} "

The Supreme Sportfishing Seat Package



The choice of superior anglers coast to coast, this seat offers all the amenities of a luxury fighting chair. This is the ideal seat for serious recreational fishing due to outstanding functionality and substantial strength.

Package includes: Molded chairs with polyethylene slatted back √ Cushion Set √ Side-Striking Arm Hoops & Gimbals √ Front Gimbal √ Pair of Gimbal Adjustment Brackets (for short butted fishing rods) √ 15" Fixed Height Pedestal √ 360° swivel and fore and aft slider. **Suggestion: Pair with 6900 Flush Mount Pedestal base on pg.21**

Model # : 70-0105
Cushion Set - Model # : 3700

Dimensions	D	W	H
ID:	16 ^{1/2} "	18"	20 ^{1/2} "
OD:	22 ^{1/2} "	27"	24"

70-0105

Rocket Launcher



Need quick access to trolling rods without having to move gunwale to gunwale to adjust your spread? Built to last with the best materials available, the rugged Todd Rocket Launcher is your solution.

Package includes: Rocket Launcher √ 28" Pedestal √ 9" Diameter 6 Hole Base √ Cast Aluminum Gimbal √ Four E-Tec Stainless Steel Rodholders
Features: √ Starboard Top Plate √ Anodized, Bright-Dipped Hardware √ Padded Bolster √ Stainless Steel Fasteners

Model # : 20-3043

Dimensions	D	W	H
OD:	9"	34"	30"

Battle Station



THE ORIGINAL

Tournament anglers around the world agree that the Todd Battle Station is the top in its class. Perfect for dedicated small boat anglers, The Battle Station provides control and support to fight big fish while reducing fatigue and conserving angler energy. It rotates a full 360 degrees and has a locking mechanism for maximum flexibility. This is the safe, easy and efficient way to take big game standing up.

Package includes: Cushioned Rod Support for trolling √ Heavy Duty Security Belt √ 31" to 41^{1/2}" Adjustable Height √ Anodized Aluminum Pedestal √ Cast aluminum gimbal √ 9" 6 Hole Base

Model # : 20-3030

Dimensions	D	W	H
OD:	16 ^{1/2} "	31"	41"

SWING BACK COOLERS

Deluxe Swingback Coolers

These stylish, durable coolers feature stainless steel swing-arms, plush, ribbed marine grade vinyl upholstery, rounded interior corners to prevent bait from getting trapped, hinged lids with a recessed, rubberized gaskets for a tight seal (important for keeping contents cold), drain fittings and polyethylene mounting plates. The **Cooler/Livewell** version has a double-wall, foamed insulated interior. The **Dry Storage** version has a single-wall, non-insulated interior.

70 Quart

Large Deluxe Cooler/Livewell Seat : 1792-18U(Insulated)
Large Deluxe Dry Storage Seat : 1792-18NI(Non-Insulated)

Dimensions	D	W	H
OD:	17 ^{3/4"}	38"	20 ^{1/2"}

52 Quart

Small Deluxe Cooler/Livewell Seat : 1796-18A (Not shown) (Insulated)
Small Deluxe Dry Storage Seat : 179618NI (Not shown) (Non-Insulated)
Capacity / Overall Height : 35"

Dimensions	D	W	H
OD:	17 ^{3/4"}	32 ^{3/4"}	20"

**Note: Swingbacks do not meet
 ABYC specifications
 for helm or companion seating**

Angler Series
 1792-URH*
 1792-NIRH*
 1792-CRH top section only*
 *Includes 4 rod holders



Swingback Seats

Our most popular swingback style seat, features double-wall, foam insulated interior with rounded corners to prevent bait from getting trapped, stainless steel or mahogany swing-arms that fit into a recessed pocket, heavily padded white marine grade vinyl bottom and back cushions and a drain fitting. The wide flange around the bottom of the unit makes installation easy.

50 Quart Capacity
Overall Height: 32"

Swingback Seat with Mahogany Arms: 1758-18U (Insulated)

Dimensions	D	W	H
OD:	18"	35 ^{1/2"}	19"

Swingback Seat with Stainless Steel Arms: 1758-18A (Insulated)

Dimensions	D	W	H
OD:	18"	35 ^{1/2"}	19"



LEANING POSTS

Replace
Your Old
Pedestal
Seats !!



Before



2200-50SA

Patent Pending



After

Adjustable
21" - 28 1/2"



2200-50SLC

Patent Pending



2200-35

Optional Backrest



2201



1005-D

"We haven't spilled a drink in five years of tournament fishing, they are handy and affordable."

Capt. D.J. Payolla Desperado Fishing Team

TODD LEANING POSTS feature rugged UV-stabilized SURPASS® construction, tufted removable cushion, rod holders, anodized aluminum posts. Ideal for center console boats.

Universal Leaning Post (Pedestal Seat Replacement System)

This new system allows for easy replacement of old chairs with a new leaning post, without requiring the removal of existing pedestals. **Patent Pending**

↳ 3 1/2" "Magnum" Pedestals ↳ Posts adjust from Port to Starboard ↳ Leave your old 2 7/8" pedestals in place ↳ New posts adjust from 21" on center to 28.5" on center.

Model # : 2200-50SA

optional backrest #2201

Dimensions	D	W	H
OD:	15 3/4"	37 1/2"	11"

(Top only)

Universal Leaning Post Storage Locker Combo

Just like the Universal Leaning Post this unit adjusts to your existing pedestals and allows for dry storage. Includes two quick access line holder recesses. Complete with recessed port and starboard fire extinguisher mounting pockets.

Model # : 2200-50SLC

optional backrest #2201

Dimensions	D	W	H
OD:	15 3/4"	37 1/2"	11"

Adjustable Height Leaning Post

This leaning post with adjustable height pedestals, can double as a seat with the optional backrest. Adjustable pedestals allow quick, easy, and secure changes in height.

Model # : 2200-35

optional backrest #2201

Dimensions	D	W	H
OD:	15 3/4"	37 1/2"	11"

Height with Adjustable Pedestals: 16"-32"H

Cutout: 24 1/2"W, 5"H;

Distance between pedestals: 32" (81cm) on-center

Replacement Cushion

for Standard & Adj. Leaning Post: 2200-C

Leaning Post Backrest

Fits on any existing Todd Leaning Post or any Leaning Post with 24" (61cm) on-center rod holders. Same Todd **"Saltwater Tough"**

quality as on all our leaning posts a perfect match.

Model # : 2201

Cupholder for Rod Holders

Accepts cans, mugs, and "huggies". Fits in standard 30° rod holders. Available in White only. **Patent Pending.**

Double Cup Holder : Model # 1005-D

3 1/2" Diameter, 7"W; 3 1/2" Cup Height: 6 1/2"H

INFLATABLE ACCESSORIES & CONSOLES

Bench Seats

Features contoured ends that fit snugly between fully-inflated pontoons, a dry storage compartment, cutting board and a removable snap-on cushion.

Small Bench Seat: 94-3003 (For 8'-10' inflatable boats.)

Dimensions	D	W	H
OD	9 ^{1/4"}	28"	12"
Cutout	----	12 ^{1/4"}	5 ^{1/4"}

Large Bench Seat: 94-3004 (For 12'-14' inflatable boats.)

Dimensions	D	W	H
OD	14"	30 ^{5/8"}	12"
Cutout	----	12 ^{1/4"}	5 ^{1/4"}



Steering Consoles

The Todd Center Console is rotationally molded in one piece of rugged, SURPASS® material. Features a built-in forward seat over a molded-in livewell. It has uniquely designed, dash, throttle, and steering panels. An access opening facilitates attaching the unit to the boat and the installation of the steering wheel, throttle and gauges. Available as a complete package that contains a grabrail, cushioned seat, windshield and complete installation instructions or as a console shell only.

(Ships Via Truck)

Model # : 1635 Shell only

Model # : 1635PK Console Package

Model # : 1635PKRH Rod Holder Console Package

Dimensions	D	W	H
Shell only	41 ^{3/4"}	33"	39 ^{1/2"}
Console PKG	41 ^{3/4"}	33"	47"



1635PK



1635PKRH



93-3003WG

(Steering Wheel and Gauges - Not Included -)



95-3005

Helmsman Console with Windshield & Grabrail

Model # : 93-3003WG

Cutout: 12"W, 15 1/4"H

Instrument Panel: 19"W, 9"H

Helmsman Console only: 93-3003 (Not shown) Features two recessed cupholders and, a dry storage compartment.

Dimensions	D	W	H
OD:	18"	25"	32"

Steering Console

Includes grabrail. Windshield not available.

Model # : 95-3005

Cutout: 8 1/2"W, 11 1/2"H

Instrument Panel: 14"W, 3 5/8"H

Dimensions	D	W	H
OD:	16 ^{3/4"}	11 ^{1/2"}	32 ^{3/4"}

"I put it in my 14' Smokercraft. Works great, much better then getting an aluminum one. Great price and quick shipping."

gonefishing77 from Alaska.

"Good product, good price, great service and delivery."

dblair from Maple Ridge, BC Canada

BOARDING STAIRS & TODD FOLDING DOCK STEP



Patented Drop-in Mounting System
Found on more expensive stairs



**"EXCLUSIVE
NO PINCH
DESIGN"**

Boarding Stairs

These stairs "self-adjust" to tidal conditions for easy on / off boarding at all times. They are the most economical marine-grade aluminum stairs for large boats. Folds for storage in optional Storage Bag. Bottom step has four 3" casters. One handrail is included.

4 Step Boarding Stairs: TL-400

5 Step Boarding Stairs: TL-500

Dimensions	Closed Length	W	Top Steps Ht.
4 Step	44 ^{1/4"}	23"	32"
5 Step	55"	23"	40"

Additional 4 Step Handrail: TL400HR

Additional 5 Step Handrail: TL500HR

Boarding Stairs Storage Bag: TDBS-CVR (not shown) Brackets

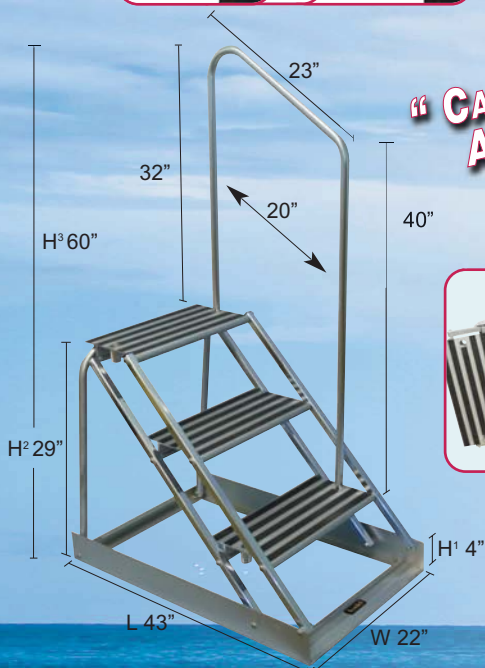
Flush Mount Plate: BL-BRKT (attaches permanently to boat)

Quick Release Brackets: QRBRKT (removable)

"PATENTED DESIGN"



The Latest from the Engineering
and Design Team at



**"CARRY THEM
ANYWHERE"**



The Todd Folding Dock Step

Ruggedly constructed utilizing the latest engineering technology and the finest materials, the Todd Folding Dock Step is the most versatile, most affordable and most sturdy portable boarding step available anywhere! Our extruded aluminum steps feature raised ribs with non-skid coverings for sure-footed access to your boat. Boat dealers love these steps for boat shows, showrooms and for easy boarding of boats displayed anywhere. Boat owners choose the Todd Folding Dock Step for its light weight, easy portability, safe design and rugged construction.

4 Step height - (opened - 34") (closed - 4")

Todd Folding Dock Step

3 Step Model: TFDS-3 (WT.) 29 Lbs.

4 Step Model: TFDS-4 (WT.) 36 Lbs.

Corresponding Handrail is included

3 Step Handrail: TFDS-3RL

4 Step Handrail: TFDS-4RL

H1 = Folded height
H2 = From bottom of base to top step
H3 = From bottom of base to top hand rail



3 Step Length Folded 43"

4 Step Length Folded 56"

"STOWS EASILY"

ELECTRONICS BOXES

Electronics Boxes

Todd's lightweight, easily mounted electronics boxes include stainless steel hardware, smoked plexiglass front panels, rubber gaskets, and chrome locks to protect valuables. A "Must Have" for every T-top.

Large Electronics Box: 88-1924

Front Panel: 29"W, 8 3/4"H

Dimensions	D	W	H
ID:	15 ^{3/4"}	31 ^{1/2"}	11"
OD:	16 ^{1/2"}	32"	11 ^{1/4"}

Small Electronics Box: 95-1925

Front Panel: 20 1/2"W, 6 1/4"H

Dimensions	D	W	H
ID:	13"	23 ^{1/4"}	9 ^{3/4"}
OD:	14"	24"	10"

88-1924



95-1925



Battery Boxes

Molded from ultra durable SURPASS® material, Todd's battery boxes maintain their tough impact properties down to -40°. Featuring seamless, heavy wall construction, superior chemical resistance (eliminating concerns of electrolyte spills or contact with grease/oil) and full flow ventilation to ensure adequate cooling to enhance the longevity of the battery. Complies with USCG code of Federal Regulation #33 Sub-chapter 183.420, when properly installed.

4D Battery Box: 90-2138

Dimensions	D	W	H
ID:	20 ^{1/2"}	9 ^{1/2"}	11 ^{1/2"}
OD:	24"	13"	13 ^{1/2"}

8D Low Battery Box: 90-2169

Dimensions	D	W	H
ID:	21 ^{1/2"}	11 ^{1/2"}	9 ^{1/2"}
OD:	25"	15"	12"

8D High Battery Box: 90-2170

Dimensions	D	W	H
ID:	21 ^{1/2"}	11 ^{1/2"}	11"
OD:	24 ^{1/2"}	15"	14 ^{1/2"}

8D High Double Battery Box: 91-2339

Dimensions	D	W	H
ID:	24 ^{1/2"}	21"	12 ^{1/2"}
OD:	28"	24 ^{1/2"}	14 ^{1/2"}

Double Battery Box: 84-1480

Dimensions	D	W	H
ID:	16 ^{1/2"}	11"	8"
OD:	17 ^{1/2"}	13"	11"

Universal Battery Box: 1010187

Dimensions	D	W	H
ID:	14 ^{1/2"}	7 ^{3/4"}	10 ^{3/16"}
OD:	17 ^{1/4"}	10 ^{1/2"}	12"

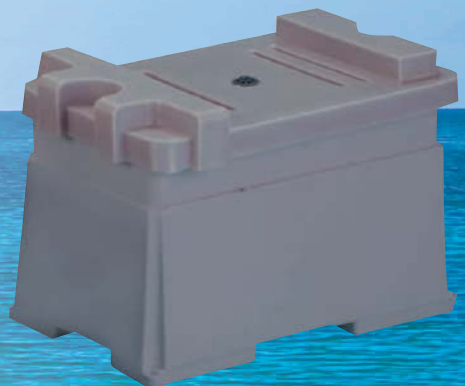
Grp. 27/31 Battery Box: 01-1622

For use with group 27/31 Batteries

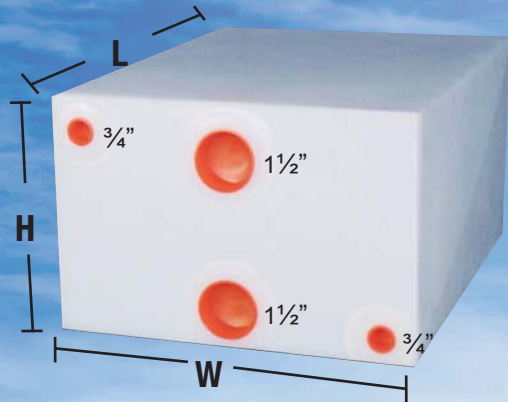
Dimensions	D	W	H
ID:	16"	7 ^{1/2"}	10"
OD:	17 ^{1/2"}	11"	11"

4D Battery Box: 1012000

Dimensions	D	W	H
ID:	20 ^{1/4"}	9"	12"
OD:	23 ^{5/8"}	12 ^{1/2"}	13 ^{3/4"}



TANKS - WATER, HOLDING



Water & Holding Tanks

Water & Holding Tanks

Todd's one piece molded Water/Holding Tanks are tough and durable. Each tank fully complies with FDA regulation CFR 177.1520. Each tank satisfies all United States Coast Guard standards. SURPASS® material tanks will not emit waste odors or change the taste of fresh potable water. All openings are female NPT (National Pipe Threads) and are located in the same relative position on one end of the tank.

Supplied 2 - 1 1/2 & 2 - 3/4 Plugs make Water Tank or Holding Tanks. Complete instructions included

Gallons	L	W	H	Holding Tank Product No.
3	14"	11"	6 1/2"	85-1859WH
6	16"	12"	8"	85-1531WH
9	17"	14"	10"	85-1667WH
13	24"	10"	14"	85-1626WH
15	25"	11"	15"	94-1627WH
20	30"	16"	10"	85-1666WH
25	37"	17 1/2"	10"	85-1532WH
35	36"	15 1/2"	16"	85-1525WH
55	54 1/2"	13"	20"	85-1533WH

Larger & Custom OEM sizes available.

Visit : www.toddusa.com

Water & Holding Tank Accessories

Fitting Relocation Kits enable a boater to plug up existing threaded fitting openings and to custom position the new fitting openings anywhere on the tank. Instructions included.

- 1) **Water Tank Relocation Kit: 90-2218**
- 2) **Holding Tank Relocation Kit: 90-2219**

Pipe-to-Hose Kits

Include all fittings needed to attach hoses to a water or holding tank. The opposite end of the fitting accepts the hose. All kits include Teflon Tape for easy installation and tight fit.

Water Tank Kits feature: (2)1/2" hose barbs, (1)1 1/2" hose barb
Holding Tank Kits feature: (1)1/2" hose barb, (2)1 1/2" hose barbs

- 3) **Water Tank Straight Pipe-to-Hose Adapter Kit: 93-2222**
- 4) **Water Tank 90 Degree Pipe-to-Hose Adapter Kit: 93-2223**
- 5) **Holding Tank Straight Pipe-to-Hose Adapter Kit: 93-2220**
- 6) **Holding Tank 90 Degree Pipe-to-Hose Adapter Kit: 93-2221**



Boarding Steps

Todd's lightweight, durable Boarding Steps make access to your boat safe and convenient. A huge improvement over heavy and fragile fiberglass steps. You've seen them at every boat show because they are safe and reliable.

Single Step: 91-2333

Dimensions	D	W	H
	19 ¹ / ₄ "	15 ¹ / ₂ "	11 ¹⁵ / ₁₆ "



91-2333

Double Step: 91-2334

Dimensions	D	W	H
	21 ³ / ₄ "	20 ¹ / ₄ "	17 ¹ / ₄ "



91-2334

THE STRONGEST AND SAFEST STEPS.

Triple Step: 91-2335

Dimensions	D	W	H
	31 ³ / ₄ "	20 ¹ / ₄ "	26"



91-2335

THE PROFESSIONAL'S CHOICE

Quad Step: 93-2336

Dimensions	D	W	H
	36"	20"	32"



93-2336

Double Step Handrail
91-2348
Triple Step Handrail
91-2349
Quad Step Handrail
93-2352

Strong and durable. . . This is a good unit that is virtually indestructible. It is sturdy enough to support even the largest of sailors.. **Buster, West Marine Customer**

The steps are very sturdy and with the optional railing, very easy for elderly persons to use. **Bob, West Marine Customer**

GAS, DIESEL, WASTE CADDYS & GAS KART



"BEWARE OF IMITATORS"



P93-2400

Gas and Diesel Caddys

The Gas and Diesel Caddys meet U.N. and D.O.T. specifications when used according to Todd's instructions for transporting fuel. The Gas Caddy is red and the Diesel Caddy is yellow. All Caddys bear the UN Marking, "UN3H1W". U.S. Patent #5667113

Gas and Diesel Caddys hold 28 Gallons of fuel and meet D.O.T. requirements. Features include 10 Feet (305cm) of U.L. approved hose with static wire, molded hose brackets, U.L. approved, spring loaded nozzle, 3/4" U.L. approved ball valve, aluminum non sparking axle, pneumatic tires with nylon bearings, nylon wheel hubs, vented cap and a molded-in baffle for strength & durability. Optional pump kit is available to transfer fuel easily above the height of the caddy.

GAS - Part # : P93-2400

DIESEL - Part # : P93-2401

Dimensions	D	W	H
	22 1/2"	27 1/2"	41"

DIESEL



P93-2401

"IMPORTANT"
ALL TODD CADDYS MEET
D.O.T. & U.N. STANDARDS

PURCHASE A TODD CADDY
WITH CONFIDENCE



Optional Pump

Industrial Pump : 2400-03

PUMPS SPECS
Flow Capability. 10.3 Ounces per Revolution.
Operating Temp. (150 °F) to (-15 °F)

Visit **TODDUSA.COM**
 for more information on
 our caddys and to order
 replacement parts

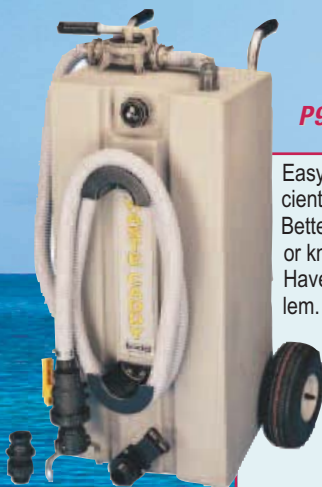
Waste Caddy

A portable waste removal system that holds 28 gallons of waste and can be rolled to a dump station. Features pneumatic non-sparking tires, vented cap, 10 Feet (305cm) of large diameter intake hose, 3" slide valve for evacuation, molded-in baffle for strength, molded hose holders and a hand operated manual pump. Intake hose fitting has proper threads to attach to standard deck fittings (1 1/2" or 1 1/4") and a quick disconnect fitting with a shut-off valve to control flow and eliminate spillage.

Part # : P93-2402

Dimensions	D	W	H
	22 1/2"	27 1/2"	41"

Evacuation Kit: 93-2402P
 Allows evacuation to a container
 higher than the Caddy.



P93-2402

Easy and simple to use, fast and efficient. Easy to clean out after use. Better to be on level ground when full or know how to tack when going uphill. Have used it 5yrs. now without a problem. For me it has been a lifesaver because our marina can never seem to keep the large pump out in working condition. This is a great alternative and emergency system.

-Steve
Marina Owner

DOCK BOXES & BENCH ENDS

Dock Boxes

Todd Dock Boxes are constructed with SURPASS® material to resist the harsh marine environment. Includes stainless steel hardware with a latch that will accept a padlock. **All Todd Dock Boxes can be shipped via UPS.** Some assembly required.

Medium Dock Box: 92-1244

Dimensions	D	W	H
ID	15"	34 ^{1/2"}	19 ^{1/2"}
OD	19 ^{5/8"}	40"	21 ^{3/4"}

Large Dock Box: 92-1245

Dimensions	D	W	H
ID	20"	39"	24 ^{1/4"}
OD	26"	46"	27"



All 
 Dock Boxes
 Can Ship Via


Bucket Potty Seat

Easy to carry and to store, the Bucket Potty attaches to a 3 or 5 gallon bucket (not included). The Bucket Potty features a unique press fit that holds the seat and plastic bag liner (not included) securely to the bucket. Ideal for boating, camping, construction or hunting.

White Bucket Potty: 8002-01W

Dimensions	D	W	H
	14 ^{3/4"}	14 ^{3/4"}	2 ^{1/2"}

**"A MUST HAVE"
 FOR EVERY
 SURF CASTER**



8002-01W

This simple design will fit most everyone's needs. I was happy with the feel of the seat. It is environmentally friendly and a great way to recycle my plastic bags.

Jon Murphy,
 West Marine Customer

Todd Bench Ends

Constructed of durable, weather-resistant SURPASS® material. This unit assembles in minutes without the use of special tools and allow you to custom design the width of your bench (8' maximum). Simply add 2 x 4's to complete the bench. Available in a choice of four colors: Granite Gray, Granite Sand, Green and White. (you just supply the wood !!)

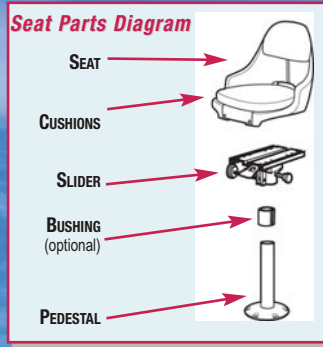
Bench End Product Number: **BE-1-__***

*To Specify color add GY (Granite Gray), or GN (Green) to the Product Number.

Product Dimensions: 25" Deep, 4" Wide, 31"High



HARDWARE



Pedestals

Made of polished, bright dipped, Marine Grade aluminum providing strong resistance to weathering and saltwater corrosion. Outside diameter of all pedestals is 2 7/8". Pedestal bases are 9" Diameter.

Fixed Height Pedestals: 53__ AD

Last 2 digits of the product number indicate the height of the pedestal in inches. Available from 6" to 30" (15-76cm) high. Pedestals 25" (63cm) and higher are welded for extra strength.

ABYC Fixed Height Pedestals: 53__A AD (Redesigned)

Last 2 digits of the product number indicate the height of the pedestal in inches 6, 8, 12, 15, 18, 24, 30" Heights. **No bushing required.**

Adjustable Pedestals: 5300 AP

Features a manual knob adjustment from 14" to 20" (36-51cm) high.

Requires bushing part #: 9994-72 (not shown)

Deluxe Adjustable Pedestals: 93-5300 AP - ABYC 93-5300A AD

The strongest adjustable pedestal available, it tightens with a 360° vice-grip style surface locking mechanism. Positively locks into place in any adjustment from 14"-20" without wobbling.

In order to meet ABYC standards all components of a seat installation must be compliant. Use Todd Seats, Swivels, Sliders, and Pedestals to insure that your installation meets the highest ABYC standards. Make sure each component of your installation meets ABYC standards.

Sliders

Provides of positive locking fore and aft adjustment on nylon gibbs. Sliders are made of Marine Grade Aluminum. All components are designed to provide resistance to weathering and salt water corrosion. **"No Wobble Designs"**

ABYC Manual Super Slider: 5201A

Slider top plate is 7^{1/4"} W x 13"L (5" fore & aft)

5201 AP Manual Super Slider (5" fore & aft)

5201LP AD ABYC Low Profile Slider (5^{1/2"} fore & aft)

5401 AD ABYC Manual Super Slider (5" fore & aft) (not shown)

ABYC Semi Automatic Slider: 6002A

Can be actuated from the starboard or post side.

Slider top plate is 9^{1/2"} W x 13^{1/4"} L - (Short Slider) 9^{1/2"} W x 11^{5/8"} L

6002 AP Semi-Auto Slider (6^{5/8"} fore & aft) (not shown)

6002AS AD Semi-Auto Short Slider (6^{5/8"} fore & aft) **Use where smaller top req.**

ABYC Low Profile Slider: 5201LP AD

For Box Mount 13^{1/4"} L x 7^{1/2"} W x 2" H

Spider

Features 360° rotation with positive lock and friction knob. A 3" deep nylon bushing protects the pedestal from abrasion and scoring.

Anodized Aluminum Spider: 5203A AD

Footrests and Collar

Footrest: 5205

Features aluminum casting, locking adjustment knob and nylon insert to prevent scratching of pedestal posts. Cannot be used with Adjustable Pedestals.

Dimensions: 13"W x 10 1/2"L - *Includes footrest collar*

Footrest Collar: 5205-1

Can be used to maintain a desired footrest height but allows the footrest to be swung out of the way. A nylon insert protects the post from scratches.



Bushings

Prevents abrasion between pedestals and mounting hardware. Slides over the top of a 2 7/8" OD pedestal.

Bushing: White: 9994-72



Mounting Plates

Used to attach a spider to a chair. Pre-drilled, counter-sunk holes fit most hardware and seats.

Aluminum Mounting Plate: 5202

Dimensions: 7 1/4"W x 13 1/8"L

Polyethylene Mounting Plate: 5202-P

White Only; **Dimensions:** 7 1/4"W x 13 1/8"L x 5/8"D



Seat Stands

Cockpit Quad Base Stand: 20-1021-SS

Super stable, 316 stainless steel quad base with a 21" footprint. The cockpit Quad Base is the simplest, cleanest design on the market and, because it's a Todd it is "Saltwater Tough."



Seating Hardware Accessories

Center Gimbal: 5204

High polished chrome plated brass, fits most Todd chairs.

Mounting Ring: 6012

An aluminum mounting ring is used when there is no access below deck for through bolting a pedestal. The ring features six 3/8" holes for deck mounting and six 1/4-20" threaded holes for hardware installation.

It can also be a back-up for pedestal installation.

Dimensions: 9" (23cm) OD, 4 1/2" (12cm) ID

Quick Release Base Plate: 20-1018

Anodized cast aluminum plate is permanently mounted to the deck and chair bases can be attached or removed to it to move chair pedestals to alternate locations. May be used with any TODD pedestal



TABLE TOPS & PEDESTALS

PATENTED SYSTEM



Todd's patented Flush Mount Base (#6900) requires either the Todd Adjustable Pedestal (#5935) OR the Todd 15" Fixed Height Pedestal (#5915). Also available for use with this unique system is the Todd 29" Fixed Height Table Pedestal (#6900-29). These Pedestals will accept: Table Spider (#5203-1), Seat Spider (#5203A), or Seat Sliders (#5201A, 6002A)

Pedestal / Table Post System

The patented Todd® Flush Mount Base system is the most versatile and easy to use pedestal base system ever designed for marine use. The system allows boaters to install a wide variety of fishing seats, rocket launchers, battle stations, table tops, etc. throughout their vessel. When desired, the seat or table may be quickly removed and stowed.

Flush Mount Base (Diameter: 9 3/8") : 6900
15" Pedestal : 5915 (not shown) Fixed Height
Adjustable Pedestal : 5935 Adjusts from 14 to 20 inches
29" Fixed Height Table Post : 6900-29 (not shown)
Table Spider : 5203-1 - Allows for rotation of any table top.



Posi-Lock Table Post System

All parts made of high grade, anodized aluminum. Bushing at bottom of post is threaded and screws into a threaded locking mechanism in the floor plate for a tighter, wobble-free fit. Post has tapered plastic end caps to eliminate corrosion. Floor plate can be recessed for flush mounting. **Patented.**

Posi-Lock Square Floor Plate: 6005-1AS
Round Table Plate: 6005-2S
Posi-Lock Table Post: 6005-__A Available 26" - 30"
Floor Plate Plug: 6005-P (Not shown)

Push-Pull Table Post System

All parts made of high grade anodized aluminum. Push / pull systems are machined to extremely close tolerances to assure a tight fit between the floor plate and post. The post has plastic end caps to eliminate corrosion between the post and plates.

Flush Mount Push-Pull Table Post System

Standard Push-Pull Table Post System
Square Flush Mount Floor Plate: 6005-1S
Round Table Plate: 6005-2S (Diameter: 7 1/2")
26" Table Post: 6005-26

Table Tops

Made of SURPASS® with 4 recessed cupholders table can be disassembled and stowed in minutes. Hardware attaches to molded-in holes on underside of table. Screws not included. Color: White (Custom colors available, call for quote upon request with high volume orders.)

Oval Table Top only: 01-100W / Dimensions: 30"L, 18"W
Round Table Top only: 99-1613W / Dimensions: 21 1/2" dia.

Table Top Packages: Includes two round table mounts (7 1/2" Dia.), a 26" table post, and a table top. If flush mounting of the floor plate is desired, specify Square Flush Mount Floor Plate (6005-1S)

Round Table top Package: 991613WC
Oval Table top Package: 01-100WC

Posi-Lock Table Top Packages:
 Includes one round table plate, one Posi-Lock square floorplate, a 26" Posi-Lock table post, and a table top

Round Posi-Lock Table Top Package: 991613WP
Oval Posi-lock Table Top Package: 01-100WP

Deluxe Table Base: 93-5408



"SALTWATER TOUGH TABLE TOPS"

ABYC Information

The American Boat and Yacht Council has recommended seating standards for the marine industry. These standards help classify pedestal applications in two separate categories. Within each of these classifications all pedestals must pass a series of test, (horizontal and vertical impacts, torque and static load test). There are also two types of Class A seats.

Class AP (Passenger) ^{AP}

Seat mount must resist 30 foot pounds of torque.

Class AD (Driver) ^{AD}

Seat mount must incorporate a “mechanical interference lock” and resist 150 foot pounds of torque.

Todd Marine Products has been a leader in establishing and complying with these recommended practices from The American Boat and Yacht Council.

All Todd Seats and Hardware Meet the Highest Standards Set forth by ABYC



Todd Products are factory installed on these and many other fine boats.



Visit TODDUSA.COM for information on becoming a Todd Marine Products Dealer



Marine Products "Saltwater Tough"

TODDUSA.COM

Product Index

	Page		Page
SEATING	1 - 6	ELECTRONICS BOXES, BATTERY BOXES	14
COMMERCIAL SEATING & UNIVERSAL LEANING POST	7	TANKS - WATER, HOLDING	15
UPHOLSTERED SEATING	8	BOARDING STEPS	16
FOR THE AVID FISHERMAN	9	GAS, DIESEL & WASTE CADDYS	17
SWINGBACK COOLERS	10	DOCK BOXES & BENCH ENDS	18
LEANING POSTS	11	HARDWARE	19-20
INFLATABLE ACCESSORIES & CONSOLES	12	TABLETOPS & PEDESTALS	21
BOARDING STAIRS & TODD FOLDING DOCK STEPS	13	ABYC INFORMATION	22

TODD MARINE PRODUCTS LIMITED WARRANTY

Todd Marine Products warrants its products to be free of defects in material and workmanship for a period of twelve (12) months from the date of retail purchase. The user's sole and exclusive remedy for any defect or failure of performance of the product shall be the return of the product with proof of purchase, shipping charges prepaid to place of purchase or to Todd Enterprises at option of user, for repair, replacement, or refund of purchase price at the option of Todd Marine Products. Warranty is void if product has been altered, abused, neglected or improperly installed. Todd Marine Products makes no warranty other than that stated above. **ALL OTHER WARRANTIES, EXPRESS OR IMPLIED, INCLUDING ANY IMPLIED WARRANTIES OF MERCHANTABILITY OR FITNESS FOR A PARTICULAR PURPOSE, ARE HEREBY EXCLUDED TO THE EXTENT EXCLUSION IS PERMITTED BY LAW, AND ANY SUCH WARRANTIES NOT SO EXCLUDED ARE HEREBY LIMITED IN DURATION TO THE WARRANTY PERIOD EXPRESSED ABOVE. LIABILITY FOR ANY INCIDENTAL OR CONSEQUENTIAL DAMAGES UNDER ANY AND ALL WARRANTIES IS HEREBY EXPRESSLY EXCLUDED.** Some states do not allow the exclusion or limitation of incidental or consequential damages, or limitations on how long an implied warranty lasts, so the above limitations or exclusions may not apply to you. This warranty gives you specific legal rights, and you may also have other rights which vary from state to state.

Distributed by

TODD PRODUCTS RESERVES THE RIGHT TO CHANGE OR DISCONTINUE PRODUCTS OR PART NUMBERS WITHOUT NOTICE. ALL PHOTOS SHOWN MAY NOT BE ACTUAL DEPICTIONS OF ITEMS, AND ARE SUBJECT TO CHANGE WITHOUT NOTICE. VISIT: TODDUSA.COM FOR UP TO DATE INFORMATION

361 Neptune Ave. West Babylon, NY 11704 USA

631-661-8300 / Fax: 631-661-5953

Toll Free 1-800-275-2436

RP-2-78



chemtainer.com



aquaworld-products.com



tracy-intl.com



dans-saddlery.com



Galaxy Marine



kodiakmarine.com



shinglecreek.com