



PRODUCT CATALOG

experience the excellence on board / prova l'eccellenza a bordo

index / indice

Company profile / Profilo aziendale _____	04 - 05
World wide sales and service / Punti vendita e centri assistenza _____	06 - 07
Cooking & cooling appliances / Piani cottura e frigoriferi _____	08 - 09
Sanitation / Sanitari _____	10 - 11
Sanitation product overview / Panoramica prodotti Sanitari _____	12 - 17
How it works / Come funziona _____	18 - 19
Technical specifications / Specifiche tecniche _____	20 - 21
Design line > 100 ft _____	22 - 35
X-Light, X-Light Short _____	24 - 25
Privilege _____	26 - 27
Evolution _____	28 - 29
Breeze _____	30 - 31
E-Breeze _____	32 - 35
Flexi line 50/100 ft _____	36 - 47
Silence Plus, Silence Plus Short _____	38 - 39
Saninautico, Saninautico Short _____	40 - 41
Elegance, Elegance Cut, Elegance Short, Elegance Cut Short _____	42 - 43
Prestige 45, Prestige 50 _____	44 - 45
Bidet Standard, Bidet Mini, Bidet Short _____	46 - 47
Compact line 20/50 ft _____	48 - 55
Nano _____	50 - 51
Compass Short _____	52 - 53
Easy Fit, Easy Fit Short _____	54 - 55
Portable line < 30 ft _____	56 - 59
Porta Potti Excellence, Qube365, Qube335 _____	58 - 59
Components and accessories / Componenti e accessori _____	60 - 71
Seat and cover / Sedili _____	62
Shower toilet / Sanitari con funzione bidet _____	63
Control panels / Pannelli di controllo _____	64 - 67
Accessories / Accessori _____	68
Sanisplit NK _____	69
Washbasins / Lavabi _____	70 - 71
System set up / Schemi di installazione _____	72 - 81

THETFORD MARINE IS THE TEAM YOU CAN RELY ON!



Company profile

For the past 50 years, the Thetford Group has been recognized as the world market leader in mobile sanitary systems, refrigerators, cooking equipment and toilet additives. Thetford Marine is the nautical division. Thetford Marine has a complete and marine-dedicated product portfolio with the strong brands Tecma for sanitation, Thetford for cooking and Norcold for refrigeration.

The marine world is one of sophisticated equipment, beautiful design and impressive performance. Boat designers, builders, owners, crews, and users all have a vested interest in the smooth operation and management of their vessel, whatever it may be. At Thetford Marine we understand the nowadays yachtsmen's requirements and the requested flexibility to perfectly match the product to your yacht and situation.

Being your partner you're guaranteed of

- Reliable partner
- Long-term relationship
- Service oriented
- Extensive know-how, built on long experience and dedication
- Experienced Italian design team
- Maximum flexibility

Profilo aziendale

Il gruppo Thetford è riconosciuto come azienda leader nella creazione di sistemi sanitari, frigoriferi, piani cottura e forni per unità mobili da più di 50 anni. Thetford Marine è la divisione nautica di Thetford che con i famosi marchi di Tecma per i sanitari, Thetford per i piani cottura e Norcold per i frigoriferi offre un'ampia gamma di prodotti dedicati al mercato nautico.

Il mondo della nautica richiede equipaggiamenti sofisticati, di design e di alta tecnologia. Progettisti, costruttori, armatori, equipaggi ed ospiti sono accomunati dall'unico interesse che ogni equipaggiamento a bordo funzioni perfettamente così da garantire una crociera senza problemi. Noi di Thetford Marine comprendiamo i requisiti dei diportisti di oggi ed offriamo quella flessibilità richiesta per rispondere con il giusto prodotto ad ogni esigenza e situazione.

Vantaggi ad lavorare con noi

- Un partner affidabile
- Una relazione a lungo termine
- Orientati al cliente
- Profondo know-how costruito su una lunga esperienza e dedizione
- Design 100% italiano
- Massima flessibilità

GLOBAL SALES, LOCAL SERVICE



World wide sales and service network

As a trustworthy full system supplier, Thetford Marine understands the needs of its OEM, yards, architects and yachtmen. Therefore our products are globally available, thanks to our worldwide extensive and reliable distribution network.

Next to that, Thetford Marine understands that buyers and users of marine equipment occasionally have to service their equipment. This must be convenient and fast. The Thetford Marine Service Centres are located across the world and offer professional support, stocks of spare parts and immediate native in-port response. Thetford Marine offers a three-year warranty on its sanitation and cooking appliances. The Tecma and Norcold product lines have a two-year warranty.

Find your nearest sales or service point online at www.thetfordmarine.com

Rete vendita ed assistenza in tutto il mondo

Come fornitore di fiducia Thetford Marine comprende le necessità dei suoi clienti, costruttori, architetti, cantieri e diportisti. Pertanto i nostri prodotti sono disponibili in tutto il mondo grazie alla nostra estesa ed affidabile rete di distribuzione.

Oltre a questo Thetford Marine sa che acquirenti e utilizzatori di equipaggiamenti nautici hanno bisogno di quando in quando di effettuare degli interventi di assistenza sui loro equipaggiamenti e che questo tipo di servizio debba essere rapido e conveniente. I Centri assistenza Thetford Marine sono dislocati in tutto il mondo ed offrono supporto professionale, stock di parti di ricambio ed una risposta immediata a livello locale. Thetford Marine offre 2 anni di garanzia per i sanitari Tecma e per i frigoriferi Norcold e 3 anni per i piani cottura e sanitari Thetford.

Trova il punto vendita o centro assistenza più vicino sul nostro sito web www.thetfordmarine.com

SATISFY YOUR APPETITE ON BOARD



Cooking & Cooling appliances

While enjoying life on the sea, owners and crew get hungry too. In order to supply the best complimentary marine hardware, Thetford Marine is developing their product portfolio.

Thetford Marine offers a global product assortment for sanitation, cooking and cooling appliances. With the A-brands of Thetford and Norcold, Thetford Marine has the possibilities to serve you better and better. Where the current product portfolio matches the yachtsmen's requirements in the United States of America, product development is ongoing to match the yachtsmen's requirements in Europe and Asia or the South Pacific.

For more information and updates consult our sales representatives.

Piani cottura e frigoriferi

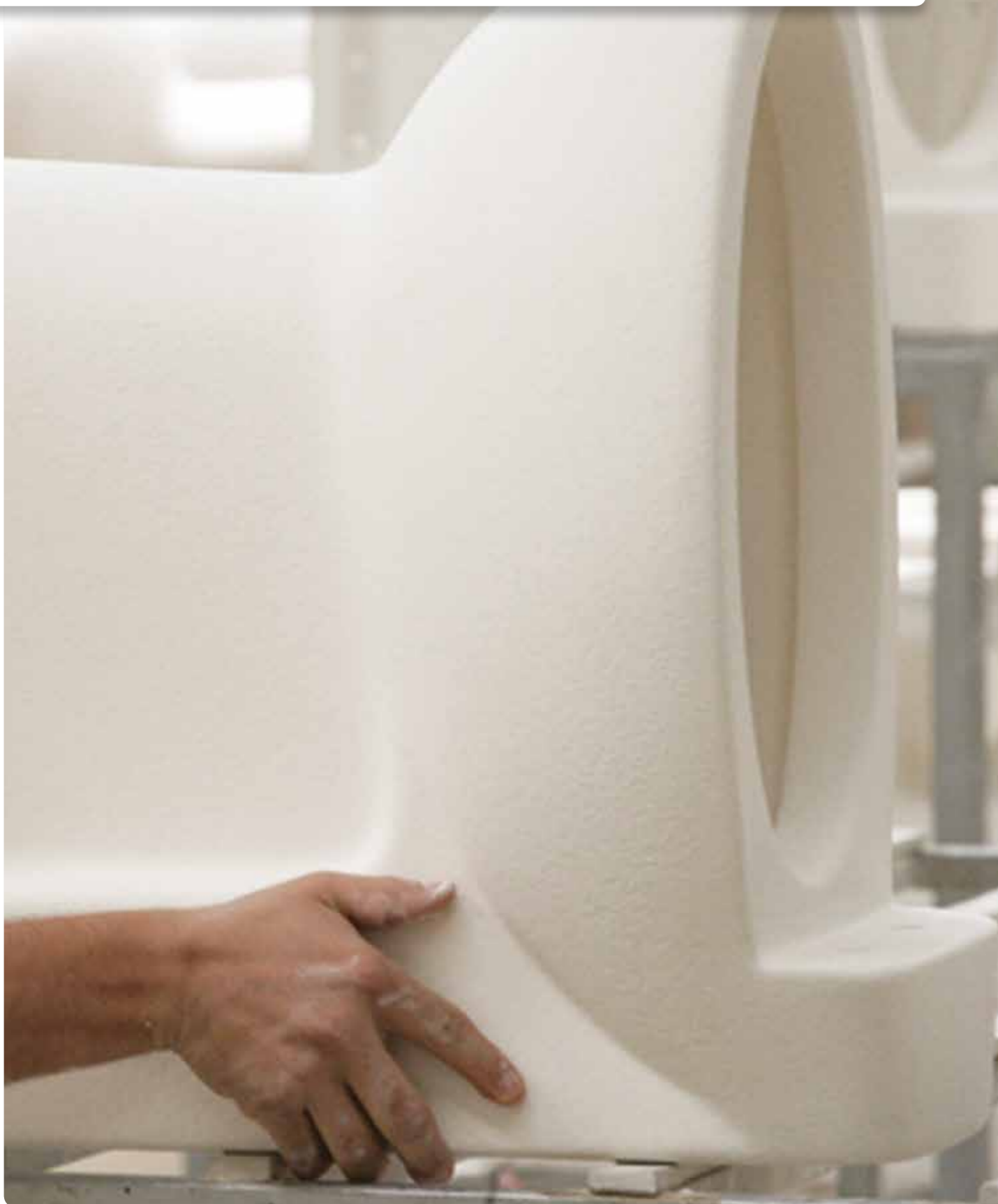
Si sa che per godere a pieno una crociera in mare è fondamentale avere del buon cibo. Thetford Marine ha quindi deciso di ampliare il proprio portafoglio prodotti con i migliori equipaggiamenti nautici per la cucina.

Thetford Marine offre un assortimento completo di sanitari, piani cottura e frigoriferi. Con i prodotti dei brand Thetford e Norcold, Thetford Marine ha la possibilità di servirvi sempre meglio. Laddove l'attuale portafoglio prodotti soddisfa già a pieno i requisiti dei diportisti negli Stati Uniti, il ns centro ricerca e sviluppo sta lavorando per renderlo adatto alle esigenze dei diportisti in Europa, in Asia e nel Sud Pacifico.

Per maggiori informazioni ed aggiornamenti consultate i nostri centri distribuzione.

TECMA

EXPERIENCE THE EXCELLENCE ON BOARD!



Beautiful boats deserve beautiful sanitary hardware

The beauty, performance and long term value is paramount for those who design, build, own and charter boats. At this crossing point of uncompromising engineering and elegant style, the world of marine sanitation is a critical detail which has to perform trouble free. This is the world of Tecma, the macerator sanitation of Thetford Marine.

Benefits at a glance

Top design, quality components and production, and an uncompromising attitude and fast response to client needs have given Tecma its leading position.

Tecma macerator toilets - the facts

- Over 100.000 Tecma macerator toilets onboard worldwide.
- Awarded and certified products (CE, TÜV-GS, CSA, MET).
- Inventor of the built-in macerator technology.
- 100 % quality.

All Tecma macerator toilets have:

- A state of the art marine sanitation technology.
- Reliable operation.
- Extremely silent operation.
- Easy and fast installation.
- Water and power saving operation.



Imbarcazioni di lusso meritano sanitari di lusso

Per tutti coloro che progettano, costruiscono, posseggono o noleggiano imbarcazioni e che ritengono che la bellezza, le prestazioni e la durata nel tempo siano valori primari per il loro investimento. In questo punto di incontro tra stile e tecnologia, il mondo dei sistemi sanitari nautici si trova ad affrontare un punto critico in cui la funzionalità del sistema deve garantire la totale assenza di problemi. Questo è il mondo di Tecma, il sistema sanitario con maceratore Thetford Marine.

Panoramica dei vantaggi

Design eccellente, produzione di componenti di ottima qualità, un approccio rigoroso ed una rapida risposta alle mutevoli esigenze dei clienti hanno conferito all'azienda la sua posizione leader nel mercato.

Sistemi sanitari Tecma - i fatti

- Più di 100.000 sistemi sanitari installati in tutto il mondo.
- Prodotti premiati e certificati (CE, TÜV-GS, CSA, UL-MET).
- Inventore della tecnologia del maceratore.
- Qualità 100%.

Tutti i sistemi sanitari Tecma hanno:

- La tecnologia all'avanguardia dei sanitari nautici.
- Affidabilità.
- Estrema silenziosità.
- Installazione facile e veloce.
- Risparmio idrico ed energetico.

ALWAYS THE PERFECT FIT

SEMPRE LA SOLUZIONE MIGLIORE



design line

This product line is recommended for yachts of 100 feet of length and more.

Modern furniture, decor, art, style and marine technology are all combined in this range of products. Pairing units in a bathroom offers attractive symmetry. Design create values, values create the future.

Un gruppo di prodotti pensato per barche di 100 piedi e oltre.

Tecma offre quattro collezioni realizzate per arredare i lussuosi interni di altrettanto lussuose navi. Ogni collezione è composta da una coppia formata da toilette e bidet. L'attenzione ai dettagli è maniacale così come il livello di rifinitura.

Un prodotto di design crea valore, il valore crea il futuro.



flexi line

This product line is recommended for yachts of length ranging between 50 and 100 feet.

When it gets to sanitation, Thetford Marine helps the designer to make this process as smooth and easy as possible. Thetford Marine developed perfect toilet designs in three different sizes. The designer can pick up exactly what is required to outfit the specific bathroom, whether it is the master, VIP, guest, day or crew head.

Un gruppo di prodotti pensato per barche comprese tra 50 e 100 piedi.

Nella scelta del sistema sanitario Thetford Marine agevola il progettista offrendo la possibilità di avere il prodotto giusto per ogni spazio, mantenendo invariata la stessa tecnologia e vincoli impiantistici. Da prua a poppa, il progettista trova in questo range la giusta soluzione per ogni spazio a seconda dei vincoli, a seconda che siano spazi armatoriali, VIP, ospiti o equipaggio.



design line



flexi line



compact line



portable line

	X-Light	X-Light Short	Privilege	Evolution	Breeze	E-Breeze
More information	page 24 - 25	page 24 - 25	page 26 - 27	page 28 - 29	page 30 - 31	page 32 - 35
h x w x d	430 x 360 x 470 mm 16.9 x 14.2 x 18.5 inches	330 x 360 x 470 mm 12.9 x 14.2 x 18.5 inches	485 x 390 x 500 mm 19.1 x 15.4 x 19.7 inches	445 x 370 x 555 mm 17.5 x 14.6 x 21.9 inches	460 x 390 x 500 mm 18.1 x 15.4 x 19.7 inches	550 x 390 x 500 mm 21.7 x 15.4 x 19.7 inches
Weight	7 kg / 15.4 lb	6.6 kg / 14.6 lb	28 kg / 61.7 lb	27 kg / 59.5 lb	27 kg / 59.5 lb	30 kg / 66.1 lb
Water usages per flush	0.5 - 2.7 L / 0.1 - 0.7 gal	0.5 - 2.7 L / 0.1 - 0.7 gal	0.5 - 2.7 L / 0.1 - 0.7 gal	0.5 - 2.7 L / 0.1 - 0.7 gal	0.5 - 2.7 L / 0.1 - 0.7 gal	0.5 - 2.7 L / 0.1 - 0.7 gal
Color*	Carbon look Custom color on request	Carbon look Custom color on request	White Custom color on request	White Custom color on request	White Custom color on request	White Custom color on request
Seat and cover (see page 62)	Carbon fibre [white bowl] Custom color and color combinations available on request	Carbon fibre [white bowl] Custom color and color combinations available on request	Thermosetting with soft closing system [Sugatsune™ damper]	Thermosetting with soft closing system	Thermosetting with soft closing system [Sugatsune™ damper]	Multiframed seat and cover Thermosetting with soft closing system
Outlet pump (see page 20 - 21)	MAC 11 12/24 v Optional: MAC 11 110/230 v	MAC 11 12/24 v	MAC 11 12/24 v Optional: MAC 11 110/230 v	MAC 11 12/24 v Optional: MAC 11 110/230 v	MAC 11 12/24 v Optional: MAC 11 110/230 v	MAC 11 12/24 v Optional: MAC 11 110/230 v
Inlet device (see page 20 - 21)	Solenoid Optional: inlet pump	Solenoid Optional: inlet pump	Solenoid Optional: inlet pump	Solenoid Optional: inlet pump	Solenoid Optional: inlet pump	Solenoid Optional: inlet pump
Control panel (see page 64 - 67)	All-in-one Optional: Multiframed / Argent / Touch / Premium / Premium Touch	All-in-one Optional: Multiframed / Argent / Touch / Premium / Premium Touch	All-in-one Optional: Multiframed / Argent / Touch / Premium / Premium Touch	All-in-one Optional: Multiframed / Argent / Touch / Premium / Premium Touch	All-in-one Optional: Multiframed / Argent / Touch / Premium / Premium Touch	All-in-one Optional: Multiframed / Argent / Touch / Premium / Premium Touch
Bidet	Matching bidet [p. 25]	Bidet X-light [p. 25]	Matching bidet [p. 27] Optional: integrated bidet function with wall mounted mixer [p. 63]	Matching bidet [p. 29] Optional: integrated bidet function with side mounted mixer [p. 63]	Matching bidet [p. 31] Optional: integrated bidet function with side mounted mixer [p. 63]	Electronic integrated bidet [p. 32 - 35]
Feature	Ultra design, full carbon fibre, silent flush, low consumption	Ultra design, full carbon fibre, silent flush, low consumption	Italian ceramic, ultra design, silent flush, low consumption	Italian ceramic, suspended, silent flush, low consumption	Italian ceramic, smooth design, silent flush, low consumption	Italian ceramic, smooth design, silent flush, low consumption
Accessories	page 68	page 68	page 68	page 68	page 68	page 68

	Silence Plus	Silence Plus Short	Saninautico	Saninautico Short	Elegance	Elegance Cut
More information	page 38 - 39	page 38 - 39	page 40 - 41	page 40 - 41	page 42 - 43	page 42 - 43
h x w x d	460 x 390 x 510 mm 18.1 x 15.4 x 20.1 inches	350 x 390 x 510 mm 13.8 x 15.4 x 20.1 inches	460 x 370 x 430 mm 18.1 x 14.6 x 16.9 inches	350 x 370 x 430 mm 13.8 x 14.6 x 16.9 inches	460 x 370 x 430 mm 18.1 x 14.6 x 16.9 inches	460 x 370 x 430 mm 18.1 x 14.6 x 16.9 inches
Weight	27.6 kg / 60.8 lb	24.5 kg / 54.2 lb	23.7 kg / 52.2 lb	20 kg / 44.1 lb	23.5 kg / 51.8 lb	23 kg / 50.7 lb
Water usages per flush	0.5 - 2.7 L / 0.1 - 0.7 gal	0.5 - 2.7 L / 0.1 - 0.7 gal	0.5 - 2.7 L / 0.1 - 0.7 gal	0.5 - 2.7 L / 0.1 - 0.7 gal	0.5 - 2.7 L / 0.1 - 0.7 gal	0.5 - 2.7 L / 0.1 - 0.7 gal
Color*	White Optional: bone / black	White Optional: bone / black	White Optional: bone / black	White Optional: bone / black	White Optional: bone / black	White Optional: bone / black
Seat and cover (see page 62)	Polyester with soft closing system [Sugatsune™ damper] Optional: Thermosetting with soft closing	Polyester with soft closing system [Sugatsune™ damper] Optional: Thermosetting with soft closing	Polyester with soft closing system Optional: Thermosetting with soft closing	Polyester with soft closing system Optional: Thermosetting with soft closing	Polyester with soft closing system [Sugatsune™ damper] Optional: Thermosetting with soft closing	Polyester with soft closing system [Sugatsune™ damper] Optional: Thermosetting with soft closing
Outlet pump (see page 20 - 21)	MAC 11 12/24 v Optional: MAC 11 110/230 v	MAC 11 12/24 v	MAC 11 12/24 v Optional: MAC 11 110/230 v	MAC 11 12/24 v	MAC 11 12/24 v Optional: MAC 11 110/230 v	MAC 11 12/24 v
Inlet device (see page 20 - 21)	Solenoid Optional: inlet pump	Solenoid Optional: inlet pump	Solenoid Optional: inlet pump	Solenoid Optional: inlet pump	Solenoid Optional: inlet pump	Solenoid Optional: inlet pump
Control panel (see page 64 - 67)	Multiframed Optional: All-in-one / Argent / Touch / Premium / Premium Touch	Multiframed Optional: All-in-one / Argent / Touch / Premium / Premium Touch	Multiframed Optional: All-in-one / Argent / Touch / Premium / Premium Touch	Multiframed Optional: All-in-one / Argent / Touch / Premium / Premium Touch	Multiframed Optional: All-in-one / Argent / Touch / Premium / Premium Touch	Multiframed Optional: All-in-one / Argent / Touch / Premium / Premium Touch
Bidet	Flexi line bidets [p. 46 - 47] Optional: integrated bidet function	Flexi line bidets [p. 46 - 47] Optional: integrated bidet function	Flexi line bidets [p. 46 - 47] Optional: integrated bidet function	Flexi line bidets [p. 46 - 47] Optional: integrated bidet function	Flexi line bidets [p. 46 - 47] Optional: integrated bidet function	Flexi line bidets [p. 46 - 47] Optional: integrated bidet function
Feature	Italian ceramic, big seat size, silent flush, low consumption	Italian ceramic, big seat size, silent flush, low consumption	Italian ceramic, medium seat size, silent flush, low consumption	Italian ceramic, medium seat size, silent flush, low consumption	Italian ceramic, small seat size, silent flush, low consumption	Italian ceramic, small seat size, silent flush, low consumption
Accessories	page 68	page 68	page 68	page 68	page 68	page 68

	Elegance Short	Elegance Cut Short	Prestige 45	Prestige 50
More information	page 42 - 43	page 42 - 43	page 44 - 45	page 44 - 45
h x w x d	360 x 370 x 430 mm 14.2 x 14.6 x 16.9 inches	360 x 370 x 430 mm 14.2 x 14.6 x 16.9 inches	490 x 380 x 465 mm 19.3 x 15.0 x 18.3 inches	470 x 350 x 510 mm 18.5 x 13.8 x 20.1 inches
Weight	20.5 kg / 45.2 lb	19.9 kg / 43.8 lb	22.6 kg / 49.8 lb	26.8 kg / 59.1 lb
Water usages per flush	0.5 - 2.7 L / 0.1 - 0.7 gal	0.5 - 2.7 L / 0.1 - 0.7 gal	0.5 - 2.7 L / 0.1 - 0.7 gal	0.5 - 2.7 L / 0.1 - 0.7 gal
Color*	White Optional: bone / black	White Optional: bone / black	White	White
Seat and cover (see page 62)	Polyester with soft closing system [Sugatsune™ damper] Optional: Thermosetting with soft closing	Polyester with soft closing system [Sugatsune™ damper] Optional: Thermosetting with soft closing	Polyester	Polyester
Outlet pump (see page 20 - 21)	MAC 11 12/24 v	MAC 11 12/24 v	MAC 11 12/24 v Optional: MAC 11 230 v	MAC 11 12/24 v Optional: MAC 11 230 v
Inlet device (see page 20 - 21)	Solenoid Optional: inlet pump	Solenoid Optional: inlet pump	Solenoid Optional: inlet pump	Solenoid Optional: inlet pump
Control panel (see page 64 - 67)	Multiframed Optional: All-in-one / Argent / Touch / Premium / Premium Touch	Multiframed Optional: All-in-one / Argent / Touch / Premium / Premium Touch	Integrated push button, full flush cycle	Integrated push button, full flush cycle
Bidet	Flexi line bidets [p. 46 - 47] Optional: integrated bidet function	Flexi line bidets [p. 46 - 47] Optional: integrated bidet function	Flexi line bidets [p. 46 - 47]	Flexi line bidets [p. 46 - 47]
Feature	Italian ceramic, small seat size, silent flush, low consumption	Italian ceramic, small seat size, silent flush, low consumption	Italian ceramic, home like, silent flush, low consumption	Italian ceramic, home like, silent flush, low consumption
Accessories	page 68	page 68	page 68	page 68

	Nano	Compass Short	Easy Fit	Easy Fit Short
More information	page 50 - 51	page 52 - 53	page 54 - 55	page 54 - 55
h x w x d	295 x 370 x 446 mm 11.6 x 14.6 x 17.5 inches	365 x 365 x 485 mm 14.4 x 14.4 x 19.1 inches	445 x 365 x 475 mm 17.5 x 14.4 x 18.7 inches	365 x 365 x 475 mm 14.4 x 14.4 x 18.7 inches
Weight	17.6 kg / 38.8 lb	19.5 kg / 40.0 lb	21 kg / 47.4 lb	19.5 kg / 43.0 lb
Water usages per flush	0.5 - 2 L / 0.1 - 0.5 gal	0.5 - 2 L / 0.1 - 0.5 gal	0.5 - 2 L / 0.1 - 0.5 gal	0.5 - 2 L / 0.1 - 0.5 gal
Color*	White	White	White Optional: bone	White Optional: bone
Seat and cover (see page 62)	Thermosetting	Thermosetting soft closing	Molded wood with multicoat enamel finish	Molded wood with multicoat enamel finish
Outlet pump (see page 20 - 21)	MAC 4 12/24 v	MAC 4 12/24 v	MAC 4 12/24 v	MAC 4 12/24 v
Inlet device (see page 20 - 21)	Solenoid Optional: inlet pump	Solenoid Optional: inlet pump	Solenoid Optional: inlet pump	Solenoid Optional: inlet pump
Control panel (see page 64 - 67)	Eco rocker switch Optional: Premium Plus	Eco rocker switch Optional: Premium Plus	Eco rocker switch Optional: Premium Plus	Eco rocker switch Optional: Premium Plus
Bidet	No matching bidet	No matching bidet	No matching bidet	No matching bidet
Feature	Italian ceramic, silent flush, low consumption, only 295 mm / 11.6 inches	Italian ceramic, compact versatile, silent flush, low consumption	Italian ceramic, compact, silent flush, low consumption	Italian ceramic, compact, silent flush, low consumption
Accessories	page 68	page 68	page 68	page 68

	Porta Potti Excellence	Porta Potti Qube 365	Porta Potti Qube 335
More information	page 58 - 59	page 58 - 59	page 58 - 59
h x w x d	448 x 388 x 450 mm 17.6 x 13.3 x 17.7 inches	414 x 383 x 427 mm 16.3 x 15.1 x 16.8 inches	313 x 342 x 382 mm 12.3 x 13.46 x 15 inches
Weight	5.3 kg / 11.7 lb [Piston flush] 5.5 kg / 12.1 lb [Electric flush]	4.0 kg / 8.8 lb [Piston flush]	3.3 kg / 7.3 lb [Piston flush]
Water usages per flush	N/A	N/A	N/A
Color*	White	White	White
Seat and cover (see page 62)	Portable toilet seating height 443 mm / 17.4 inches	Portable toilet seating height 408 mm / 16 inches	Portable toilet seating height 308 mm / 12.1 inches
Outlet pump (see page 20 - 21)	N/A	N/A	N/A
Inlet device (see page 20 - 21)	N/A	N/A	N/A
Control panel (see page 64 - 67)	N/A	N/A	N/A
Bidet	N/A	N/A	N/A
Feature	Portable toilet with level indicator for the waste-holding tank and flush-water tank	Portable toilet with level indicator for the waste-holding tank	Portable toilet with level indicator for the waste-holding tank
Accessories	N/A	N/A	N/A



compact line

This product line is recommended for yachts of length ranging between 20 and 50 feet.

It is a real challenge for a yacht designer to assemble all the components in the volume space of a 20-50 feet yacht, as boat owners expect to find the same level of comfort of a bigger yacht. These Tecma toilets are equipped with a properly sized macerator pump combined with a space saving toilet shape.

Un gruppo di prodotti pensato per barche comprese tra 20 e 50 piedi.

Quando si progetta una barca di 20-50 piedi è una sfida riuscire a pianificare l'allestimento in modo da comprendere tutti i componenti massimizzando il livello di comfort. Thetford Marine ha studiato dei prodotti con una pompa maceratrice compatta, e ha sviluppato delle apposite geometrie per installazioni in barche più piccole, questo anche grazie alla collaborazione con importanti progettisti navali.

Read more: p. 48 till 55. / Leggi di più: da pag. 48 a 55.



portable line

This product line is recommended for yachts under 30 feet in length.

Dayboat and sport boats do not require a permanent sanitation system. Thetford Marine offers the perfect solution for fast, easy and cost effective sanitary solution. The affirmed quality of Thetford Porta Potti is the perfect compromise.

Un gruppo di prodotti pensato per barche inferiori ai 30 piedi.

Piccoli natanti o barchette sportive spesso non hanno un impianto acque nere permanente. Thetford Marine offre la possibilità economica, pratica e veloce per avere una toilette a tutti gli effetti.

Read more: p. 56 till 59. / Leggi di più: da pag. 56 a 59.

HOW IT WORKS

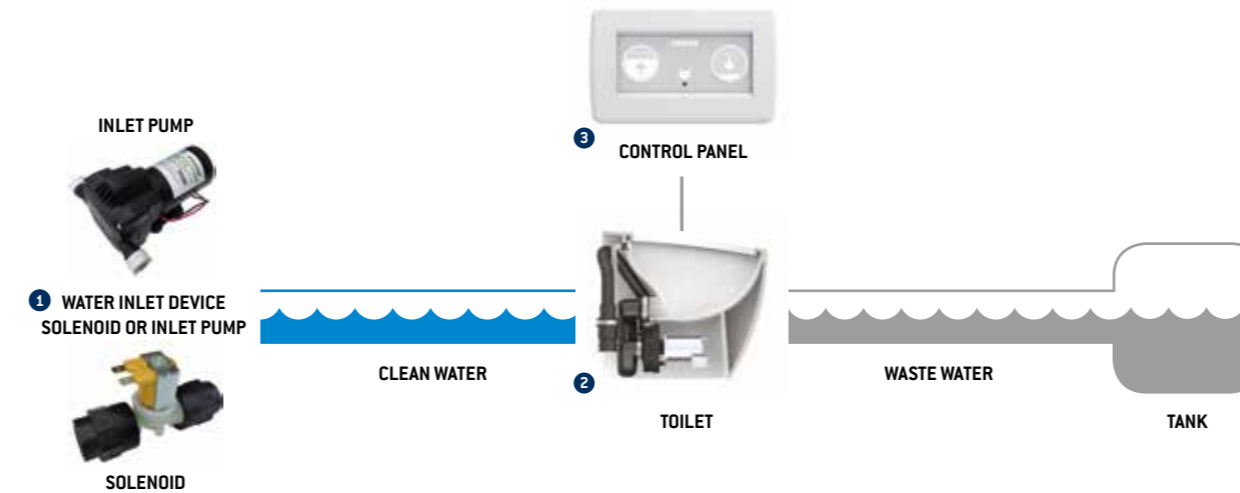
COME FUNZIONA

How it works

- 1 The water inlet device delivers clean water to the inside of the toilet bowl.
- 2 The macerator pump, integrated in the ceramic toilet, grinds the waste and then transfers it to the black water holding tank.
- 3 The flush cycle is activated by pressing the control panel buttons.

Come funziona

- 1 Il dispositivo per l'immissione dell'acqua, immette acqua pulita nel WC.
- 2 La pompa maceratrice, integrata nella ceramica, tritura i rifiuti e li trasferisce alla cassa delle acque nere.
- 3 Il ciclo di scarico si attiva tramite il pannello di controllo.



3 components with several possibilities

Each Tecma macerator toilet is ready to be installed with fast and easy electrical connectors and standard size hose fittings, for clean water inlet and waste water outlet. You will always receive the 3 components with several options and possibilities:



A **Italian ceramic toilet complete** of seat and cover and integrated **macerator pump** for waste pump out. **WC in ceramica Italiana** con coprivaso e **maceratore integrato** nella ceramica completo di tubature per il carico e lo scarico.



B **Control panel / user interface.** **Pannello di controllo / Interfaccia** per il cliente.



C **Clean water inlet device / solenoid or inlet pump (dedicated).** **Dispositivo immissione acqua / elettrovalvola o pompa immissione** [apposita].

THE PROVEN TECHNOLOGY

TECNOLOGIA COMPROVATA

Macerator

- Easier waste transfer and no clogging as the cutting blades emulsify all waste.
- Macerator chamber before the impeller for optimal grinding.
- Silent in operation.
- Integrated in the ceramic toilet.

Maceratore

- Trasferimento rifiuti più semplice e senza intasamento grazie alle lame disgreganti.
- Anticamera della girante per un'ottimale macerazione.
- Silenzioso.
- Integrato nella ceramica.



Clean water inlet device

Depending on the installation on board this will be a solenoid valve or a central dedicated pressure pump to control either fresh or raw water flow.

Dispositivo di immissione dell'acqua

A seconda del tipo di installazione sarà un'elettrovalvola o una pompa di immissione.



Solenoid centralized system

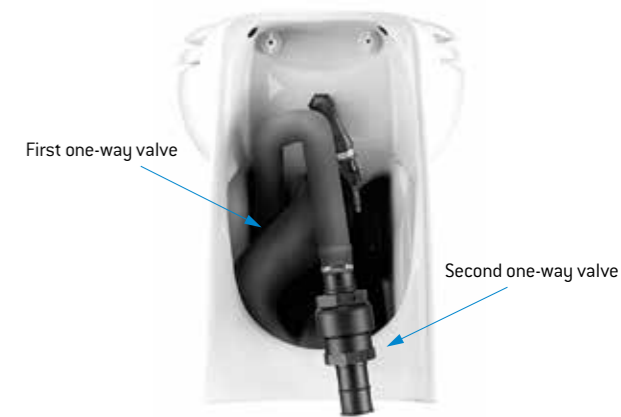
Inlet pump single system

Waste water flow

- Special discharge hose shape and two "one-way valve" are strategically positioned.
- Flexible discharge pipe installation with straight and elbow fitting.
- Locking and preventing backflow.
- Water traps of clean water.
- No bad smells.
- No cavitation.

Flusso di scarico

- Speciale forma del tubo di scarico e due valvole di non ritorno posizionate in punti chiave.
- Tubo di scarico flessibile con fissaggio dritto e a gomito.
- Bloccaggio a prevenzione di ritorno di acque di scarico.
- Tappi idraulici di acqua pulita.
- Nessun cattivo odore.
- No a fenomeni di cavitazione.



Flush technology

- Efficient spray nozzle maximizing hygiene.
- No need of toilet dripping rim.
- High-pressure water jet.
- Faster and better cleaning.
- 100% bowl coverage.
- Low water consumption per flush.

Tecnologia di scarico

- Efficiente sistema di scarico con nozzle. Igiene ottimizzata.
- Nessuna necessità di fori sulla ceramica.
- Getto d'acqua ad alta pressione.
- Pulizia più rapida e migliore.
- Copertura totale della superficie del WC.
- Basso consumo d'acqua per ogni scarico.




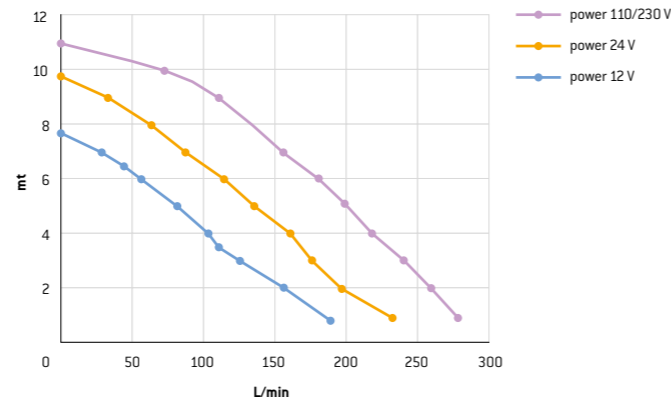
TECHNICAL SPECIFICATIONS


SPECIFICHE TECNICHE


Design line & Flexi line

	Type
Design & flexi line	Tecma 12V
	Tecma 24V
	Tecma 110V
	Tecma 230V

 MAC 11 outlet pump macerator turbine	12V dc	24V dc	110V ac	230V ac
	Fuse recommended	40 A	30 A	8 A
Pump performance	Max 270 L/min 71.3 gpm Max vertical head 11 mt 36.1 ft Max horizontal distance 90 mt 295.3 ft			
Outlet Duck Bill valve (male)	1,5" required ID 1,5" (38,5mm)			
Nozzle Inlet fitting (barbed)	1/4"			




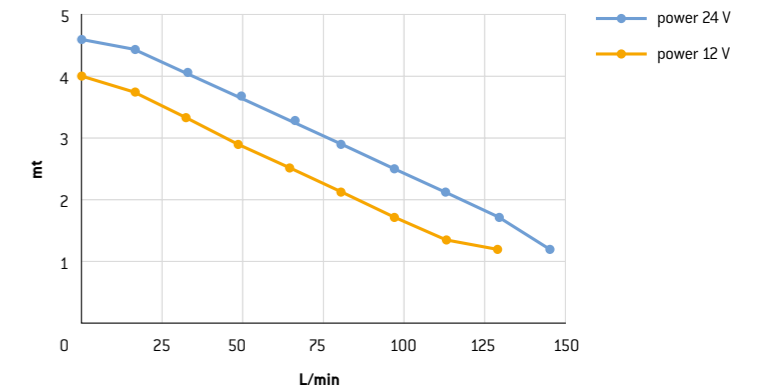
 INLET SOLENOID centralized system	12V dc	24V dc	110V ac	230V ac
	Power consumption	9.5 W	10 W	6 W
Working pressure recommended	3 bar	3 bar	3 bar	3 bar
Solenoid Inlet & Outlet (threaded female)	1/2"			


 INLET PUMP raw water pump single system	12V dc	24V dc
	Fuse	8 A
Pressure	45 PSI - 3 bar	
Water flow	12 L/min 3.17 gmp	


Compact line

	Type	Fuse (AMPS)
Compact line	Easy Fit 12V	30
	Easy Fit 24V	20

 MAC 4 outlet pump macerator turbine	12V dc	24V dc
	Fuse recommended	30 A
Pump performance	Max vertical head 4 mt 13.1 ft Max horizontal distance 40 mt 131.2 ft	
Outlet Duck Bill valve (male)	1,5" required ID 1,5" (38,5mm)	
Nozzle Inlet fitting (barbed)	1/4"	



 INLET SOLENOID centralized system	12V dc	24V dc	110V ac	230V ac
	Power consumption	9.5 W	10 W	6 W
Working pressure recommended	3 bar	3 bar	3 bar	3 bar
Solenoid Inlet (threaded male)	1/2" required female threaded 1/2"			
Solenoid outlet (barbed male)	1/4"			

 INLET PUMP raw water pump single system	12V dc	24V dc
	Fuse	8 A
Pressure	45 PSI - 3 bar	
Water flow	12 L/min 3.17 gmp	

* Specifications subject to change.



design line



- X-light
- Privilege
- Evolution
- Breeze
- E-breeze

More technical details: p. 60-81. / Maggiori informazioni tecniche: pag. da 60 a 81.

X-LIGHT

Extreme design, grand-prix performance
Design estremo, performance da grand-prix



Full carbon fibre
Fibra di carbonio



Wide range of control panels
Ampia scelta di comandi



X-Light

The X-Light collection is an original Tecma design.

The units are manufactured using top quality pre-preg carbon fibre for low weight and maximum rigidity. An advanced post cure treatment is applied, to guarantee the best structural integrity and aesthetic. While the basic colour is the black 'carbon' look, a large range of other colours is available on request.

The marine toilet is specially designed for high performance sailing and motor yachts. The weight of the bowl is about 2 kg, which with the other components, produces a toilet of less than 7 kg in weight, some 19 kg lighter than most traditional models. The innovative and easily accessible macerator pump is integrated. Design and production have been exposed to the full rigours of modern thinking. The X-Light bidet provides a mirror image to the matching toilet and its particular symmetry and attractive installation. Pairing units in a bathroom offers attractive symmetry.

Also on board of: *Nomad IV Finot-Conq FC100 - Maxi Dolphin boatbuilder 2013.*

X-Light

La collezione X light è un progetto originale Tecma.

La toilette e il bidet sono realizzati interamente in fibra di carbonio pre-preg. Il composito viene lavorato usando tecniche e tecnologie modernissime che garantiscono al prodotto finale la solidità e la struttura necessaria con un peso incredibilmente ridotto.

Il consolidamento avviene in autoclave a temperatura e pressione controllata, questo consente di garantire la massima leggerezza e resistenza strutturale. Un accurato test qualitativo seleziona solamente i prodotti perfetti al 100% dove le trame della fibra sono perfettamente orientate secondo uno schema geometrico ben definito, che conferisce al prodotto finale l'aspetto unico per il quale questo prodotto è diventato famoso. La finitura "carbonio a vista" lucida od opaca è standard, ma può anche essere rifinito con un colore RAL qualsiasi. Il peso complessivo dell'insieme è inferiore ai 7 Kg, e comprende tutti i componenti inclusa la scocca della toilette, il sedile e la potente pompa maceratrice con tutte le connessioni. Completa la collezione il bidet X light, anche questo è interamente realizzato in fibra di carbonio e il peso non supera i 2 Kg.

Anche a bordo di: *Nomad IV Finot-Conq FC100 - Maxi Dolphin boatbuilder 2013.*

X-Light toilet



WEIGHT 7 kg / 15.4 lb

X-Light Short toilet



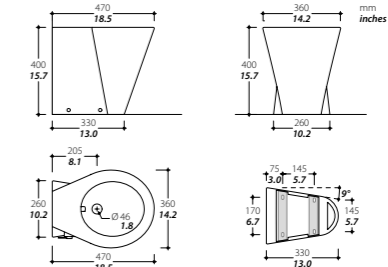
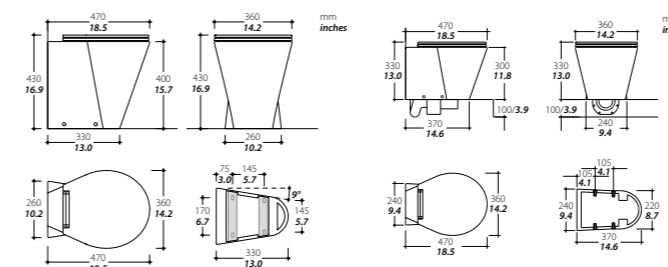
WEIGHT 6.6 kg / 14.6 lb

X-Light bidet



WEIGHT 2 kg / 4.4 lb
COLOR Carbon look with white bowl, Custom color on request
FEATURE Ultra design, full carbon fibre

WATER USAGE	0.5 - 2.7 L / 0.1 - 0.7 gal per flush
COLOR	Carbon look with white bowl, Custom color on request
SEAT AND COVER	Carbon fibre, Custom color on request
OUTLET PUMP	MAC 11 12/24 v p. 20 X-Light: optional: MAC 11 110/230 v p. 20
INLET DEVICE	Solenoid, optional: inlet pump
CONTROL PANEL	All-in-one, optional: Multiframe / Argent / Touch / Premium / Premium Touch p. 64 - 67
BIDET	Matching bidet
FEATURE	Ultra design, full carbon fibre, silent flush, low consumption
RELATED	Accessories p. 68 Washbasins p. 70 - 71



PRIVILEGE



Generous in size and comfort
Ricco in dimensioni e comodità



Italian ceramic
Ceramica Italiana



Optional: integrated bidet
Bidet integrato opzionale



Soft closing
Chiusura frizionata



Wide range of control panels
Ampia scelta di comandi



TECMA design line > 100 ft

Privilege

The Privilege collection is an original Tecma design.

Generous in size and extremely comfortable, the Privilege perfectly fits the contemporary trends in the domestic sanitation market.

Its design reflects the high standards and more rounded forms of home toilets.

The Privilege's rounded and ergonomically designed bowl gives this marine toilet a very original and distinctive designer look. This collection can be finished in a wide range of different colors, gloss or matte. Tecma developed a special technology to laminate real gold or platinum on the outer surface for the most demanding customers.

The Privilege bidet provides a mirror image to the matching toilet and its particular symmetry and attractive installation.

Also on board of: Majesty Yachts 135'.

Award: Dame 2008 / category winner.

Privilege

La collezione Privilege è un progetto originale Tecma.

Ampia ed estremamente comoda, la toilette Privilege è perfettamente in linea con le ultime tendenze del settore degli impianti sanitari domestici. Il suo design rispecchia gli standard elevati e le forme più arrotondate delle toilette di casa.

La linea della toilette Privilege, progettata con forma arrotondata ed ergonomica combinata alla base più squadrata e geometrica, conferisce a questa toilette nautica un aspetto molto originale e particolare, con un design che si distingue.

Il bidet Privilege riflette l'immagine della rispettiva toilette originando così una particolare simmetria in un'installazione accattivante.

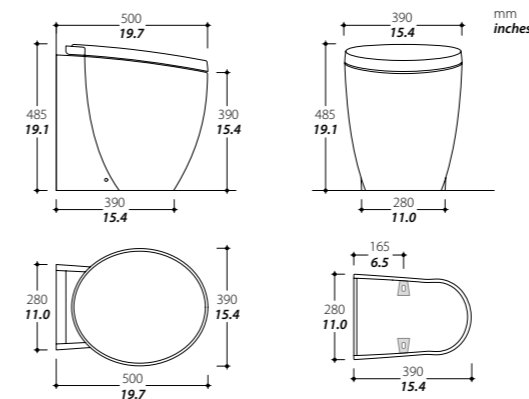
Anche a bordo di: Majesty Yachts 135'.

Premio: Dame 2008 / categoria vincitori.

Privilege toilet



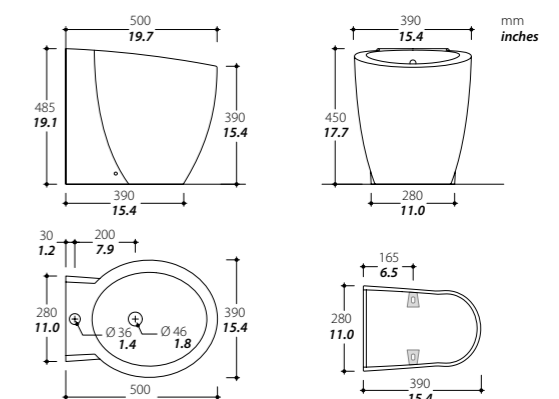
WEIGHT	28 kg / 61.7 lb
WATER USAGE	0.5 - 2.7 L / 0.1 - 0.7 gal per flush
COLOR	White, Custom color on request
SEAT AND COVER	Thermosetting with soft closing system (Sugatsune™ damper) p. 62
OUTLET PUMP	MAC 11 12/24 v, optional: MAC 11 110/230 v p. 20
INLET DEVICE	Solenoid, optional: inlet pump
CONTROL PANEL	All-in-one, optional: Multiframe / Argent / Touch / Premium / Premium Touch p. 64 - 67
BIDET	Matching bidet, optional: integrated bidet function with wall mounted mixer
FEATURE	Italian ceramic, ultra design, silent flush, low consumption
RELATED	Accessories p. 68 Washbasins p. 70 - 71



Privilege bidet



WEIGHT	22 kg / 48.5 lb
COLOR	White, Custom color on request
FEATURE	Italian ceramic, ultra design



EVOLUTION



Advanced 'wall hung' solution La magnifica soluzione 'sospesa'



Italian ceramic
Ceramica Italiana



Optional: integrated bidet
Bidet integrato opzionale



Soft closing
Chiusura frizionata



Wide range of control panels
Ampia scelta di comandi



TECMA design line > 100 ft

Evolution

The Evolution collection is an original Tecma design.

The suspended installation (wall-mounted) is combined with comfortable dimensions and truly sleek design. Its so-called split system allows the ceramic bottom cover of the unit to be separated from the rest which in turn allows the entire mechanical assembly to be in full view. The split system is an elegant design feature on a technologically advanced product facilitating maintenance and inspection. This collection has been recently redesigned and the lines have been updated to a new modern and consistent style. This new design has been nominated at 2010 Dame Award. The suspended Evolution toilet, which is invisibly mounted on the bathroom wall, offers maximum hygiene and cleaning practicality. It is equipped with an innovative soft closing system for the cover. The damper mechanism gently controls the closing speed of the cover, thus avoiding possible damage and noise that could disturb a guest's sleep and comfort.

The Evolution bidet provides a mirror image to the matching toilet and its particular symmetry and attractive installation.

Also on board of: State of Grace - Perini Navi 45mt/131ft

Award: Dame 2010 / nominated.

Evolution

La collezione Evolution è un progetto originale Tecma.

Evolution è una toilette nautica sospesa (montata a muro) dalle confortevoli dimensioni e dal design davvero elegante. Il cosiddetto Split System di cui è dotata consente alla base in ceramica di essere separata dal resto dell'unità, il che permette al resto del gruppo meccanico di essere completamente a vista. Lo Split System rappresenta un'elegante soluzione di design applicata a un prodotto tecnologicamente avanzato che consente di facilitare le operazioni di manutenzione e, se necessario, di riparazione. La toilette Evolution dispone di un innovativo sistema di chiusura frenato del sedile. Questa caratteristica standard consente una chiusura delicata, evitando un impatto eccessivo sulla toilette ed eventuali danni e rumori, che potrebbero disturbare il sonno e la comodità degli ospiti.

Il design elegante e il montaggio a muro fanno sì che toilette e bidet formino una coppia perfetta.

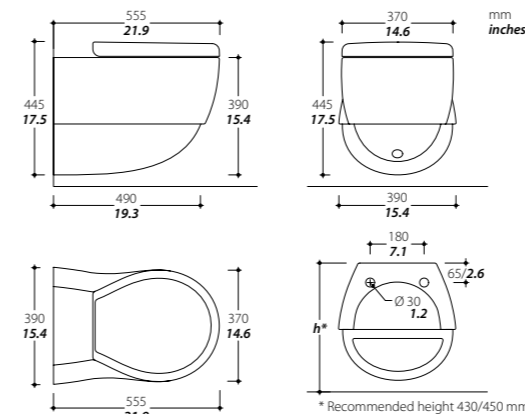
Anche a bordo di: State of Grace - Perini Navi 45mt/131ft

Premio: Dame 2010 / nominated.

Evolution toilet



WEIGHT	27 kg / 59.5 lb
WATER USAGE	0.5 - 2.7 L / 0.1 - 0.7 gal per flush
COLOR	White, Custom color on request
SEAT AND COVER	Thermosetting with soft closing system, optional: Polyester soft closing p. 62
OUTLET PUMP	MAC 11 12/24 v, optional: MAC 11 110/230 v p. 20
INLET DEVICE	Solenoid, optional: inlet pump
CONTROL PANEL	All-in-one, optional: Multiframe / Argent / Touch / Premium / Premium Touch p. 64 - 67
BIDET	Matching bidet, optional: integrated bidet function with wall mounted mixer p. 63
FEATURE RELATED	Italian ceramic, suspended, silent flush, low consumption Accessories p. 68 Washbasins p. 70 - 71

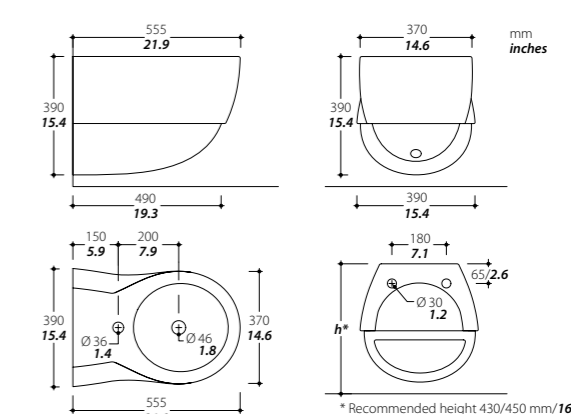


* Recommended height 430/450 mm / 16.9/17.7 inches

Evolution bidet



WEIGHT	22 kg / 48.5 lb
COLOR	White, Custom color on request
FEATURE	Italian ceramic, suspended



* Recommended height 430/450 mm / 16.9/17.7 inches

BREEZE

Clean and modern design
Stile moderno e design pulito



Italian ceramic
Ceramica Italiana



Optional: integrated bidet
Bidet integrato opzionale



Soft closing
Chiusura frizionata



Wide range of control panels
Ampia scelta di comandi



TECMA design line > 100 ft

Breeze

The Breeze collection is an original Tecma design.

Smooth, round lines have been translated in a unique 'home-like' shape that combines seating comfort and ergonomics.

This collection has been designed to take in consideration of the geometry of more classic Tecma models. This makes the retrofit and the installation in existing bathroom spaces smooth and easy.

This toilet is well balanced and equipped with an innovative soft closing system for the cover. The damper mechanism gently controls the closing speed of the cover, thus avoiding possible damage and noise that could disturb a guest's sleep and comfort.

In the event of inspection or maintenance, a special fast removing hinge system makes the disassemble operation fast and easy.

The Breeze bidet provides a mirror image to the matching toilet and its particular symmetry and attractive installation. Pairing units in a bathroom offers attractive symmetry.

Also on board of: Delta Powerboat 80' - Lars Modin design 2013.

Breeze

La collezione Breeze è un progetto originale Tecma.

Le forme di questa collezione sono morbide ed arrotondate.

Un design accattivante che combina comfort di seduta ed ergonomia. Gli ingombri di questa serie sono i medesimi del classico modello Tecma Silence Plus per refitting semplici e veloci.

La toilette Breeze dispone di un innovativo sistema di chiusura frenato del sedile. Questa caratteristica standard consente una chiusura delicata, evitando un impatto eccessivo sulla toilette ed eventuali danni e rumori, che potrebbero disturbare il sonno e la comodità degli ospiti. Il tutto abbinato ad un nuovo sistema di smontaggio rapido frontale del sedile che agevola pulizia e manutenzione.

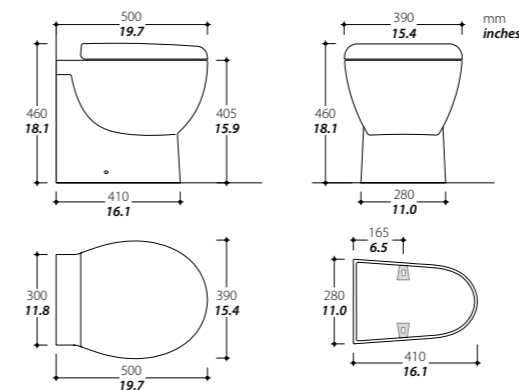
Il bidet Breeze riflette l'immagine della rispettiva toilette originando così una particolare simmetria in un'installazione accattivante.

Anche a bordo di: Delta Powerboat 80' - Lars Modin design 2013.

Breeze toilet



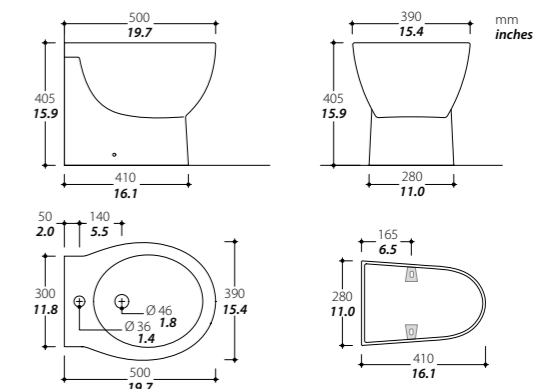
WEIGHT	27 kg / 59.5 lb
WATER USAGE	0.5 - 2.7 L / 0.1 - 0.7 gal per flush
COLOR	White, Custom color on request
SEAT AND COVER	Thermosetting with soft closing system (Sugatsune™ damper) p. 62
OUTLET PUMP	MAC 11 12/24 v, optional: MAC 11 110/230 v p. 20
INLET DEVICE	Solenoid, optional: inlet pump
CONTROL PANEL	All-in-one, optional: Multiframe / Argent / Touch / Premium / Premium Touch p. 64 - 67
BIDET	Matching bidet, optional: integrated bidet function with side mounted mixer p. 63
FEATURE	Italian ceramic, smooth design, silent flush, low consumption
RELATED	Accessories p. 68 Washbasins p. 70 - 71



Breeze bidet



WEIGHT	16 kg / 35.3 lb
COLOR	White, Custom color on request
FEATURE	Italian ceramic, ultra smooth design



E-BREEZE

Style and technology combined
Combinazione di stile e tecnologia



Italian ceramic
Ceramica Italiana



Integrated bidet
Bidet integrato



Soft closing
Chiusura frizionata



Wide range of control panels
Ampia scelta di comandi



TECMA design line > 100 ft

E-Breeze

Designed to meet the requirements of international sanitary design and hygienic habitudes, the E-Breeze combines the proved reliability of Tecma marine toilet systems, with the innovative technology of the electronic multifunction bidet.

The installation is easy and is ideal also for interiors, where there is no space for a separated bidet or where weight saving is required.

A full set of certifications guarantees the quality of this new product: CQC, CE, IC, IEC, IECEE.

Electronic bidet features:

- Posterior, feminine and 'kids' cleaning program.
- Massage function.
- Heated seat with variable temperature setting.
- Warm water with variable temperature setting.
- Dryer.
- Deodorized.
- Function IIP (Intensive Impulse Pulsation). Variable spray.
- Automatic cleansing of the wands.

Also on board of: Benetti Classic 131' - 2013.

More about the E-Breeze on the next page.

E-Breeze

Questo prodotto è stato progettato guardando ad oriente e tenendo conto di abitudini diverse da quelle europee.

Tecma ha studiato ed interpretato queste necessità in modo da soddisfare nuove generazioni di armatori, abbinando un modello della propria linea di prodotti con un avanzato sistema tecnologico studiato per la massima igiene personale: il bidet elettronico multifunzione.

L'installazione e l'utilizzo sono facili ed intuitivi, ed adatti anche come soluzione in caso di mancanza di spazio per il bidet separato. Un set completo di certificazioni assicurano l'elevata affidabilità e robustezza di questo prodotto. I comandi vengono attivati tramite un elegante telecomando senza fili. È una pura combinazione di design e tecnologia.

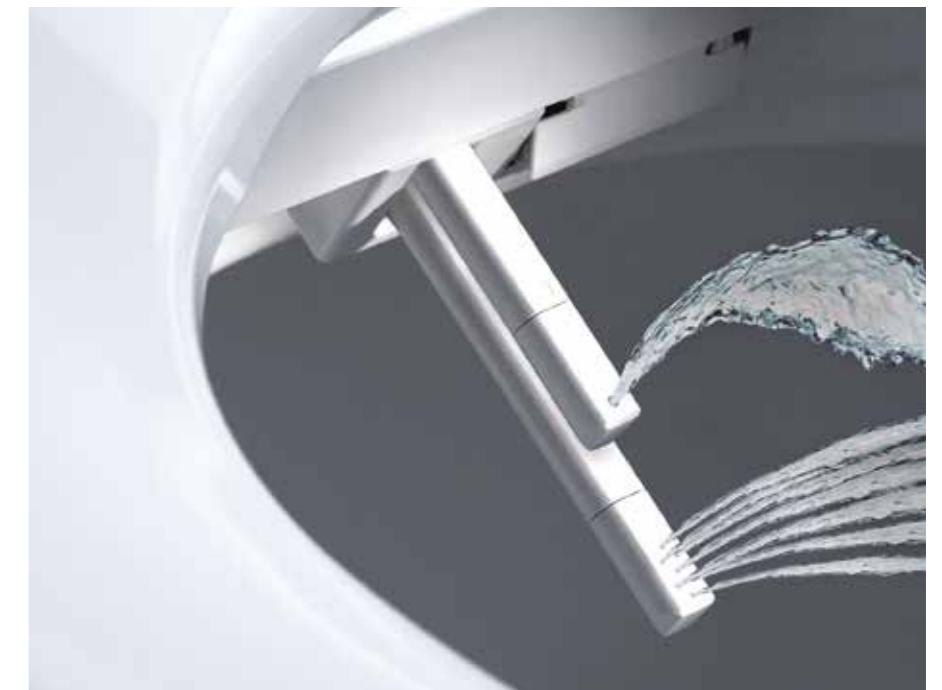
Certificazioni: CQC, CE, IC, IEC, IECEE.

Funzioni del bidet elettronico:

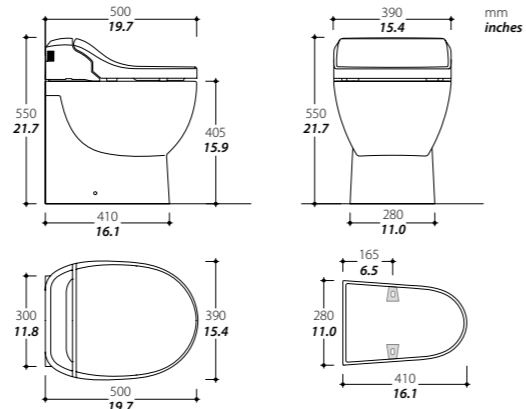
- Programma di pulizia posteriore, femminile o 'bambini'.
- Funzione massaggio.
- Seduta riscaldata a temperatura regolabile.
- Temperatura dell'acqua regolabile.
- Funzione asciugatura.
- Deodorizzatore.
- Funzione IIP (pulsazione intensiva). Getto a intensità variabile.
- Pulizia automatica degli ugelli.

Anche a bordo di: Benetti Classic 131' - 2013.

Scopri di più riguardo l'E-Breeze nella prossima pagina.



E-Breeze toilet

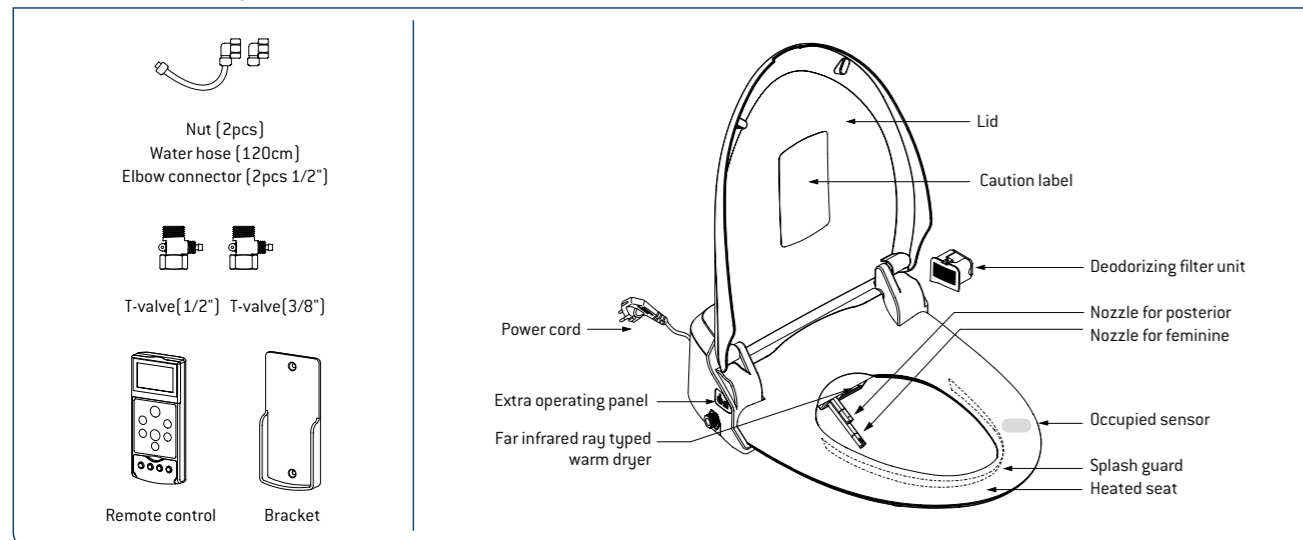


- WEIGHT** 30 kg / **66.1 lb**
- WATER USAGE** 0.5 - 2.7 L / **0.1 - 0.7 gal** per flush
- COLOR** White, Custom color on request
- SEAT AND COVER** Multifunction seat and cover, thermosetting with soft closing system p. 62
- OUTLET PUMP** MAC 11 12/24 v, optional: MAC 11 110/230 v p. 20
- INLET DEVICE** Solenoid, optional: inlet pump
- CONTROL PANEL** All-in-one, optional: Multiframe / Argent / Touch / Premium / Premium Touch p. 64 - 67
- BIDET FEATURE** Electronic integrated bidet
Italian ceramic, smooth design, silent flush, low consumption

For Macerator toilet details see Breeze model p. 31

Electronic bidet technical details		
Personalized controls / Controllo funzioni	Wireless Remote Control - Batteries (AAA x 3) / Telecomando - pile AAA x 3	
Power supply / Alimentazione	AC 220 - 240 V - 50 Hz	
Maximum power consumption / Consumo elettrico massimo	1160 - 1380 W	
Tap water pressure / Pressione mandata acqua	0.79 - 7.40 Atm	
Heated seat / Sedile riscaldato	Temperature / Temperatura	Adjustable (3 levels) / 3 livelli di regolazione / 34 °C - 40 °C / 93.2 °F - 104.0 °F
	Safety device / Dispositivo di sicurezza	Temp. fuse / Fusibile termico
	Power consumption / Consumo elettrico	55 - 65 W
Hygiene / Igiene	Temperature / Temperatura	Adjustable (3 levels) / 3 livelli di regolazione / 34 °C - 40 °C / 93.2 °F - 104.0 °F
	Water spray / Intensità getto	Adjustable (5 levels) / 5 livelli di regolazione / - max 1 L/min 0.2642 gpm
	Safety devices / Dispositivi di sicurezza	Temp. fuse / Fusibile termico Thermal switch / Interruttore termico Floating switch / Interruttore a galleggiante
	Power consumption / Consumo elettrico	1100 - 1309 W
Air dryer / Asciugatura	Temperature / Temperatura	Adjustable (5 levels) / 5 livelli di regolazione
	Safety device / Dispositivo di sicurezza	Temp. fuse / Fusibile termico
	Power consumption / Consumo elettrico	280 - 333 W
Electricity safety protection / Dispositivi di sicurezza elettrica	15 mA - GFCI	
Power cord length (mm) / inches / Lunghezza cavo alimentazione (mm) / inches	1800 mm / 70.9 inches	
N° of wands / N° ugelli	2	
Degree of Protection / Grado di protezione	IP 24	
Warranty / Garanzia	2 years / 2 anni	

Electronic bidet and components

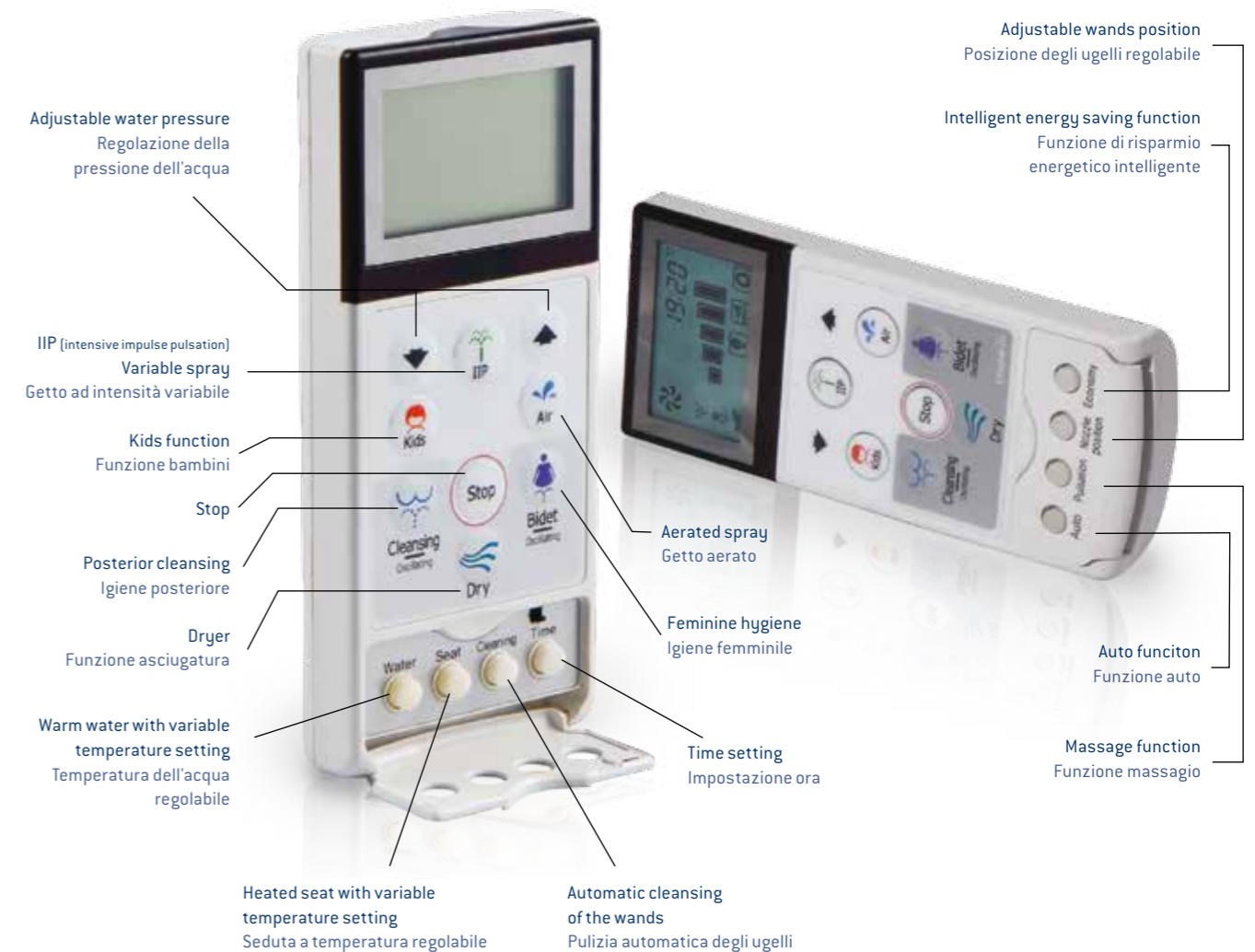


E-Breeze remote control

The multifunction electronic bidet is controlled by an elegant wireless remote control. This is a pure combination of hygiene and technology in a heavy duty and fully certified marine solution.

Telecomando E-Breeze

Il bidet elettronico multifunzione è attivato da un telecomando senza fili. Una combinazione pura di igiene e tecnologia in un dispositivo nautico affidabile e certificato.



Airdryer / Asciugatura



Catch plate / Piastra di montaggio



Deodoriser / Deodorante



Occupied sensor / Sensore di presenza





flexi line



- Silence Plus
 - Silence Plus Short
- Saninautico
 - Saninautico Short
- Elegance
 - Elegance Cut
 - Elegance Short
 - Elegance Cut Short
- Prestige 45
 - Prestige 50
- Flexi line Bidets
 - Bidet Standard
 - Bidet Mini
 - Bidet Short

SILENCE PLUS

Elegant design and ultra low noise
Elegante ed estrema silenziosità



Italian ceramic
Ceramica Italiana



Optional: integrated bidet
Bidet integrato opzionale



Big bowl
Vaso grande



Soft closing
Chiusura frizionata



Wide range of control panels
Ampia scelta di comandi



TECMA flexi line 50/100 ft

Silence Plus

The Silence Plus is the 'big bowl' model of the Flexi-Line.

It is supremely effective and comfortable. The length of 51 cm / 20.1 inches effectively creates the like-at-home seating feeling.

This icon of the Tecma brand is already fitted on board of thousands of yachts around the world.

The short version of this model was designed to install on a raising step, usually 10 cm / 3.9 inches high. For this purpose, the height of the ceramic shell is reduced to 36 cm / 14.2 inches to compensate and level with the standard seating height of 46 cm / 18.1 inches. Installing the toilet on a higher waterline will maximize the efficiency of the space around the toilet mounting area.

Also on board of: Ferretti Group, Azimut-Benetti, Sanlorenzo, Sunseeker, Montecarlo Yachts.

Silence Plus

Tra i prodotti che compongono il gruppo di prodotti FLEX, il Silence Plus è il modello con il bacino di "taglia grande": 51 cm / 20.1 inches di lunghezza offrono una replica perfetta del comfort domestico.

Questa è un'icona del marchio Tecma ed è installato ormai a bordo di migliaia di barche in giro per il mondo.

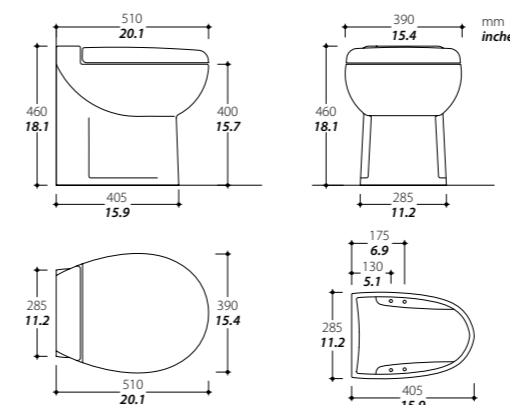
La versione "bassa" è stata progettata per installazioni che prevedono un gradino di rialzo di 10 cm / 3.9 inches, in questo caso, l'altezza della ceramica è di 36 cm / 14.2 inches in modo da avere una seduta che sia a 46 cm / 18.1 inches dal paiolato, come da standard.

Anche a bordo di: Ferretti Group, Azimut-Benetti, Sanlorenzo, Sunseeker, Montecarlo Yachts.

Silence Plus toilet



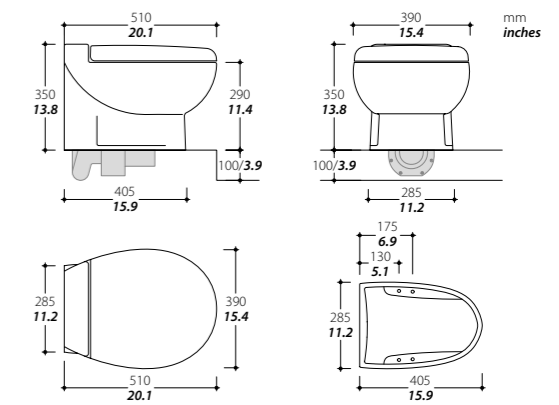
WEIGHT	27.6 kg / 60.8 lb
WATER USAGE	0.5 - 2.7 L / 0.1 - 0.7 gal per flush
COLOR	White, optional: bone / black
SEAT AND COVER	Polyester with soft closing system (Sugatsune™ damper), optional: Thermosetting with soft closing p. 62
OUTLET PUMP	MAC 11 12/24 v, optional: MAC 11 110/230 v p. 20
INLET DEVICE	Solenoid, optional: inlet pump
CONTROL PANEL	Multiframe, optional: All-in-one / Argent / Touch / Premium / Premium Touch p. 64 - 67
BIDET	Flexi line bidets p. 44, optional: integrated bidet function p. 63
FEATURE	Italian ceramic, big seat size, silent flush, low consumption
RELATED	Accessories p. 68 Washbasins p. 70 - 71



Silence Plus Short toilet



WEIGHT	24.5 kg / 54.2 lb
WATER USAGE	0.5 - 2.7 L / 0.1 - 0.7 gal per flush
COLOR	White, optional: bone / black
SEAT AND COVER	Polyester with soft closing system (Sugatsune™ damper), optional: Thermosetting with soft closing p. 62
OUTLET PUMP	MAC 11 12/24 v p. 20
INLET DEVICE	Solenoid, optional: inlet pump
CONTROL PANEL	Multiframe, optional: All-in-one / Argent / Touch / Premium / Premium Touch p. 64 - 67
BIDET	Flexi line bidets p. xx, optional: integrated bidet function p. 63
FEATURE	Italian ceramic, big seat size, silent flush, low consumption
RELATED	Accessories p. 68 Washbasins p. 70 - 71



SANINAUTICO

A stylish and space saving solution
Una soluzione elegante e salvaspazio



Italian ceramic
Ceramica Italiana



Optional: integrated bidet
Bidet integrato opzionale



Medium bowl
Vaso medio



Soft closing
Chiusura frizionata



Wide range of control panels
Ampia scelta di comandi



TECMA flexi line 50/100 ft

Saninautico

The Saninautico is the 'medium bowl' model of the Flexi-Line. It is designed to maximize the comfort within a very limited space. The length of 43 cm / **16.9 inches** effectively creates the like-at-home seating feeling. This icon of the Tecma brand is already fitted on board of thousands of yachts around the world. The short version of this model was designed to install on a raising step, usually 10 cm **3.9 inches** high. For this purpose, the height of the ceramic shell is reduced to 36 cm / **14.2 inches** to compensate and level with the standard seating height of 46 cm / **18.1 inches**. Installing the toilet on a higher waterline will maximize the efficiency of the space and volumes around the toilet mounting area.

Also on board of: *Ferretti Group, Azimut-Benetti, Sanlorenzo, Sunseeker, Montecarlo Yachts.*

Saninautico

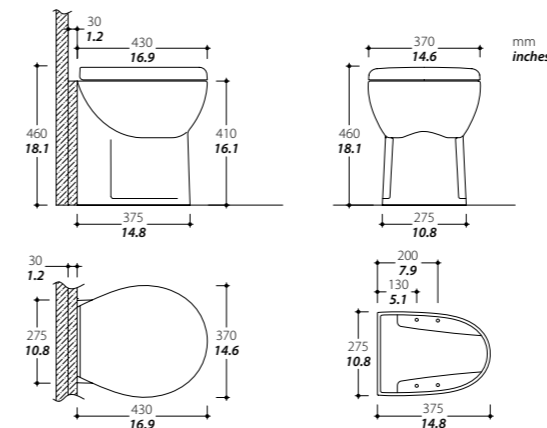
Tra i prodotti che compongono il gruppo di prodotti FLEX, il Saninautico è il modello con il bacino di "taglia media": 43 cm / **16.9 inches** di lunghezza offrono una replica perfetta del comfort domestico, in uno spazio ridotto. Questa è un'icona del marchio Tecma ed è installato ormai a bordo di migliaia di barche in giro per il mondo. La versione "bassa" è stata progettata per installazioni che prevedono un gradino di rialzo di 10 cm, in questo caso, l'altezza della ceramica è di 36 cm / **14.2 inches** in modo da avere una seduta che sia a 46 cm / **18.1 inches** dal paiolato, come da standard.

Anche a bordo di: *Ferretti Group, Azimut-Benetti, Sanlorenzo, Sunseeker, Montecarlo Yachts.*

Saninautico toilet



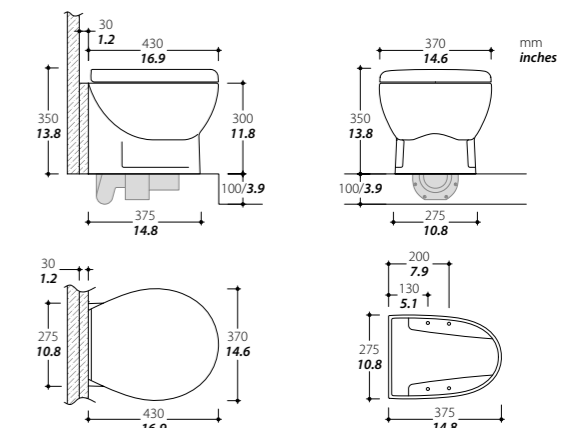
WEIGHT	23.7 kg / 52.2 lb
WATER USAGE	0.5 - 2.7 L / 0.1 - 0.7 gal per flush
COLOR	White, optional: bone / black
SEAT AND COVER	Polyester with soft closing system, optional: Thermosetting with soft closing p. 62
OUTLET PUMP	MAC 11 12/24 v, optional: MAC 11 110/230 v p. 20
INLET DEVICE	Solenoid, optional: inlet pump
CONTROL PANEL	Multiframe, optional: All-in-one / Argent / Touch / Premium / Premium Touch p. 64 - 67
BIDET	Flexi line bidets p. 44, optional: integrated bidet function p. 63
FEATURE	Italian ceramic, medium seat size, silent flush, low consumption
RELATED	Accessories p. 68 Washbasins p. 70 - 71



Saninautico Short toilet



WEIGHT	20 kg / 44.1 lb
WATER USAGE	0.5 - 2.7 L / 0.1 - 0.7 gal per flush
COLOR	White, optional: bone / black
SEAT AND COVER	Polyester with soft closing system, optional: Thermosetting with soft closing p. 62
OUTLET PUMP	MAC 11 12/24 v p. 20
INLET DEVICE	Solenoid, optional: inlet pump
CONTROL PANEL	Multiframe, optional: All-in-one / Argent / Touch / Premium / Premium Touch p. 64 - 67
BIDET	Flexi line bidets p. 44, optional: integrated bidet function p. 63
FEATURE	Italian ceramic, medium seat size, silent flush, low consumption
RELATED	Accessories p. 68 Washbasins p. 70 - 71



ELEGANCE

Designed for smaller spaces
Pensata per gli spazi più piccoli



Italian ceramic
Ceramica Italiana



Optional: integrated bidet
Bidet integrato opzionale



Small bowl
Vaso piccolo



Soft closing
Chiusura frizionata



Wide range of control panels
Ampia scelta di comandi



Elegance

The Elegance is the 'small bowl' size model of the Flexi Line, it is designed to maximize the comfort within an extremely limited space. The length of 43 cm / 16.9 inches effectively creates the like-at-home seating feeling. This icon of the Tecma brand is already fitted on board of thousands of yachts around the world. The short version of this model was designed to install on a raising step, usually 10 cm / 3.9 inches high. For this purpose, the height of the ceramic shell is reduced to 36 cm / 14.2 inches to compensate and level with the standard seating height of 46 cm / 18.1 inches. Installing the toilet on a higher waterline will maximize the efficiency of the space and volume around the toilet mounting area. The Elegance Cut, is designed to be mounted against an angled back wall. This is the perfect solution to adapt the toilet to the hull flare.

Also on board of: Ferretti Group, Azimut-Benetti, Sanlorenzo, Sunseeker, Montecarlo Yachts.

Elegance

Tra i prodotti che compongono il gruppo di prodotti FLEX, l'Elegance è il modello con il bacino di "taglia piccola": 43 cm / 16.9 inches di lunghezza offrono una replica perfetta del comfort domestico in uno spazio ridottissimo. Questa è un'icona del marchio Tecma ed è installato ormai a bordo di migliaia di barche in giro per il mondo. La versione "bassa" è stata progettata per installazioni che prevedono un gradino di rialzo di 10 cm / 3.9 inches, in questo caso, l'altezza della ceramica è di 36 cm / 14.2 inches in modo da avere una seduta che sia a 46 cm / 18.1 inches dal paiolato, come da standard. Due versioni aggiuntive, Elegance Cut, prevedono una diversa inclinazione della parte posteriore del vaso consentendo il montaggio in adesione con le forme dello scafo e dei rivestimenti non perpendicolari.

Anche a bordo di: Ferretti Group, Azimut-Benetti, Sanlorenzo, Sunseeker, Montecarlo Yachts.

Elegance toilet



WEIGHT | 23.5 kg / 51.8 lb
WATER USAGE | 0.5 - 2.7 L / 0.1 - 0.7 gal per flush

Elegance Cut toilet



WEIGHT | 23 kg / 50.7 lb
WATER USAGE | 0.5 - 2.7 L / 0.1 - 0.7 gal per flush

Elegance Short toilet



WEIGHT | 20.5 kg / 45.2 lb
WATER USAGE | 0.5 - 2.7 L / 0.1 - 0.7 gal per flush

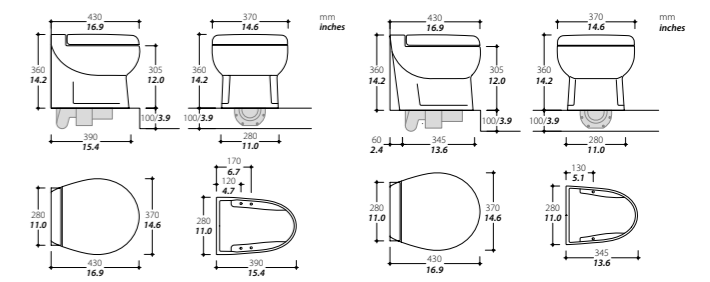
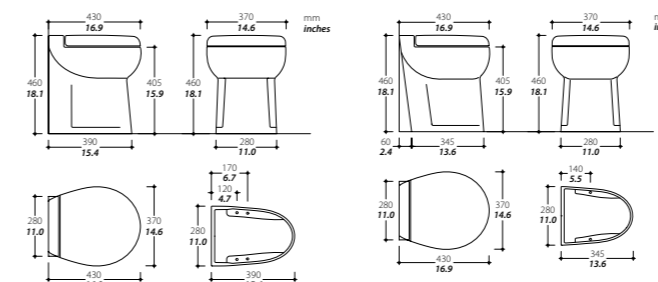
Elegance Cut Short toilet



WEIGHT | 19.9 kg / 43.8 lb
WATER USAGE | 0.5 - 2.7 L / 0.1 - 0.7 gal per flush

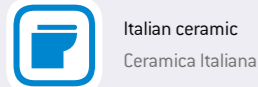
COLOR | White, optional: bone / black
SEAT AND COVER | Polyester with soft closing system (Sugatsune™ damper), optional: Thermosetting with soft closing p. 62
OUTLET PUMP | MAC 11 12/24 v, Elegance: optional: MAC 11 110/230 v p. 20
INLET DEVICE | Solenoid, optional: inlet pump
CONTROL PANEL | Multiframe, optional: All-in-one / Argent / Touch / Premium / Premium Touch p. 64 - 67
BIDET | Flexi line bidets p. 44, optional: integrated bidet function p. 63
FEATURE | Italian ceramic, small seat size, silent flush, low consumption
RELATED | Accessories p. 68 Washbasins p. 70 - 71

COLOR | White, optional: bone / black
SEAT AND COVER | Polyester with soft closing system (Sugatsune™ damper), optional: Thermosetting with soft closing p. 62
OUTLET PUMP | MAC 11 12/24 v
INLET DEVICE | Solenoid, optional: inlet pump
CONTROL PANEL | Multiframe, optional: All-in-one / Argent / Touch / Premium / Premium Touch p. 64 - 67
BIDET | Flexi line bidets p. 44, optional: integrated bidet function p. 63
FEATURE | Italian ceramic, small seat size, silent flush, low consumption
RELATED | Accessories p. 68 Washbasins p. 70 - 71



PRESTIGE

Classic comfort and feel of home
Comodità tradizionale, come a casa



Italian ceramic
Ceramica Italiana



Integrated push button
Pulsante integrato



TECMA flexi line 50/100 ft

Prestige

The Prestige model is designed to replicate the classic comfort and feel of traditional residential toilets. It is offered in two different sizes and designs: Prestige 45 more rounded and Prestige 50 that is squared.

The flushing cycle is activated by a waterproof push button that is integrated in the ceramic body of the toilet.

Also on board of: River boat, Canal boat, House boat.

Prestige

I modelli prestige sono classici e disegnati con linee tradizionali che richiamano ad ambienti domestici classici.

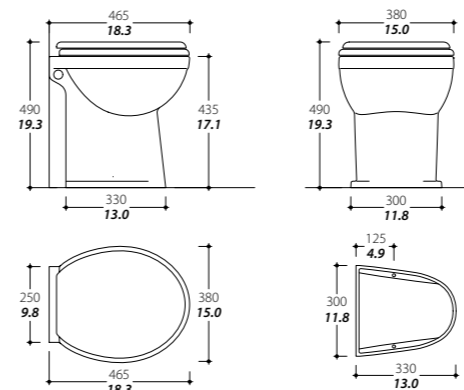
Sono disponibili due versioni, una più arrotondata, Prestige 45, e l'altra più squadrata, Prestige 50. La particolarità di questa serie è che le toilette hanno il pulsante integrato nel corpo della ceramica.

Anche a bordo di: River boat, Canal boat, House boat.

Prestige 45 toilet



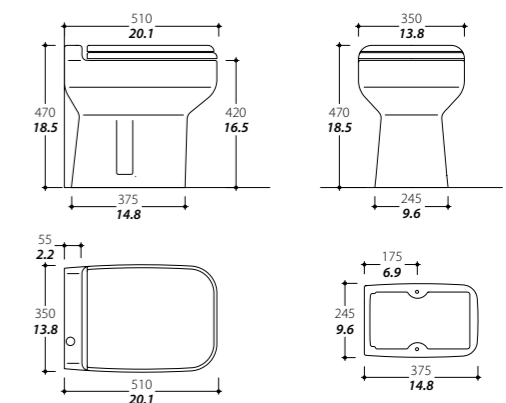
WEIGHT	22.5 kg / 49.6 lb
WATER USAGE	0.5 - 2.7 L / 0.1 - 0.7 gal per flush
COLOR	White
SEAT AND COVER	Polyester p. 62
OUTLET PUMP	MAC 11 12/24v, optional: MAC 11 230 v p. 20
INLET DEVICE	Solenoid, optional: inlet pump
CONTROL PANEL	Integrated push button, full flush cycle
BIDET	Flexi line bidets p. 44
FEATURE	Italian ceramic, home like, silent flush, low consumption
RELATED	Accessories p. 68 Washbasins p. 70 - 71



Prestige 50 toilet



WEIGHT	26.8 kg / 59.1 lb
WATER USAGE	0.5 - 2.7 L / 0.1 - 0.7 gal per flush
COLOR	White
SEAT AND COVER	Polyester p. 62
OUTLET PUMP	MAC 11 12/24v, optional: MAC 11 230 v p. 20
INLET DEVICE	Solenoid, optional: inlet pump
CONTROL PANEL	Integrated push button, full flush cycle
BIDET	Flexi line bidets p. 44
FEATURE	Italian ceramic, home like, silent flush, low consumption
RELATED	Accessories p. 68 Washbasins p. 70 - 71



FLEXI LINE BIDETS

Appearance, comfort and convenience
Stile, comodità e convenienza

Bidet

The Flexi line Bidet design has taken all traditional bidet features required into consideration: appearance, comfort, convenience, sturdiness and always leaving maximum freedom for coordinating accessories.

All quality standards applicable to Tecma toilets apply to the production of Tecma bidets.

Also Tecma manufactures three models of separate bidets designed to match a Tecma toilet and be a compliment to any marine bathroom.

- The Bidet Standard has been designed to a standard size for all bathrooms offering sufficient space.
- The Bidet Mini has been designed with a slightly reduced width to fit in bathrooms with less space.
- The Bidet Short has been designed to be installed with short toilets, such as those on a step, for a convenient user position.

Also on board of: Ferretti Group, Azimut-Benetti, Sanlorenzo, Sunseeker. Montecarlo Yachts.

Bidet

Nella progettazione dei bidet sono state prese in considerazione tutte le caratteristiche dei bidet tradizionali: aspetto, comodità, praticità, robustezza e massima libertà di scelta per l'abbinamento di accessori coordinati. Tutti gli standard di qualità utilizzati per le toilette Tecma sono utilizzati anche nella produzione dei bidet Tecma.

Tecma produce tre modelli di bidet progettati per abbinarsi alle proprie toilette del gruppo FLEXI e completare qualsiasi bagno nautico.

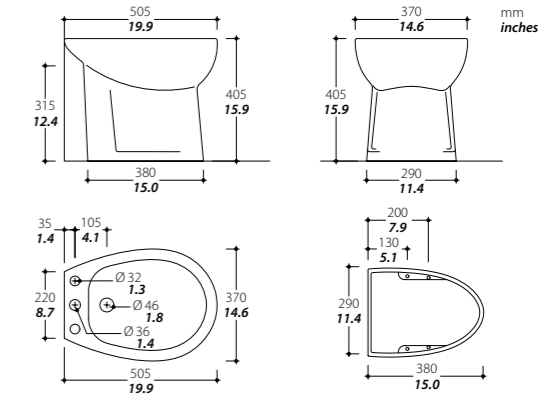
- Il Bidet Standard è stato progettato in dimensioni standard per tutti i bagni con spazio sufficiente a disposizione.
- Il bidet Mini presenta una larghezza leggermente inferiore per l'installazione in bagni più piccoli.
- Il bidet Short è stato progettato per l'installazione in abbinamento a toilette Short, posizionate su un gradino, per offrire la massima comodità.

Anche a bordo di: Ferretti Group, Azimut-Benetti, Sanlorenzo, Sunseeker. Montecarlo Yachts.

Bidet Standard



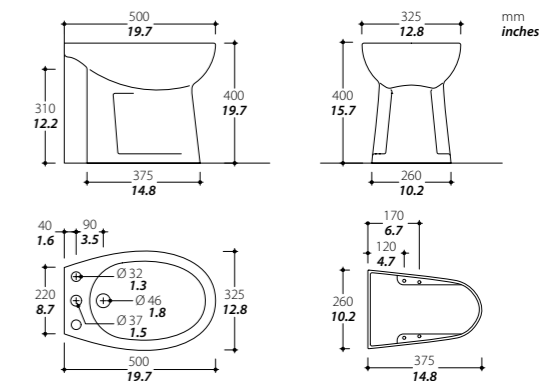
WEIGHT | 16.3 kg / 35.9 lb
COLOR | White, optional: bone / black
FEATURE | Fits perfect with the flexi line toilets



Bidet Mini



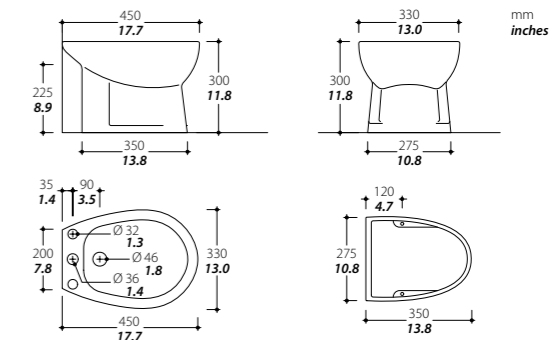
WEIGHT | 18.5 kg / 40.8 lb
COLOR | White, optional: bone / black
FEATURE | Fits perfect with the flexi line toilets



Bidet Short



WEIGHT | 12.3 kg / 27.1 lb
COLOR | White, optional: bone / black
FEATURE | Fits perfect with the flexi line toilets





compact line



Nano

Compass short

Easy Fit

Easy Fit short

NANO



Small in size, great in performance
Piccola taglia, grande prestazione



Italian ceramic
Ceramica Italiana



Small footprint
Impronta di piccole dimensioni



Eco / Premium Plus



Only 295 mm / **11.6 inches**
Solo 295 mm / **11.6 pollici**



Nano

The Nano design combines a beautiful comfortable design with the smallest height in the market by still offering a reliable macerator toilet high performance. Especially designed to satisfy new shipyard stringent requirements, it's a innovative solution which Thetford Marine has created by embedding all technology in such a small space as 295 mm / **11.6 inches**. Silent as all Tecma toilets and particularly light due to his size, the Nano uses the consolidated ECO smart flush allowing to consume less water and power.

Extra low profile marine toilet:

- Quiet and fast flush cycle.
- Self contained and easy to install.
- No need of replacing seals or gaskets.
- Low water and electricity consumption.
- Super powerful macerator turbine technology.

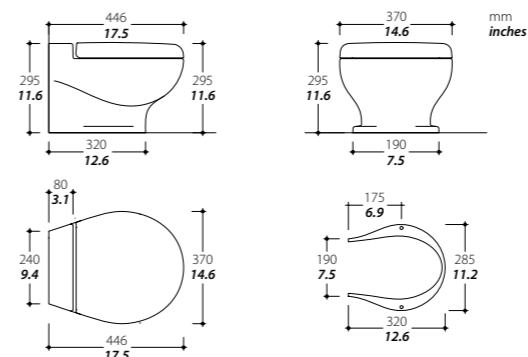
Also on board of: *Chaparral Boats and Monterey.*

Award: *Dame 2014/ nominated*

Nano toilet



WEIGHT	17.6 kg / 38.8 lb
WATER USAGE	0.5 - 2 L / 0.1 - 0.5 gal per flush
COLOR	White
SEAT AND COVER	Thermosetting p. 62
OUTLET PUMP	MAC 4 12/24 v p. 21
INLET DEVICE	Solenoid, optional: inlet pump
CONTROL PANEL	Eco rocker switch, optional: Premium Plus p. 64 - 67
BIDET	No bidet
FEATURE	Small footprint, Italian ceramic, silent flush, Low consumption, only 295 mm / 11.6 inches



Nano

Il design del NANO combina il comfort di una comoda seduta con le più piccole dimensioni in altezza disponibili sul mercato senza rinunciare all'affidabilità ed alle prestazioni della toilette con maceratore integrato. Nata per soddisfare i nuovi stringenti requisiti dei cantieri navali, la toilette NANO è la soluzione innovativa creata da Thetford Marine che è riuscita a trasferire tutta la tecnologia in uno spazio così piccolo di 295 mm / **11.6 pollici**. Silenzioso come tutte le toilette Tecma e particolarmente leggero a causa delle sue dimensioni, la toilette NANO offre un basso consumo sia di acqua che di energia grazie a configurazione ECO.

La più piccola Toilette nautica:

- Ciclo di scarico veloce e silenzioso.
- Compatto e facile da installare.
- Non richiede sostituzione di guarnizioni e tenute meccaniche.
- Basso consumo di acqua e di corrente.
- Potente pompa maceratrice.

Anche a bordo di: *Chaparral Boats, Monterey.*

Premio: *Dame 2014 / nominated.*

COMPASS

Maximum flexibility to fit everywhere
Massima adattabilità per ogni spazio



Italian ceramic
Ceramica Italiana



Small footprint
Impronta di piccole dimensioni



Eco / Premium Plus



Soft closing
Chiusura frizionata



TECMA compact line 20/50 ft

Compass

This new product is born from the cooperation between Tecma and **Tony Castro Yacht Design**. A design team with engineers and designers from both companies has been created with the purpose of developing an efficient, compact and versatile toilet: a "solution" for boats ranging from 30'-50' in length. The Compass is the result of this research process. After a deep analysis of many different yachts, waterlines and interior layouts, the best shell geometry has been designed to have the highest level of versatility and to fit everywhere. This model is available as short height version for installations where mounted on top of a raised step. The special geometry of the back-side allows an easy installation against both straight and angled walls. The performance of the macerator pump meets all quality standards, while the technology inside the toilet has been further developed to keep the sound emission to the lowest level possible, while limiting the water and electrical consumption to minimal levels. The installation, plumbing and wiring is easy and fast, with virtually no maintenance. The toilet can be operated in combination with two different control panels: Eco and Premium Plus.

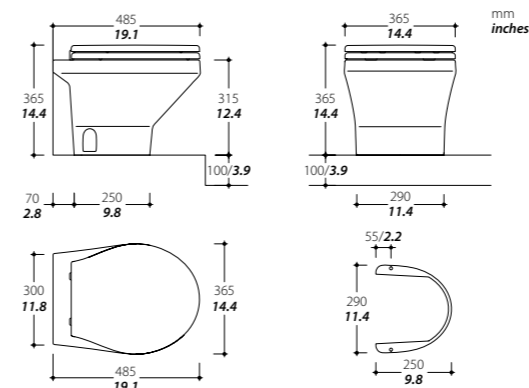
Compass

Questo nuovo prodotto è nato dalla collaborazione tra Tecma e **Tony Castro Yacht Design**. Un team di progettisti ed esperti provenienti da entrambe le aziende ha lavorato con l'obiettivo di studiare una soluzione per barche tra 30 e 50 piedi. Il Compass è il risultato di questo processo di ricerca. Dopo un'analisi accurata di molti modelli in termini di linee d'acqua ed arredi interni, è stata modellata una soluzione geometrica dall'altissimo livello di versatilità. È disponibile solo nella versione bassa per installazioni su gradini di rialzo. La forma speciale consente l'adattamento ad ogni forma dello scafo. Il Compass è equipaggiato con una pompa maceratrice di qualità al di sopra di ogni standard. La tecnologia è stata ulteriormente sviluppata per limitare al massimo i consumi di acqua, corrente e le emissioni acustiche. L'installazione, il cablaggio e le connessioni sono veloci, semplici ed intuitive e non è richiesta manutenzione. La toilette può essere comandata con due diversi pannelli di controllo: Eco e Premium Plus.

Compass Short toilet



WEIGHT	19.5 kg / 43.0 lb
WATER USAGE	0.5 - 2 L / 0.1 - 0.5 gal per flush
COLOR	White
SEAT AND COVER	Thermosetting Soft Closing p. 62
OUTLET PUMP	MAC 4 12/24 v p. 21
INLET DEVICE	Solenoid, optional: inlet pump
CONTROL PANEL	Eco rocker switch, optional: Premium Plus p. 64 - 67
BIDET	No bidet
FEATURE	Small footprint, Italian ceramic, compact versatile, Silent flush, low consumption
RELATED	Accessories p. 68 Washbasins p. 70 - 71



EASY FIT

Small, compact and powerful
Piccolo, compatto e potente



Italian ceramic
Ceramica Italiana



Small footprint
Impronta di piccole dimensioni



Eco / Premium Plus



TECMA compact line 20/50 ft

Easy Fit

The Easy Fit is already found on board of many small yachts and tenders. With a compact design, exquisite Italian ceramic exterior and electric flush, the Easy Fit models are powerful performers. Comfortable ceramic bowls, high output, low water consumption and silent flush are only a few of the many features of this product. This model is available in two different sizes, namely the standard height model and the short height version for installations, where mounted on top of a raised step. The special geometry of the back side allows an easy installation against both straight and angled walls.

The installation, plumbing and wiring is easy and fast, with no maintenance required. The toilet can be operated in combination with two different control panels: Eco and Premium Plus.

Also on board of: Azimut Magellano 42, Swan Yachts (retrofit).

Easy Fit

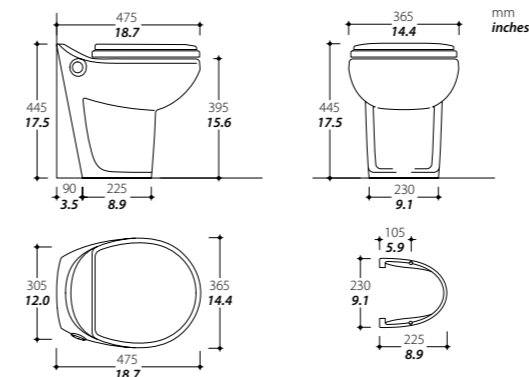
Le toilette Easy Fit possono già essere trovate a bordo di molti yacht e tender. Il disegno è compatto e la meccanica potente ed affidabile. È disponibile in due altezze, la versione standard e quella ridotta per installazioni su gradini di rialzo. Easy Fit è equipaggiato con una pompa maceratrice di qualità ben al di sopra di ogni standard. La tecnologia è stata ulteriormente sviluppata per limitare al massimo i consumi di acqua, corrente e le emissioni acustiche. L'installazione, il cablaggio e le connessioni sono veloci, semplici ed intuitive e non è richiesta manutenzione. La toilette può essere comandata con tre diversi pannelli di controllo: Eco e Premium Plus.

Anche a bordo di: Azimut Magellano 42, Swan Yachts (retrofit).

Easy Fit toilet



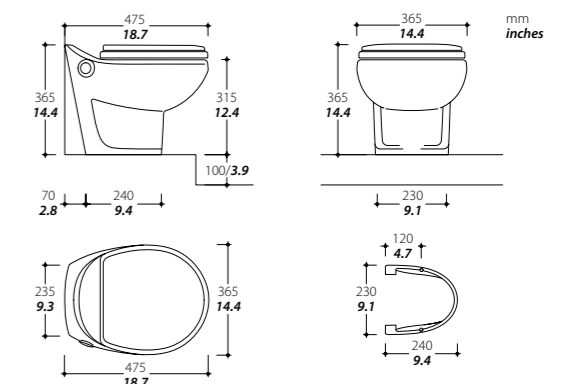
WEIGHT	21.5 kg / 47.4 lb
WATER USAGE	0.5 - 2 L / 0.1 - 0.5 gal per flush
COLOR	White, optional: bone
SEAT AND COVER	Molded wood with multicoat enamel finish p. 62
OUTLET PUMP	MAC 4 12/24v p. 21
INLET DEVICE	Solenoid, optional: inlet pump
CONTROL PANEL	Eco rocker switch, optional: Premium Plus p. 64 - 67
BIDET	No bidet
FEATURE	Small footprint, compact, silent flush, low consumption
RELATED	Accessories p. 68 Washbasins p. 70 - 71

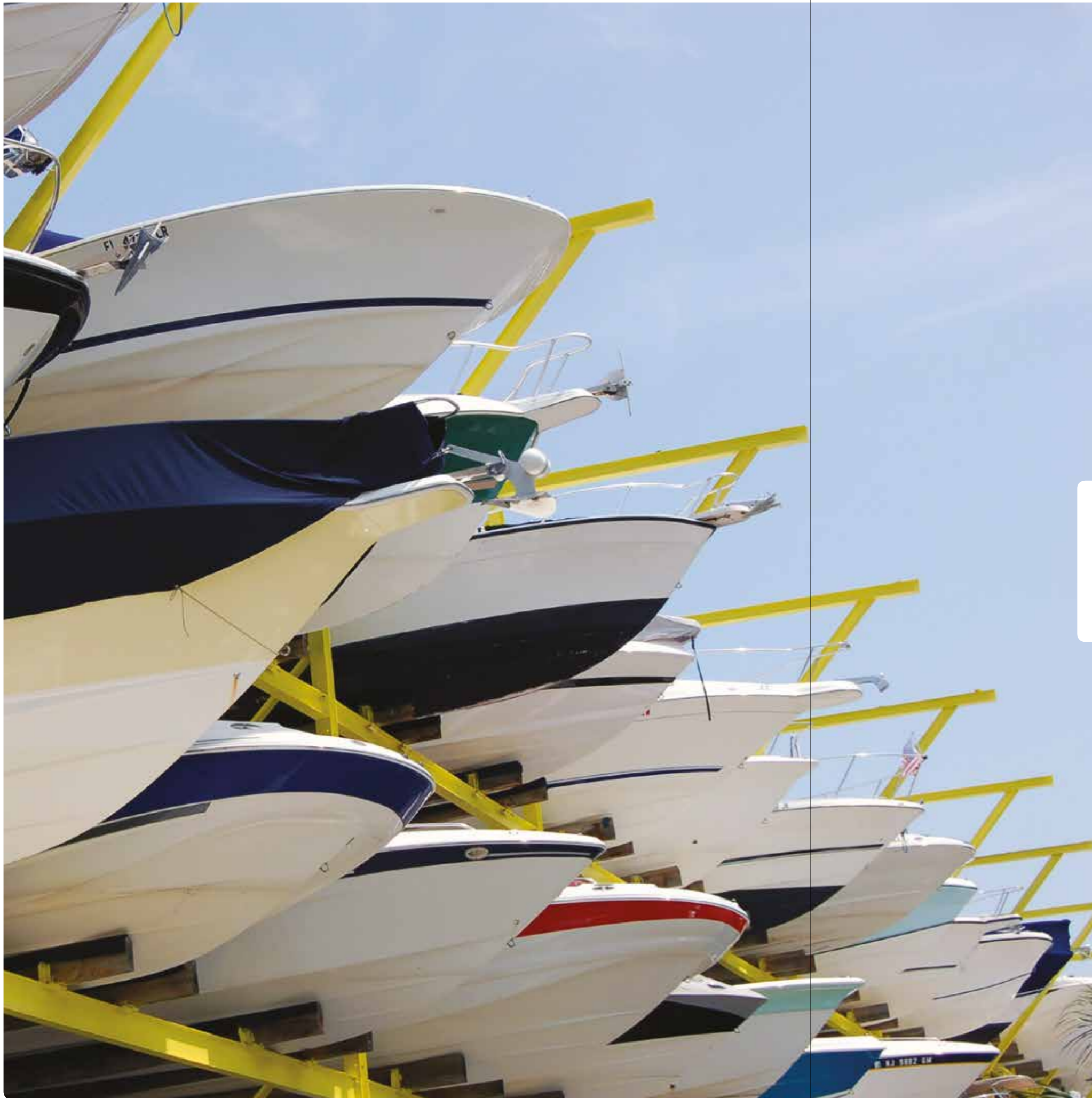


Easy Fit Short toilet



WEIGHT	19.5 kg / 43.0 lb
WATER USAGE	0.5 - 2 L / 0.1 - 0.5 gal per flush
COLOR	White, optional: bone
SEAT AND COVER	Molded wood with multicoat enamel finish p. 62
OUTLET PUMP	MAC 4 12/24v p. 21
INLET DEVICE	Solenoid, optional: inlet pump
CONTROL PANEL	Eco rocker switch, optional: Premium Plus p. 64 - 67
BIDET	No bidet
FEATURE	Small footprint, compact, silent flush, low consumption
RELATED	Accessories p. 68 Washbasins p. 70 - 71





portable line



- Porta Potti Excellence
- Porta Potti Qube 365
- Porta Potti Qube 335
- Care and maintenance



Porta Potti Excellence, Porta Potti Qube 365, Porta Potti Qube 335

The most comfortable, practical and durable portable toilets that don't have to be connected to a drainage or water system. A revolutionary design, optimum quality and functionality are what you can expect. The toilet consists of two sections: the upper section is a combined flush-water tank and toilet bowl with detachable seat and cover. The lower section is the waste-holding tank. The floor fixation system makes this product extremely suitable for marine installations.

Seen on board of: *Uttern D57, Quicksilver 705*



Porta Potti Excellence, Porta Potti Qube 365, Porta Potti Qube 335

Sono le toilette portatili più valide ed affidabili e non necessitano di essere connesse ad un impianto. Il design rivoluzionario, la qualità dei componenti e la funzionalità sono estremi. La toilette è formata da due sezioni, la superiore con l'acqua pulita per lo scarico e quella inferiore con il serbatoio di raccolta. I kit di fissaggio a paiolo rendono questo prodotto particolarmente adatto alle imbarcazioni.

Floor fixation Hold Down Kit / Kit di fissaggio (Hold Down Kit)

Porta Potti Excellence



Porta Potti Qube 365 / 335



Porta Potti Excellence awards:



Porta Potti Qube 365



Porta Potti Qube 335



	Porta Potti Excellence	Porta Potti Excellence	Porta Potti 365	Porta Potti 335
h x w x d mm / inches	448 x 388 x 450 17.6 x 13.3 x 17.7	448 x 388 x 450 17.6 x 13.3 x 17.7	414 x 383 x 427 16.3 x 15.1 x 16.8	313 x 342 x 382 12.3 x 13.46 x 15
Seating height mm / inches	443 mm 17.4 inches	443 mm 17.4 inches	408 mm 16 inches	308 mm 12.1 inches
Color	White	White	White optional: ivory	White
Flushing system	Piston	Electric	Piston	Piston
Waste-holding tank level indicator	Yes	Yes	Yes	Yes
Waste-holding tank capacity	21 L / 5.5 gal	21 L / 5.5 gal	21 L / 5.5 gal	10 L / 2.6 gal
Flush-water tank level indicator	Yes	Yes	No	No
Flush-water tank capacity	15 L / 4.0 gal	15 L / 4.0 gal	15 L / 4.0 gal	10 L / 2.6 gal
Weight kg / lb	5.3 kg 11.7 lb	5.5 kg 12.1 lb	4.0 kg 8.8 lb	3.3 kg 7.3 lb
Floor fixation	optional: Hold Down Kit	optional: Hold Down Kit	optional: Hold Down Kit	Hold Down Kit included

Our Porta Pottis come with a three-year warranty. Please refer to the comparison table to find out which toilet matches your requirements.

Il nostro porta potti è coperto da 3 anni di garanzia. Verificate dati riportati nella tabella per identificare il modello che più soddisfa le vostre esigenze.

Care and maintenance

Thetford has been developing Toilet Care products, which ensure proper functioning of our mobile toilets for over 50 years. The research departments in the renowned company-owned laboratories and external institutes, constantly develop and test new products.

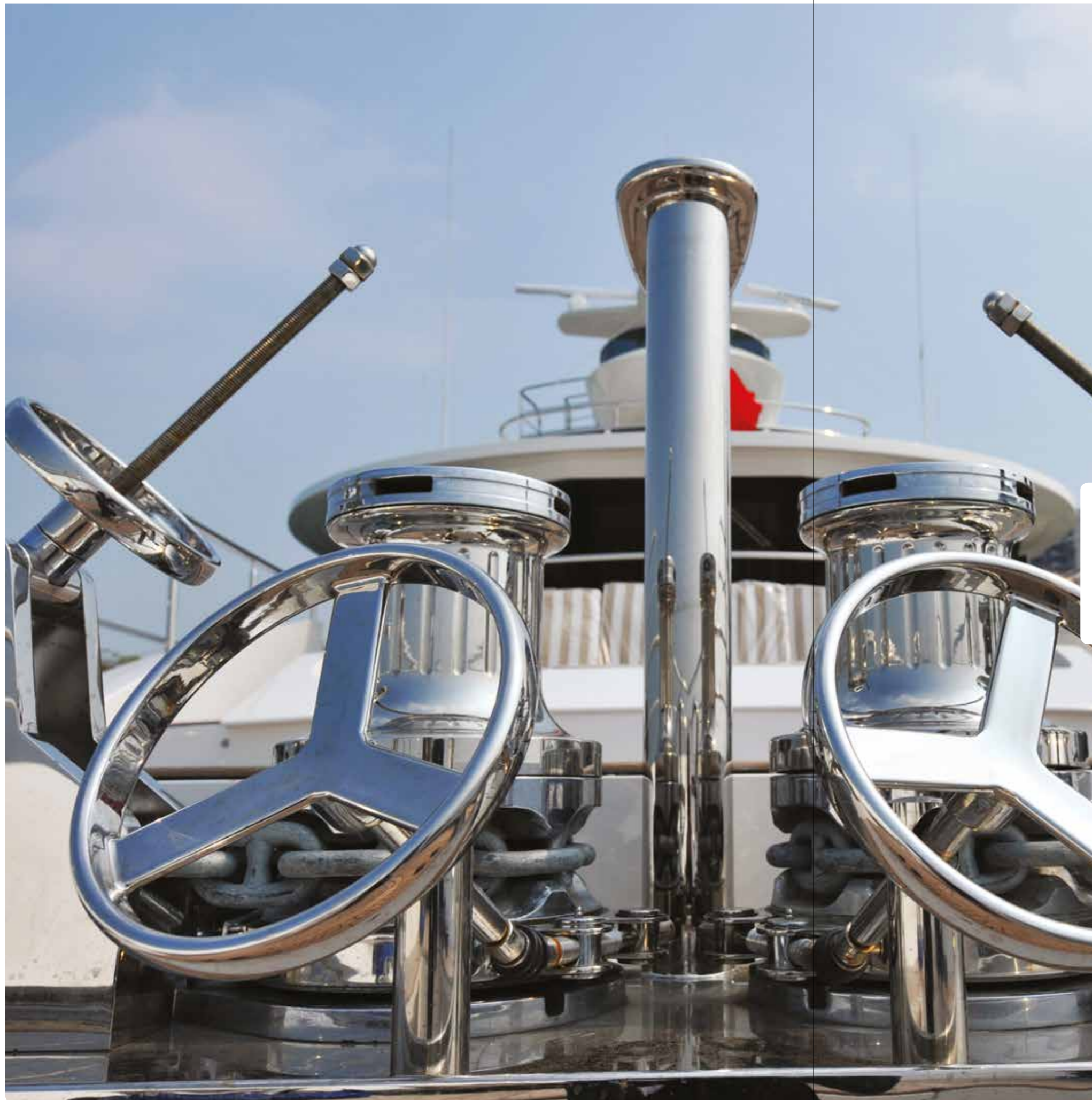
To reduce the risk of damage, premature wear and problems when emptying the waste-holding tank, it is recommended to use Thetford Toilet Care products. The toilet additives prevent unpleasant smells, suppress gas formation and keep the inside of the waste-holding tank clean.

Cura e manutenzione

Thetford è rinomato per il continuo sviluppo di prodotti per la cura e la manutenzione delle toilette portatili. Da 50 anni, il dipartimento di ricerca e sviluppo crea nuovi prodotti all'interno dei propri laboratori.

Per ridurre il rischio di danneggiare o di usura prematura delle superfici delle toilette si raccomanda di usare sempre prodotti Thetford. Gli additivi per le toilette prevengono la formazione di cattivi odori e mantengono il sistema pulito ed efficiente.





components and accessories componenti e accessori

Seat and cover / Sedili

Shower toilet / Toilette con funzione bidet

Control panels / Pannelli di controllo

Accessories / Accessori

Sanisplit NK

Washbasins / Lavabi

SEAT AND COVER

SEDILI

Polyester / Poliestere

- Classic / Classico
- Cover and seat both visible / Coprivaso e seduta visibili
- Robust / Robusto
- Optional: Soft closing damper / Opzionale: Cerniere con sistema frenato



Thermosetting / Termoindurente

- Modern / Moderno
- Hiding the seat / Coprivater nasconde la seduta quando chiuso
- Light / Leggero
- Optional: Soft closing damper / Opzionale: Cerniere con sistema frenato



Seat and cover

Thetford Marine offers a wide range of solutions for most of its toilet portfolio. The design options include either a more classic, wooden polyester or a modern, light-weight thermosetting seat and cover.

Coprivater

Thetford Marine offre un'ampia scelta di soluzioni per la maggior parte dei modelli. Le soluzioni di design includono un più classico coprivaso in legno e poliestere o un più moderno e leggero coprivaso in termoindurente.

Soft closing system / Sistema soft closing



Soft closing technology (Sugatsune™ damper technology)

Both solutions can be featured with a multiple choice of convenient soft-close lids, provided with or without a damper system to reduce the closing speed and avoid both damages and noise, which possibly disturbs other guests sleep and comfort. A gentle finger touch to the lid activates the soft-close damper mechanism. In addition to user convenience, a slow-closing lid keeps noise to a minimum and prevents potential damage to the toilet seat. The soft-close damper mechanism is a design original to Tecma. It uses high-quality components such as the top of the market Sugatsune™ damper technology, polished stainless steel 316L fittings and durable plastic bushings to secure the highest reliability in the market.

Tecnologia chiusura frenata (Sugatsune™ damper technology)

La tecnologia di chiusura frenata è disponibile sia per il coprivaso in poliestere che per quello in termoindurente. Il sistema di chiusura frenata è studiato per evitare danneggiamenti della seduta così come per ridurre il rumore di chiusura che potrebbe disturbare gli ospiti. Basta un leggero tocco per attivare il meccanismo di chiusura frenata. Questo è un sistema ideato e progettato da Tecma che utilizza componenti di alta qualità, come la tecnologia Sugatsune, fornita con il coprivaso in poliestere, che utilizza cerniere in acciaio inossidabile 316L ed inserti in plastica ad alta resistenza per assicurare la massima affidabilità sul mercato.

SHOWER TOILET

TOILETTE CON FUNZIONE BIDET

Integrated bidet function

The Thetford Marine Shower Toilet is the perfect combination of a marine toilet and a bidet function. This integrated bidet function has been introduced by Tecma to offer the possibility of having one single unit that combines toilet and a bidet together.

A strategically positioned swivel spray nozzle and easily accessible, temperature regulated mono-water tap at the right hand side of the unit gives the user a complete feeling of well-being and hygiene.

Funzione bidet integrata

La toilette con funzione bidet integrata è la combinazione perfetta tra una toilette ed un bidet. La funzione bidet integrata è stata sviluppata da Tecma per offrire la possibilità di avere in un unico articolo sia le funzioni di una toilette che quelle di un bidet.

Uno spray nozzle strategicamente posizionato e di facile accesso, temperatura dell'acqua regolabile a mezzo miscelatore con maniglia posta sul lato destro della ceramica offre all'utilizzatore una sensazione di benessere e di igiene.



Standard (Classic / Classico)



F2 (Modern / Moderno)



Joy (User Friendly / Facile da usare)



Sprint (Smaller / Piccolissimo)



CONTROL PANELS FOR EVERY BATHROOM

PANELLI DI CONTROLLO PER OGNI STANZA DA BAGNO

You are in control, to perfect match the control panel with the bathroom style.

Controlla il tuo stile per far sposare al meglio il pannello di controllo con lo stile del tuo bagno.

Design line  > 100 ft & Flexi line  50/100 ft

All control panels have a tank monitoring led and water amount trim. All control panels are available in two versions:

Tutti i pannelli di controllo sono dotati di indicatore troppo pieno per il controllo della cassa delle acque nere. Tutti i pannelli di controllo sono disponibili in due versioni:

1 button / After use:

- The mooring mode.
- After every flush the toilet bowl is automatically refilled with a certain quantity of water, ready for next use.
- Tank level monitoring led and water amount trim.
- Modalità ormeggio.
- Dopo ogni scarico la toilette è automaticamente riempita con una determinata quantità d'acqua e pronta per il prossimo utilizzo.
- Led di monitoraggio cassa acque nere e regolatore quantità d'acqua in immissione.

2 buttons / Before and After use:

- Both the mooring and the sailing mode.
- After every flush the toilet bowl remains empty for navigation.
- Before use by pushing the button the toilet bowl automatically refills.
- Modalità ormeggio e navigazione.
- Dopo ogni scarico la toilette rimane vuota e asciutta, ideale per la navigazione.
- Premendo il tasto Before Use la toilette viene riempita con una piccola quantità d'acqua.

Thetford Marine offers a complete portfolio with different series, multiple options and budget implications.

Thetford Marine offre una gamma completa di prodotti con diversi modelli, molteplici opzioni e vari prezzi.

Smart Flush Technology

The Smart Flush technology is one of the latest patented innovations of the Tecma product line. This software interacts with the action and performance of the macerator pump and gives many features. Just a few of them:

- Eliminating air in the pump which prevents noise
- Minimizes water and power consumption
- Electronic water amount setup
- Sailing and mooring modes
- Water overflow protection
- Black water tank monitoring
- Emergency flush
- System lock

The Smart flush technology is available in 2 versions, Premium Touch and Premium.

Tecnologia SMART FLUSH

La tecnologia Smart Flush è una delle ultime innovazioni brevettate della linea di prodotti Tecma. Il Software interagisce con l'azione e la funzionalità della pompa maceratrice Tecma offrendo moltissime funzionalità. Eccone alcune:

- Eliminazione di aria nel maceratore, prevenendo così la rumorosità
- Minimizzazione del consumo di acqua ed energia
- Regolazione quantità d'acqua in immissione
- Modalità ormeggio e navigazione
- Protezione anti fuoriuscita di acqua dalla toilette
- Monitoraggio della cassa delle acque nere
- Scarico di emergenza
- Blocco del sistema di scarico

La tecnologia Smart Flush è disponibile in due versioni, Premium Touch e Premium.

Premium Touch control panel



Ultimate touch control panel made of hi-tech glass and LED back lighting with Smart Flush Technology: mooring and sailing mode, water amount trim, overflow protection and tank monitoring.

Pannello di controllo di ultima generazione Touch. Display realizzato in vetro di alta tecnologia con luce retroilluminata a LED. Pannello dotato di tecnologia Smart Flush brevettata Tecma: modalità funzione navigazione ed ormeggio, regolazione acqua di scarico, protezione fuoriuscita acqua e monitoraggio cassa acque nere.

Premium control panel



Patented silicon pad control panel with Smart Flush Technology: mooring and sailing mode, water amount trim, overflow protection and tank monitoring.

Pannello di controllo in materiale siliconico con tecnologia Smart Flush: modalità funzione navigazione ed ormeggio, regolazione acqua di scarico, protezione fuoriuscita acqua e monitoraggio cassa acque nere.

Touch control panel



Touch control panel made of hi-tech glass and LED backlighting with proximity sensor. Design and high-technology combined with respect for budget.

Pannello in vetro ad alta tecnologia con luce retroilluminata LED attivata con sensore di prossimità. Combinazione di design ed alta tecnologia a costi contenuti.

Argent control panel



The minimalistic high quality metal push button. Minimalistic in design, great in functionality and simplicity.

Design minimalista congiunto ad un materiale metallico di alta qualità. Minimalista, elegante, semplice e funzionale.

Multiframe control panel



The control panel that gives the possibility of mounting any bezel on the market, the chameleon of the control panels.

Pannello di controllo compatibile con ogni cornice disponibile sul mercato. Il camaleonte dei pannelli di controllo.

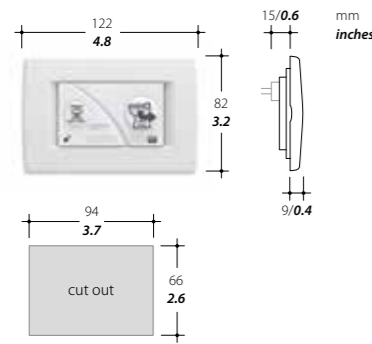
All-in-one control panel



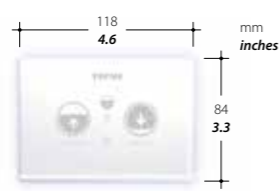
The All-in-one control panel has a controller directly integrated in the wall interface with the option of automatic bowl refill (single button) or the common double function before/after use.

Pannello di controllo "tutto in uno". Pannello e centralina realizzati in un unico pezzo. Disponibile nella versione ad uno e due pulsanti.

Premium control panel:



Premium Touch control panel:

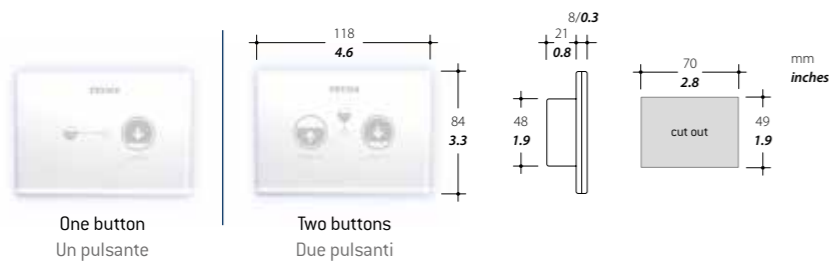


See Touch for technical drawing
Vedi Touch per disegni tecnici



Note: compatible with Tecma pneumatic and Mirus™ field effect sensor or with commercial sensor (technical specifications see page 72 - 81).
Nota: compatibile con i sensori pneumatico e "Mirus™" o con altri sensori disponibili sul mercato (specifiche tecniche a pagina 72 - 81).

Touch control panel:



Wall switch / Pannello

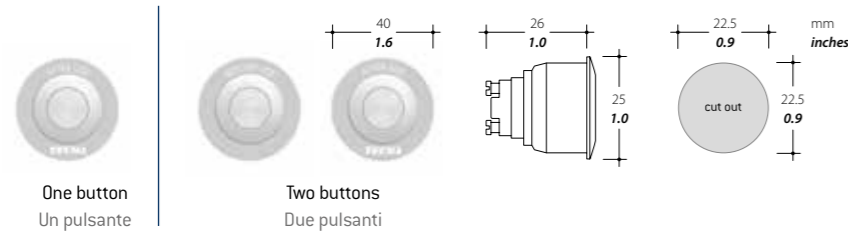


Controller / Centralina

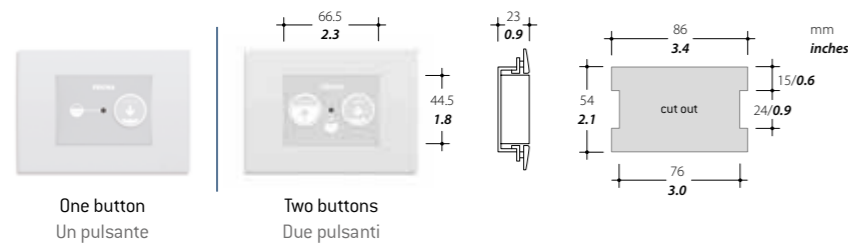


Note: The switch is wall mounted and the controller is remotely installed. Compatible with Tecma pneumatic sensor or other N.A. switch type sensor.
Nota: il pannello è montato a parete mentre la centralina è installata a remoto. Compatibile con il sensore pneumatico Tecma o altri sensori pneumatici disponibili sul mercato.

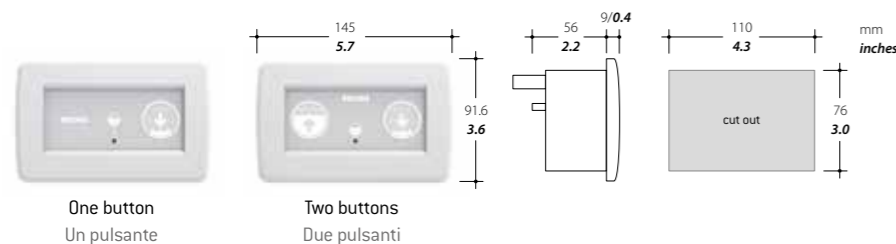
Argent control panel:



Multiframe control panel [Compatible with all commercial bezels: B-Ticino, Vimar, Gewiss, ABB, AVE]:
(Compatibile con tutte le cornici disponibili sul mercato: B-Ticino, Vimar, Gewiss, ABB, AVE):



All-in-one control panel:



Note: Compatible with Tecma pneumatic sensor or other N.A. switch type sensor.
Nota: Compatibile con il sensore pneumatico Tecma o altri sensori pneumatici disponibili sul mercato.

Compact line 

To operate the toilet of the Compact Line, it is possible to select two different control panels: the Eco Rocker Switch and the Premium Plus.
Per gestire le toilette della linea compact, è possibile scegliere tra due tipologie di pannelli: pannello ECO e Premium Plus.

Eco rocker switch



Easy to use, strong and solid rocker switch with manual set up of inlet and outlet water amount with a reduced power and water consumption.
Interruttore ad attivazione manuale facile da usare, robusto e duraturo.
Ridotto consumo di acqua ed energia.

Premium Plus control panel

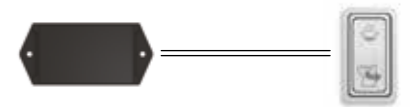
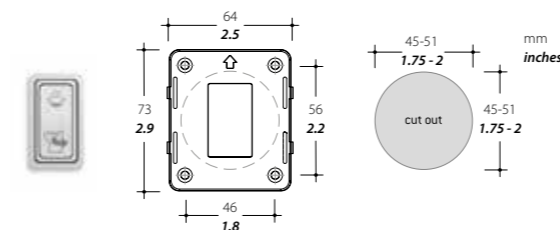


Silicon pad control panel with Tecma patented Smart Flush technology. Water amount trim, overflow protection and tank monitoring. Flushing cycle and fittings specially designed for Compact line. Sailing mode function not available.
Pannello di controllo in materiale silconico con tecnologia Smart Flush. Regolazione acqua di scarico, protezione fuoriuscita acqua e monitoraggio cassa acque nere.
Connettori e ciclo di scarico realizzati specificatamente per la linea Compact.

Compact line 20/50 ft - technical details

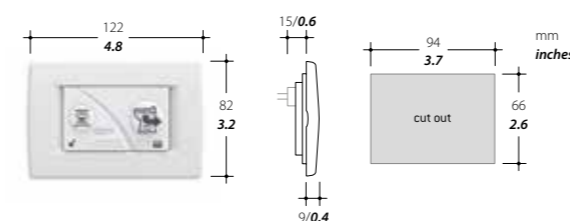
Eco control panel:

Rocker switch with manual set up of inlet and outlet water amount with a reduced power and water consumption.
Interruttore ad attivazione manuale. Semplice e funzionale a ridotto consumo energetico.



Premium Plus control panel:

Especially designed for the Compact Line. Silicon electronic control panel.
Sviluppato specialmente per la linea Compact. Pannello di controllo con interruttore in materiale silconico brevettato.



Note: compatible with Tecma Mirus™ field effect sensor or with commercial sensor.
Nota: compatibile con i sensori pneumatico e "Mirus™" o con altri sensori disponibili sul mercato.

ACCESSORIES

ACCESSORI

Code	Description / Descrizione
 T-PF.P08	INLET VENTILATION VALVE SIPHON BREAK to install on a siphon break (not provided) to prevent raw water back flows with special installation scenarios. To install over the inlet water pipe, pipes of I.D. 3/4" female (20mm) , fitting 3/4" male fitting . VALVOLA VENTILAZIONE CARICO Per creare un siphon break (non in dotazione) in prevenzione di ritorno d'acqua in particolari tipi di installazione. Installare la valvola di ventilazione sul tubo di immissione acqua, tubo I.D. 3/4" femmina (20mm) con connettore 3/4" maschio .
 T-PF.P04	OUTLET VENTILATION VALVE to install on a siphon break (not provided) to avoid risks of siphoning effect on long piping system with no direct gravity. To install over the outlet waste water pipe, pipes of O.D. 1.5" (38,5 mm) , fitting 1.5" female . VALVOLA DI VENTILAZIONE SCARICO per creare un siphon break (non in dotazione) in prevenzione di fenomeni di sifonaggio in impianti particolarmente lunghi. Installare la valvola di ventilazione lungo la tubatura di scarico, tubo O.D. 1.5" (38,5 mm) con connettore 1.5" femmina .
 T-PF.P07	SINGLE PNEUMATIC TANK SENSOR to install on the black water tank to monitor the tank level. Tank level to be seen on the toilet control panel (and connected to centrale console) (and connected to centrale console) SENSORE PNEUMATICO Installare il sensore pneumatico nella cassa acque nere e collegarlo al pannello di controllo (e console centrale) per monitorare il livello delle acque nere.
 T-PF.P81	FULL TANK SENSOR - DESIGN & FLEXI LINE Mirus™ field effect detector cell full tank sensor to monitor full tank level and communicate to the Smart Flush Premium control panel. This version is adapted for design line & flexi line. SENSORE "MIRUS" TROPPO PIENO - DESIGN & FLEXI LINE Il sensore livello troppo pieno "Mirus™" da utilizzare con il pannello di controllo con tecnologia Smart Flush per monitorare il livello delle acque nere. Questa versione è stata adattata per l'uso con le toilette delle linee Design & Flexi.
 T-PF.P82	MID TANK SENSOR - DESIGN & FLEXI LINE Mirus™ field effect detector cell mid tank sensor to monitor mid tank level and communicate to the Smart Flush Premium control panel. This version is adapted for design line & flexi line. SENSORE "MIRUS" MEZZO PIENO - DESIGN & FLEXI LINE Il sensore livello mezzo pieno "Mirus™" da utilizzare con il pannello di controllo con tecnologia Smart Flush per monitorare il livello delle acque nere. Questa versione è stata adattata per l'uso con le toilette delle linee Design & Flexi.
 T-PF.PE18	FULL TANK SENSOR - COMPACT LINE Mirus™ field effect detector cell full tank sensor to monitor full tank level and communicate to the Smart Flush Premium control panel. This version is adapted for compact line. SENSORE "MIRUS" TROPPO PIENO - COMPACT LINE Il sensore livello troppo pieno "Mirus™" da utilizzare con il pannello di controllo con tecnologia Smart Flush per monitorare il livello delle acque nere. Questa versione è stata adattata per l'uso con le toilette della linea Compact.
 T-PF.PE19	MID TANK SENSOR - COMPACT LINE Mirus™ field effect detector cell mid tank sensor to monitor mid tank level and communicate to the Smart Flush Premium control panel. This version is adapted for compact line. SENSORE "MIRUS" MEZZO PIENO - COMPACT LINE Il sensore livello mezzo pieno "Mirus™" da utilizzare con il pannello di controllo con tecnologia Smart Flush per monitorare il livello delle acque nere. Questa versione è stata adattata per l'uso con le toilette della linea Compact.
 T-PF.P36	LEVEL SENSOR 12 V / 24 V Used in combination with SANISPLIT NK to monitor eventual overflow of the system. • To be installed directly on the system hoses. • Decide mounting location accordingly. SENSORE DI LIVELLO 12V / 24V Utilizzato in combinazione con il Sanisplit NK per monitorare eventuale troppo pieno del sistema. • Installare direttamente sulle tubature del sistema • Scegliere il luogo di installazione conseguentemente.

SANISPLIT NK

SANISPLIT NK

Sanisplit NK

The Sanisplit is an automatic pumping unit which transfers water from the bidet to the collection tank irrespective of gradient, so also serves showers and washbasins. The Sanisplit has a powerful and silent centrifugal pump. It is controlled by a pressure switch which starts the pump as soon as the water arrives in the unit's collection tank.

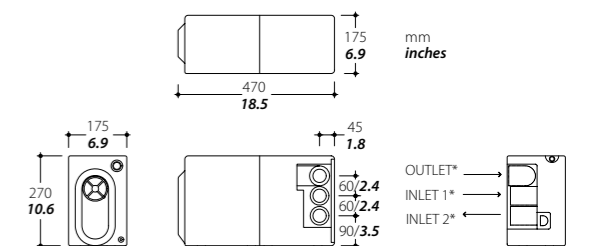
The removable part of the Sanisplit, containing the pump and the pressure switch, can be rapidly disengaged from the fixed part with collection tank which makes maintenance quick and clean. A one-way valve prevents the pumped water from returning to the unit.

Sanisplit NK

Il Sanisplit NK è una pompa per il trasferimento delle acque grigie. Si possono collegare gli scarichi di bidet, doccia e lavabi. Il Sanisplit NK è dotato di una pompa centrifuga silenziosa e potente. E' controllato da un pressostato che attiva la pompa non appena rileva acqua nell'unità.

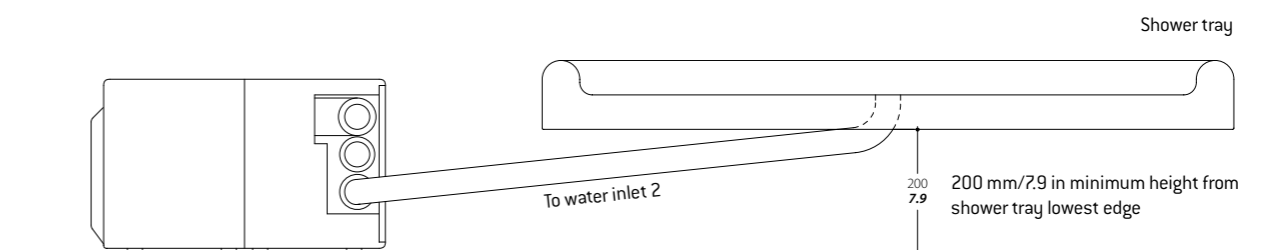
La parte rimovibile del Sanisplit NK contenente la parte elettronica consente il distacco dalla parte idraulica fissa in modo veloce e pulito. Una valvola di non ritorno previene ritorni di acqua sporca nell'unità.

Sanisplit NK				
Power / Alimentazione	12V - 24V - 110V - 230V			
Box material / Materiale della scatola	Plastic			
Color / Colore	White			
Weight / Peso	8.0 Kg / 17.6 lb (fully assembled)			
Outlet pump - macerator turbine				
Fuse / Fusibile	12 V dc	24 V dc	110 V ac	230 V ac
	40 A	30A	8A	5A
Pump performance / Capacità	Max 270 L/min 71.3 gpm - Max vertical head 11mt / 36.1 ft - Max horizontal distance 90 mt / 295.3 ft			
Optional (remarks)				
Features / Benefici	<ul style="list-style-type: none"> Patented SPLIT system: the motor pump can easily be replaced or dismantled without disconnecting the hoses connection. No submergible (IP55). Max grey water temperature 100 °C. 			
Mounting location / Installazione	<ul style="list-style-type: none"> At least 20 cm / 7.9 inches of pressure head is required to activate the pressure switch. Install Sanisplit 20 cm / 7.9 inches below lower edge of shower tray. Consider 1 Sanisplit for max: 1 sink + 1 bidet + 1 shower. 			



* female connections for DN40 pipe

Minimal height requirements



WASHBASINS

LAVABI

Washbasins

Tecma offers a collection of luxury and elegant washbasins, designed by following the latest trends of design. Made out of the highest quality Italian ceramic, these washbasins are produced in different shapes and sizes and are optimized for each yacht's interior volume.

Lavabi

Tecma offre un'ampia collezione di lussuosi ed eleganti lavabi, sia d'appoggio che da incasso, di svariate forme e geometrie. Realizzati in ceramica sono tutti di estrema qualità ed ottimizzati per gli spazi interni delle imbarcazioni.



Conic



Coppa



Curva



Egg



Linea



Drop



Linea R



Oval T



Sail



Quadro



Rondo



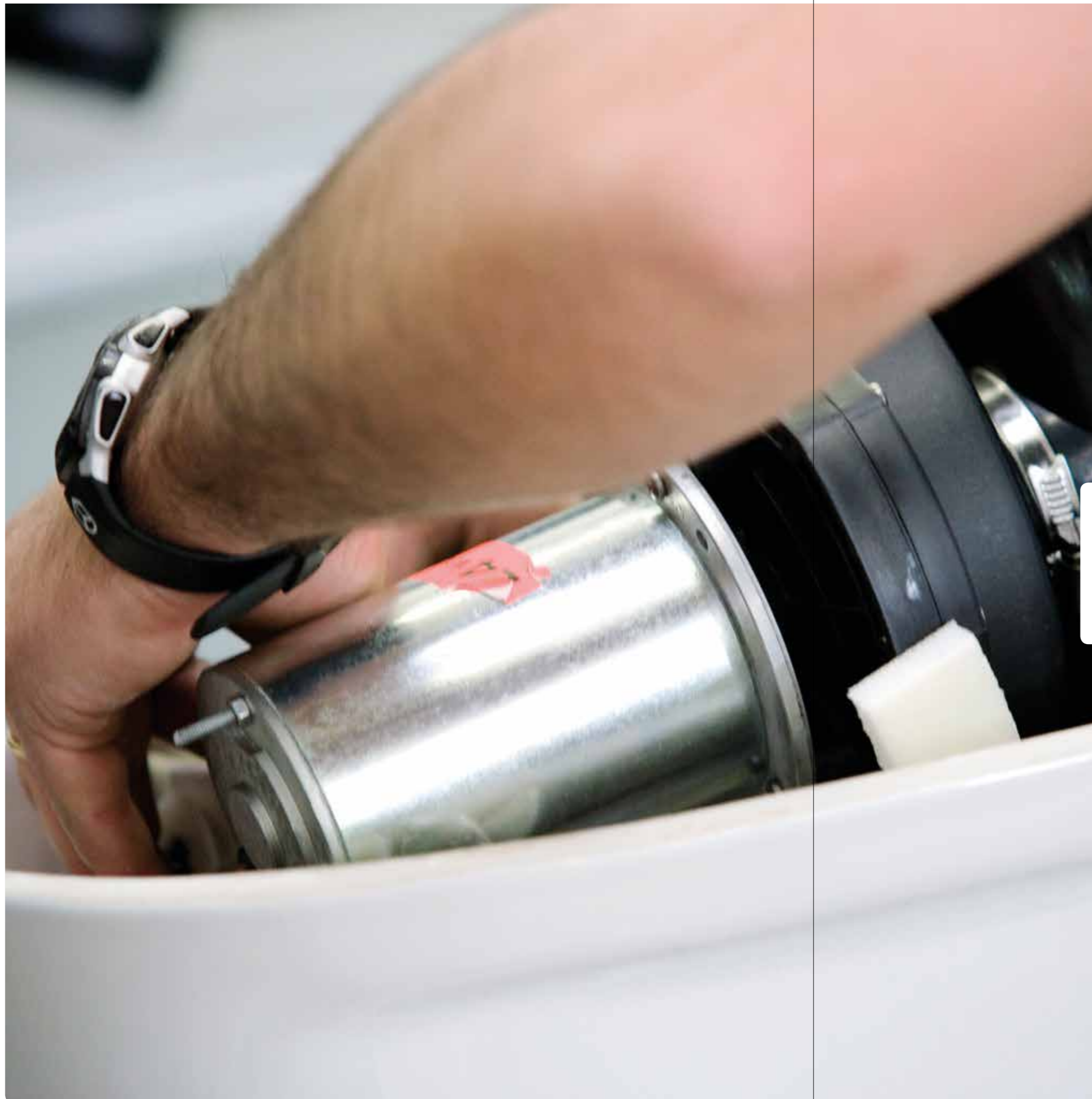
Stream



Surf



Tide



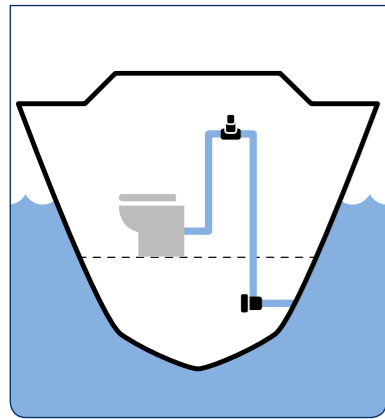
system setup
schemi di installazione

SYSTEM SET UP

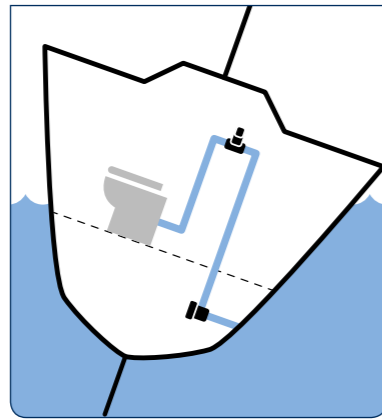
SCHEMI DI INSTALLAZIONE

When is a siphon break needed?

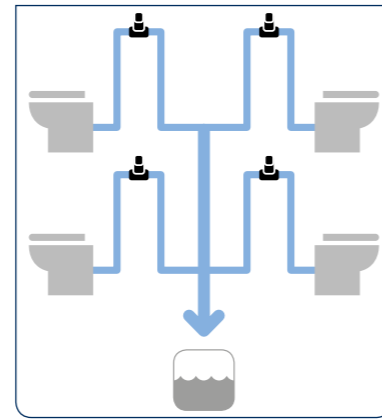
Must have for below water line installation



Must have for sailing boats



Recommended: multiple connections and long runs of collector hose



Is it possible to connect more toilets to the same line?

In this case a "Y" fitting is needed, in spite of "T" ones, to drive the flow to the tank. Always add a siphon break to prevent siphoning.

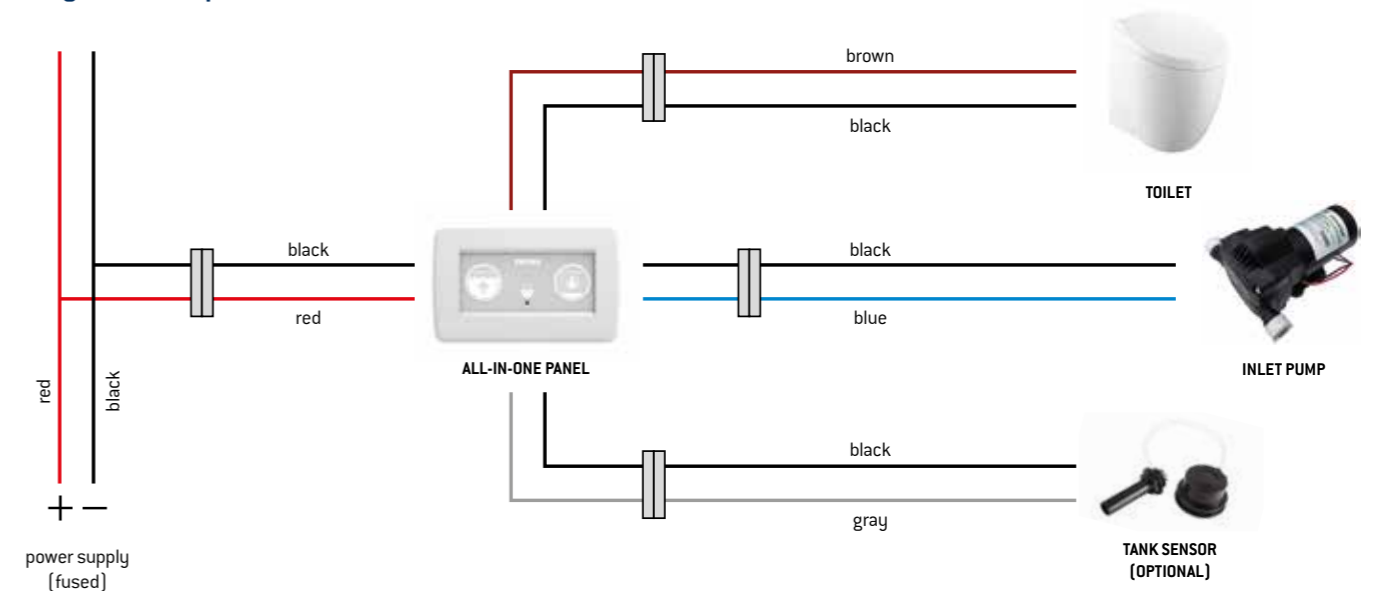
Single system*

The clean water that will flush the toilet is supplied by a dedicated pump that usually is connected either to a fresh water tank or trough-hull. When the control panel is activated the pump will start working to deliver clean water inside the toilet bowl.

Plumbing



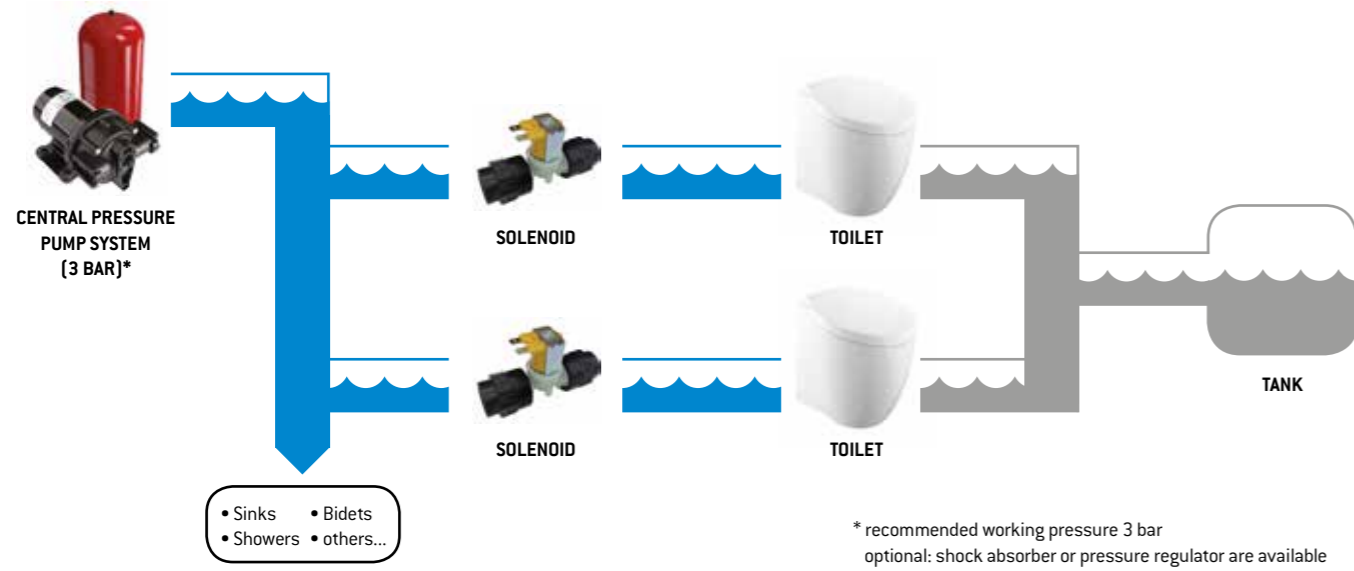
Wiring - All-in-one panel



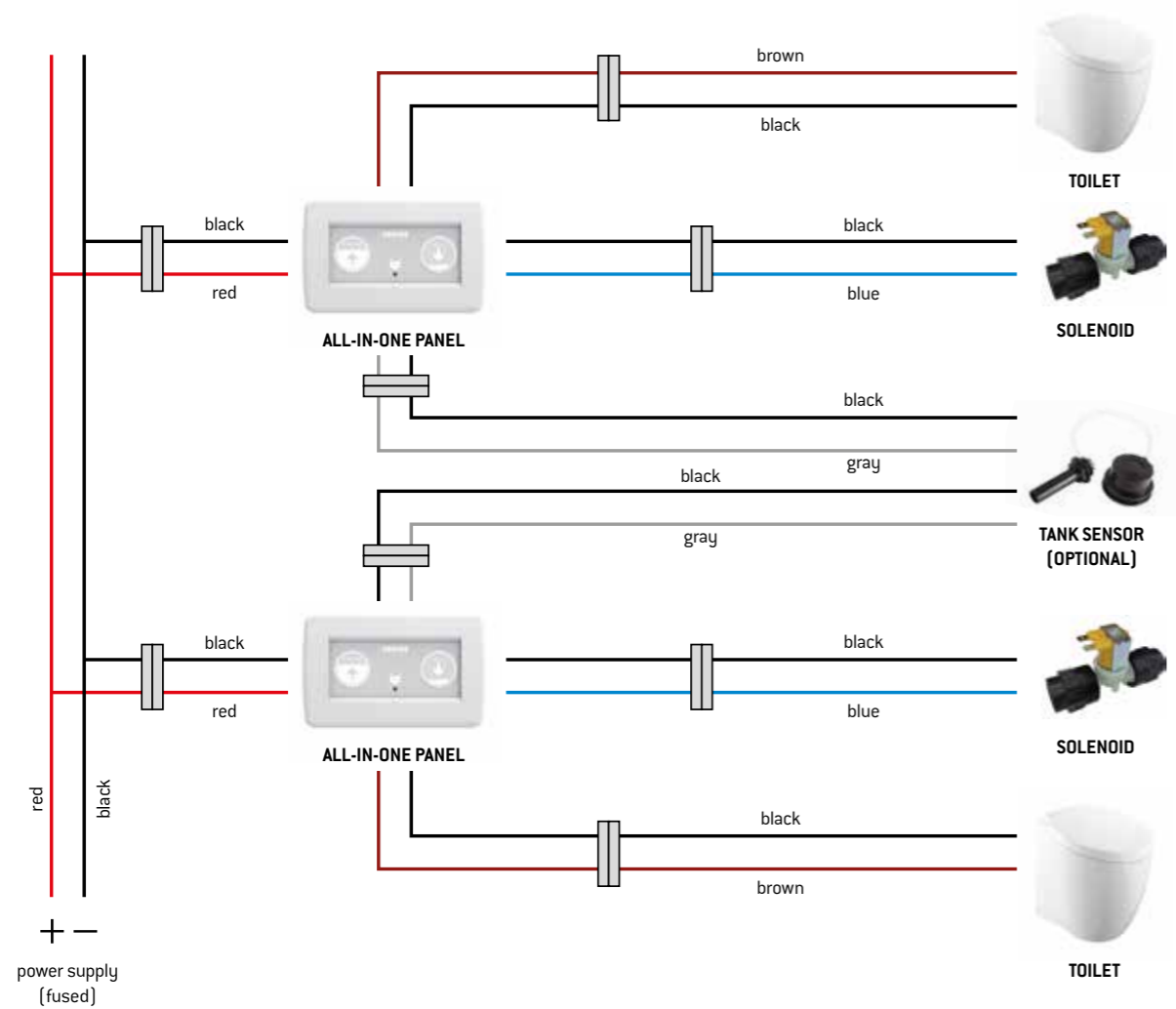
Central system fresh water*

The clean water that will flush the toilet, is supplied by a central pumping device or accumulator, that is connected to a fresh water tank. Each toilet has a dedicated solenoid. When the control panel is activated the solenoid will open the gear to supply clean water inside the bowl.

Fresh water plumbing

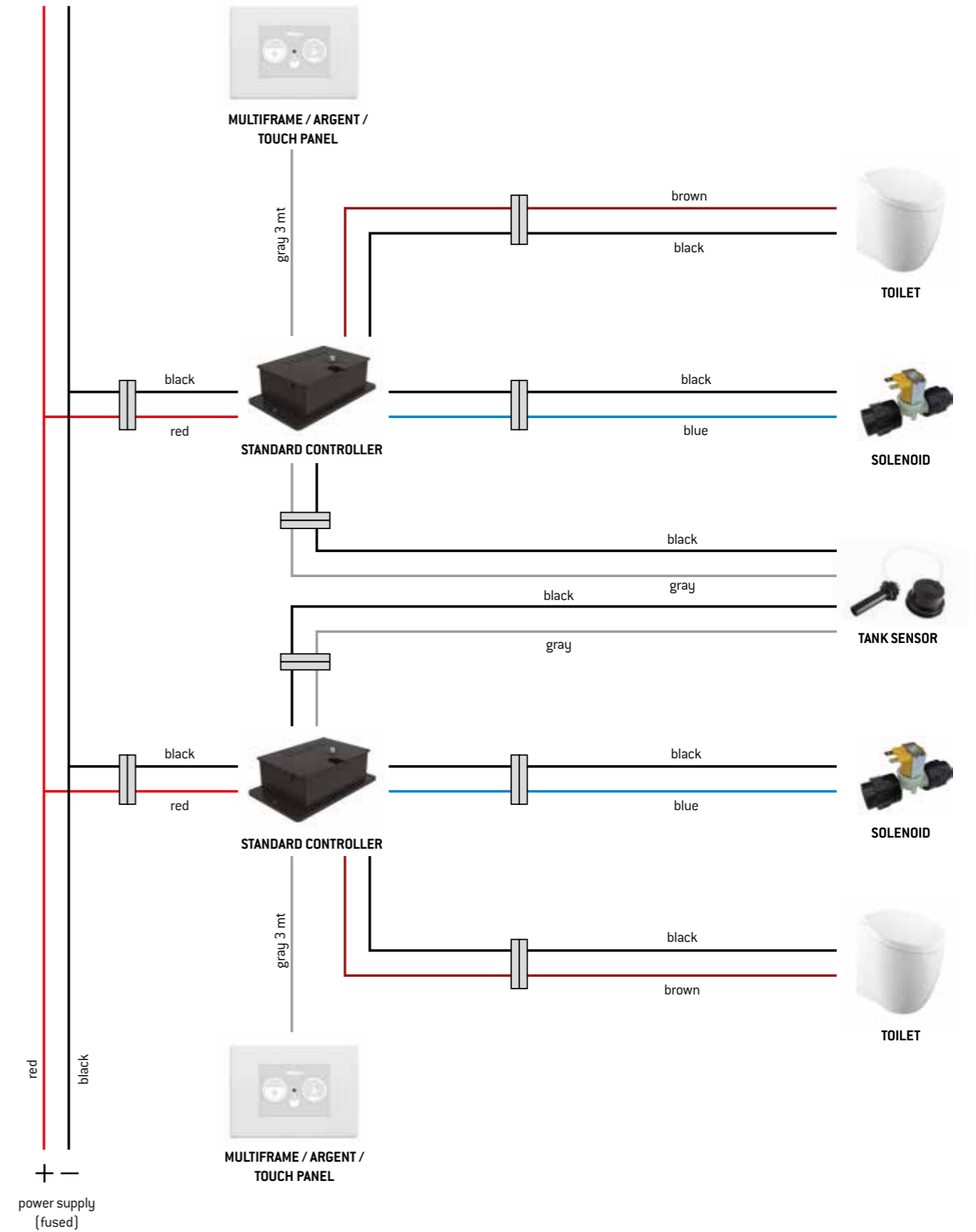


Fresh water wiring - All-in-one panel



Central system fresh water

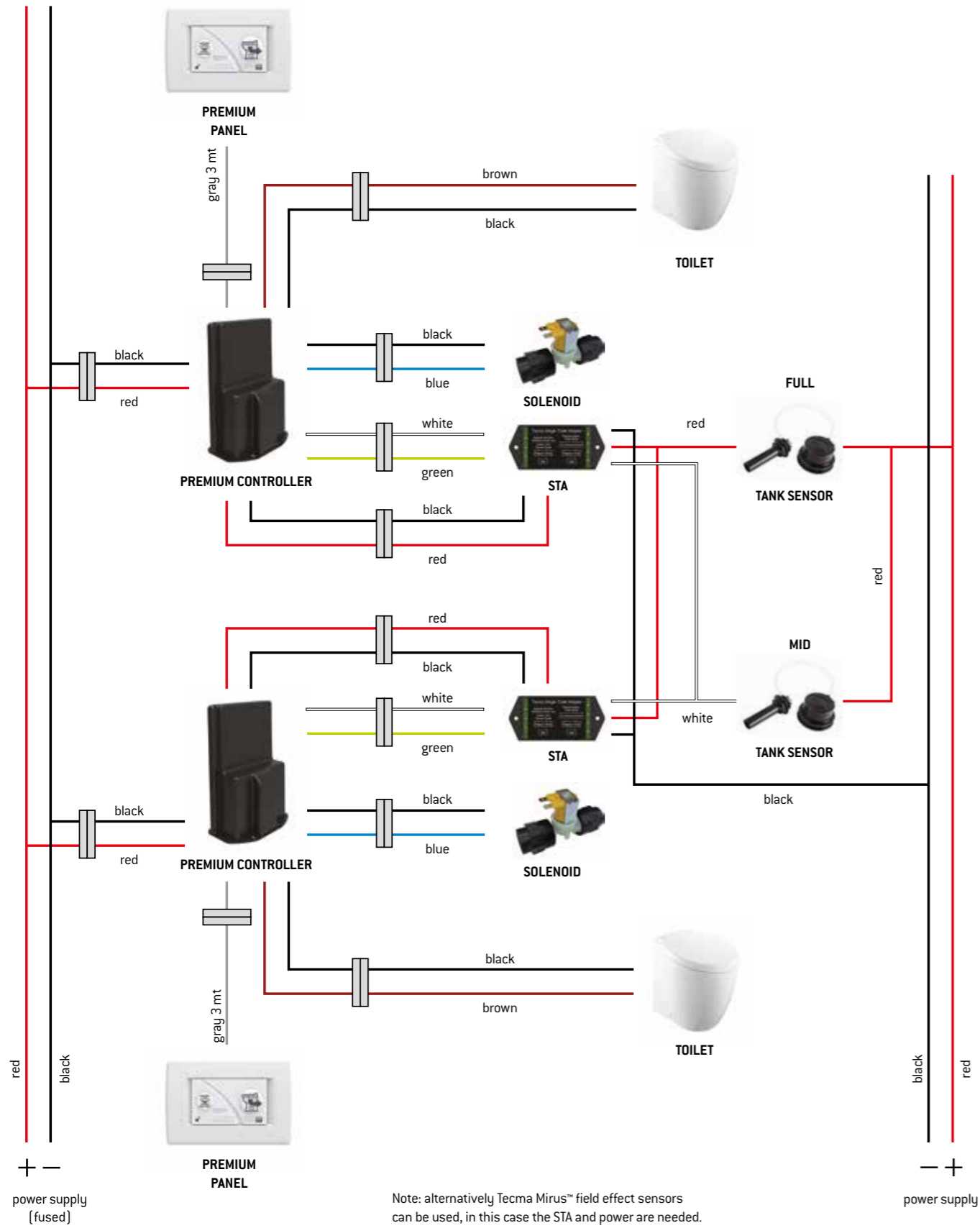
Fresh water wiring - Multiframe / Argent / Touch panel



* Specifications subject to change.

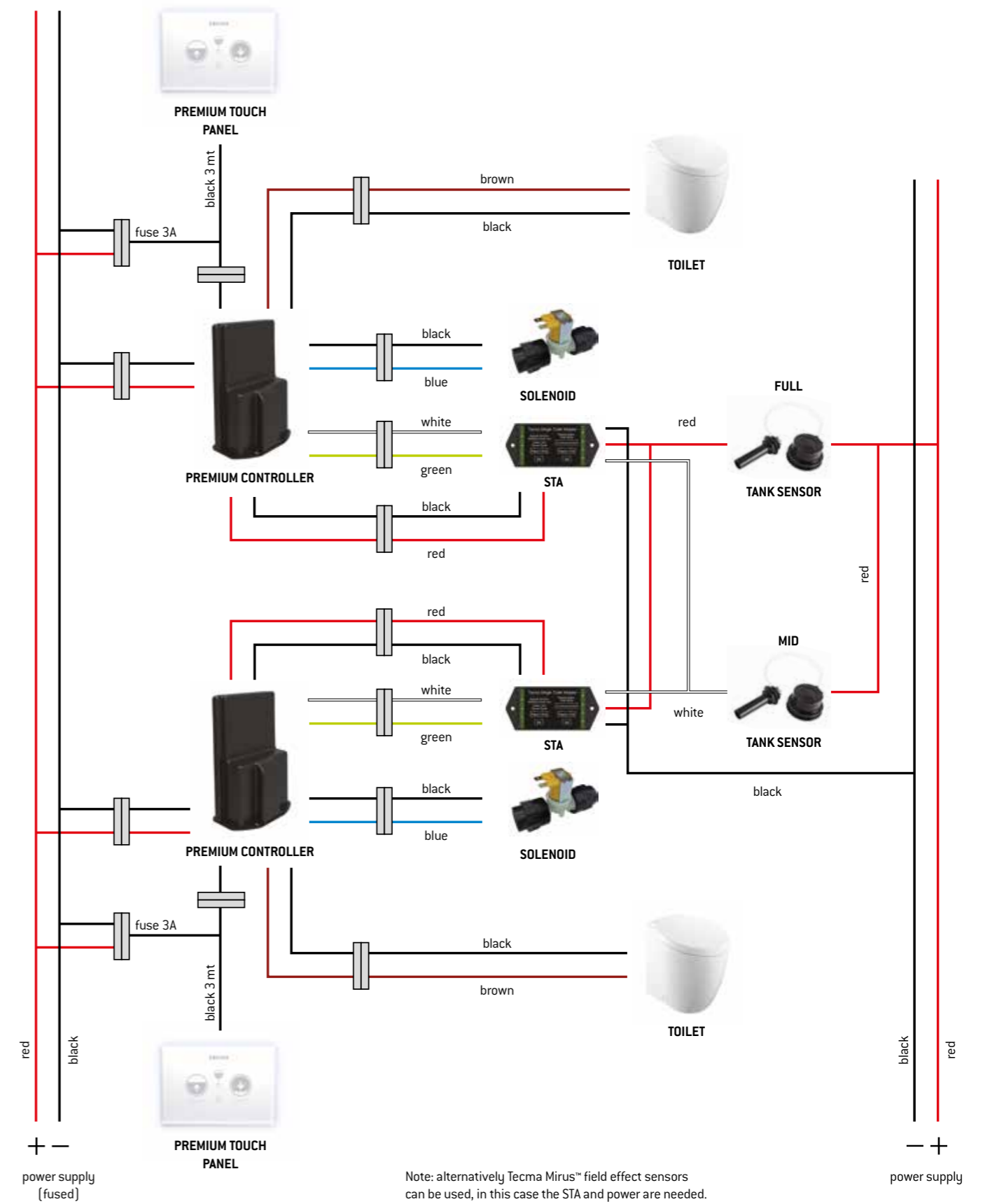
Central system fresh water

Fresh water wiring - Premium panel



Central system fresh water

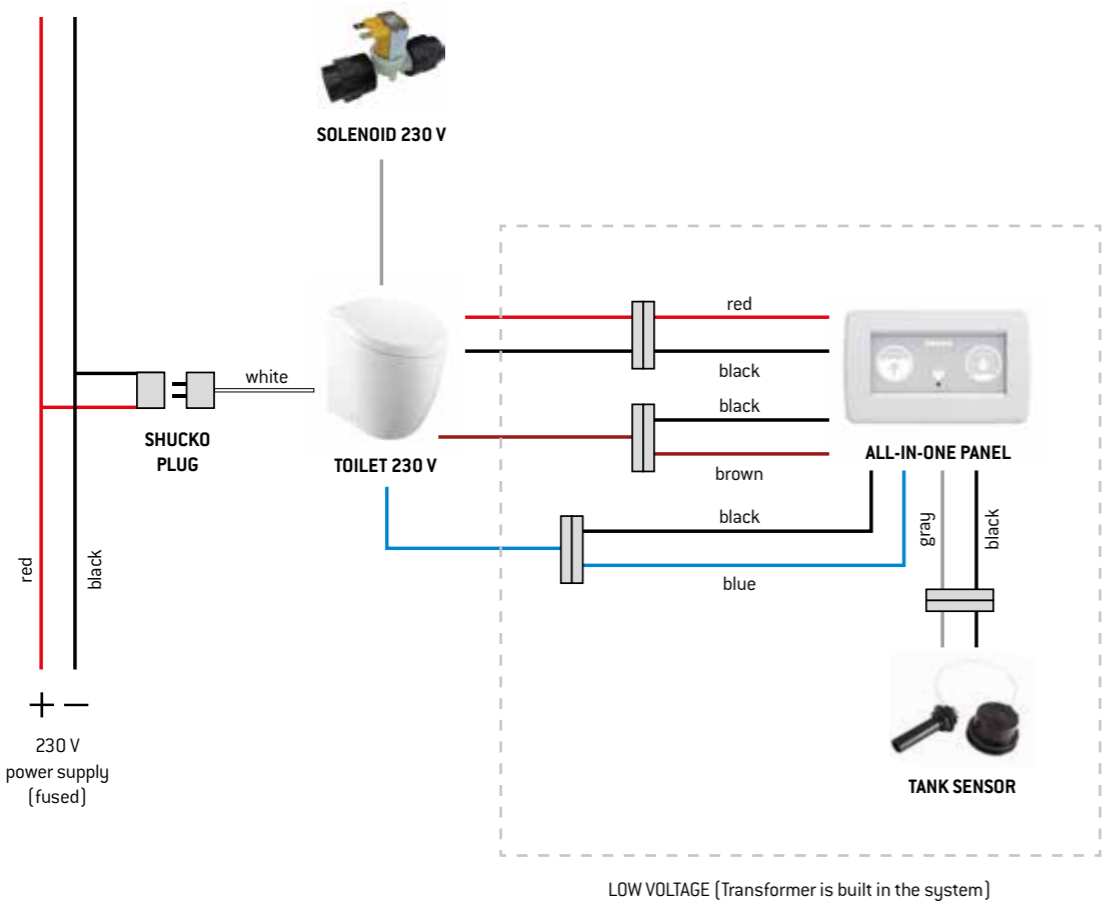
Fresh water wiring - Premium Touch panel



Central system fresh water wiring 110/230 V

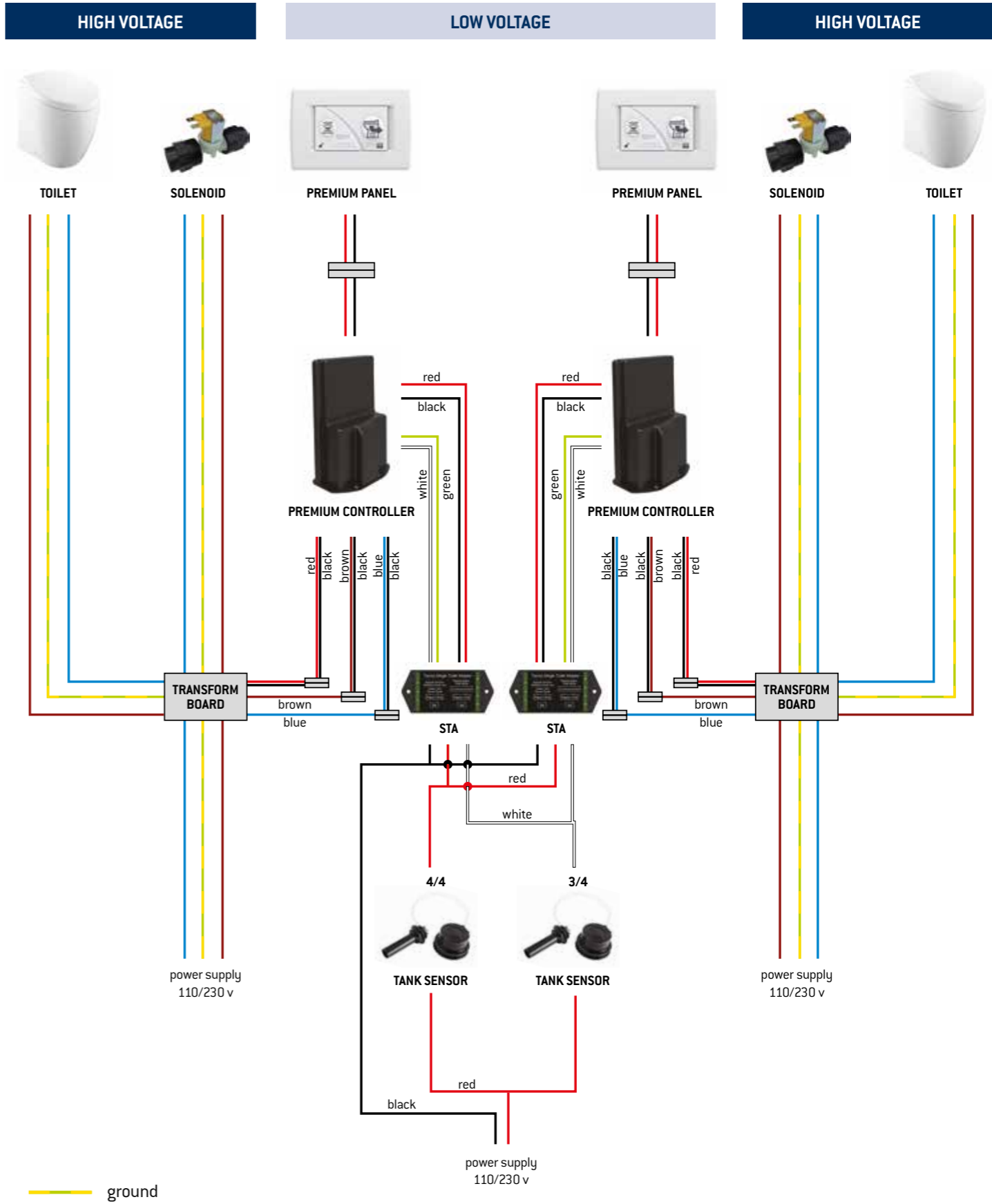
Fresh water wiring - All-in-one panel

For centralized systems or other type of control panels the low voltage connections have the same arrangements of 12/24 volts systems



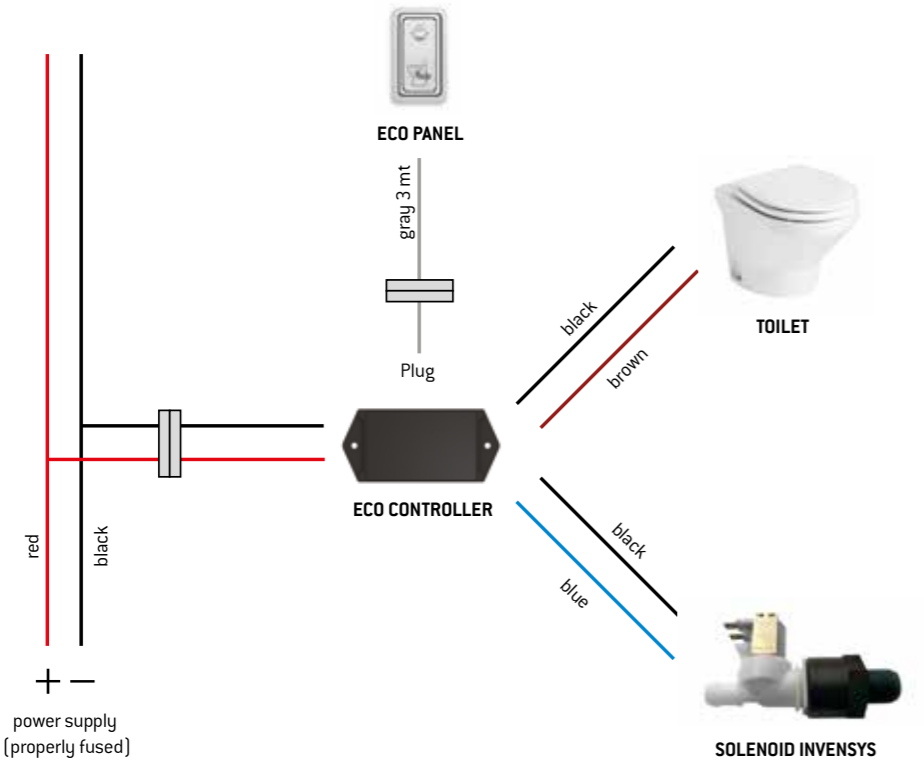
Central system fresh water wiring 110/230 V

Fresh water wiring - Premium panel

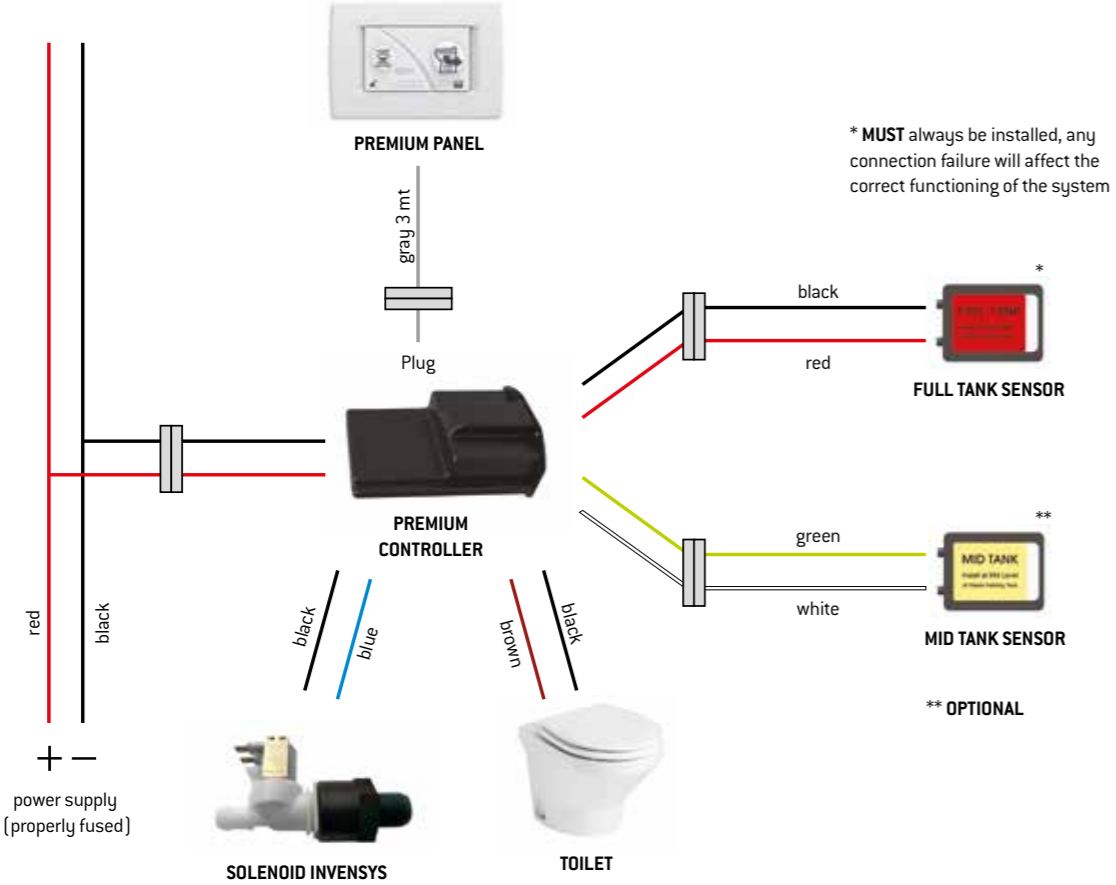


Compact Line wiring

Eco rocker switch



Premium Plus





For more information or to find your nearest Thetford Marine distributor or service centre check www.thetfordmarine.com

Per maggiori informazioni e per trovare il distributore ed il centro assistenza più vicino visita il nostro sito www.thetfordmarine.com

ITALY

Thetford Italy c/o Tecma s.r.l.
Via Flaminia
Loc. Castel delle Formiche
05030 Otricoli (TR)
Italia

T +39 744 709071
F +39 744 719833
E info@tecma.eu

www.thetfordmarine.com