



STYLE 3019/3015/3004 OMNI-DIRECTIONAL MARINE TV/FM ANTENNA

Congratulations! You have chosen the Shakespeare Style 3019, 3015 or 3004 omni-directional TV/FM antenna which bring the comfort of home onto the water, Anywhere!

By carefully following the installation and connection instructions, you will receive years of superior performance from your new Shakespeare antenna.

Special note: Please familiarize yourself with the assembly and installation of the antenna by fully reading and understanding these instructions before you begin. If you need assistance, please contact Shakespeare Technical Support at www.shakespeare-marine.com or 803-754-7011 ext.1154.

Parts List

- 1 3019/3015/3004 Antenna
- 1 75Ω RG59 Cable x2 F-Connectors
- 1 1.5m Adapter Cable – fitted with F-Connector to TV
- 1 DC Wire
- 1 Power Supply (12v and 24v)
- 1 IEC-F Connector Boot
- 1 Power Adapter
- 2 Screws

WARNING!
TO PREVENT FIRE OR SHOCK HAZARD, DO NOT EXPOSE POWER SUPPLY SECTION OF THIS APPLIANCE TO RAIN OR MOISTURE.

Antenna Mounting Instructions

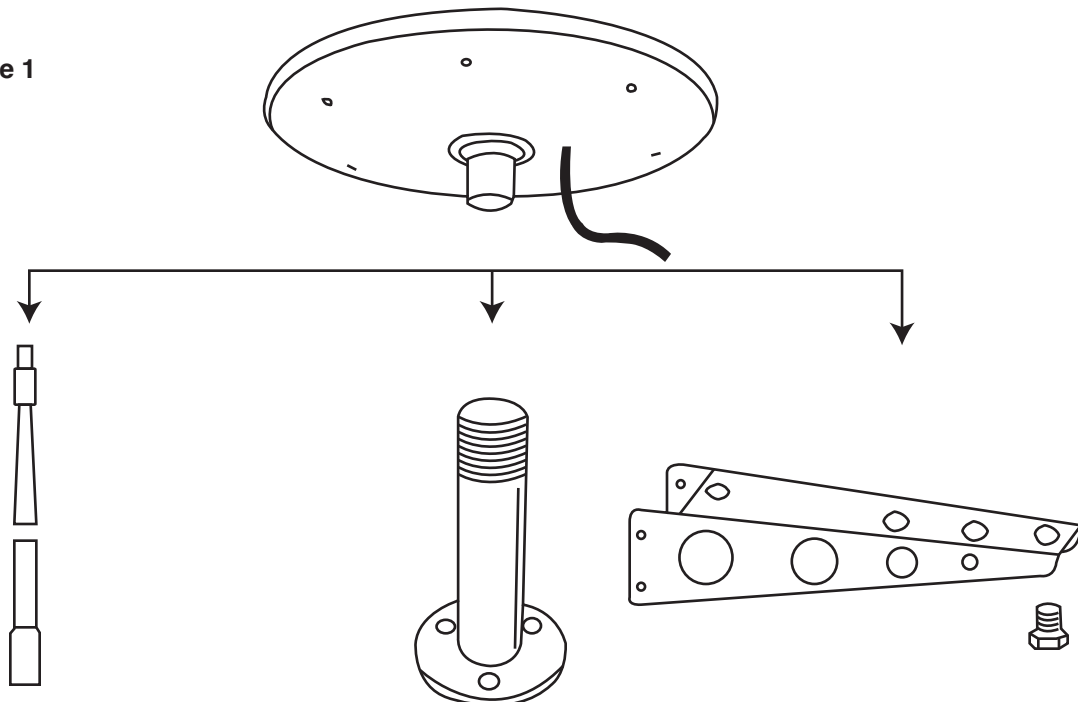
Step 1

Mount antenna on a marine extension mast, standard 1in-14 thread marine antenna mount of sailboat mounting bracket as illustrated below.

Caution!

When attaching the antenna to the antenna mount, be very careful to start threads properly before screwing antenna into position. If antenna mounting socket and antenna mount are not aligned correctly, the antenna mounting socket threads will become crossed and eventually strip.

Figure 1



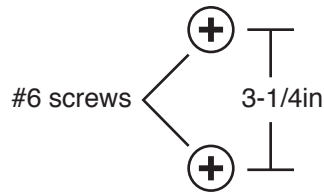
4008 Marine Extender

4365 Straight Mount

4366 Sailboat Mounting Bracket
Some Modification May Be Needed

Step 2

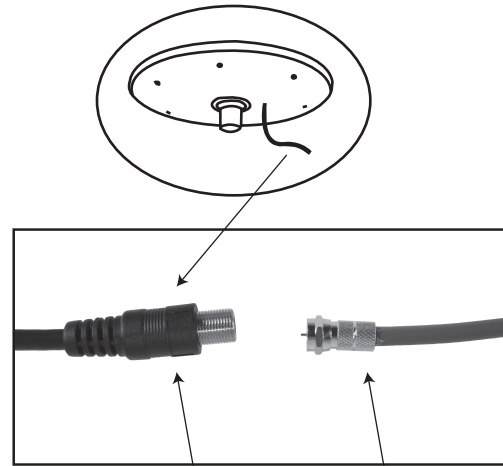
In a convenient locations, mount the two #6 screws vertically 3-1/4in apart leaving the screwheads approximately 1/8in from wall or mounting surface. Hand power supply onto screws.



Step 3

Route the RG-59 cable from the antenna to this power supply. Allowing enough cable slack for later installation of F-connectors, cut the cable. Route the remaining piece of RF-59 from the power supply to the back of the TV.

Figure 3

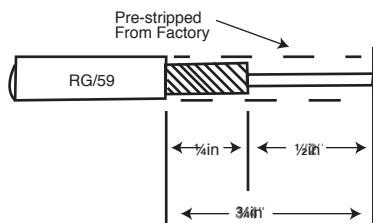


Connect Female F-Connector to Male F-Connector

Step 4

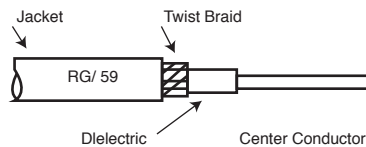
To install F-connectors strip cable jacket. See Figure 2A.

Figure 2A



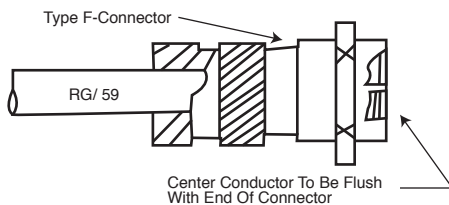
Push back and twist the braid around the Dielectric until it butts against the cable jacket. See Figure 2B.

Figure 2B



Screw the F-connector onto the cable jacket until the Dielectric butts against the inner retaining ring. Cut the center conductor off flush with the end of the connector. See Figure 2C.

Figure 2C



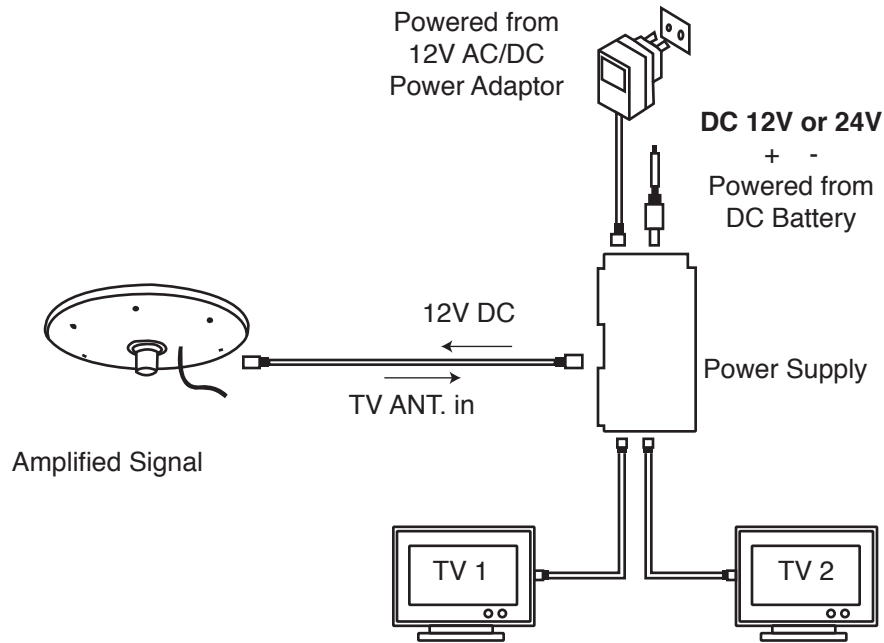
Repeat this step to install all four type F-connectors.

Special note: Place boot on cable before installing F-connector at the antenna.

Step 5

Conenctor power supply kits. Connect the cable from the antenna to the power adapter. Connect the output connector of the power supply unit to the DTV receivers or TVs. Connect the AC/DC adapter to the 12V DC jack on the power supply unit and plug the adapter into the power socket. Adjust the gain in the power supply unit for best signal reception. See Figure 4.

Figure 4



Installation Recommendations

Minimum bend radius: 3in for RG-59 coax.
Tighter bends will cause shorts and change impedance.

Pulling Tension: 75lbs maximum. Leave no tension on cable after it is installed.

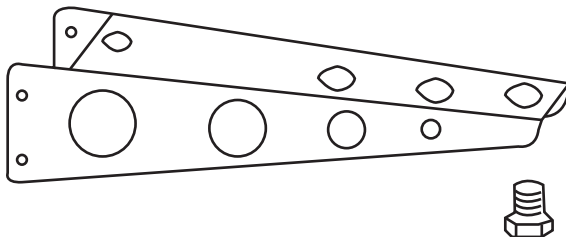
Staples or clamps: The use of flat staples with coax cable is damaging to the cable. Only round headed staples should be used. Any clamps or securing devices used with coax should grip the cable evenly around the circumference without crushing the cable.

Exposure to high heat: Maximum temperature limit is 80°C (176°F). Keep cable away from heating vents, engine compartments and engine exhaust pipes.

Crushing: Coax should not be installed in a manner that would allow it to be crushed. It should not be "stuffed" or wedged into areas where the cable could be pinched by the flexing of the boat hull or cabin.

Optional Accessories Available

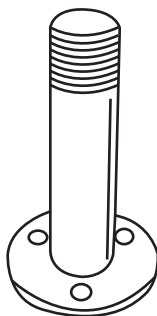
4366
Sailboat Mast Mount
Aluminum sailboat mast mount.



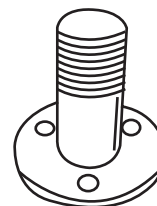
4364-B
Extension Mast
One inch diameter extension mast for light to moderate duty applications. While molded polycarbonate male upper and female lower 1in - 14 threads.



4365
Straight Mount
4in high 1in - 14 threads stainless steel mount. Perfect for radar arches. May be used with Style 4364 one foot extension mast.



4711
Nylon Mount
1in, 2in nylon mount. Low profile



SeaWatch®

Shakespeare Electronic Products Group
6111 Shakespeare Rd., Columbia, SC 29223
Tell: 803-227-1590 Fax: 803-419-3099