



www.**RAILBLAZA**.com  
HOLD EVERYTHING...

Versatile, Easy-to-Use Mounting Systems and Accessories  
for Leisure and Adventure Sports on and off the Water



Made in New Zealand  
from high quality, long lasting, UV resistant materials



New easy release feature

Supplied with all necessary fasteners

**Twin Pack**  
**03-4001-11** Black x 2  
**03-4001-21** White x 2

**Single Pack**  
**03-4015-11** Black  
**03-4015-21** White

## STARPORT Where It Starts

The RAILBLAZA StarPort is a unique and versatile mount used in a huge number of applications. The StarPort allows users to fit and swap out our full range of RAILBLAZA accessories. Made from high grade engineering plastics, the StarPort is easy to fit and stylish. It can be surface or recess mounted on power boats, inflatables, sail boats, kayaks, ATVs, garages & many other applications...

- StarPorts can be horizontally or vertically mounted in minutes
- Low profile surface mount & minimal intrusion depth when recess mounting
- Includes a stylish locking slide for securing accessories firmly in place
- Gasket and bung reduces water ingress.



## SIDEPORT

If you need to mount on a vertical surface, but require a horizontal port (or vice versa), the SidePort is the mount for you. It's ideally suited for gunwales of smaller aluminium boats or vertical cockpit wells on kayaks. Fitted in only minutes, and sold with all necessary stainless steel fasteners the SidePort is a fantastic mount and great value for money.

**03-4014-11**  
Black

**03-4014-21**  
White

Supplied with all necessary fasteners



Supplied with all necessary fasteners

## RAILMOUNT 19-25

fits round rails 19mm (.75in) to 25mm (1in)

**Combo pack** **03-4011-11** Black RailMount and StarPort  
**03-4011-21** White RailMount and StarPort



Supplied with all necessary fasteners

## RAILMOUNT 32-41

fits round 32mm (1.25in) - 41mm (1.6in) rails, and square 32mm rails

**Combo pack** **03-4013-11** Black RailMount & StarPort  
**03-4013-21** White RailMount & StarPort

**NEW**



**03-4108-11** Black  
Supplied with all necessary fasteners



## MINIPOINT TRACMOUNT

The MiniPort TracMount is designed to fit most existing kayak tracks, including, Wilderness Systems, Native Watercraft, Yak Gear & YakAttack. Tool-less operation allows easy fitting and adjustment by turning the MiniPort clockwise which tightens directly in the track using our TracNut.

To re-position in the track, turn counter clockwise to release. You can also attach to SUP's which have 1/4 20 threaded inserts in the deck, the TracNut would need to be removed.

**PLEASE NOTE:** Designed for use in light duty applications.



## RAILMOUNTS

The RailMount series from RAILBLAZA will now fit anything from a 19mm light rail on a sailboat, to a heavy 41mm aka rail on a Hobie outrigger. The RAILBLAZA RailMounts are;

- Strong
- Quick to fit
- Fits sizes (19, 20, 25, 32 and 41mm round, and 32mm square)
- No clearance required underneath, the 2 screws are fitted from the top
- Greater gripping power with the addition of grip tape.

# CHOOSE A MOUNT

**NEW**

**NEW**



03-4044-11 Black



Supplied with all necessary fasteners



**CLEATPORT** Two applications in one. The CleatPort gives you a tie off point for stern lines and bow lines on small craft. The StarPort gives the extra functionality of adding any RAILBLAZA accessory. Included is a unique backing plate keeping stainless fastenings isolated from aluminium decks avoiding corrosion.



03-4044-21 White



03-4046-11 Black  
Supplied with all necessary fasteners



## STARPORT HD

Many Kayaks and boats are made to suit the 4 hole base pattern of Scotty, RAM, Cannon, Fish-On, and many others. Now RAILBLAZA's original accessories can easily be fitted to these vessels. After many requests we introduce the StarPort HD. This is a stylish, four screw base mount, which comes with the popular RAILBLAZA locking slide, and is lower in profile than others on the market.

The StarPort HD can also be centrally mounted on many popular track systems, with the added versatility of tool-free adjustment. Just buy our TracMount Kit 03-4109-11, & open up the central hole bosses with a 6.5mm (1/4") drill bit.

## Fasteners included

Many Kayak brands use threaded inserts. It is advisable to check the depth and thread of insert before fitting supplied fasteners, as these may need to be shortened. StarPort HD can also be attached using self tapping screws, long tri grip rivets or rubber well nuts.



03-4104-11 StarPort TracMount Kit  
StarPort not included



03-4109-11 StarPort HD TracMount Kit  
StarPort HD not included

**The TracMount kit** allows you to attach StarPorts to leading brand kayak tracks, will fit many brands including Wilderness Systems, Scotty, Yak Gear, Yak Attack.

**The StarPort HD TracMount kit** attaches the StarPort HD to most kayak tracks. This gives tool free adjustment and by opening the centre holes, the StarPort HD can be centrally located on the track.

**NEW**



03-4049-11 Black

03-4049-21 White

03-4049-51 Grey



## CLEATPORT RIBMOUNT

Bringing the Functionality of the CleatPort to an Inflatable boat. Two applications in one. The CleatPort RIBMount gives you a tie off point for stern lines and bow lines on small inflatable boats. The StarPort gives the extra functionality of adding any RAILBLAZA accessory.



03-4004-11  
RIBPort Black



03-4004-51  
RIBPort Grey



03-4004-21  
RIBPort White

## RIBPORT

Add useful StarPort attachments to your inflatable with a stylish glue on pad. Comes complete with StarPort, and suitable for both PVC and Hypalon tubes. Completely compatible with all StarPort accessories.

**NEW**



02-4047-11  
Black

02-4047-21  
White

## ROWLOCK

The RAILBLAZA Rowlock adds the versatility of the RIBPort to your inflatable. Fit the Rowlock to the RIBPort ready for rowing then when not in use you can remove and stow the oar. Now you can attach any of the other RAILBLAZA accessories, like rod holders, drink holders or mobile device holders. Fits most standard aluminium oars.



# FISHING

A number of RAILBLAZA accessories come as a kit with a StarPort and fasteners, making them great value for money. If you need to mount your accessory on a rail, inflatable, or vertical surface, then you need to buy an accessory by itself, and the right mount for your purpose.



**02-4024-11** Fillet Table with platforms only  
**04-4024-11** Fillet Table including StarPorts and platforms

## FILLET TABLE *When you need a bit of 'chop' on the water*

The 525 x 350mm (20.7x13.8in) design allows for knife storage, has an all round drain that stops spill from the front, and no front lip to get in the way while filleting (includes two adjustable platforms). Fillet Table can be raised 125mm (5in) with the addition of StarPort Extenders.



**RodHolder only**  
**02-4020-11** Black  
**02-4020-21** White  
**RodHolder + StarPort Kit**  
**04-4020-11** Black  
**04-4020-21** White  
**RodHolder + StarPort HD Kit**  
**04-4055-11** Black

## ROD HOLDER II

- Rotating collar helps reduce 'strike-theft'
- Unique rear Gimble Lock feature • Fully adjustable
- Holds most fly rods, spinning reel rods and baitcasters • Designed with strength in mind





**NEW**



**02-4045-11** ScreenGrabba

**04-4045-11** ScreenGrabba + StarPort Kit

## SCREENGRABBA

These days chartplotter, sounder and even radar output can be read on popular consumer electronics. The ScreenGrabba holds your iPad, Galaxy Tab or other touchscreen firmly, even when it's in a waterproof bag or case.

- Fits 7" - 10" tablets
- 360° rotatable
- Over 90° tiltable
- 250mm Max tablet size
- Allows portrait & landscape viewing
- Will hold most hard & soft dry cases



**Mobi only**  
**02-4033-11** Adjustable Mobi  
**02-4034-11** Low Profile Mobi

**Mobi + StarPort Kits**  
**04-4033-11** Adjustable Mobi + StarPort Kit  
**04-4034-11** Low Profile Mobi + StarPort Kit



## MOBI MOBILE DEVICE HOLDER

The RAILBLAZA Mobile Device Holder, or "Mobi" for short, is ready to look after your phone, GPS, VHF, EPIRB or other mobile device. Our unique design brings a new level of versatility to the device holder market. Once you have your Mobi you can attach it to any vessel or vehicle on water or land - basically any place you can install a RAILBLAZA mount.

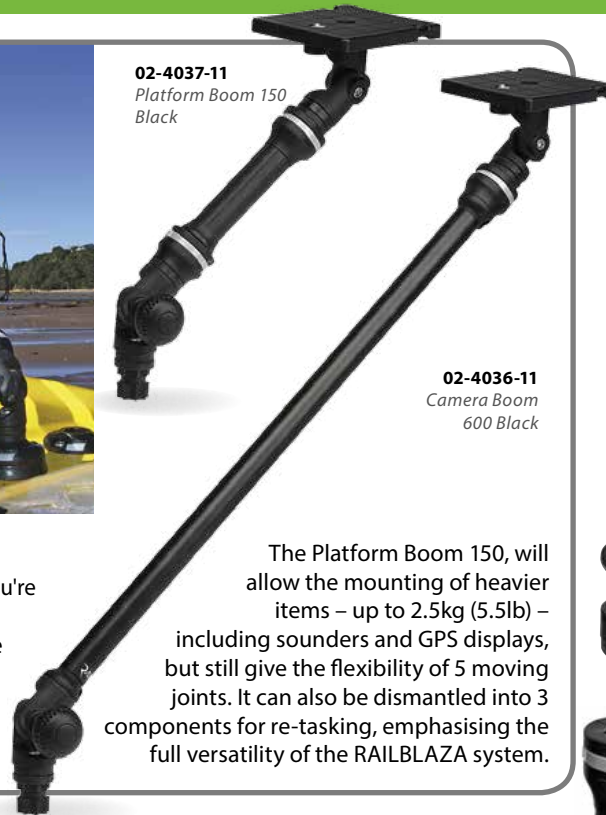
- Features**
- Spring loaded arms
  - Rubber grip pads
  - Optional retaining strap
  - Adjustable and low profile options

- Holds**
- Cellphone
  - VHF
  - EPIRB
  - Hand held GPS

# CAMERA MOUNTS



**02-4037-11**  
Platform Boom 150  
Black



**02-4036-11**  
Camera Boom  
600 Black

The Platform Boom 150, will allow the mounting of heavier items – up to 2.5kg (5.5lb) – including sounders and GPS displays, but still give the flexibility of 5 moving joints. It can also be dismantled into 3 components for re-tasking, emphasising the full versatility of the RAILBLAZA system.

## PRO SERIES BOOM MOUNTS

The perfect way to hold your camera and capture the action when you're hauling in a record-breaking marlin or about to take line honours. At over 600mm (24in) long and fully adjustable with 5 moving joints, the Camera Boom 600 is so flexible it has been asked "how did they ever shoot that angle?". The camera platform can be removed from the top of the Boom and repositioned in other StarPorts or TelePole to capture even more angles.



**NEW**

## CAMERA MOUNT ADAPTOR

The Camera mount adaptor will fit all cameras with a 1/4 20 thread insert allowing them to become StarPort compatible. Also includes GoPro Tripod adaptor. Fits any RAILBLAZA mount as per pages 1-3



**02-4053-11**  
Camera Mount  
Adaptor



**02 4054-11**  
Camera Mount Kit

## CAMERA MOUNT KIT (Including 3 axis knuckle joint and adaptor)

This compact option allows you to adjust your camera to every angle, with factory set friction joints your camera will stay steady. You can also transfer it to any RAILBLAZA mount as per pages 1-3



## CUSTOMISE YOUR CAMERA MOUNTS

The versatility of the RAILBLAZA system lets you customize your camera mounts allowing you to extend booms and create stabilising arms giving you that special angle ensuring you to get the best possible footage. Visit [www.railblaza.com](http://www.railblaza.com) and see what you achieve and what standard parts will allow you to create the best possible system.





**Twin Packs**  
02-4004-11  
Black HOOK25

**Twin Packs**  
02-4003-11  
Black EYE25

**Twin Packs**  
02-4005-11  
Black WEBEYE30



## HOOK25, EYE25, WEBEYE30

These simple accessories can be used in a myriad of ways. WEBEYEs are used for webbing straps to reduce fold over. Each accessory is supplied in twin packs.



### CupClam only

- 02-4013-11 Black
- 02-4013-21 White

### CupClam + StarPort Kits

- 04-4008-11 Black
- 04-4008-21 White

## CUPCLAM

Can be mounted in either horizontally or vertically mounted StarPorts, to hold mugs, stubbies, wine glasses, even cellphones. The extendable fingers hold the taller items in place, yet everything collapses into a convenient flatpack for storage. If you can't hold your drink, the CupClam will.

## ATTACHMENT ADAPTOR



RAILBLAZA attachment adaptors are designed to make many items StarPort compatible. You can also bolt the 2 adaptors together to make a male to male fitting. The male to male fitting has been used to create a detachable system for tubes on kayak sailor kits & outriggers & has many other applications, enhancing the versatility of the RAILBLAZA StarPort system.



Adaptors can be bolted together to create a male to male adaptor

02-4043-11  
Adaptor Pair



02-4032-11  
Black twin packs

02-4032-21  
White twin packs



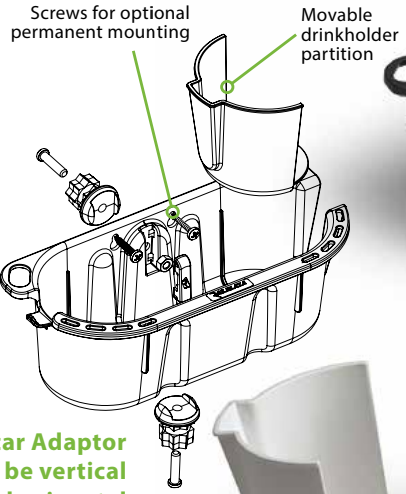
## CLEVIS/BIMINI SUPPORT

Attach a bimini, kayak sail, light pole or many other items to your boat, kayak, or anything else.



# DRINK HOLDERS/STORAGE

**NEW**



**StowPod only**  
Including Star Adaptor & fastenings  
02-4040-11 Black  
02-4040-21 White

**StowPod + StarPort Kit**  
04-4040-11 Black  
04-4040-21 White

**Star Adaptor can be vertical or horizontal mounted**



02-4048-11 Black  
04-4048-11 Black incl StarPort

02-4048-21 White  
04-4048-21 White incl StarPort



## STOWPOD

- Holds pliers, keys, lures, phones, VHF's, binoculars, drink bottles, sunblock, mugs & much more...
- Movable drink holder partition
- Mounts into any vertical or horizontal StarPort or can be permanently fastened in place
- Mounts on rails or inflatables by adding the right RAILBLAZA mounts
- Available in black or white
- Easily removed and stowed when not in use or transferred to another position.
- 255mmW x 88mmH x 105mmD (10"W x 3.5"H x 4.5"D) excl Star Adaptor
- UV resistant material.

## DRINKHOLD

Our customers have been asking for a simple drink holder for sometime. Well here it is, the DrinkHold can be easily mounted into a vertical or horizontal StarPort and will hold anything from drinkbottles to coffee mugs along with the ability to hang fishing lures or store pliers. Like all our StarPort accessories it is easily removed and transferred to another port or stowed when not in use

**03-4051-11**  
Rokk for RAILBLAZA  
Multipurpose Mount

**NEW**



## ROKK MULTIPURPOSE

The Rokk Multipurpose is a robust ball joint system. The bottom plugs into any port, and the top will receive any RAILBLAZA accessory. Add a platform and it will hold heavier sounders and GPS plotters. The metal on metal ball and socket system gives ultra high clamping force with zero loss of clamping force over time. Engineered to withstand high shock loading, tilt 270°, 360° rotation.



**Platform only**  
**02-4002-11** Black  
**Platform + StarPort kit**  
**04-4002-11** Black

## ADJUSTABLE PLATFORM

Allows the attachment of any platform-type product to a StarPort, eg: Fillet Tables, barbecues, tables, solar panels etc. Adjustable angles forward and back 90°. Supplied in singles. Platform size 100 x 64mm (4 x 2.5in).



**02-4025-11**  
Black

## THREE-AXIS PLATFORM

The Three Axis Platform is the answer if you need real flexibility in a mount. Designed with sounders and GPS devices in mind, you can now mount on angled surfaces & have your display level. Platform size 102 x 102mm (4 x 4in).



**02-4021-11** Black

## ROTATING PLATFORM

A platform for mounting sounders or chartplotters, where a fixed plane surface is required, but rotation is needed. Platform size 102 x 102mm (4 x 4in).



# STARPORT EXTENSIONS



**03-4016-11**  
Extender



## EXTENDER

StarPort Extenders plug into any StarPort, and have the same star shape on top with a clever little lock. The Fixed Extender gives you 125 mm (5 in) of clearance from the StarPort - perfect for raising RAILBLAZA's Fillet Table, keeping fly rods clear of the water, and many other applications.



**03-4017-11**  
Adjustable Extender



## ADJUSTABLE EXTENDER

With two rotating joints and a knuckle joint that tilts in 15° increments, the adjustable extender adds great versatility. When coupled with one of RAILBLAZA's large range of accessories, it helps keep hold of your emergency torch, fishfinder, or any number of useful items.



**03-4102-11**  
TracPort Dash 500  
Includes 500mm  
(19.5") Track with 4  
StarPorts installed and  
2 attachment adaptors

**03-4101-11**  
StarPort  
TracMount Kit

**03-4103-11**  
TracPort Dash 350  
Includes 350mm (13.75") Track with 3 StarPorts  
installed and 2 attachment adaptors

## THE TRACPORT DASH SERIES

**Offers versatility and adjustability to your StarPort positioning.**

The TracPort Dash 350 turns one StarPort into three. TracPort Dash 500 turns two StarPorts into four. StarPorts slide to adjust in track. Extra StarPort TracMounts can be purchased separately.



**SwivelPort**  
**03-4042-11** Black



## SWIVELPORT

The SwivelPort is designed to allow accessories to be easily rotated 360°. Factory set friction joint. Can be attached to any StarPort, SidePort or RIBPort and will receive any StarPort accessory.



02-4009-11 Black Base



## FLAGPOLE

Light and strong, whether you need to mount a diving flag or just proudly display your allegiance to your club, sport, country or hoist the Jolly Roger. Easily removed for stowing. 800mmL (31.5")



04-4004-11 Black (All parts black)  
04-4004-21 White  
(As above with White StarPorts and WEBEYE's)

## DIVE BOTTLE HOLDER KIT

Take care of your air. The Dive Bottle Holder Kit comes with the RAILBLAZA Dive Bottle pad, two StarPorts, two WEBEYE30s and a strap.

Strap dive bottles in, or when the pad isn't needed, re-task the StarPorts with any other RAILBLAZA StarPort attachments. The pad alone can also be used to transport bottles in vehicles.



02-4010-11  
Black Base



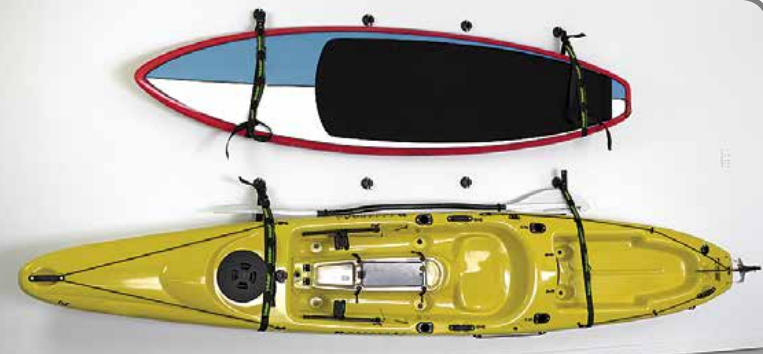
## FLAGWHIP

Light, mobile & flexible, ideal for kayaks, ATVs or wherever you need to be seen.

- Increase visual presence on the water or farm
- 1200mm in length (47.25")
- Comes with 300 x 150mm pennant (12" x 6")
- Easily removed for transporting



04-4050-11 Sling pair



## STARPORT WALL SLING

### Sling Your Yak or SUP – with RAILBLAZA!

Storage of a wide range of watercraft including SUPs, canoes, windsurfers and kayaks just got quicker and easier with the RAILBLAZA StarPort Wall Sling.

Installed in minutes and supplied with StarPorts, slings, adjustment buckles and screws the StarPort Wall Sling is great value for money. The Wall Sling will free up space in your garage, shed or yard by allowing you to hang your craft on the wall. You can hang it outside on one pair of StarPorts to wash down, and then easily transfer it to another pair of StarPorts inside to keep it warm and dry! If you want to use your sling at another location like your holiday home it's as cheap and easy as fitting two more StarPorts. Kit includes 2 Slings.

# HOLD IT SAFE

AVAILABLE  
DEC 2014

## G-HOLDS

Hold varying types of items, like torches, knife sheathes, boathooks, oars, gaffs and much more.

- Three diameters - 35, 50 or 75 mm (1.3, 2 or 3 in)
- They fit into any RAILBLAZA StarPort
- The flexible quick-release strap has two securing points for minimum and maximum diameters.



**G-Hold Single Packs**  
02-4026-11 Black 35mm  
02-4027-11 Black 50mm  
02-4028-11 Black 75mm



02-4052-11  
Black

## RIFLEHOLD

The RifleHold allows you to safely stow and transport your rifle. The flexible rubber fingers shape to fit different gun butts and the strap secures the rifle against vibration and damage. Will fit into all RAILBLAZA mounts. Sold singularly, however we recommend 2 units per rifle.

**We strongly recommend the RAILBLAZA RifleHold is used in accordance with requirements of firearms legislation for the jurisdiction you are in.**



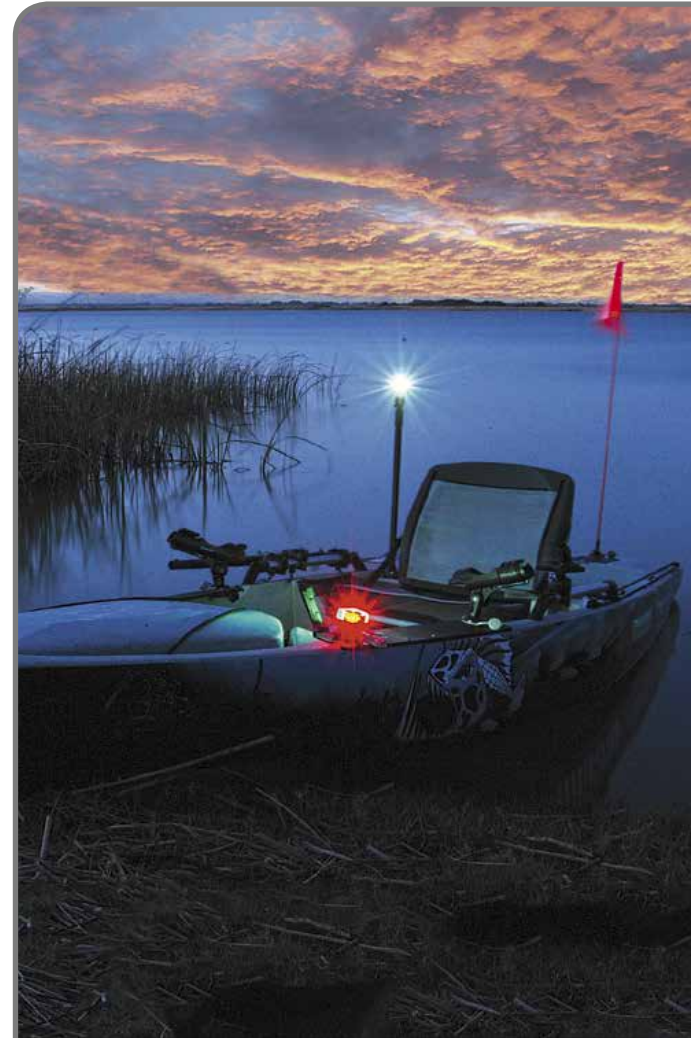


- Kit includes:**
- TelePole extendable from 550mm (21.65") to 1050mm (41.3")
  - Flourescent orange flag
  - NaviLux 360 light to be seen after dark. Total height 1250mm (49.2")when attached to fully extended TelePole. Light can also be transferred to other StarPorts on deck allowing cockpit illumination using directional light shield supplied.
  - StarPort and mounting fasteners
  - TelePole can also be used for other applications like camera mounting (see page 6).

## KAYAK VISIBILITY KIT

Now you can buy everything in one kit to give day and night visibility when on the water in your kayak or canoe.

**Visibility Kit**  
**04-4041-11** Black  
includes all fastenings



## NAVILUX 360 KAYAK LIGHT

The RAILBLAZA NaviLux 360° Kayak Light offers Cree Technology. The single Cree LED is ultra bright, and gives off 110 lumens of light. Powered by 3 x AA batteries (not included), the NaviLux 360 has an operating time of 20 hours at full brightness, and over 40 hours at lower levels.



**02-5003-11**  
NaviLux 360



Removable Light  
Shield included





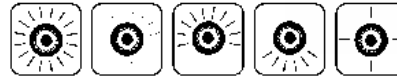
**02-4035-11**  
TelePole

Use with your imagination, torch, camera, lights, action...

## TELEPOLE

The TelePole adds another dimension of versatility to the RAILBLAZA system, it compresses to 550mm and expands to 1050mm with a male StarPort adaptor at one end and a female StarPort at the top. Fly a flag, attach a NAVISAFE All-round white LED navi light, attach a 3 axis camera mount or you can even add an Adjustable Extender with G-Hold. Fits into any StarPort, SidePort, RailMount or RIBPort.

- Waterproof to 20 metres
- 2nm US COAST GUARD APPROVED
- 13-15 HRS Constant light
- 80-85 Hrs Flashing light
- 22-24 Hrs Forward Lights
- 30-32 Hrs Stern facing Light
- 70-72 Hrs Mood Lighting 4 Led's only
- Runs off 3 x AAA Batteries



**02-5001-11**  
LED NAVILIGHT  
Allround white



- Waterproof to 20 metres
- 2nm US COAST GUARD APPROVED
- 10-12 Hrs all Lights on
- 60 Hrs White Stern light only
- 35 Hrs Red and Green lights only
- 70 Hrs Red light only
- 70 Hrs Green light only
- Runs off 3 x AAA Batteries



**02-5002-11**  
LED NAVILIGHT  
Port/Starboard



## LED LIGHTS

RAILBLAZA have collaborated with NAVISAFE from Norway to offer a range of LED navi lights to suit your kayak or small power boat. They can even be used as emergency Navi lights for a sailboat. The lights will fit into any StarPort, SidePort, RailMount, RIBPort, StarPort Extender and into our TelePole for that extra height required.



# The Ultimate Kayak & Canoe Trolley

The C-TUG kayak trolley is designed and manufactured in Napier, New Zealand. Unlike any other trolley in the paddle sport arena today, C-TUG continues to amaze sport enthusiasts with its rugged appeal, incredible strength and satisfying good looks.



- Reinforced composite material
- Tool-free assembly
- Dismantles in under 20 seconds
- Fits inside kayak hatch
- Thermo-bonded elastomeric hull pads
- Stainless steel reinforced axles
- Puncture-free wheels with hi-grip rubber tread
- 2.4m (7.5') strap with cam-lock buckle
- Adjustable kick-stand
- Light weight 4.3 kg (10lbs) and easy to handle
- 120kg (300lbs) static loading



## Kiwi Wheels

Puncture free with hi-grip rubber tread. If you have an old C-TUG with pneumatic wheels and want to upgrade, all you do is clip off your old wheels, and clip on the new ones, easy as!!

**Part no: 50-0002-71**

*(Supplied as a pair)*

*Dimensions: Dia. 260mm (10"), Width. 90mm (3.5")*



## C-Tug Trolley

The New Zealand made C-TUG is the best, most versatile and durable kayak trolley on the market. It carries up to 120kg (300lbs), dismantles in under 20 seconds to fit into a kayak hatch and won't corrode.

**Part no: 50-0001-71**

*Packaged box size: 580mm x 270mm x 200mm  
(23" x 10.5" x 8") 4.3kg (10lbs)*

Made in New Zealand

[WWW.C-TUG.COM](http://WWW.C-TUG.COM)



### RAILBLAZA LTD

**Postal:** PO Box 119 Waiwera 0950, Auckland, NZ  
**Factory:** 6 Tavern Rd, Silverdale 0932, Auckland, NZ  
**Email:** [info@railblaza.com](mailto:info@railblaza.com)  
**Ph:** +64 9 426 1475 **Fax:** +64 9 426 1477  
**Web:** [www.railblaza.com](http://www.railblaza.com)



[www.facebook.com/RAILBLAZA](http://www.facebook.com/RAILBLAZA)  
 For competitions, tutorials, pictures and event news!

DIGITERATI



**Installation & Demo Videos!**

[www.youtube.com/railblaza](http://www.youtube.com/railblaza)

Some StarPort accessories come in both black and white. For up-to-date options, dimensions and specifics, check out our website!

[www.railblaza.com](http://www.railblaza.com)