

13 Service Parts

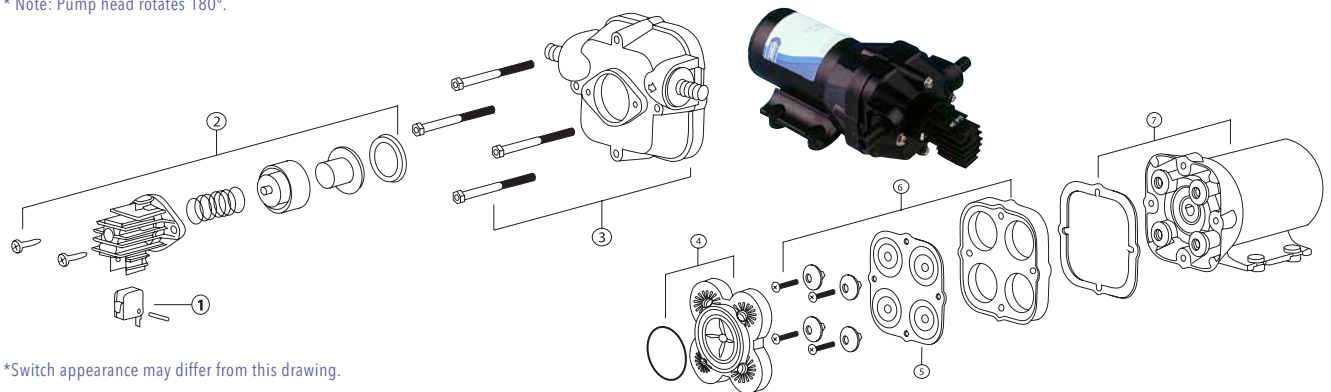
OLD 30XXX SERIES PAR-MAX PUMPS



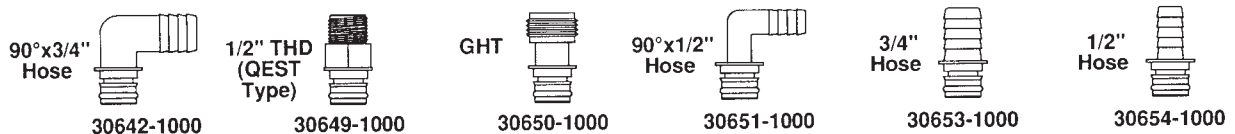
Water System Pumps						
Key	Description	Qty	30600 Series	30620 Series	30710 Series	30720 Series
1	Micro Switch	1	18753-0141	18753-0141	18753-0141	18753-0141
2	Pressure Switch	1	37121-0010	37121-0010	37121-0010	N/A
	Low Pressure Switch	1	44814-1000	44814-1000	N/A	N/A
3	Body Kit	1	30608-1000	30608-1000	30608-1000	30608-1000
4	Valve Kit	1	30613-1001	30613-1001	30613-1001	30613-1001
5	Diaphragm Kit	1	30617-1000	30617-1000	30617-1000	30617-1000
6	Plate/Piston Kit	1	30682-1000	30682-1000	30682-1000	30682-1000
7	Motor Kit 12Vdc EMC	1	18753-0575	18753-0577	18753-0572	18753-0577
	Motor Kit 12Vdc	1	18753-0444	18753-0463	N/A	18753-0463
	Motor Kit 24Vdc EMC	1	18753-0576	18753-0578	18753-0573	18753-0578
	Motor Kit 24Vdc	1	18753-0451	18753-0464	N/A	18753-0464
Standard Ports Kits	1/2" Barb	2	30654-1000	30654-1000	N/A	N/A
	1/2" Threaded (QEST)	2	30649-1000	30649-1000	N/A	N/A
	3/4" Barb	2			30653-1000	30653-1000
	Pumpgard™ Strainer	1	46400-0002	46400-0002	46400-0002	46400-0002
	Spray Nozzle	1	N/A	N/A	30703-1000	N/A

Bilge/Washdown Pumps							
Key	Description	Qty	30621 Series	30631*	30700-00X2 & 30700-00X4	30700-03X2 & 30700-03X4	30705
1	Micro Switch	1	18753-0141	N/A	18753-0141	18753-0141	N/A
2	Pressure Switch	1	37121-0010	N/A	44050-1000	44050-1000	N/A
	Low Pressure Switch	1	44814-1000	N/A	N/A	N/A	N/A
3	Body Kit	1	30608-1000	30608-1001	30608-1000	30608-1000	30608-1001
4	Valve Kit	1	30613-1001	30613-1001	30613-1001	30613-1001	30613-1001
5	Diaphragm Kit	1	30617-1000	30617-1000	30617-1000	30617-1000	30617-1000
6	Plate/Piston Kit	1	30682-1000	30682-1000	30682-1000	30682-1000	30682-1000
7	Motor Kit 12Vdc EMC	1	18753-0577	18753-0579	18753-0579	18753-0579	18753-0579
	Motor Kit 12Vdc	1	18753-0463	18753-0489	18753-0489	18753-0489	18753-0489
	Motor Kit 24Vdc EMC	1	18753-0578	18753-0595	18753-0595	18753-0595	18753-0595
	Motor Kit 24Vdc	1	18753-0464	18753-0490	18753-0490	18753-0490	18753-0490
	1/2" Barb	2	30654-1000	N/A		30654-1000	N/A
	1/2" Threaded (QEST)	2	30649-1000	N/A		N/A	N/A
	3/4" Barb	2	30653-1000	30653-1000	30653-1000		30653-1000
	Pumpgard™ Strainer	1	36400-0000	46200-0000	46400-0000	46400-0002	46200-0000
	Spray Nozzle	1		N/A	30703-1000	30704-1000	N/A

* Note: Pump head rotates 180°.



*Switch appearance may differ from this drawing.



Optional Port Adaptors available (2 per Kit). Also fit new PAR-Max range.

Service Parts 13

NEW 31XXX SERIES PAR-MAX PUMPS

PAR-Max 1 Automatic Water System Pump & Manual Demand Pump

Pump Service Parts List			
Description	Part No	42630-2900	42631-2900
Pump head Repair Kit	42632-0000	X	X
Motor/Housing Kit	42633-0000	X	X
Pressure Switch Assy.	42634-0000	X	

Strainers				
Pump Series	Strainer No	Inlet	Outlet	Screen
42630-2900	36400-0003	3/8" Barb	3/8" Barb	40 Mesh
42631-2900	36400-0003	3/8" Barb	3/8" Barb	40 Mesh

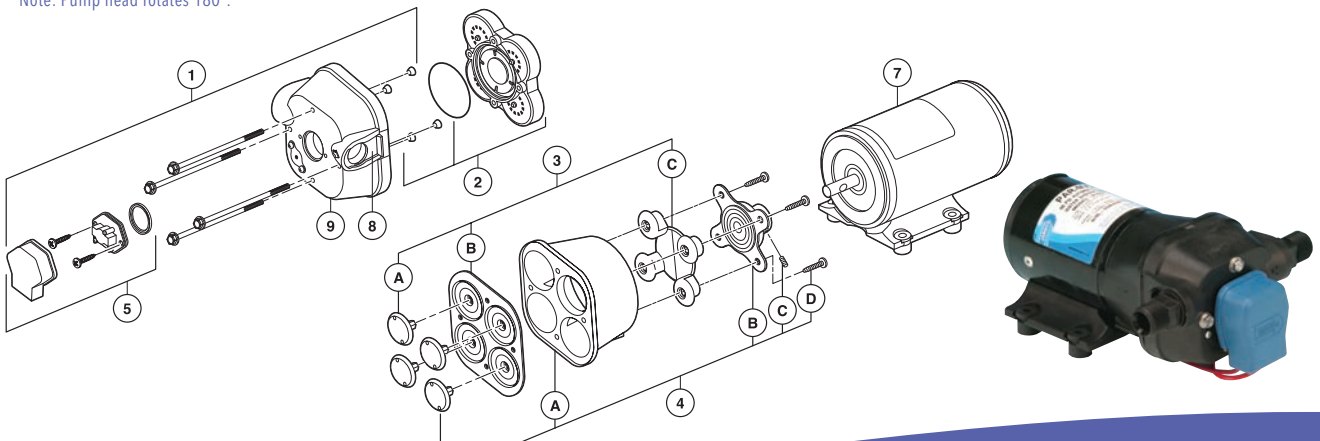
PAR-Max 2+, PAR-Max 3 & PAR-Max 4 Water System Pump

Key	Description	Qty	31595 Series	31600 Series	31620 Series	31630 Series
1	Upper Housing XXXXX-0092	1	18910-4040	18910-4040	18910-4040	18910-4040
	Upper Housing XXXXX-0094	1	18910-4040	18910-4040	18910-4040	18910-4040
	Upper Housing XXXXX-0292	1	18910-4025	18910-4025	18910-4025	18910-4025
	Upper Housing XXXXX-0294	1	18910-4025	18910-4025	18910-4025	18910-4025
2	Valve Kit	1	18911-7030	18911-7030	18911-7030	18911-7030
3	Diaphragm Kit	1	18912-3040	18912-3040	18912-3040	18912-3040
4	Lower Housing Kit	1	18915-9000	18915-9002	18915-9002	18915-9002
5	Pressure Switch XXXXX-0092	1	37121-0010	37121-0010	37121-0010	37121-0010
	Pressure Switch XXXXX-0094	1	37121-0010	37121-0010	37121-0010	37121-0010
	Pressure Switch XXXXX-0292	1	44814-1000	44814-1000	44814-1000	44814-1000
	Pressure Switch XXXXX-0294	1	44814-1000	44814-1000	44814-1000	44814-1000
6*	Service Kit	1	18920-9042	18920-9043	18920-9043	18920-9043
7	Motor Kit – 12V EMC COMP	1	18919-0134	18919-0131	18919-0132	18919-0133
	Motor Kit – 24V EMC COMP	1	18919-1055	18919-1052	18919-1053	N/A
8	Slide Clips	1	30648-1000	30648-1000	30648-1000	30648-1000
9	Pumphead Assy. XXXXX-0092	1	18914-6240	18914-6340	18914-6340	18914-6340
	Pumphead Assy. XXXXX-0094	1	18914-6240	18914-6340	18914-6340	18914-6340
	Pumphead Assy. XXXXX-0292	1	18914-6225	18914-6325	18914-6325	18914-6325
	Pumphead Assy. XXXXX-0294	1	18914-6225	18914-6325	18914-6325	18914-6325
	Pumpgard Strainer with Support	1	-	-	-	36400-9000

PAR-Max 3 & PAR-Max 4 Washdown/Baitewell & Shower Drain/General Purpose

Key	Description	Qty	31605 Series	31610 Series	31631 Series	31705 Series	31700 Series
1	Upper Housing	1	18910-4050	18910-4000	18910-4000	18910-4000	18910-4050
2	Valve Kit	1	18911-7030	18911-7010	18911-7010	18911-7010	18911-7030
3	Diaphragm Kit	1	18912-3040	18912-3050	18912-3050	18912-3050	18912-3040
4	Lower Housing Kit	1	18915-9002	18915-9005	18915-9005	18915-9005	18915-9002
5	Pressure Switch	1	44050-1000	N/A	N/A	N/A	44050-1000
6*	Service Kit	1	18920-9043	18920-9053	18920-9053	18920-9053	18920-9043
7	Motor Kit – 12V EMC COMP	1	18919-0139	18919-0139	18919-0140	18919-0140	18919-0140
	Motor Kit – 24V EMC COMP	1	18919-1061	18919-1061	18919-1062	18919-1062	18919-1062
8	Slide Clips	1	30648-1000	30648-1000	30648-1000	30648-1000	30648-1000
9	Pumphead Assy.	1	18914-6350	18914-6300	18914-6300†	18914-6300	18914-6350
	Pumpgard™ Strainer US	1	46400-0000	46400-0000	46400-0000	46400-0000	46400-0000
	Pumpgard™ Strainer EC	1	46400-0002	46400-0002	46400-0002	46400-0002	46400-0002
	Spray Nozzle US	1	30703-1000	-	-	-	30703-1000
	Spray Nozzle EC	1	30704-1000	-	-	-	30704-1000

* Note: Pump head rotates 180°.



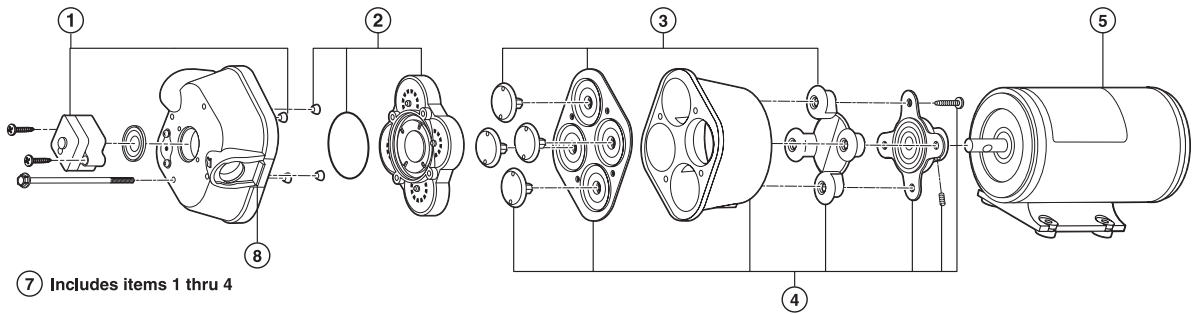
* Service kit includes Keys 2, 3 and 4B, C, D and 8.

13 Service Parts

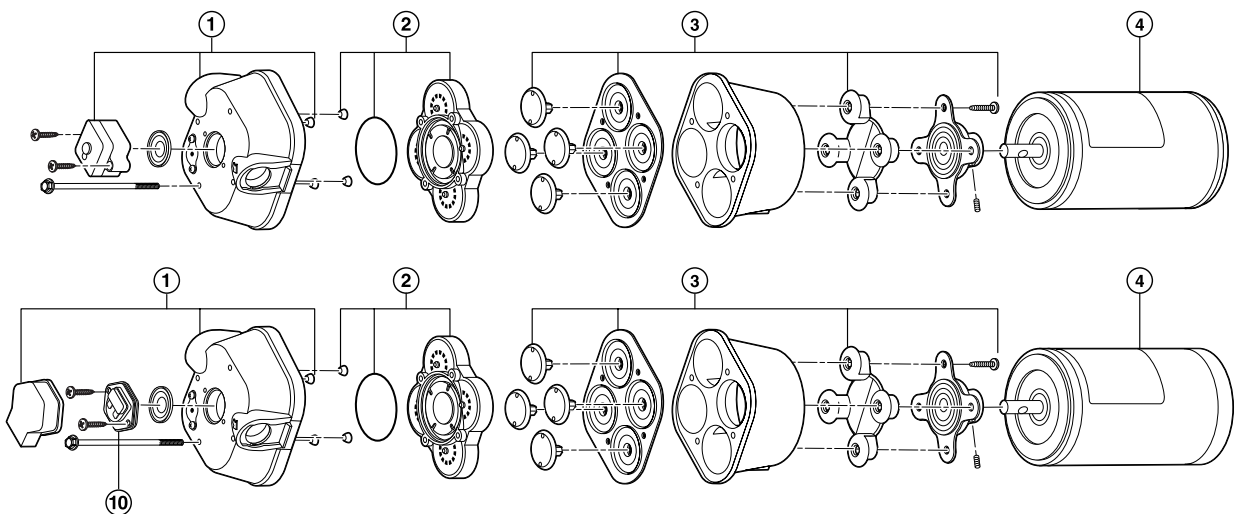
SENSOR MAX VSD & DUAL MAX VSD



Sensor Max™ VSD			
Key	Description	31750	31755
0	Service Kit*	18920-9043	18920-9043
1	Upper Housing with Sensor Housing	18910-4027	18910-4028
2	Check Valve Assembly	18911-7030	18911-7030
3	Diaphragm Assembly (includes screws)	18912-3040	18912-3040
4	Lower Housing Assembly	18915-9002	18915-9002
5	Motors with Sensor	18919-0128	18919-0127
7	Pump Head Assembly	18914-6037	18914-6038
9	Pumpgard™	46400-9500	46400-9500



Dual Max VSD			
Key	Description	Upper Pump	Lower Pump
31765-0092 12 VDC			
1	Upper housing	18910-4028	18910-4040
2	Valve Assembly	18911-7030	18911-7030
3	Lower Housing	18915-9002	18915-9002
4	Diaphragm Assembly	18912-3040	18912-3040
5	Motor	18919-0127	18919-0132
	Pressure Switch	N/A	37121-0010
	Service Kit	18920-9043	18920-9073
31765-0094 24 VDC			
1	Upper housing	18910-4028	18910-4025
2	Valve Assembly	18911-7030	18911-7030
3	Lower Housing	18915-9002	18915-9002
4	Diaphragm Assembly	18912-3040	18912-3040
5	Motor	18919-0127	18919-1053
	Pressure Switch	N/A	37121-0010
	Service Kit	18920-9043	18920-9043



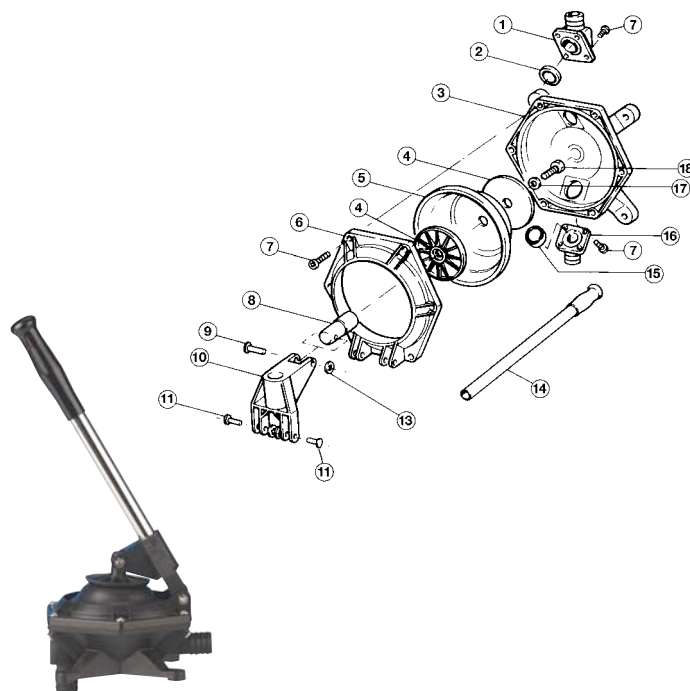
Service Parts 13

AMAZON MANUAL DIAPHRAGM PUMPS

29240-0000 Bulkhead

Repair Kits Available		
Kit	Part No	Description
A	29246-1000	MAJOR SERVICE KIT
B	29241-1000	PORTS KIT
C	29243-1000	CLAMP RING & ROCKER KIT

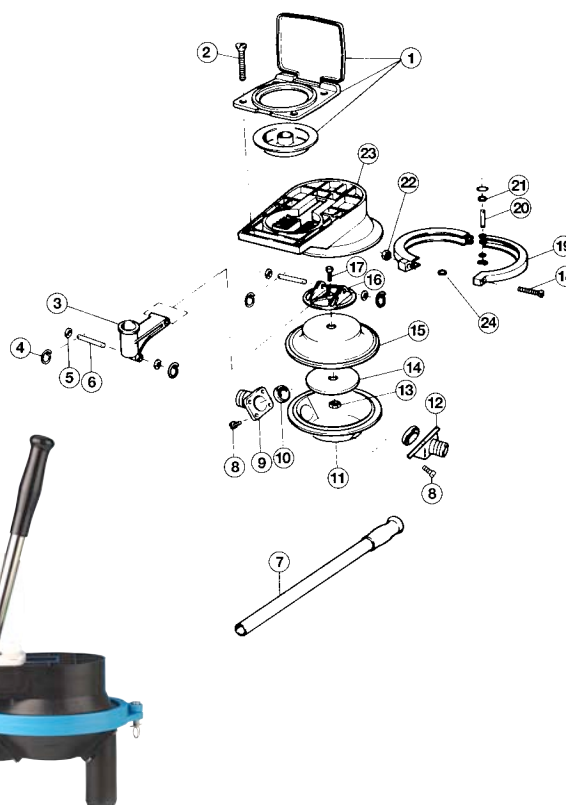
Key	Description	Qty Per Pump	Part No	Qty per Repair Kit		
				A	B	C
1	OUTLET PORT	1			1	
2	OUTLET VALVE	1		1	1	
3	BODY	1	29242-1000			
4	DIAPHRAGM PLATE	2				2
5	DIAPHRAGM	1		1		
6	CLAMP RING	1				1
7	SCREW	14		2	2	3
8	CON ROD	1				1
9	CLEVIS PIN (LONG)	1				1
10	ROCKER	1				1
11	CLEVIS PIN (SHORT)	1				1
13	WASHER	1				1
14	HANDLE	1	29267-1000			
15	INLET VALVE	1		1	1	
16	INLET PORT	1				1
17	WASHER	1		1		1
18	BOLT	1				1



29250 Series Thru Deck

Repair Kits Available		
Kit	Part No	Description
A	29256-1000	MAJOR SERVICE KIT
B	29241-1000	PORTS KIT 1"
	29241-1010	PORTS KIT 1 1/2"
C	29252-1000	CLAMP RING ASSEMBLY
D	29254-1000	ROCKER ASSEMBLY

Key	Description	Qty Per Pump	Part No	Qty per Repair Kit			
				A	B	C	D
1	THROUGH DECK KIT	1	29279-0000				
2	SCREW	4					
3	ROCKER	1					1
4	RING CLIP	6				2	4
5	WASHER	4					4
6	CLEVIS PIN (LONG)	2					2
7	HANDLE	1	29267-1000				
8	SCREW	8		2	2		
9	OUTLET PORT	1				1	
10	FLAP VALVE	2		2	2		
11	LOWER BODY	1					
12	INLET PORT	1				1	
13	NYLOC NUT	1				1	1
14	DIAPHRAGM PLATE (LOWER)	1					1
15	DIAPHRAGM	1				1	
16	DIAPHRAGM PLATE (UPPER)	1					1
17	BOLT	1					1
18	SCREW	1		1			1
19	DIAPHRAGM CLAMP RING	2					2
20	CLEVIS PIN (SHORT)	1					1
21	WASHER	2					2
22	NUT	1					1
23	UPPER BODY	1					
24	O-RING	1		1			1



13 Service Parts

AMAZON MANUAL DIAPHRAGM PUMPS

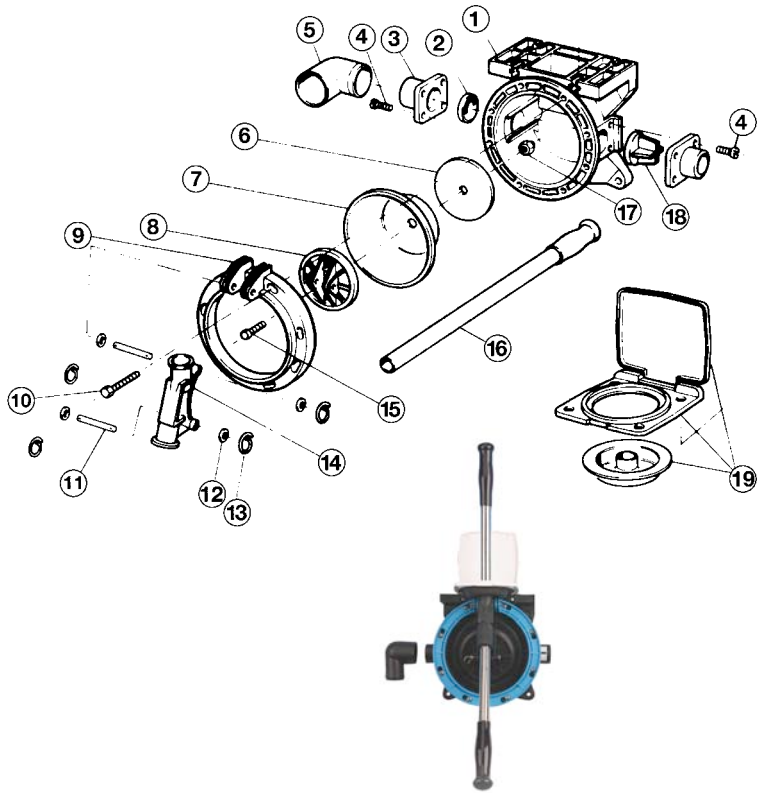


29270-0000 Universal

Repair Kits Available		
Kit	Part No	Description
A	29276-1000	MAJOR SERVICE KIT
B	29275-1000	PORTS KIT
C	29272-1000	CLAMP RING & ROCKER KIT

Key	Description	Qty Per Pump	Part No	Qty per Repair Kit		
				A	B	C
1	BODY	1	29271-1000			
2	INLET VALVE	1		1	1	
3	PORT	2			2	
4	SCREW	8		3	2	
5	PUSH FIT ELBOW	1	29266-1000			
6	DIAPHRAGM PLATE (INNER)	1				1
7	DIAPHRAGM	1		1		
8	DIAPHRAGM PLATE (OUTER)	1				1
9	CLAMP RING	1				1
10	SCREW	8		3	3	
11	PIVOT PIN	2				1
12	WASHER	4		1	2	
13	RING CLIP	4		1	2	
14	ROCKER	1				1
15	BOLT	1				1
16	HANDLE	1	29267-1000			
17	NYLOC NUT	1		1	1	
18	OUTLET VALVE	1		1	1	

Optional Extras Available		
Key	Part No	Description
19	29279-0000	THROUGH DECK KIT

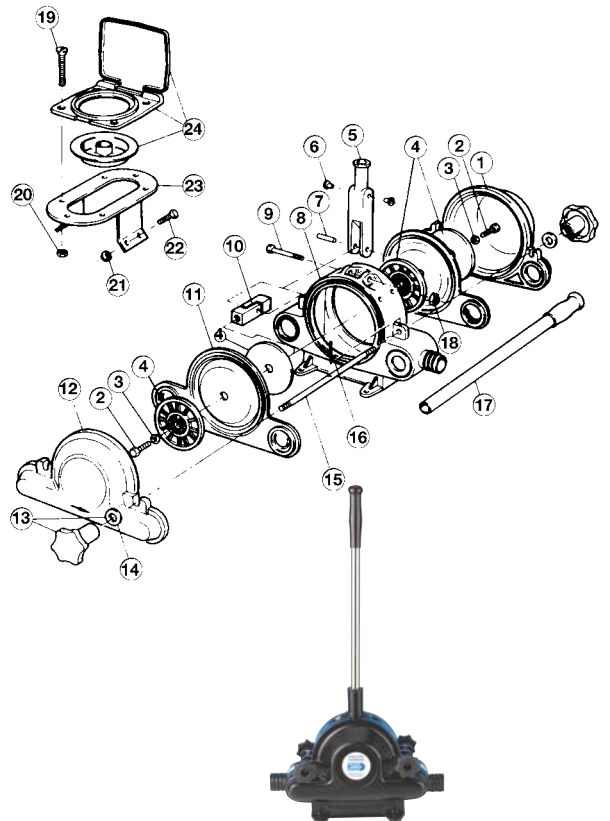


29280-0000 Warrior

Repair Kits Available		
Kit	Part No	Description
A	29286-1000	MAJOR SERVICE KIT
B	29283-1000	BODY KIT
C	29284-1000	ROCKER KIT

Key	Description	Qty Per Pump	Part No	Qty per Repair Kit		
				A	B	C
1	LEFT HAND COVER PLATE	1	29281-1000			
2	BOLT (DIAPHRAGM PLATE)	2				2
3	WASHER	2		1	2	
4	DIAPHRAGM PLATE	4				4
5	ROCKER ARM	1				1
6	BUSH	2				2
7	PIVOT PIN	1				1
8	BODY	1		1		
9	BOLT (ROCKER ASSEMBLY)	1				1
10	CONROD	1				1
11	DIAPHRAGM	2			2	
12	RIGHT HAND COVER PLATE	1	29282-1000			
13	KNOB & WASHER ASSY	4	29288-1000			
14	WASHER (STUD)	4			2	
15	LONG STUD	2			2	
16	ROLL PIN	2			2	
17	HANDLE	1	29287-1000			
18	NUT (ROCKER ASSEMBLY)	1				1

Optional Extras Available			
Key	Description	Qty Per Pump	Part no
19	SCREW	6	29289-0000
20	NUT	6	
21	NUT	4	
22	BOLT	4	
23	UNDERDECK BRACKET	1	29279-0000
24	THROUGH DECK KIT	1	



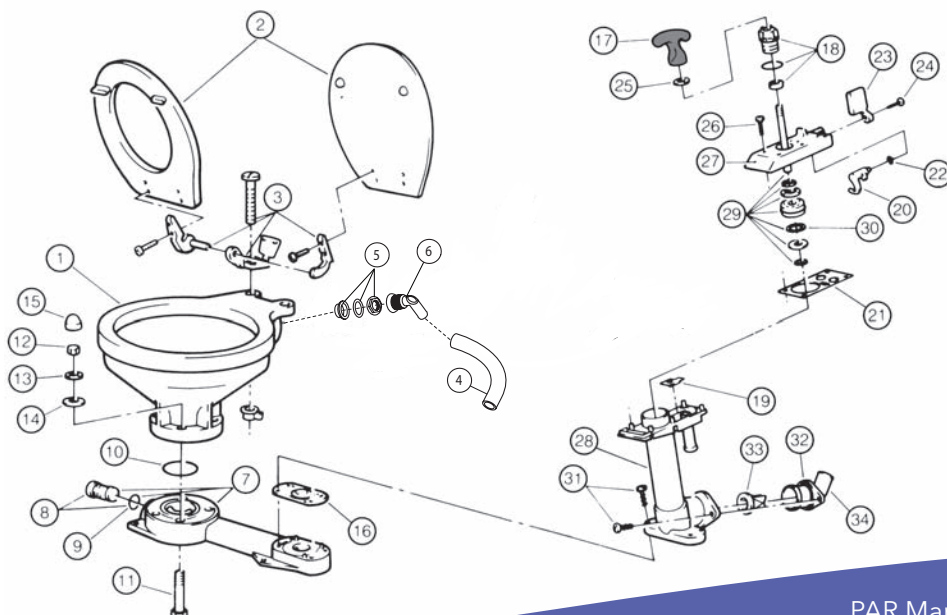
Service Parts 13

PAR MANUAL TOILETS UP TO 1997

29090 & 29120 Series PAR Manual Toilets (up to 1997)

Key	Description	Qty Per Toilet	Part No	Qty per Repair Kit				
				A	B	C	D	E
1	BOWL COMPACT TOILET	1	29096-0000					
	BOWL REGULAR TOILET	1	29126-0000					
2	SEAT, LID & HINGE SET COMPACT TOILET	1	29097-1000					
	REGULAR TOILET		29127-1000					
3	HINGE SET (1 PAIR) COMPACT TOILET	1	29098-1000					
	REGULAR TOILET		29098-2000					
4	HOSE COMPACT TOILET	1	29035-1000					
	HOSE REGULAR TOILET	1	29035-1001					
5	INTAKE SEAL +	1	58107-1000					
6	INTAKE ELBOW							
7	BASE, PLUG + O-RING ASSY	1	29041-1000					
8	PLUG + O-RING ASSY	1						
9	O-RING (PLUG)	1						
10	O-RING (BOWL)	1						1
11	BOLT	4						4
12	NUT	4						4
13	WASHER (S.S)	4						4
14	WASHER (NYLON)	4						4
15	CAP	4		2				4
16	BASE VALVE GASKET	1	29043-0000	1	1		1	
17	HANDLE	1			1	1		
18	SEAL ASSEMBLY	1	29044-0000	1	1	1		
19	TOP VALVE SEAT	1		1	1	1	1	
20	CAM				1	1		
21	TOP VALVE GASKET	1	29042-0000	1	1			
22	O-RING (FLUSH LEVER)	1		1	1	1		
23	FLUSH CONTROL LEVER	1			1	1		
24	SCREW (FLUSH LEVER)	1		1	1	1		
25	BUFFER				1	1		
26	SCREW (VALVE COVER)	6		1	6	6	1	
27	VALVE COVER	1			1	1		
28	PUMP CYLINDER	1			1		1	
29	PISTON, ROD & O-RING ASSY	1	29046-3000		1			
30	O-RING (PISTON)	1		1	1			
31	SCREW (PUMP CYLINDER)	6		1	3		3	
32	DISCHARGE FLANGE	1	29091-1000		1		1	
33	JOKER VALVE	1	29092-1000	1	1		1	
34	DISCHARGE ELBOW	1	29029-1000	1	1		1	

Repair Kits Available		
Kit	Part No	Description
A	29045-0000	MAJOR SERVICE KIT
B	29040-3000	PUMP ASSEMBLY
C	29094-2000	VALVE COVER ASSEMBLY
D	29051-2000	PUMP CYLINDER ASSEMBLY
E	29047-0000	BASE TO BOWL MOUNTING KIT



13 Service Parts

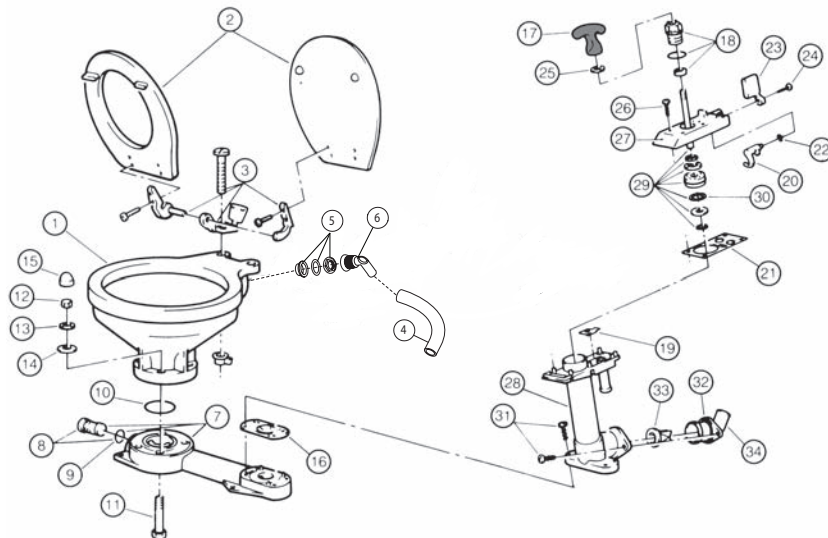
JABSCO MANUAL TOILETS 1998 TO 2007



29090-2 & 29120-2 Series Jabsco Manual Toilets(1998-2007)

Key	Description	Qty Per Toilet	Part No	Qty per Repair Kit				
				A	B	C	D	E
1	BOWL COMPACT TOILET	1	29096-0000					
	BOWL REGULAR TOILET	1	29126-0000					
2	SEAT, LID & HINGE SET COMPACT TOILET	1	29097-1000					
	REGULAR TOILET		29127-1000					
3	HINGE SET (1 PAIR) COMPACT TOILET	1	29098-1000					
	REGULAR TOILET		29098-2000					
4	HOSE COMPACT TOILET	1	29035-1000					
	HOSE REGULAR TOILET	1	29035-1001					
5	INTAKE SEAL +							
6	INTAKE ELBOW	1	58107-1000					
7	BASE, PLUG + O-RING ASSY	1	29041-1000					
8	PLUG + O-RING ASSY (UP TO 2002 - SCREW) (FROM 2003 - BAYONET)	1	29028-2000					
9	O-RING (PLUG)	1						
10	O-RING (BOWL)	1						1
11	BOLT	4						4
12	NUT	4						4
13	WASHER (S.S)	4						4
14	WASHER (NYLON)	4						4
15	CAP	4		2				4
16	BASE VALVE GASKET	1	29043-0000	1	1		1	
17	HANDLE	1			1	1		
18	SEAL ASSEMBLY	1	29044-2000	1	1	1		
19	TOP VALVE SEAT	1		1	1	1	1	
20	CAM	1			1	1		
21	TOP VALVE GASKET	1	29042-0000	1	1			
22	O-RING (FLUSH LEVER)	1		1	1	1		
23	FLUSH CONTROL LEVER	1			1	1		
24	SCREW (FLUSH LEVER)	1		1	1	1		
25	BUFFER	1		1	1			
26	SCREW (VALVE COVER)	6		1	6	6	1	
27	VALVE COVER	1			1	1		
28	PUMP CYLINDER	1			1		1	
29	PISTON, ROD & O-RING ASSY	1	29046-3000		1			
30	O-RING (PISTON)	1		1	1			
31	SCREW (PUMP CYLINDER)	6		1	3		3	
32	DISCHARGE FLANGE	1	29091-1000		1		1	
33	JOKER VALVE	1	29092-1000	1	1		1	
34	DISCHARGE ELBOW	1	29029-1000		1		1	
35	VALVE SPRING	1		1	1	1	1	

Repair Kits Available		
Kit	Part No	Description
A	29045-2000	MAJOR SERVICE KIT
B	29040-3000	PUMP ASSEMBLY
C	29094-2000	VALVE COVER ASSEMBLY
D	29051-2000	PUMP CYLINDER ASSEMBLY
E	29047-0000	BASE TO BOWL MOUNTING KIT



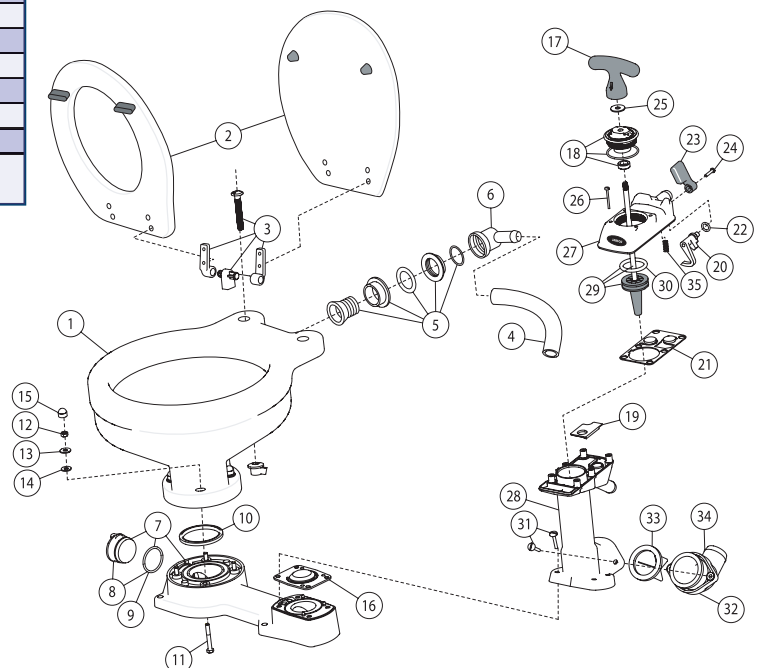
Service Parts 13

JABSCO MANUAL TOILETS 2008 ONWARDS

29090-3 & 29120-3 Series Jabsco Twist 'n' Lock Manual Toilets (2008 onwards)

Key	Description	Qty Per Toilet	Part No	Qty per Repair Kit				
				A	B	C	D	E
1	BOWL COMPACT TOILET	1	29096-0000					
	BOWL REGULAR TOILET	1	29126-0000					
2	SEAT, LID & HINGE SET COMPACT TOILET	1	29097-1000					
	REGULAR TOILET		29127-1000					
3	HINGE SET (1 PAIR) COMPACT TOILET	1	29098-1000					
	REGULAR TOILET		29098-2000					
4	HOSE COMPACT TOILET	1	29035-1000					
	HOSE REGULAR TOILET		29035-1001					
5	INTAKE SEAL +	1	58107-1000					
6	INTAKE ELBOW							
7	BASE, PLUG + O-RING ASSY	1	29041-1000					
8	PLUG + O-RING ASSY (FROM 2003 - BAYONET)	1	29028-2000					
9	O-RING (PLUG)	1						
10	O-RING (BOWL)	1						1
11	BOLT (S.S)	4						4
12	NUT (S.S)	4						4
13	WASHER (S.S)	4						4
14	WASHER (NYLON)	4						4
15	CAP	4		2				4
16	BASE VALVE GASKET	1	29043-0000	1	1		1	
17	HANDLE	1			1	1		
18	SEAL HOUSING ASSY (FROM 2008)	1	29044-3000	1	1	1		
19	TOP VALVE SEAT	1		1	1	1	1	
20	CAM	1			1	1		
21	TOP VALVE GASKET	1	29042-0000	1	1			
22	O-RING (FLUSH LEVER)	1		1	1	1		
23	FLUSH CONTROL LEVER	1			1	1		
24	SCREW (FLUSH LEVER)	1		1	1	1		
25	BUFFER	1		1	1			
26	SCREW (VALVE COVER)	6		1	6	6	1	
27	VALVE COVER	1			1	1		
28	PUMP CYLINDER	1			1	1		
29	PISTON, ROD & O-RING ASSY	1	29046-3000		1			
30	O-RING (PISTON)	1		1	1			
31	SCREW (PUMP CYLINDER)	6		1	3		3	
32	DISCHARGE FLANGE	1	29091-1000		1	1		
33	JOKER VALVE	1	29092-1000	1	1	1		
34	DISCHARGE ELBOW	1	29029-1000		1	1	1	
35	VALVE SPRING (ONLY FROM 1998)	1		1	1	1	1	

Repair Kits Available		
Kit	Part No	Description
A	29045-3000	SERVICE KIT (FROM 2008)
B	29040-3000	PUMP ASSEMBLY
C	29094-3000	VALVE COVER ASSEMBLY
D	29051-2000	PUMP CYLINDER ASSEMBLY
E	29047-0000	BASE TO BOWL MOUNTING KIT



13 Service Parts

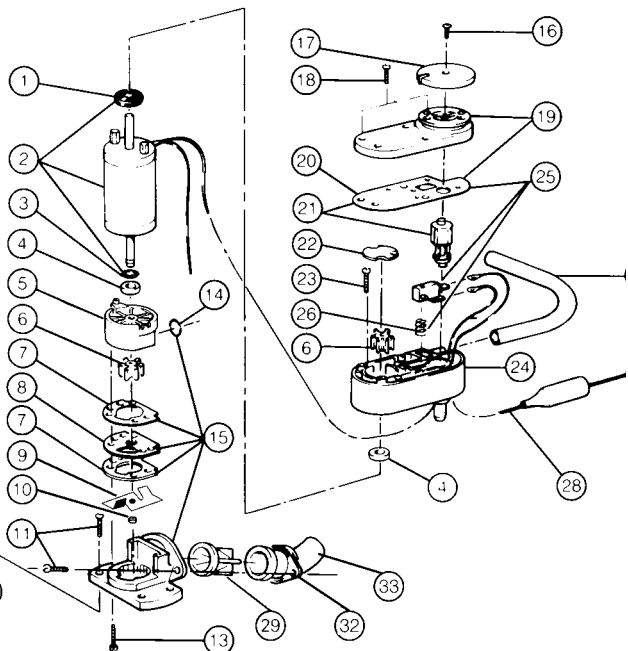
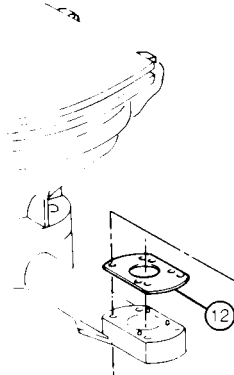
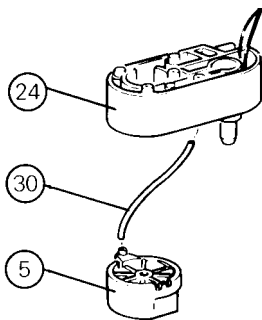
ELECTRIC CONVERSION FOR MANUAL TOILETS



29200 Series Electric Conversion for Manual Toilets

Key	Description	Qty per Conversion	Part No	Qty per Repair Kit		
				A	B	C
1	SLINGER (LARGE)	1				
2	MOTOR ASSEMBLY 12V	1	29108-0120			
	MOTOR ASSEMBLY 24V	1	29108-0240			
3	SLINGER (SMALL)	1		1		
4	SEAL	2		2		2
5	WASTE PUMP BODY	1				1
6	IMPELLER	2		2		
7	GASKET (PAPER)	2		2	2	2
8	WEARPLATE (STAINLESS STEEL)	1			1	
9	CHOPPER PLATE					
10	LOCK NUT	1	37056-1000			
11	MOUNTING SCREW (PAR)			1		1
12	BASE GASKET (RUBBER)	1	29072-1000			
13	SCREW (WASTE PUMP)	4			4	
14	O-RING	1		1		1
15	MACERATOR HOUSING	1	29071-1000			
16	SCREW (CONTROL KNOB)	1		1	1	1
17	CONTROL KNOB	1	29077-1000			
18	SCREW (FLUSH PUMP COVER)	7		1	7	1
19	FLUSH PUMP COVER ASSY	1	29081-1000			
20	FLUSH PUMP GASKET (CORK)	1	29075-1000	1		1
21	CONTROL VALVE ASSY	1	29083-1000			
22	WEARPLATE (BRASS)	1			1	
23	SCREW (FLUSH PUMP)	2		1	2	1
24	FLUSH PUMP BODY	1				1
25	SWITCH ASSY	1	29103-1000	1		
26	SWITCH SPRING	1				1
27	HOSE (ALL TOILETS)	1	29035-1000			
28	CABLE ASSY (WITHOUT FUSE)	1	29106-1000			
29	JOKER VALVE	1	29092-1000			
30	BLEED HOSE	1	29019-1010	1		1
31	PUMPGARD™	1	46400-0000			
32	DISCHARGE FLANGE	1	29091-1000			
33	DISCHARGE ELBOW	1	29029-1000			

Repair Kits Available		
Kit	Part No	Description
A	29101-0000	SERVICE KIT
B	29109-0000	HARDWARE KIT
C	29116-1000	WASTE & FLUSH PUMP BODIES



Service Parts 13

ELECTRIC TOILETS

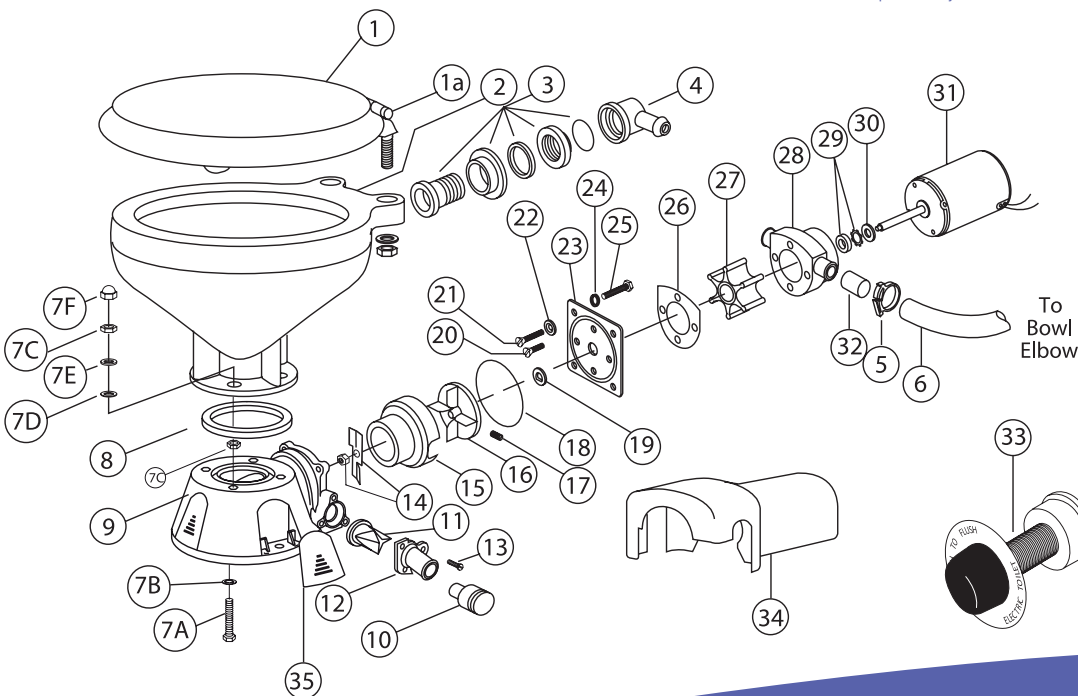
37010 Series Electric Toilets

Key	Description	Qty per Toilet	Part No
1	Seat & Cover, Compact Size	1	29097-1000
	Seat & Cover, Regular Size	1	29127-1000
1A	Hinge Set (1 pair)	1	
	Compact Toilet		29098-1000
	Regular Toilet		29098-2000
2	Bowl, Compact Size	1	29096-0000
	Bowl, Regular Size	1	29126-0000
3&4	Bowl Spud & Intake	1	58107-1000
	Elbow & O-ring		
5	Hose Clip	1	
6	Hose	1	29035-1001
7	Bowl Installation Hardware	1	18753-0637
	7A Philips Head Screw**	4	
	7B Washer, Starlock**	4	
	7C Hex Nut** (two places)	4	
	7D Washer, Plastic**	4	
	7E Washer Stainless steel**	8	
	7F Nut Cap**	4	
8	O-Ring Bowl/Seal	1	44101-1000

Key	Description	Qty per Toilet	Part No
9	Base Assembly**	1	37004-1000
10	1"-1/2" Hose Adaptor	1	98023-0080
11	Joker Valve* **	1	44106-1000
12	1" Discharge Port**	1	44107-1000
13	Screw**	3	96050-0568
14	Chopper Plate† with Lock Nut	1	37056-1000
15	Macerator Housing†	1	37014-0000
16	Centrifugal Impeller†	1	37006-0000
17	Set Screw†	1	91084-0320
18	O-ring*†	1	43990-0066
19	Sealing Sleeve†	1	37036-1000
20	Screw†	2	91009-0096
21	Screw†	2	91010-0130
22	Washer, Plastic*†	2	35445-0000
23	Wearplate††	1	37018-0000
24	Lock Washer #10, Stainless Kit†	4	
25	Screw†	4	91027-0011
26	Gasket*†	1	12558-0000
27	Flexible Impeller*†	1	6303-0003
28	Body†	1	12554-0000
29	Seal & Retainer*†	1	1040-0000
30	Slinger†	1	6342-0000
31	Motors:		
	Motor – 12 Volt†	1	37064-0000
	Motor – 24 Volt†	1	37065-0000
32	Adaptor	2	93003-0240
33	Switch and Plate	1	37020-0000
34	Motor Cover†	1	43990-0051
35	Screw Cover (3 each)	1	37003-1000
	Service Kit:		37040-0000
	Motor/Pump Assy. 12V†		37041-0010
	Motor/Pump Assy. 24V†		37041-0011



* Parts supplied with Service Kit 37040-0000.
 ** Parts included with base 37004-1000.
 † Wearplate #23 includes Sealing Sleeve #19 and Pump/Base O-ring #18.
 ‡ Parts included in Motor-Pump Assembly.



13 Service Parts

QUIET FLUSH ELECTRIC TOILETS



37045 & 37245 Series Quiet Flush Toilets

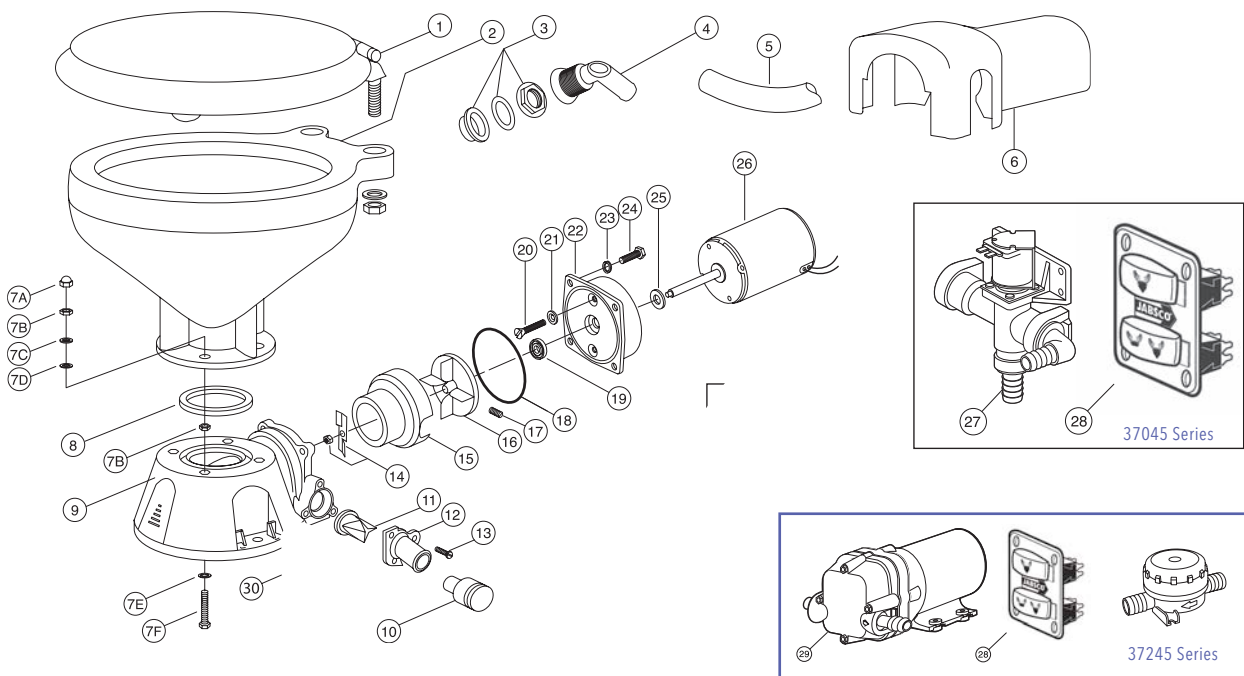
Key	Description	Qty per Toilet	Part No
1	SEAT & COVER, COMPACT SIZE	1	29097-1000
	SEAT & COVER, REGULAR SIZE	1	29127-1000
1A	HINGE SET (1 PAIR)	1	
	COMPACT TOILET		29098-1000
	REGULAR TOILET		29098-2000
2	BOWL, COMPACT SIZE	1	29096-0000
	BOWL, REGULAR SIZE	1	29126-0000
3	INTAKE SEAL	1	58107-1000
4	INTAKE ELBOW & O-RING	1	58107-1000
5	HOSE, 6 FEET	1	29035-1031
6	MOTOR COVER	1	37042-1000
7	BOWL INSTALLATION HARDWARE	1	18753-0637
	7A NUT CAP**	4	
	7B HEX NUT**	4	
	7C WASHER, STAINLESS STEEL**	4	
	7D WASHER, PLASTIC**	4	
	7E HEX HEAD SCREW**	4	

Key	Description	Qty per Toilet	Part No
8	O-RING*	1	44101-1000
9	BASE ASSEMBLY**	1	37004-1000
10	1"- 1/2" HOSE ADAPTOR	1	98023-0080
11	JOKER VALVE***	1	44106-1000
12	1"- 1/2" HOSE ADAPTOR	1	44107-1000
13	SCREW**	3	96050-0568
14	CHOPPER PLATE WITH LOCK NUT	1	37056-1000
15	MACERATOR HOUSING	1	37014-0000
16	CENTRIFUGAL IMPELLER	1	37006-0000
17	SET SCREW	1	91084-0320
18	O-RING*	1	43990-0066
19	SEAL	1	1040-0000
20	SCREW	2	
21	WASHER, PLASTIC*	2	35445-0000
22	SEAL HOUSING	1	37043-1000
23	LOCK WASHER, STAINLESS STEEL	4	
24	SCREW	4	91027-0011
25	SLINGER	1	6342-0000
26	MOTOR - 12 VOLT	1	18753-0554
	MOTOR - 24 VOLT	1	18753-0555
27	SOLENOID VALVE & SYPHON BREAKER		
	12 VOLT	1	37038-1012
	24 VOLT	1	37038-1024
28	SWITCH PANEL	1	37047-2000
29	RINSE PUMP 12 VOLT	1	31631-0092
	RINSE PUMP 24 VOLT	1	31631-0094
30	SCREW COVER (3 EACH)	1	37003-1000
31	PUMPGARD	1	46400-0000
	SERVICE KIT		90197-0000
	MOTOR & WASTE PUMP ASSY 12V	1	37072-0092
	MOTOR & WASTE PUMP ASSY 24V	1	37072-0094



*Parts Supplied with Service Kit. **Parts included with base 37004-1000.

37045 exploded view



See page 160 for pump exploded view.

Service Parts 13

DESIGNER STYLE ELECTRIC TOILETS - DISCONTINUED

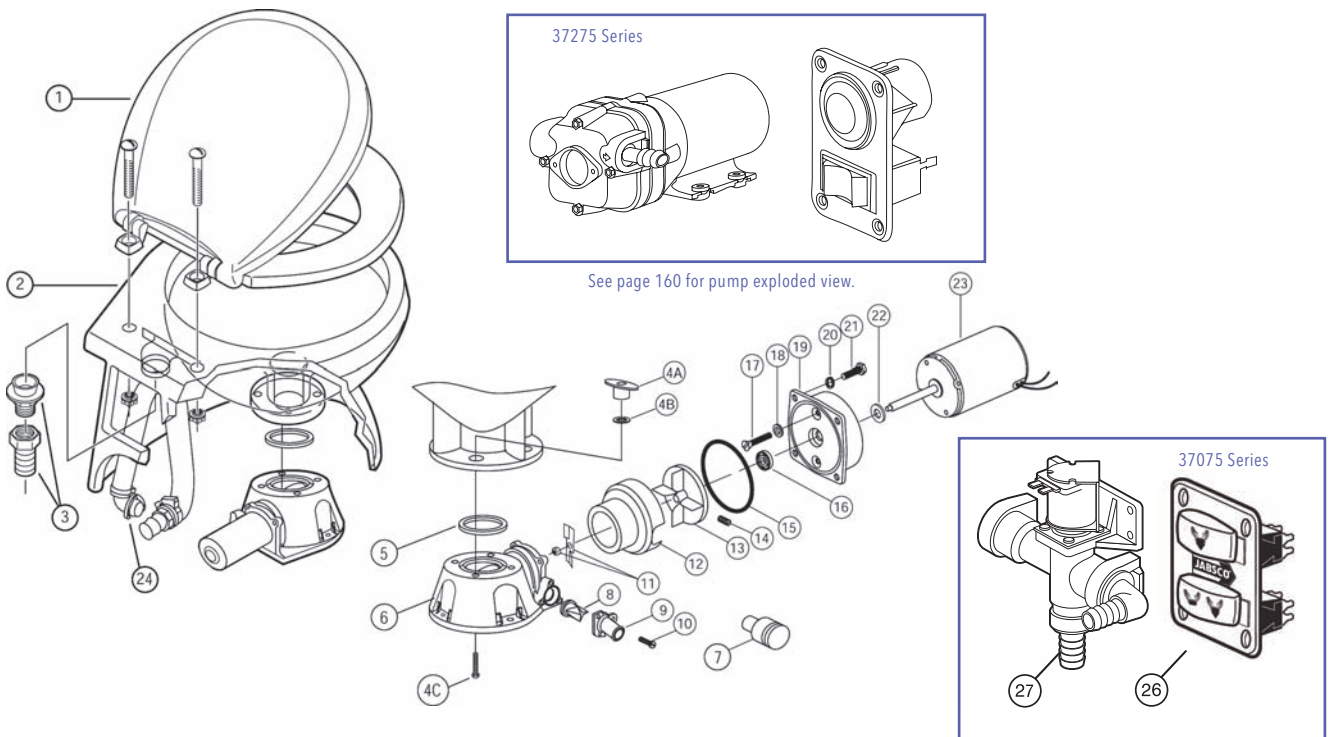
37275 & 37075 Series Designer Style Electric Toilets

Key	Description	Qty per Toilet	Part No
1	Seat and Cover	1	37078-1000
2	Bowl, Compact Size, White	1	37076-0010
3	Bowl Spud and 1/2" barbed adaptor	1	18753-0609
4	Bowl Installation Hardware	1	18753-0604
4A	Tee Nut**	4	
4B	Washer, Plastic**	4	
4C	Socket Head Screw **	4	
5	Gasket*	1	37017-0000
6	Base Assembly**	1	37004-1000
7	1"- 1 1/2" Hose Adaptor	1	98023-0080
8	Joker Valve* **	1	44016-1000
9	1" Discharge Port**	1	37077-1000

Key	Description	Qty per Toilet	Part No
10	Screw**	3	96050-0568
11	Chopper Plate with Lock Nut	1	37056-1000
12	Macerator Housing	1	37014-0000
13	Centrifugal Impeller	1	37006-0000
14	Set Screw	1	91084-0320
15	O-ring*	1	43990-0066
16	Seal	1	1040-0000
17	Screw	2	
18	Washer, Fibre*	2	35445-0000
19	Seal Housing	1	37043-1000
20	Lock Washer #10, Stainless Steel	4	
21	Screw	4	91027-0011
22	Slinger	1	6342-0000
23	Motor – 12 Volt	1	18753-0554
	Motor – 24 Volt	1	18753-0555
24	Evacuation Hose Kit	1	37087-0000
25	Rinse Pump		
	12 Volt EMC	1	31631-0092
	24 Volt EMC	1	31631-0094
26	Switch Panel	1	37047-2000
	Service Kit	1	90197-0000
	Motor & Waste Pump Assembly		
	12 Volt	1	37072-0092
	24 Volt	1	37072-0094
27	Solenoid Valve & Syphon Breaker		
	12 Volt	1	37038-1012
	24 Volt	1	37038-1024
28	Pumpgard	1	46400-0000



*Parts supplied with Service Kit. **Parts included with base 37004-1000.



13 Service Parts

DELUXE FLUSH 14" AND 17" ELECTRIC TOILETS

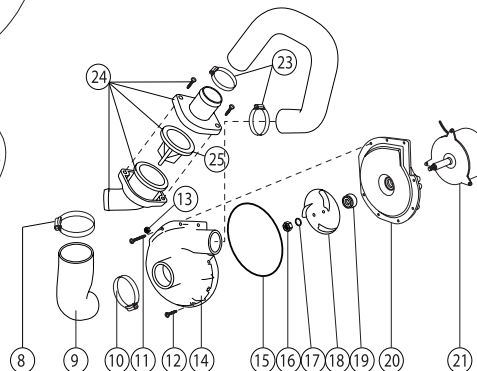
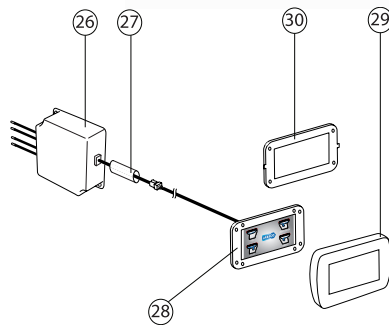
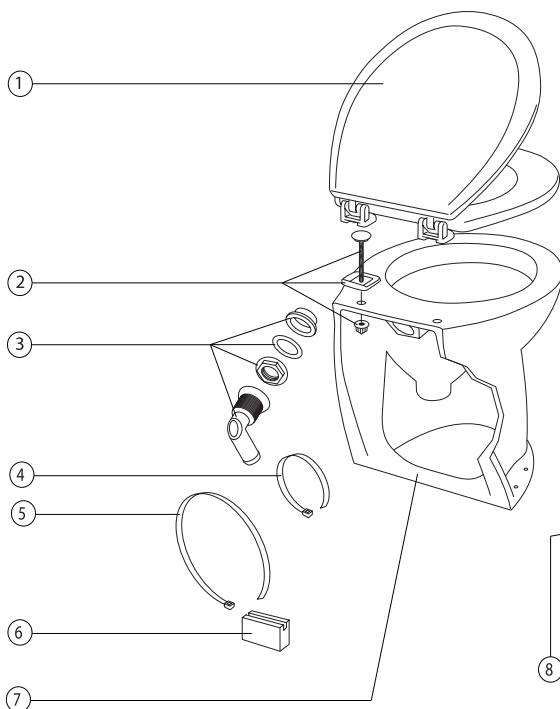


58060, 58260, 58080, 58280 Deluxe Flush 14" Toilets

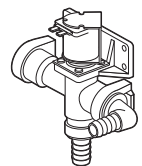
Key	Description	Qty per toilet	Part No	Qty per Service Kit		
				A	B	C
1	SEAT & LID SET	1	58104-1000			
2	HINGE KIT, PAIR	1	58105-1000			
3	RINSE INTAKE SEAL & ELBOW	1	58107-1000			
4	SUPPORT STRAP, DISCHARGE HOLE	1	SEE KITS	1	1	
5	SUPPORT STRAP, MOTOR	1	SEE KITS	1	1	
6	SUPPORT BLOCK, MOTOR	1	SEE KITS	1	1	
7	14" BOWL, ANGLED BACK	1	58048-1000			
	14" BOWL, VERTICAL BACK	1	58068-1000			
	17" BOWL, ANGLED BACK	1	58028-1000			
	17" BOWL, VERTICAL BACK	1	58038-1000			
8	HOSE CLIP LARGE	1	SEE KITS	1	1	
9	INLET HOSE, FLUSH PUMP	1	SEE KITS	1	1	
10	HOSE CLIP, MEDIUM	1	SEE KITS	1	1	
11	SCREW, LONG	4	SEE KITS	1	4	
12	SCREW, SHORT	3	SEE KITS	1	3	
13	NUT	7	SEE KITS	2	7	
14	PUMP BODY, UPPER	1	SEE KITS		1	
15	RING SEAL	1	SEE KITS	1	1	
16	NUT	1	SEE KITS	1	1	
17	WASHER	1	SEE KITS	1	1	
18	IMPELLER	1	SEE KITS		1	
19	CERAMIC SEAL	1	SEE KITS	1	1	
20	PUMP BODY, LOWER	1	SEE KITS	1	1	
21	MOTOR 12v	1	SEE KITS		1	
	MOTOR 24v	1	SEE KITS		1	
22	OUTLET HOSE, PUMP	1	SEE KITS	1	1	
23	CLIP, SMALL	2	SEE KITS	2	2	
24	NON-RETURN VALVE ASSEMBLY	1	58109-1000			
25	JOKER VALVE	1	29092-1000			
26	CONTROL BOX - ELECTRONICS	1	SEE KITS			1
27	HEAT SHRINK SLEEVE, CONTROL CABLE	1	SEE KITS			1
28	PANEL	1	SEE KITS			1
29	JABSCO WHITE FASCIA PANEL	1	SEE KITS			1
30	ADAPTER PLATE	1	SEE KITS			1

Key	Description	Qty per toilet	Part No	Qty per Service Kit		
				A	B	C
31	SOLENOID VALVE, 12v	1	37038-1012			
	SOLENOID VALVE, 24v	1	37038-1024			
32	RINSE PUMP 12v	1	31331-0092			
	RINSE PUMP 24v	1	31331-0094			
33	PUMP GUARD	1	46400-9500			

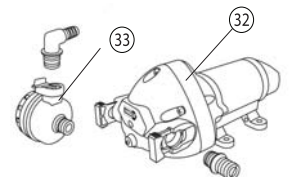
Service Kits Available		
Kit	Part No	Description
A	58100-2000	MAJOR SERVICE KIT
B	58103-1012	PUMP ASSEMBLY, 12v
	58103-1024	PUMP ASSEMBLY, 24v
C	58029-1000	CONTROL KIT



58060 Series
58080 Series



58260 Series
58280 Series



Service Parts 13

DELUXE FLUSH 17" ELECTRIC TOILETS *UNTIL 2009

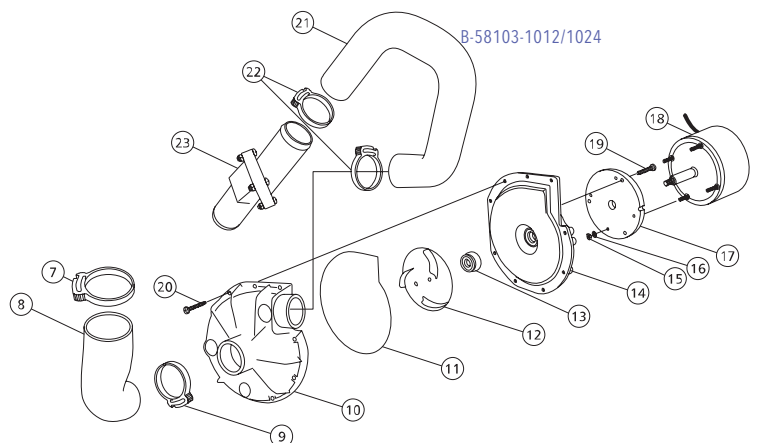
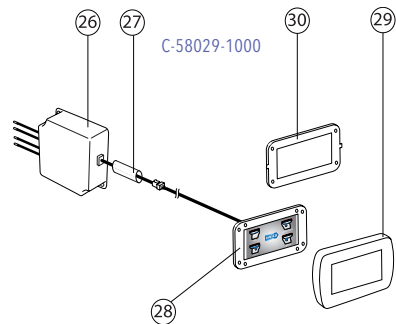
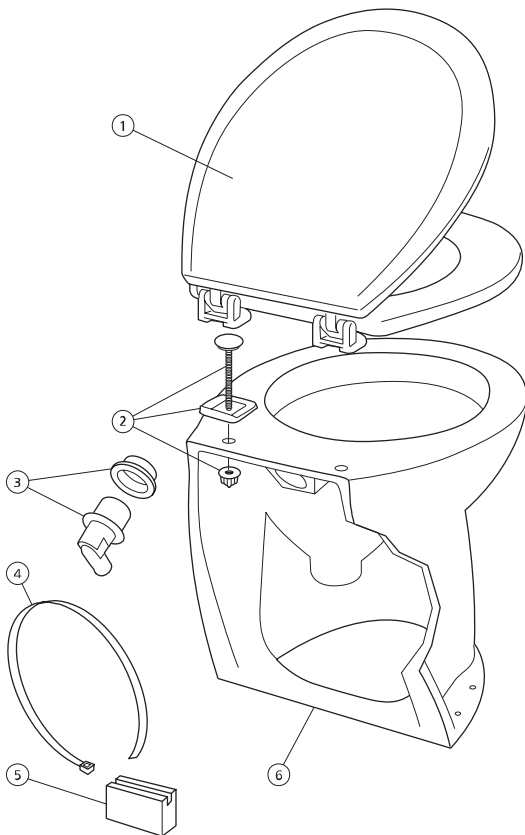
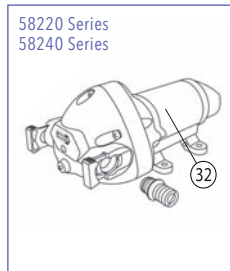
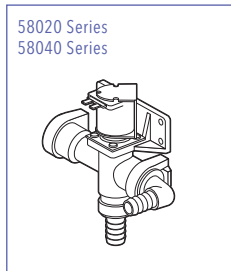
In 2009 the design of the Deluxe Flush Pump Assembly and Control Panel was updated.

If you have a toilet manufactured before 2010 and want to purchase a service kit you need part number 58100- 1000 - there are different size hoses used on the different designs.

The design of the pump assembly (B) was changed but you can purchase the new pump design, see previous page.

The style of the control kit (C) was also updated but the new design can be used to replace this, see previous page.

58020, 58220, 58040, 58240 Deluxe Flush 17" Toilets		
Repair Kits Available		
Kit	Part No	Description
A	58100-1000	MAJOR SERVICE KIT
B	58103-1012	PUMP ASSEMBLY, 12V
	58103-1024	PUMP ASSEMBLY, 24V
C	58029-1000	CONTROL KIT



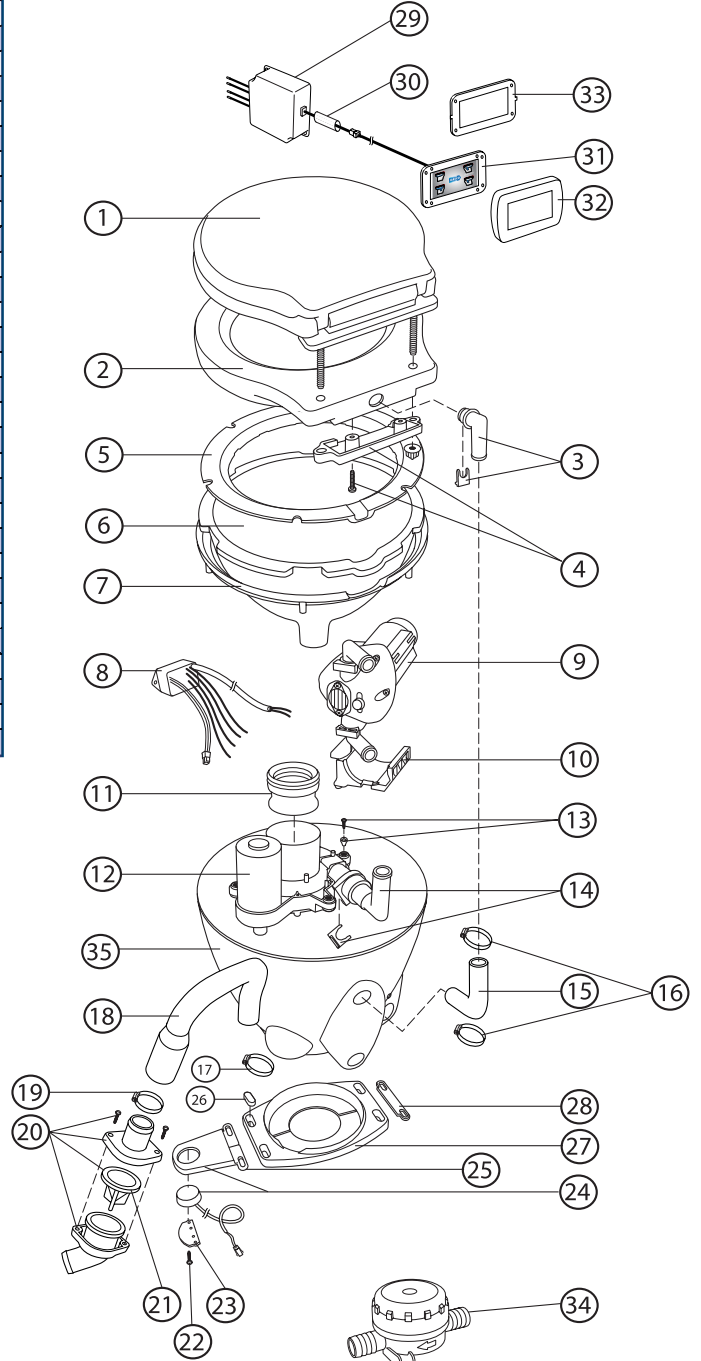
13 Service Parts

LITE FLUSH ELECTRIC TOILETS

58500 Series Lite Flush Toilets

Key	Description	Qty Per Toilet	Part No	Qty per Repair Kit			
				A	B	C	D
1	SEAT AND LID	1	58530-1000B				
2	TOP	1					
3	INTAKE ELBOW AND CLIP	1					
4	SEAT AND LID CLAMP KIT	1					
5	TOP BOWL SEAL	1	58514-1000				
6	CERAMIC BOWL	1					
7	CLAMP RING	1					
8	CONTROL BOX (FOOTSWITCH)	1	SEE KITS				1
9	RINSE PUMP 12V	1	31331-0092				
10	RINSE PUMP 24V	1	31331-0094				
11	RINSE PUMP BRACKET	1					
12	BOWL OUTLET SEAL	1	SEE KITS			1	
13	PUMP ASSEMBLY 12V	1	SEE KITS			1	
14	PUMP ASSEMBLY 24V	1	SEE KITS				
15	PUMP ASSY FIXINGS	4	SEE KITS			1	
16	DISCHARGE ELBOW AND CLIP	1	SEE KITS			1	
17	INLET HOSE	1	SEE KITS	1			
18	SMALL HOSE CLIP	2					
19	MEDIUM HOSE CLIP	1					
20	OUTLET HOSE	1	SEE KITS	1			
21	LARGE HOSE CLIP	1					
22	NON RETURN VALVE ASSEMBLY	1	58109-1000				
23	JOKER VALVE	1	29092-1000				
24	SCREW, FOOTSWITCH	2					
25	SWITCH SUPPORT	1					
26	FOOTSWITCH	1	SEE KITS				1
27	SWITCH MOUNT	1					
28	SCREW COVERS	4					
29	BASE	1					
30	FOOT PANEL BLANK	1	SEE KITS			1	2
31	CONTROL BOX	1	SEE KITS				1
32	HEAT SHRINK SLEEVE	1	SEE KITS				1
33	PANEL	1	SEE KITS				1
34	JABSCO WHITE FASCIA PANEL	1	SEE KITS				1
35	ADAPTOR PLATE	1	SEE KITS				1
36	PUMPGARD	1	46400-0000				

Repair Kits Available		
Kit	Part No	Description
A	58550-1000	HOSE KIT
B	58540-1012	PUMP ASSEMBLY KIT 12V
	58540-1024	PUMP ASSEMBLY KIT 24V
C	58555-1000	CONTROL KIT (FOOTSWITCH)
D	58552-1000	CONTROL KIT (PANEL)
	58541-1000	PULLEY AND BELT KIT





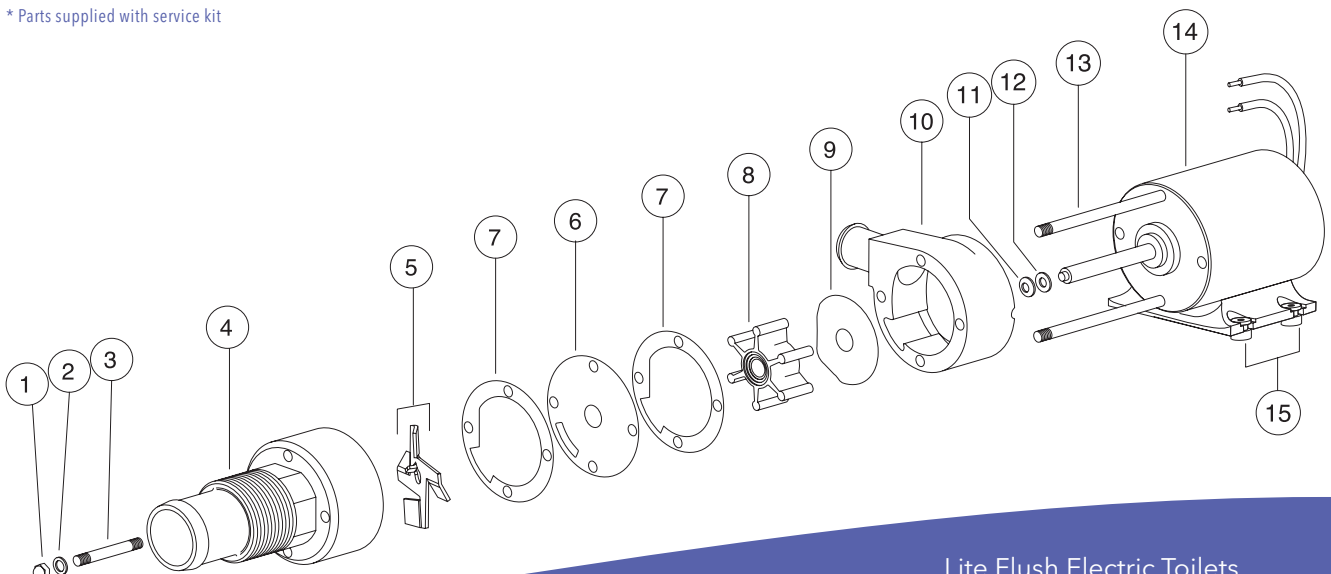
Service Parts 13

18590 SERIES RUN-DRY MACERATOR PUMP

18590 Series Run-Dry Macerator Pump			
Key	Description	Qty	Part No
1	ACORN NUT	4	91085-0340
2	FIBER WASHER*	4	SP1613-0140
3	STUD*	2	17288-0010
4	MACERATOR HOUSING	1	18594-1000
5	CHOPPER BLADE KIT	1	37056-2000
6	WEARPLATE, LARGE	1	18597-1000
7	GASKETS (2 EACH PER KIT)*	1	18596-1000
8	IMPELLER*	1	6303-0003
9	WEARPLATE, SMALL	1	12316-1002
10	BODY*	1	18593-1000
11	SEAL*	1	1040-0000
12	SLINGER	1	6342-0000
13	STUD	2	17288-0000
14	MOTOR 12 VOLT	1	17246-1012
	MOTOR 24 VOLT	1	17246-1024
15	GROMMETS (SET OF 4)	1	92900-0120
	SERVICE KIT	1	18598-1000



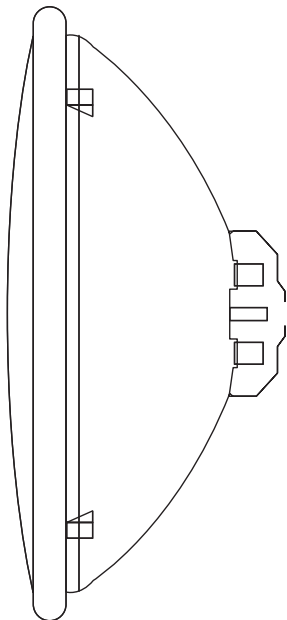
* Parts supplied with service kit



13 Service Parts

REPLACEMENT BULB GUIDE

Chrome Remote Control Searchlights					
Dia-meter "/mm	Searchlight Model	Volts	Watts	Candle Power x 1000	Sealed Beam Number
SEALED BEAMS FOR CURRENT SERIES					
5"	61022, 62022-Series	12	100	100/50	67296-0000
130	61026, 62026-Series				
6"	63020, 63022-Series	12/24	100	200/50	64046-0006
150					
7"	61040, 62040-Series	12	100/100	200/50	67262-0000
180		24	170	230	18753-0447
8"	61042, 62042-Series	24	250	500	98040-0520
200					
SEALED BEAM BULBS FOR OLDER LIGHTS (NOT IN CATALOGUE)					
5"	61020-Series				
130	61024-Series	12	100/100	100/50	
	61025-Series				67296-0000
7"	43630-Series,	12	100	49	43990-0048
180		24	450	450	66165-0000
	40017,40027,40170	12	100	49	43990-0048
	40173,40244,40324	24	400	200/50	66165-0000
	61041-3002	24	400	200/50	66165-0000
5 3/4"	40014, 40025,	12	N/A	75	98040-0020
145	40049				
HALOGEN BULBS - SEALED BEAM					
5"	61025-4008	12	55	N/A	43990-0022
130					
5"	61026-4008	12	55	N/A	43990-0022
130					
XENON BULBS					
7"	62040-4002X	12	35	680	1000215-01K
180	62040-4006X	24	35	680	1000215-01K



Sealed Beam Bulb

Plastic Remote Control Lights					
Model	Volts	Watts	Amps	Candle Power	Bulb Number
135 SL					
60020-0000	12	50	4	100,000	18753-0178
60020-0024	24	50	2	100,000	18753-0178
155 SL					
61050-0080	12	50	5	100,000	18753-0528
61050-1224	12/24	50	5	100,000	18753-0528
146 SL					
60080-0012	12	50	4	175,000	18753-0455
60080-0024	24	50	2	175,000	18753-0455
233 SL					
60233-1224H	12/24	55	5	225,000	1000193-01K
255 SL					
60010-0012/2012	12	50	4	200,000	18753-0336
60010-0024/2024	24	50	2	200,000	18753-0336
DOCKING LIGHTS (OBSOLETE)					
42440-0000	12	100	7.5 (each)		18753-0287
42440-0024	24	150	4.0 (each)		18753-0462

Penet-Ray Projector Bulbs for Obsolete Reflector Lights					
Dia-meter "/mm	Searchlight Model	Volts	Watts	Candle Power x 1000	Bulb Number
6 1/2"	40915,40018,40122	12	72	N/A	98039-0020
165	40500,40503,40533				
Thru	40544,40577,40703, 40733,40744,40800	32	115	N/A	98039-0060
10"	40803,40833,40844,				
255	40877				
6"	63042-0012	12	35	600	64046-0007
150	63042-0024	24	35	600	64046-0008

