

CONTEMPO SERIES

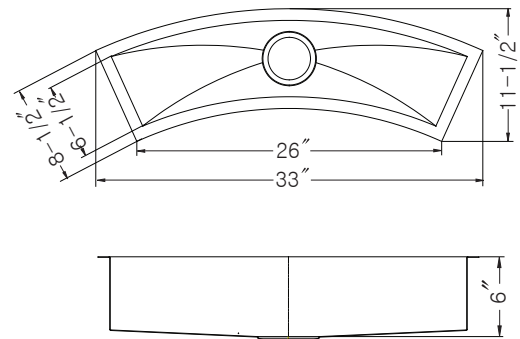
Zero Radius Undermount Curved Trough Bar/Prep Bowl Model CTC-3312



CTC-3312

FEATURES

- Premium grade T-304 stainless steel
- 6" depth • 18 gauge
- MegaShield™ insulation
- True zero radius ledge and bottom
- Brushed satin • 3-1/2" drain opening
- Fits 36" sink base
- Supplied with cutout template, fasteners and instructions
- cUPC® Listed
- Lifetime Limited Warranty



OPTIONAL ACCESSORIES

Strainer: 190-9180

Wire rack : BG-1308

OVERALL DIMENSIONS	EACH BOWL	CUTOUT SIZE	PACKAGING*	WEIGHT*
33" x 11-1/2"	26" x 6-1/2"	See Template	1/16 pcs.	20/350 lbs.

*Standard packaging: Single boxed /Pallet of single boxed.
All dimensions are in inches. Specifications subject to change without notice.

Project/Job name

Architect/Engineer

Contractor

Model

Q'ty

Notes

Installation profile

