

 **West Marine**®

# Owner's Manual

## Speakers



**5" / 6.5" Full Range  
2-Way Speakers**

Model 18006627 / Model 18006619

## Preparation/Installation

Please read entire manual before installation.

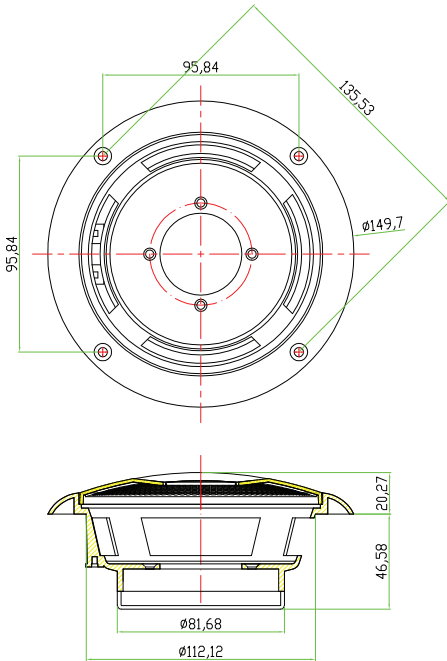
### Before You Start

- Disconnect negative battery terminal. Consult a qualified technician for instructions.
- Use extreme caution when drilling holes to avoid damaging fuel lines, hydraulic lines or existing wiring.
- If additional wiring is required, we recommend that you run all wires prior to mounting your speaker in place.
- Use the highest quality connectors for a reliable installation and to minimize signal and power loss.
- Use caution before you drill or cut! Be careful not to cut or drill into gas tanks, fuel lines, hydraulic lines, vacuum lines or electrical wiring.
- Avoid running wires over, near, or through sharp edged surfaces. We suggest you also use rubber grommets to protect any wires routed through metal.

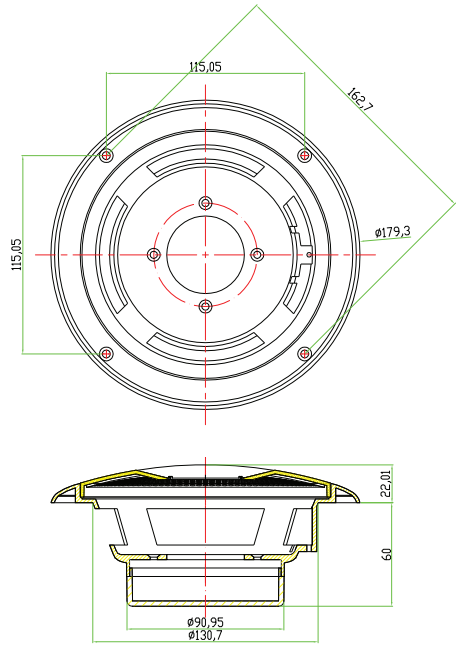
### Mounting and Installation

- Determine where the speakers will be mounted. Ensure an area large enough for the speaker to mount evenly. Be sure the mounting location is deep enough for the speaker to fit.
- Using an appropriate tool, cut a 4 3/8" diameter mounting hole (Model 18006619) or 5 1/4" diameter mounting hole (Model 18006627).
- Use the speaker as a template to mark the locations for the mounting screws. Drill the mounting screw holes with a 1/8" pilot bit. Route speaker wires and connect to speakers, observing speaker polarity.
- Install speaker into opening using supplied hardware and test for correct operation.

## Mounting Diagrams



**Model 18006619**



**Model 18006627**

The diagrams featured above are to be used in conjunction with the specifications on Page 4.

## Specifications

### Model 18006619

<b>Power</b>	80 Watts Peak 20 Watts RMS
<b>Sensitivity</b>	83dB
<b>Frequency Response</b>	110-20kHz
<b>Impedance</b>	4 Ohms
<b>Tweeter</b>	30mm PEI dome Ferrite
<b>Magnet</b>	Ferrite, 5.2 oz.
<b>Dimensions</b>	Outside: 5 7/8" (14.9 cm) Mounting depth: 1 3/4" (4.6 cm) Mounting height: 3/4" (2 cm) Cutout diameter: 4 3/8" (11.2 cm)

### Model 18006627

<b>Power</b>	120 Watts Peak 30 Watts RMS
<b>Sensitivity</b>	85dB
<b>Frequency Response</b>	85-20kHz
<b>Impedance</b>	4 Ohms
<b>Tweeter</b>	35mm PEI dome Ferrite
<b>Magnet</b>	Ferrite, 7.6 oz.
<b>Dimensions</b>	Outside: 7 1/16" (17.9 cm) Mounting depth: 2 7/16" (6.01 cm) Mounting height: 7/8" (1.9 cm) Cutout diameter: 5 1/4" (13.2 cm)

## West Marine Limited Warranty

### What Does This Limited Warranty Cover?

West Marine warrants to the original retail purchaser of the West Marine product, where the purchase is made in the United States, that the product will be free from defects in materials and craftsmanship with only the limitations or exclusions set out below.

### How Long Does This Limited Warranty Last?

This limited warranty is valid for twelve (12) months from the date of the original retail purchase from West Marine within the United States (the "Limited Warranty Term").

The warranty period is not extended if we repair or replace a warranted product or any parts. West Marine reserves the right to change the availability of limited warranties, at its discretion, but any changes will not be retroactive and will only apply to subsequent purchases.

### What Does This Limited Warranty Not Cover?

This limited warranty does not cover:

- Software.
- Commercial or industrial use or operation.
- Normal maintenance items or normal wear and tear.
- Problems resulting from fire or submergence in water or other liquids.
- If the product was damaged, modified or altered by you.
- If the product was used as part of any conversion kits, subassemblies, or any configurations not appropriate or contemplated for this product or its use.
- If damage or loss occurring during return shipment of the product to West Marine or its authorized service representative.
- If the product was subject to improper service, repair, installation, storage, maintenance, alteration or application.
- Problems that result from accident, neglect, abuse, misuse or issues with electrical power.
- Problems caused by accessories, parts or components added to the product that are not appropriate for this product or its use.

THIS LIMITED WARRANTY GIVES YOU SPECIFIC LEGAL RIGHTS, AND YOU MAY ALSO HAVE OTHER RIGHTS WHICH VARY FROM STATE TO STATE (OR JURISDICTION TO JURISDICTION). WEST MARINE'S RESPONSIBILITY FOR MALFUNCTIONS AND DEFECTS IN HARDWARE IS LIMITED TO REPAIR OR REPLACEMENT AS SET FORTH IN THIS WARRANTY STATEMENT. ALL EXPRESS AND IMPLIED WARRANTIES FOR THE PRODUCT INCLUDING, BUT NOT LIMITED TO, ANY IMPLIED WARRANTIES AND CONDITIONS OF MERCHANTABILITY AND FITNESS FOR A PARTICULAR PURPOSE, ARE LIMITED IN TIME TO THE LIMITED WARRANTY TERM (AS SPECIFIED ABOVE). NO WARRANTIES, WHETHER EXPRESS OR IMPLIED, WILL APPLY AFTER THE LIMITED WARRANTY TERM HAS EXPIRED. SOME STATES DO NOT ALLOW LIMITATIONS ON HOW LONG AN IMPLIED WARRANTY LASTS, SO THE ABOVE LIMITATIONS MAY NOT APPLY TO YOU.

WE DO NOT ACCEPT LIABILITY BEYOND THE REMEDIES PROVIDED FOR IN THIS LIMITED WARRANTY OR FOR CONSEQUENTIAL OR INCIDENTAL DAMAGES INCLUDING, WITHOUT LIMITATION, ANY LIABILITY FOR THIRD-PARTY CLAIMS AGAINST YOU FOR DAMAGES, FOR PRODUCTS NOT BEING AVAILABLE FOR USE, FOR PERSONAL INJURY AND/OR FOR LOST PROPERTY, DATA OR SOFTWARE. OUR LIABILITY AND THE MAXIMUM AMOUNT FOR WHICH WE ARE RESPONSIBLE WILL BE NO MORE THAN THE AMOUNT YOU PAID FOR THE PRODUCT THAT IS THE SUBJECT OF A CLAIM. SOME STATES DO NOT ALLOW THE EXCLUSION OR LIMITATION OF INCIDENTAL OR CONSEQUENTIAL DAMAGES, SO THE ABOVE LIMITATION OR EXCLUSION MAY NOT APPLY TO YOU.

### What Must I Do To Keep the Warranty in Effect?

- You must keep your receipt or other appropriate documentation as proof of the date of sale and purchase.
- You must keep your serial number or order number for the product. This is found on the product itself or on your receipt.
- You must not do any of the things that will make the warranty invalid as provided for in this warranty statement.
- You must use, install, maintain and operate the product in accordance with published specifications and the user's manual.

# West Marine Limited Warranty

## What Do I Do If I Need Warranty Service?

- Before the warranty expires, please call us at 1-800-BOATING. Please also have your West Marine serial number or order number available.
- When you contact us, we will issue a Return Material Authorization Number for you to include with your return. We will also provide you the address of where to ship the product.
- You must return the product to us in its original or equivalent packaging, prepay shipping charges, and insure the shipment or accept the risk if the product is lost or damaged in shipment.

## What Will West Marine Do?

During the Limited Warranty Term, if the product you return to us proves to be defective in materials or workmanship and not for the reasons which would otherwise disqualify it (as explained above), we will:

- Repair the product or, if we are unable to repair it, replace it with a comparable product that is new or refurbished;
- Or, as an alternative, at West Marine's option, we will refund you the original purchase price;
- If we repair or replace the product, we will return the repaired or replacement product to you; and
- Pay to ship the repaired or replacement product to you if you use an address in the United States (excluding Puerto Rico and U.S. possessions and territories). Otherwise, we will ship the product to you freight collect.

If we determine that the problem is not covered under this warranty, we will notify you of this when we return your product to you to the address you provide us in the United States (excluding Puerto Rico and U.S. possessions and territories).

We use new and refurbished parts made by various manufacturers in performing warranty repairs and in building replacement parts and systems. Refurbished parts and systems are parts or systems that have been returned to West Marine, some of which were never used by a customer. Replacement parts and systems are covered for the remaining time left in the Limited Warranty Term for the product you bought. West Marine owns all parts removed from repaired products.

## Maintenance is the Owner's Responsibility

Cleaning, polishing, lubricating, replacing filters, tuning, replacing worn parts, using your purchased product according to the user's manual, and regularly maintaining your purchased product is your responsibility.

## What if I purchased a Plus Protection Plan?

Service will be provided to you under the terms of the Plus Protection Plan contract. Please refer to that contract for details on how to obtain service.

## How State Law Relates to the Warranty

This warranty gives you specific legal rights, and you may also have other rights which vary from state to state.



Printed in China