

INSPIRED BY COMFORT



VACUFLUSH

PRODUCT GUIDE



Includes Specification Sheets for:

**VacuFlush® Toilets, VacuFlush System Components, Holding Tank Systems,
and Marine Toilet System Components**

Lit. ID#	Revision Date	Description	Page
VACUFLUSH® TOILETS & COMPONENTS			
2905	06/2011	4800 Series VacuFlush Toilets	5
2904	06/2011	4700 Series VacuFlush Toilets	7
2903	06/2011	4600 Series VacuFlush Toilets	9
2907	01/2011	VacuFlush Switches, Indicators, Status Panels	11
2906	06/2011	5000 Series VacuFlush Toilets	13
2902	01/2011	500/700 Series VacuFlush Toilets	15
2901	09/2010	140 Series VacuFlush Toilets	17
VACUFLUSH® SYSTEM COMPONENTS			
2908	01/2011	VacuFlush Vacuum Components	19
HOLDING TANK SYSTEMS			
2909	10/2010	VHT Series Vacuum Holding Tanks	21
2803	08/2010	SailVac™ 5200 Vacuum Holding Tank	23
2910	10/2010	HTS-VG VacuFlush Holding Tanks	25
2919	10/2010	HTS SeaLand® Holding Tank Systems	27
MARINE TOILET SYSTEM COMPONENTS			
2921	09/2010	SeaLand DTM Series Tank Monitor Systems	29
2922	09/2010	SeaLand DTD Series Tank Discharge Controls	31
2926	12/2010	SeaLand Waste Discharge Pump	33
2927	12/2010	SeaLand Sanitation Hoses	34
2925	10/2010	SaniGard™ Holding Tank Vent Filter	35

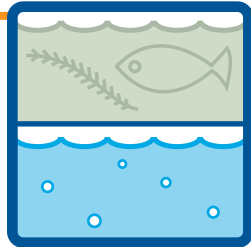
How VacuFlush® Toilets Raise Your Level of

Comfort

When comparing the major differences among marine toilet systems, most boaters find that VacuFlush systems offer many advantages that result in homelike comfort and superior, long-lasting performance.

Fresh Water Flushing Stops Odors

Raw water flushing systems contain odor-causing seaweed and other living organisms that die and decay. Low-flow VacuFlush systems use clean, fresh water, thereby eliminating chances for odors.



Minimal Water Use For Fewer Pump-outs

Specially engineered to use little water per flush, VacuFlush systems preserve on-board water supplies and greatly increase the number of flushes between holding tank pump-out operations.

Powerful Vacuum Cleans Bowl and Lines

A vigorous combination of air and water flow clear the toilet bowl instantly and keep plumbing lines open – reducing chances of hose odor permeation.



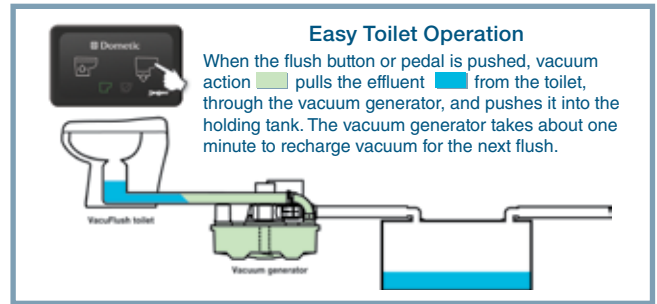
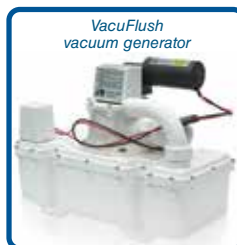
VacuFlush Testimonial

"I had two VacuFlush systems installed in 1988 when I commissioned the building of ALFIN II, a Brewer 44 sloop, cutter rig. I have experienced 23 years of odor-free, trouble-free bliss while cruising over 30,000 miles and 12,000 hours on the engine. These are irreplaceable items in any boat."

--Augusto (Kiko) Villalon, St. James City, Florida USA

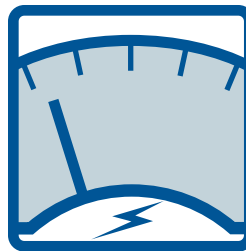
Complete Sanitation Technology from One Source

With more than 25 years of specializing in marine sanitation systems, Dometic assures boatowners of toilet systems that meet all their comfort needs as well as comply with diverse worldwide marine regulations.



Look and Performance of Household Toilets

Adult-size seats, deep bowls and large water surfaces of many VacuFlush toilets make them extremely comfortable and easy to use. Electronic flush models offer simple one-touch flushing.



Low Power Use

Pedal-operated VacuFlush toilets draw a mere 2-6 amps per flush, and electronic flush models use only 7 amps more – comparing favorably to other systems that use upwards of 60 amps.

Unbeatable Reliability

By eliminating the problems associated with raw water systems, VacuFlush systems require less maintenance and extend component life significantly.



Enhanced Resale Value

Sparkling vitreous china toilets and a powerful vacuum sanitation system reflect a higher standard of quality and increase the value of boats.

4800 Series VacuFlush Toilets

Powerful, efficient flush. Luxurious comfort.



**Dual-Flush
Water-Saving
Modes!**

Model 4809
VacuFlush Toilet



SeaLand 4800 series all-ceramic VacuFlush® toilets bring water-efficient flushing to a new level. Boatowners can now choose between two flush modes to suit their personal preference or conserve resources – without sacrificing the powerful, bowl-clearing performance of a VacuFlush system.

Using only 0.25 gal. (0.95 liter) per flush in the “normal” mode or 0.125 gal. (0.5 liter) in the “dry bowl” mode, 4800 series toilets greatly extend holding tank capacity between pump-outs as compared to other marine toilets. In the “dry bowl” mode, water is not added to the toilet after flushing. This prevents splashing water out of the bowl while a boat is underway or in rough seas.

VacuFlush 4800 series toilets provide an abundance of features to enhance installation and performance. The contemporary shape features a compact footprint to fit in most any head compartment. They are available in low-profile and standard-height units. Discriminating owners have these options: toilet or toilet/bidet combination unit; matching bidets; white or bone colors.

The 4800 series styling matches that of 8900 series MasterFlush™ macerating toilets. This advantage provides boat designers the ability to offer choices in toilet technology across all boat model lines without altering the decor or floor plans of the baths.



Toilet/bidet models combine electronic-flush operation with manually controlled, variable temperature bidet wash. Features gentle, aerated water flow.

Key Benefits

- Powerful vacuum flush
- Ultra low water consumption in two modes – “normal” flush at 0.25 gal. (0.95 l) or “dry bowl” flush at 0.125 gal. (0.5 l)
- VacuFlush touchpad or wall switch, or popular Vimar and Gewiss switch options
- Small footprint – fits in most any head compartment
- “Soft-close” thermoset seat
- Standard and low-profile heights
- Automatic “full tank” shutdown prevents overflowing the holding tank (when connected to tank level indication system)
- Service mode allows cleaning or other service without running water
- Toilet/bidet combination model available (white only)
- Matching free-standing bidet available
- 12 V DC or 24 V DC operation

Technical Specifications for 4800 Series VacuFlush® Toilets

MODEL	DESCRIPTION	DISCHARGE
4806	Low-profile all-ceramic VacuFlush electric toilet	through the floor, 1.5 in./38 mm dia. plumbing, vacuum
4826	Low-profile all-ceramic VacuFlush electric toilet/manual bidet combination	through the floor, 1.5 in./38 mm dia. plumbing, vacuum
4809	Standard-height all-ceramic VacuFlush electric toilet	through the floor, 1.5 in./38 mm dia. plumbing, vacuum
4848	Standard-height all-ceramic VacuFlush electric toilet	above the floor, 1.5 in./38 mm dia. plumbing, vacuum
4828	Standard-height VacuFlush electric toilet/manual bidet combination	above the floor, 1.5 in./38 mm dia. plumbing, vacuum
4829	Standard-height VacuFlush electric toilet/manual bidet combination	through the floor, 1.5 in./38 mm dia. plumbing, vacuum
4801	Standard-height manual bidet	through the floor, 1.5 in./38 mm dia. plumbing, gravity
4802	Low-profile manual bidet	through the floor, 1.5 in./38 mm dia. plumbing, gravity

White and bone colors available. 12 V DC and 24 V DC models available. Contact sales representative for details. Specifications subject to change without notice.

4800 Series VacuFlush System Requirements

ELECTRICAL	Toilet amp draw	2 amp @ 12 V DC; 1 amp @ 24 V DC
	Toilet circuit breaker/fuse	5 amp @ 12 V or 24 V DC
	Vacuum source* draw	6 amps/12 V DC; 3 amps/24 V DC)
	Vacuum source* circuit breaker/fuse	10 amps/12 V DC; 5 amps/24 V DC)
WATER SUPPLY	ID	0.5 in. NPT
	Flow rate	2.0 gpm/7.6 lpm minimum at toilet
DISCHARGE	Hose/PVC pipe ID	1.5 in./38 mm
	Horizontal run**	50 ft./15 m maximum to vacuum source
	Vertical run**	6 ft./1.8 m maximum to vacuum source
REQUIRED COMPONENTS	Electric flush switch †	Dometic, Vimar or Gewiss
	Vacuum source †	VacuFlush vacuum generator, vacuum holding tank, or holding tank system

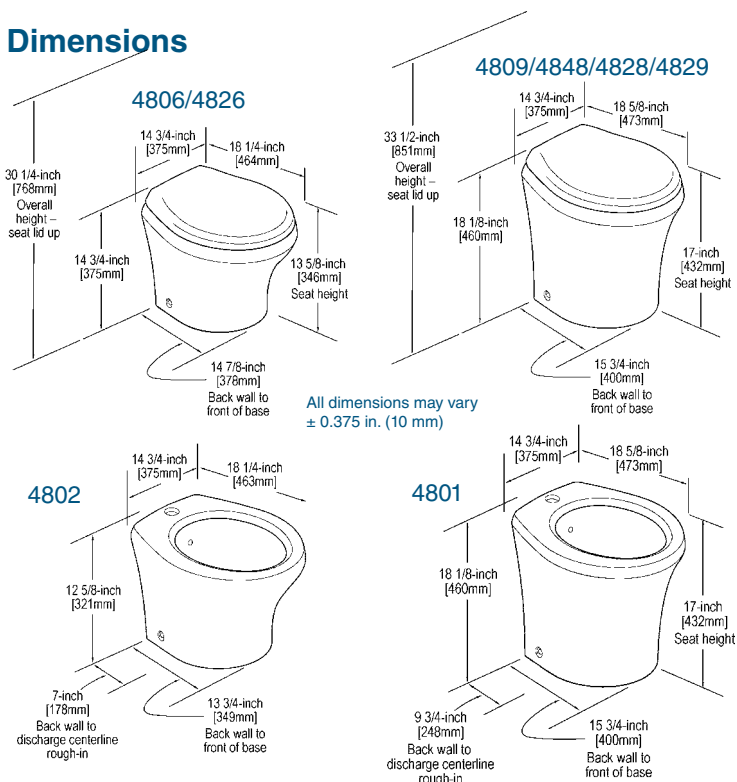
* Required for J and S series VacuFlush vacuum generators.

** Based on J and S series VacuFlush vacuum generator specifications. Where applicable, see VHT series vacuum holding tank manual for other installation specifications.

† Purchased separately.

Specifications subject to change without notice.

Dimensions



VacuFlush Switch Panels



VacuFlush wall-mounted flush switches feature backlit push buttons for easy use, even in low light. The VFS model includes a generic frame, or can be fitted with a Vimar Idea, Vimar Eikon, or Gewiss Chorus frame. The VFP model accommodates a Gewiss Playbus frame.

See page 11 for details.

Water-saving Flush Settings

To reduce water consumption from 1 US quart (0.95 l) to 1 US pint (0.5 l) per flush, change from “Normal” to “Dry Bowl” flush option by pressing “flush” switch for about five seconds. When “power on” light begins flashing, release “flush” switch. Flush setting has been changed. Change back to “Normal” setting in the same manner.



4700 Series VacuFlush Toilets

Powerful performance. Premium comfort.



4700 series
VacuFlush toilet
with electronic
flush handle

4700 series
VacuFlush toilet (see
reverse side for flush
switch selection)

Get the water-conserving efficiency of VacuFlush technology in an opulent, residential-scale toilet with SeaLand VacuFlush 4700 series toilets from Dometic. Upscale style and electronic operation perfectly complement today's tastes in motor yacht design and convenience.

With freshwater flushing, instantaneous evacuation of bowl contents, and thorough rinsing action, VacuFlush 4700 series toilets deliver sparkling clean, odor-free performance. Using only 0.25 gal. (0.95 liter) per flush in the "normal" mode or 0.125 gal. (0.5 liter) in the "dry bowl" mode, 4700 series toilets greatly extend the use of a holding tank between pump-outs as compared to manual and other electric toilets. In the "dry bowl" mode, water is not added to the toilet after flushing. This prevents splashing water out of the bowl while a boat is underway or in rough seas.

SeaLand VacuFlush 4700 series toilets provide an abundance of features to satisfy diverse owner preferences and boatbuilder requirements. 4700 series toilets come in standard-height units with above-floor or below-floor discharge options. Electronic flushing can be activated by either a residential-style handle or wall-mounted switch. Additional options include a choice of white or bone colors.

Key Benefits

- Powerful vacuum flush
- Ultra low water consumption in two modes – "normal" flush at 0.25 gal. (0.95 l) or "dry bowl" flush at 0.125 gal. (0.5 l)
- VacuFlush touchpad or wall switch, or popular Vimar and Gewiss switch options
- Flat-back design – fits against bulkheads
- Residential-style wood seat with elongated opening
- Automatic "full tank" shutdown prevents overfilling the holding tank (when connected to tank level indication system)
- Service mode allows cleaning or other service without running water
- 12 V DC or 24 V DC operation

Technical Specifications for 4700 Series VacuFlush® Toilets

MODEL	DESCRIPTION	DISCHARGE
4709	Standard-height all-ceramic VacuFlush electric toilet	through the floor, 1.5 in./38 mm dia. plumbing, vacuum
4748	Standard-height all-ceramic VacuFlush electric toilet	above the floor, 1.5 in./38 mm dia. plumbing, vacuum

White and bone colors available. 12 V DC and 24 V DC models available. Contact sales representative for flush handle and flush switch control options, and other details. Specifications subject to change without notice.

4700 Series VacuFlush System Requirements

ELECTRICAL	Toilet amp draw	2 amp @ 12 V DC; 1 amp @ 24 V DC
	Toilet circuit breaker/fuse	5 amp @ 12 V or 24 V DC
	Vacuum source* draw	6 amps/12 V DC; 3 amps/24 V DC)
	Vacuum source* circuit breaker/fuse	10 amps/12 V DC; 5 amps/24 V DC)
WATER SUPPLY	ID	0.5 in. NPT
	Flow rate	4.0 gpm/15.1 lpm minimum at toilet
DISCHARGE	Hose/PVC pipe ID	1.5 in./38 mm
	Horizontal run**	50 ft./15 m maximum to vacuum source
	Vertical run**	6 ft./1.8 m maximum to vacuum source
REQUIRED COMPONENTS	Electric flush switch †	Dometic, Vimar or Gewiss
	Vacuum source †	VacuFlush vacuum generator, vacuum holding tank, or holding tank system

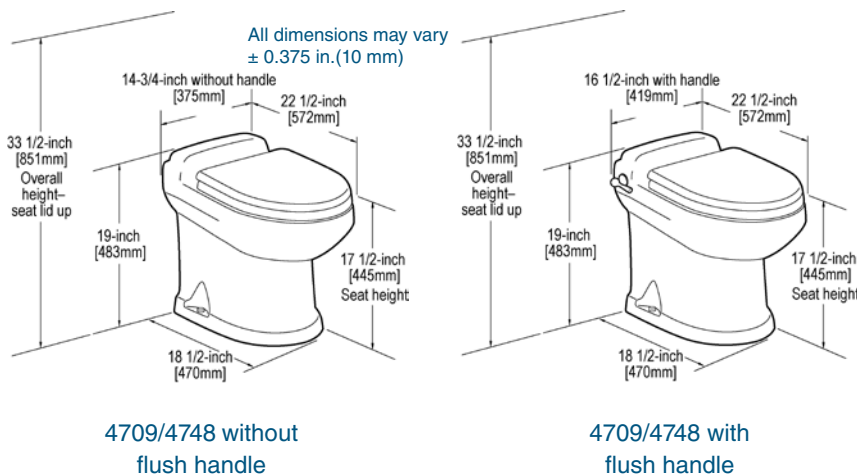
* Required for J and S series VacuFlush vacuum generators.

** Based on J and S series VacuFlush vacuum generator specifications. Where applicable, see VHT series vacuum holding tank manual for other installation specifications.

† Purchased separately.

Specifications subject to change without notice.

Dimensions



VacuFlush Switch Panels



VacuFlush wall-mounted flush switches feature backlit push buttons for easy use, even in low light. The VFS model includes a generic frame, or can be fitted with a Vimar Idea, Vimar Eikon, or Gewiss Chorus frame. The VFP model accommodates a Gewiss Playbus frame.

See page 11 for details.

Water-saving Flush Settings

To reduce water consumption from 1 US quart (0.95 l) to 1 US pint (0.5 l) per flush, change from “Normal” to “Dry Bowl” flush option by pressing “flush” switch for about five seconds. When “power on” light begins flashing, release “flush” switch. Flush setting has been changed. Change back to “Normal” setting in the same manner.



4600 Series VacuFlush Toilets

High-powered performance in a versatile fixture



Model 4609
VacuFlush Toilet

Enjoy the premium look of an all-ceramic toilet, yet in a compact size that allows installation in a wide range of yachts and head compartment layouts, with SeaLand 4600 series all-ceramic VacuFlush® toilets. Its upscale style and electronic touchpad operation perfectly complement today's taste in boat designs and conveniences.

With freshwater flushing, instantaneous evacuation of bowl contents, and thorough rinsing action, VacuFlush 4600 series toilets deliver sparkling clean, odor-free performance. Using only 0.25 gal. (0.95 liter) per flush in the "normal" mode or 0.125 gal. (0.5 liter) in the "dry bowl" mode, 4600 series toilets greatly extend the use of a holding tank between pump-outs as compared to manual and other electric toilets. In the "dry bowl" mode, water is not added to the toilet after flushing. This prevents splashing water out of the bowl while a boat is underway or in rough seas.

SeaLand VacuFlush 4600 series toilets satisfy diverse owner preferences and meet virtually any boatbuilder requirement. The contemporary shape features a compact footprint to fit in most any head compartment. They are available in low-profile and standard-height units; white or bone colors; and in 12 V DC or 24 V DC models.

Key Benefits

- Powerful vacuum flush
- Ultra low water consumption in two modes – "normal" flush at 0.25 gal. (0.95 l) or "dry bowl" flush at 0.125 gal. (0.5 l)
- VacuFlush touchpad or wall switch, or popular Vimar and Gewiss switch
- Flat-back design – fits against bulkheads
- "Soft-close" thermoset seat
- Standard and low-profile heights
- Automatic "full tank" shutdown prevents overflowing the holding tank (when connected to tank level indication system)
- Service mode allows cleaning or other service without running water
- Integrated fuse (toilet only) – easy to reset
- Matching free-standing bidet fixtures available
- 12 V DC or 24 V DC operation

Technical Specifications for 4600 Series VacuFlush® Toilets

MODEL	DESCRIPTION	DISCHARGE
4606	Low-profile all-ceramic VacuFlush electric toilet	through the floor, 1.5 in./38 mm dia. plumbing, vacuum
4609	Standard-height all-ceramic VacuFlush electric toilet	through the floor, 1.5 in./38 mm dia. plumbing, vacuum
4648	Standard-height all-ceramic VacuFlush electric toilet	above the floor, 1.5 in./38 mm dia. plumbing, vacuum
4601	Standard-height manual bidet with flat back	through the floor, 1.5 in./38 mm dia. plumbing, gravity
4602	Low-profile manual bidet with flat back	through the floor, 1.5 in./38 mm dia. plumbing, gravity

White and bone colors available. 12 V DC and 24 V DC models available. Contact sales representative for flush switch control options and other details. Specifications subject to change without notice.

4600 Series VacuFlush System Requirements

ELECTRICAL	Toilet amp draw	2 amp @ 12 V DC; 1 amp @ 24 V DC
	Toilet circuit breaker/fuse	5 amp @ 12 V or 24 V DC
	Vacuum source* draw	6 amps/12 V DC; 3 amps/24 V DC)
	Vacuum source* circuit breaker/fuse	10 amps/12 V DC; 5 amps/24 V DC)
WATER SUPPLY	ID	0.5 in. NPT
	Flow rate	2.0 gpm/7.6 lpm minimum at toilet
DISCHARGE	Hose/PVC pipe ID	1.5 in./38 mm
	Horizontal run**	50 ft./15 m maximum to vacuum source
	Vertical run**	6 ft./1.8 m maximum to vacuum source
REQUIRED COMPONENTS	Electric flush switch †	Dometic, Vimar or Gewiss
	Vacuum source †	VacuFlush vacuum generator, vacuum holding tank, or holding tank system

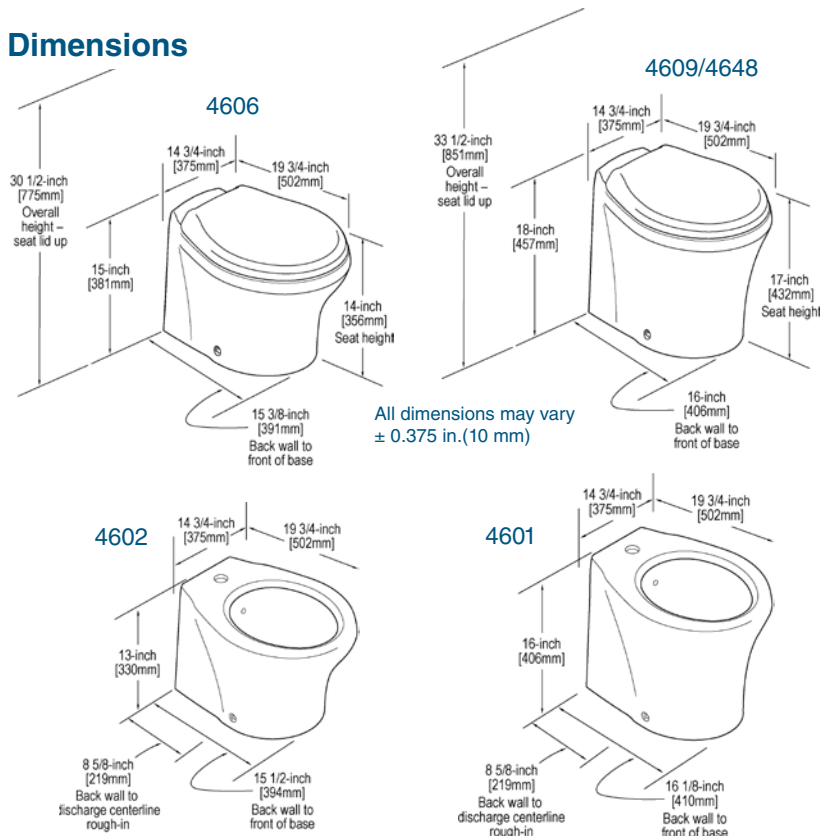
* Required for J and S series VacuFlush vacuum generators.

** Based on J and S series VacuFlush vacuum generator specifications. Where applicable, see VHT series vacuum holding tank manual for other installation specifications.

† Purchased separately.

Specifications subject to change without notice.

Dimensions



VacuFlush Switch Panels



VacuFlush wall-mounted flush switches feature backlit push buttons for easy use, even in low light. The VFS model includes a generic frame, or can be fitted with a Vimar Idea, Vimar Eikon, or Gewiss Chorus frame. The VFP model accommodates a Gewiss Playbus frame.

See page 11 for details.

Water-saving Flush Settings

To reduce water consumption from 1 US quart (0.95 l) to 1 US pint (0.5 l) per flush, change from “Normal” to “Dry Bowl” flush option by pressing “flush” switch for about five seconds. When “power on” light begins flashing, release “flush” switch. Flush setting has been changed. Change back to “Normal” setting in the same manner.



VacuFlush® Toilet Flush Switch Panels

Versatile designs fit popular Vimar, Gewiss frames



Key Benefits

- Complete add water/flush control at the touch of a button
- Integrated vacuum status/power lights indicate when toilet is ready to flush
- Backlit push buttons offer easy location for user, even in dark
- Adaptable with popular Vimar and Gewiss trim frames
- “Service” mode keeps flush ball open for cleaning or other service operation
- Fast installation with ethernet cable (RJ45 connectors)
- CE approved
- 12 V DC or 24 V DC operation

Dimensions (actual size shown)
 3.42 in. w x 3 in. h / 89 mm x 76 mm – VFS panel with standard frame
 Panels fitted with Vimar and Gewiss frames will vary in appearance and size.

For electronic-flush VacuFlush toilet models, our wall-mounted flush switches offer streamlined styling while delivering user-friendly push-button operation. The VFS model includes a standard Dometic frame, yet it also can be fitted with a Vimar Idea, Vimar Eikon, or Gewiss Chorus frame to complement a boat’s existing electronic switch design. The VFP model will accommodate only a Gewiss Playbus-style frame.

MODEL	DESCRIPTION	COLOR	VOLTAGE	ITEM
VFS	VacuFlush switch panel - standard	gray	12/24	313408010
		white	12/24	313408020
VFP	VacuFlush switch panel - Gewiss Playbus-style	gray	12/24	313408030

VFS standard panel fits Dometic, Vimar Eikon, Vimar Idea, and Gewiss Chorus frames. VFP will retrofit with Gewiss Playbus frames. All flush switch panels include 10 ft./3 m electrical cable that connects to flush switch and all-ceramic VacuFlush toilet circuit board. Specifications subject to change without notice.



“Do Not Flush” light indicates that toilet system vacuum is recharging or that holding tank is full (when connected to SeaLand tank level indication system).



VacuFlush® Status Panels

Assures readiness of VacuFlush toilets

DVS01 Status Panel

Designed primarily for pedal-style VacuFlush toilets, the SeaLand DVS01 panel indicates when electrical power to the toilet system is turned on, and when the vacuum level is ready for flushing (green light). When vacuum is recharging or the holding tank is full (if connected to a “full tank” sensor), the red light illuminates to indicate that the toilet should not be flushed.

Key Benefits

- Continuous monitoring of toilet system's vacuum status
- Operates on only 16 mA @ 12 V DC or 24 V DC
- Complements other SeaLand panels and controls



Item no. 313535000 - 12 V DC or 24 V DC

Dimensions

3.25 in. w x 2 in. h / 83 mm x 51 mm

DNF Status Panel

SeaLand “Do Not Flush” panel connects to a VacuFlush toilet system to indicate two conditions: insufficient vacuum for toilet operation, or that the toilet system power is off due to a full holding tank (must be connected to shut-down relay).

Key Benefits

- Operates on only 16 mA @ 12 V DC or 24 V DC
- Complements other SeaLand panels and controls



Item no. 313712000 - 12/24 V DC, black
Item no. 313712001 - 12/24 V DC, white

Dimensions

3.25 in. w x 2 in. h / 83 mm x 51 mm

DVS02 Status Control Panel

SeaLand DVS02 panel makes a VacuFlush toilet system easier and more efficient to use. Lights indicate when there is enough vacuum pressure for an effective flush, when vacuum is insufficient for flushing, or when the holding tank is full (if connected to a “full tank” sensor). The power switch allows turning off electrical power to the vacuum system during periods when the toilet is not in use.

Key Benefits

- Continuous monitoring of toilet system's vacuum status
- Easy control of VacuFlush toilet system power
- Operates on only 12-16 mA @ 12 V DC or 24 V DC
- Complements other SeaLand panels and controls



Item no. 313530012 - 12 V DC, black
Item no. 313530024 - 24 V DC, black
Item no. 313530112 - 12 V DC, white
Item no. 313530124 - 24 V DC, white

Dimensions

3.25 in. w x 3.25 in. h / 83 mm x 83 mm

5000 Series VacuFlush® Toilets

Compact Design. Powerful, Efficient Flush.



Model 5009
VacuFlush Toilet

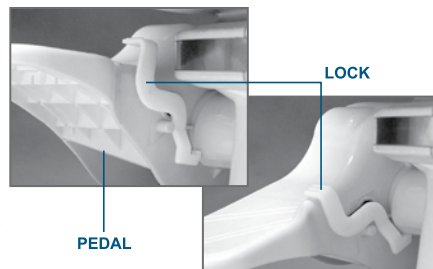
SeaLand 5000 series VacuFlush® toilets deliver many value-added benefits of a vacuum toilet system to a wide range of boat installations.

The clean, odor-free performance of VacuFlush 5000 series toilets is the result of freshwater flushing, instantaneous evacuation of bowl contents, and thorough rinsing action. Using only 0.13 US gal. (0.5 liter) per flush, 5000 series toilets greatly extend the use of a holding tank between pump-outs as compared to manual and other electric toilets which consume three or four times more water. An integral water-line check valve provides anti-siphon protection for freshwater systems.

Available in three heights, the 5000 series will accommodate diverse floor plans, including placement on raised platforms. Shallow front-to-back footprint dimensions allow boatowners fit one in virtually any space. All three sizes are available in sparkling white and bone colors.

Pedal Lock

5140 series VacuFlush® toilets include a pedal lock. When installed in a toilet system with a VHT 12, VHT 4500, or VHT 5200 vacuum holding tank, the pedal lock holds the flush ball open to allow positive air pressure into the holding tank during pump-out. This helps assure thorough discharge of the holding tank.



Key Benefits

- Powerful vacuum flush; foot-pedal activated
- Ultra low water consumption – only 1 pint (0.5 liter) per flush
- Small footprint – fits in most any head compartment
- Full-size residential-style wood seat.
- Deep, household-size bowl
- Three heights available – standard, medium and low-profile
- Through-the-floor or through-the-wall discharge options
- 12 V DC or 24 V DC operation (connects to VacuFlush vacuum generator or holding tank system)

Technical Specifications for 5000 Series VacuFlush® Toilets

MODEL	DESCRIPTION	DISCHARGE	WEIGHT**
5006	Low-profile VacuFlush toilet	through the floor*	27 lbs./12.2 kg
5009	Standard-height VacuFlush toilet	through the floor*	28 lbs./12.7 kg
5047	Standard-height VacuFlush toilet	above the floor, right	28 lbs./12.7 kg
5048	Standard-height VacuFlush toilet	above the floor, rear	28 lbs./12.7 kg
5049	Standard-height VacuFlush toilet	above the floor, left	28 lbs./12.7 kg
5146	Medium-height VacuFlush toilet	through the floor*	28 lbs./12.7 kg
5147	Medium-height VacuFlush toilet	above the floor, right	28 lbs./12.7 kg
5148	Medium-height VacuFlush toilet	above the floor, rear	28 lbs./12.7 kg
5149	Medium-height VacuFlush toilet	above the floor, left	28 lbs./12.7 kg

* Hose or pipe discharge connection. All others use hose only.

** Weights may vary ± 2-3 percent.

Specifications subject to change without notice.

5000 Series VacuFlush System Requirements

ELECTRICAL	Vacuum pump* draw	6 amps/12 V DC; 3 amps/24 V DC)
	Vacuum pump* circuit breaker/fuse	10 amps/12 V DC; 5 amps/24 V DC)
WATER SUPPLY	ID	0.5 in. NPT fitting
	Flow rate	2.0 gpm/7.6 lpm at toilet, minimum
DISCHARGE	ID	1.5 in./38 mm ID plumbing
	Horizontal run**	50 ft./15 m maximum to vacuum source
	Vertical run**	6 ft./1.8 m maximum to vacuum source
REQUIRED COMPONENT	Vacuum source †	VacuFlush vacuum generator, vacuum holding tank, or holding tank system

* Required for J and S series VacuFlush vacuum generators.

** Based on J and S series VacuFlush vacuum generator specifications. Where applicable, see VHT series vacuum holding tank manual for other installation specifications.

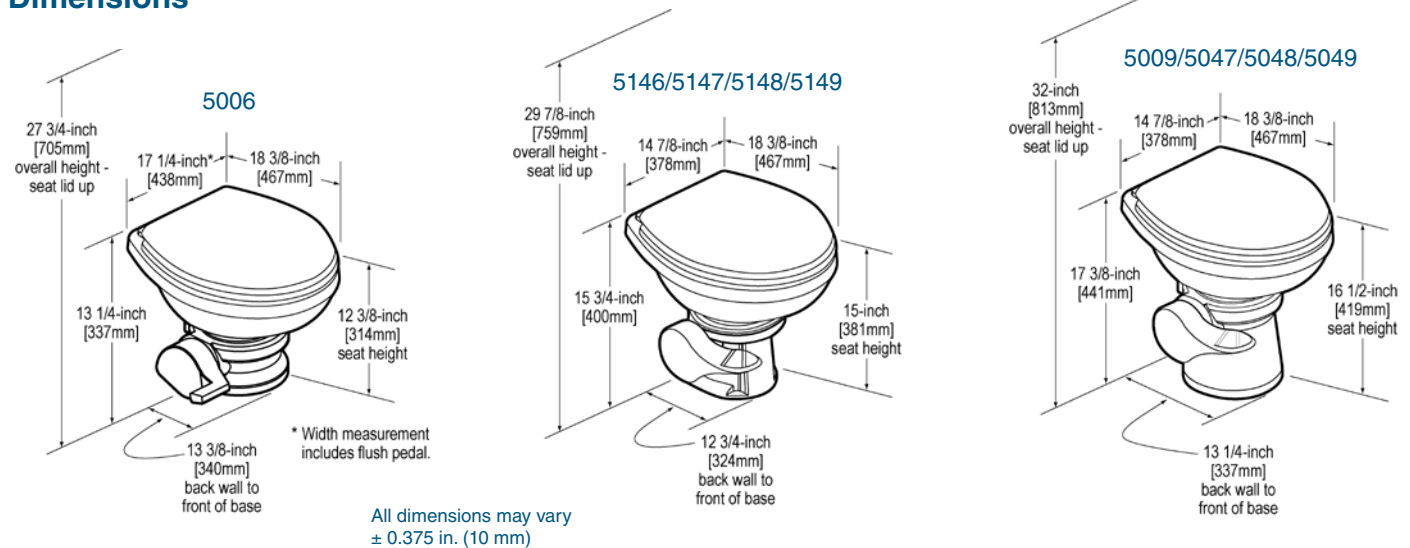
† Purchased separately.

Specifications subject to change without notice.



Model 5147
VacuFlush Toilet

Dimensions



500 and 700 Series VacuFlush® Toilets

Powerful performance, premium efficiency



Model 506+
VacuFlush Toilet

Model 509+
VacuFlush Toilet

500 Plus Series VacuFlush Toilets

Thousands of boatowners worldwide enjoy the easy operation, robust flush, and worry-free advantages of SeaLand 500 Plus series VacuFlush toilets. Elongated seat and deep bowl provide the most home-like comfort available in pedal-flush toilets. Miserly water consumption extends freshwater resources as well as holding tank use between pump-outs. An integral vacuum breaker protects the water supply, and the anti-splash rim keeps water in the bowl while underway. With a wide selection of color, height and discharge options, it's easy to specify a 500 Plus VacuFlush toilet to fit most any boat.

Key Benefits

- Elongated, solid seat for comfort and support
- As little as 1 pint (0.5 l) per flush
- Foot-pedal operation adds water, flushes toilet
- Standard-height and low-profile models
- Below-floor and multiple above-floor discharge options
- Available in white, bone, platinum, ebony colors

706 VacuFlush Toilet

With the ultra-compact model 706, a VacuFlush toilet can be fitted to smaller boats, and deliver the same powerful flush as larger VacuFlush toilet models.

Key Benefits

- Compact size fits small compartments
- As little as 1 pint (0.5 l) per flush
- Solid seat for home-like comfort
- Foot-pedal operation adds water, flushes toilet
- Integral vacuum breaker protects water supply
- Below-floor discharge; rotates 360°
- Available in white, bone colors



Model 706
VacuFlush Toilet

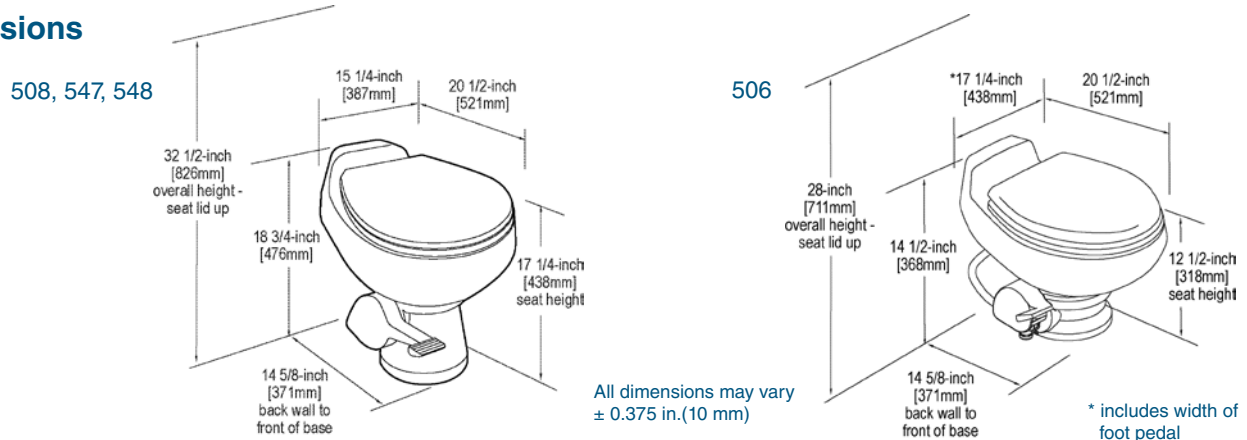
500 Plus Series Technical Specifications

MODEL	DESCRIPTION	DISCHARGE	WEIGHT**
506	Low-profile pedal-flush VacuFlush toilet	through the floor*	40 lbs./18.1 kg
508	Standard-height pedal-flush VacuFlush toilet	through the floor*	41 lbs./18.6 kg
547	Standard-height pedal-flush VacuFlush toilet	above the floor, right	41 lbs./18.6 kg
548	Standard-height pedal-flush VacuFlush toilet	above the floor, rear	41 lbs./18.6 kg

All models are available in white, bone, platinum and ebony color.
 * Hose or pipe discharge connection. All others use hose only.
 Specifications subject to change without notice.

** Weights may vary ± 2-3 percent.

Dimensions

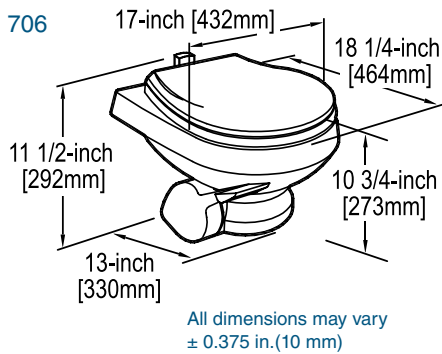


Model 706 Technical Specifications

MODEL	DESCRIPTION	DISCHARGE	WEIGHT*
706	Low-profile pedal-flush VacuFlush toilet	through the floor	27 lbs./12.2 kg

Available in white or bone color.
 * Weight may vary ± 2-3 percent.
 Specifications subject to change without notice.

Dimensions



500 Plus Series and Model 706 VacuFlush System Requirements

ELECTRICAL	Vacuum pump* draw	6 amps/12 V DC; 3 amps/24 V DC
	Vacuum pump* circuit breaker/fuse	10 amps/12 V DC; 5 amps/24 V DC
WATER SUPPLY	ID	0.5 in. NPT fitting
	Flow rate	2.0 gpm/7.6 lpm at toilet, minimum
DISCHARGE	ID	1.5 in./38 mm ID plumbing
	Horizontal run**	50 ft./15 m maximum to vacuum source
	Vertical run**	6 ft./1.8 m maximum to vacuum source
REQUIRED COMPONENT	Vacuum source †	VacuFlush vacuum generator, vacuum holding tank, or holding tank system

* Required for J and S series VacuFlush vacuum generators.

** Based on J and S series VacuFlush vacuum generator specifications. Where applicable, see VHT series vacuum holding tank manual for other installation specifications.

† Purchased separately.

Specifications subject to change without notice.



140 Series VacuFlush® Toilets

Compact Size For Small Head Compartments.



Model 149
VacuFlush Toilet

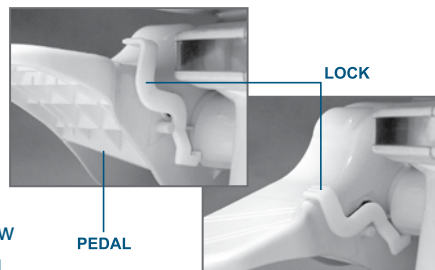
140 series VacuFlush® toilets meet the special demands of sailboats and smaller motor yachts without sacrificing the high-powered performance of larger VacuFlush toilets.

Medium-profile 140 toilet models provide a comfortable seat height when installed on raised platforms. Dimensions and plumbing configurations make the 140 series an instant replacement for older manual marine toilets, providing much easier and sanitary flushing performance.

Clean, odor-free performance results from freshwater flushing, instantaneous evacuation of bowl contents, and thorough rinsing action. Using only 0.13 US gal. (0.5 liter) per flush, 140 series VacuFlush toilets greatly extend the use of a holding tank between pump-outs as compared to manual and other electric toilets which consume three or four times more water. A vacuum breaker provides anti-siphon protection for freshwater systems. All models are available in sparkling white and bone colors.

Pedal Lock

140 series VacuFlush® toilets include a pedal lock. When installed in a toilet system with a VHT 12, VHT 4500, or VHT 5200 vacuum holding tank, the pedal lock holds the flush ball open to allow positive air pressure into the holding tank during pump-out. This helps assure thorough discharge of the holding tank.



Key Benefits

- Powerful vacuum flush; foot-pedal activated
- Small footprint – fits in most any head compartment
- Ultra low water consumption – only 1 US pint (0.5 liter) per flush
- Premium-strength wood seat
- Pedal lock keeps flush ball open for thorough holding tank pump-out or other toilet system service
- Atmospheric vacuum breaker protects freshwater supply from backflow
- Four discharge options – through-the-floor; or above-the-floor left-side, right-side or back
- For 12 V DC or 24 V DC VacuFlush systems (connects to vacuum generator, VHT, or holding tank system)

140 Series Technical Specifications

MODEL	DESCRIPTION	DISCHARGE	WEIGHT**
146	Medium-height VacuFlush toilet	through the floor*	27 lbs./12.2 kg
147	Medium-height VacuFlush toilet	above the floor, right	27 lbs./12.2 kg
148	Medium-height VacuFlush toilet	above the floor, rear	27 lbs./12.2 kg
149	Medium-height VacuFlush toilet	above the floor, left	27 lbs./12.2 kg

* Hose or pipe discharge connection. All others use hose only.

** Weights may vary ± 2-3 percent.

All models are available in white or bone color.

Specifications subject to change without notice.

140 Series VacuFlush System Requirements

ELECTRICAL	Vacuum pump* draw	6 amps/12 V DC; 3 amps/24 V DC)
	Vacuum pump* circuit breaker/fuse	10 amps/12 V DC; 5 amps/24 V DC)
WATER SUPPLY	ID	0.5 in. NPT fitting
	Flow rate	2.0 gpm/7.6 lpm at toilet, minimum
DISCHARGE	ID	1.5 in./38 mm ID plumbing
	Horizontal run**	50 ft./15 m maximum to vacuum source
	Vertical run**	6 ft./1.8 m maximum to vacuum source
REQUIRED COMPONENT	Vacuum source †	VacuFlush vacuum generator, vacuum holding tank, or holding tank system

* Required for J and S series VacuFlush vacuum generators.

** Based on J and S series VacuFlush vacuum generator specifications. Where applicable, see VHT series vacuum holding tank manual for other installation specifications.

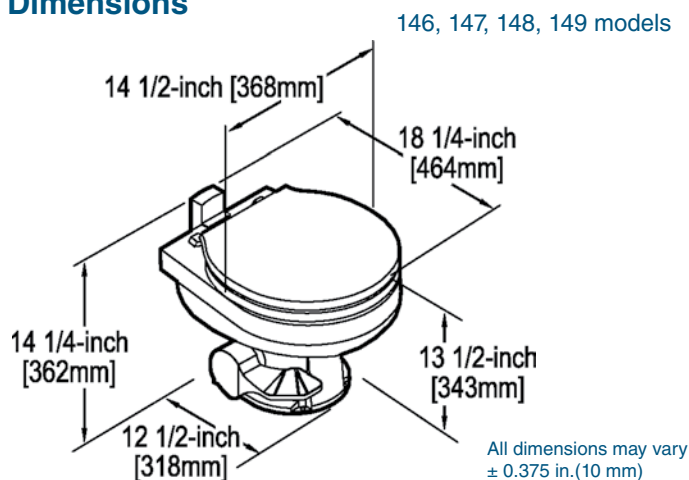
† Purchased separately.

Specifications subject to change without notice.



Model 148
VacuFlush Toilet

Dimensions



VacuFlush® Vacuum Components

The Heart of VacuFlush® Power



J series vacuum generator

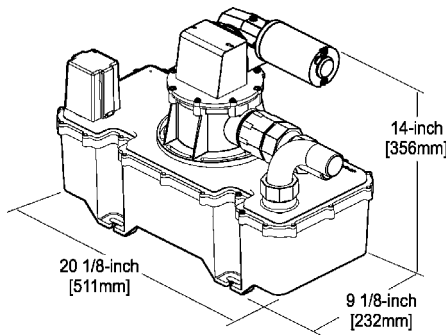
S series low-profile vacuum generator

J Series Vacuum Generator (model VG4)

As the most versatile, efficient and quiet vacuum sources developed by Dometic, J series vacuum generators offer boatbuilders more reasons than ever to install premium VacuFlush toilet systems. Along with the most efficient water and power consumption, they operate much more quietly than macerator toilet motors, and can be configured to most any marine plumbing application.

Key Benefits

- Adjustable components accommodate diverse layouts
- Large 2 in./51 mm ID openings improve flow
- Precise tolerances of injection-molded tank optimize efficiency and reliability
- Pre-wired and assembled

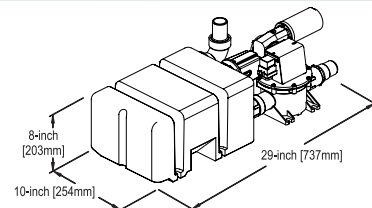


S Series Low-profile Vacuum Generator (model LPVG)

Where space is limited, this low-profile unit is the perfect fit. Provided as a single unit, the whisper-quiet pump and sturdy polyethylene tank can also be installed separately for unique applications.

Key Benefits

- Creates powerful vacuum for all VacuFlush toilets
- Vacuum pump and tank can be plumbed up to 3 feet (0.9 m) apart if necessary (requires additional sanitation hose)
- Pre-wired and assembled



J and S Series Vacuum Generator Requirements

ELECTRICAL	Power draw (avg.)	6 amps @ 12 V DC; 3 amps @ 24 V DC
	Circuit breaker/fuse*	10 amps @ 12 V DC; 5 amps @ 24 V DC
INLET PLUMBING	ID	1.5 in./38 mm sanitation hose or PVC pipe
	Horizontal run	50 ft./15.2 m max. from toilet discharge
DISCHARGE PLUMBING	Vertical run	6 ft./1.8 m max. from toilet discharge
	ID	1.5 in./38 mm sanitation hose or PVC pipe
	Horizontal run	20 ft./6.1 m max. to holding tank
REQUIRED COMPONENT	Vertical run	6 ft./1.8 m max. to holding tank
	REQUIRED COMPONENT	VacuFlush toilet †

* Requires separate circuit breaker or fuse from other electrical equipment.

† Purchased separately. Electronic-flush VacuFlush toilets require separate electrical circuit. Refer to toilet specifications. Specifications subject to change without notice.

M Series Vacuum Pump (model M)

Install up to eight VacuFlush toilet/vacuum tank combinations to ONE super-powerful M series vacuum pump. It's ideal for multi-head superyachts and heavy-use charters or rentals.

Key Benefits

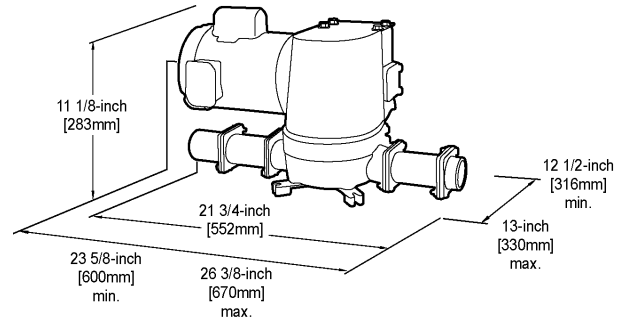
- Heavy-duty bronze body
- Runs dry without damage
- Passes objects up to 1 in. (25 mm) diameter
- 1/2-HP motor, standard (3/4-HP motor, optional)



M Series Vacuum Pump Requirements

ELECTRICAL	Power draw (avg.)	40 amps @ 12 V DC; 20 amps @ 24 V DC; 8 amps @ 115 V AC
	Circuit breaker/fuse*	50 amps @ 12 V DC; 25 amps @ 24 V DC; 10 amps @ 115 V AC
INLET PLUMBING	ID	1.5 in./38 mm sanitation hose or PVC pipe
	Horizontal run**	unspecified
DISCHARGE PLUMBING	ID	1.5 in./38 mm sanitation hose or PVC pipe
	Horizontal run	20 ft./6.1 m max. to holding tank
	Vertical run	6 ft./1.8 m max. to holding tank
REQUIRED COMPONENTS	Vacuum tank, VacuFlush toilet †	

* Requires separate circuit breaker or fuse from other electrical equipment.
 ** Recommend run to be parallel to or lower than vacuum tank discharge outlet.
 † Purchased separately.
 Specifications subject to change without notice.



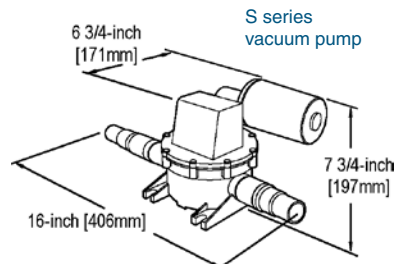
S Series Vacuum Pump (model S)

Proven in thousands of motor yachts, our bellows-style vacuum pump has been powering VacuFlush toilets for over 30 years. Connects to separate vacuum tank (model VT).

S Series Vacuum Pump Requirements

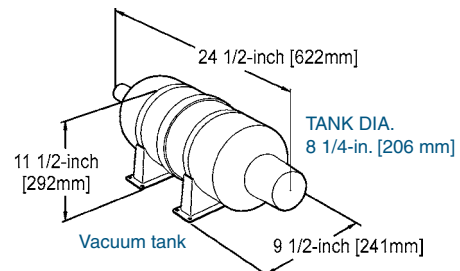
ELECTRICAL	Power draw (avg.)	6 amps @ 12 V DC; 3 amps @ 24 V DC
	Circuit breaker/fuse*	10 amps @ 12 V DC; 5 amps @ 24 V DC
INLET PLUMBING	ID	1.5 in./38 mm sanitation hose or PVC pipe
	Horizontal run**	3 ft./0.9 m max. from vacuum tank
DISCHARGE PLUMBING	ID	1.5 in./38 mm sanitation hose or PVC pipe
	Horizontal run	20 ft./6.1 m max. to holding tank
	Vertical run	6 ft./1.8 m max. to holding tank
REQUIRED COMPONENTS	Vacuum tank, VacuFlush toilet †	

* Requires separate circuit breaker or fuse from other electrical equipment.
 ** Must be parallel to or lower than vacuum tank discharge outlet.
 † Purchased separately.
 Specifications subject to change without notice.



Vacuum Tank (model VT)

This tank stores a vacuum force to instantly clear a VacuFlush toilet bowl with every flush. Connecting between a VacuFlush toilet and S or M series vacuum pump, it installs horizontally, vertically or suspended to accommodate special applications.



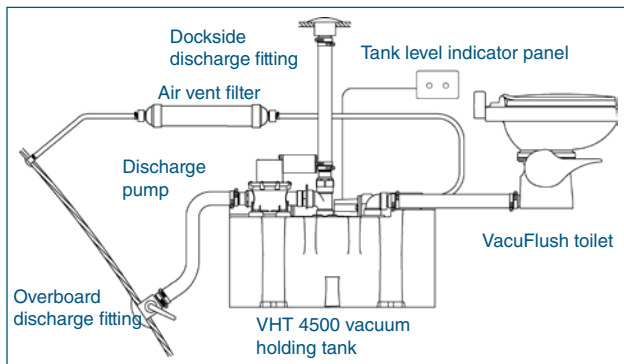
VHT Vacuum Holding Tanks

Big VacuFlush® Power for Small Boats

For performance boats and other trailerable boats with space too limited for typical marine toilet systems, VacuFlush VHT vacuum holding tank systems make it easy to install a complete VacuFlush toilet system on boats from 19 ft. (5.8 m) to 26 ft. (8 m) in length. VHT tank models integrate a vacuum pump, vacuum reservoir and waste holding tank into one easy-to-install unit. Compact in size, these VHT units deliver all the benefits of larger VacuFlush systems, providing a waste tank with as much flushing capacity as holding tanks that are sized for much larger boats.

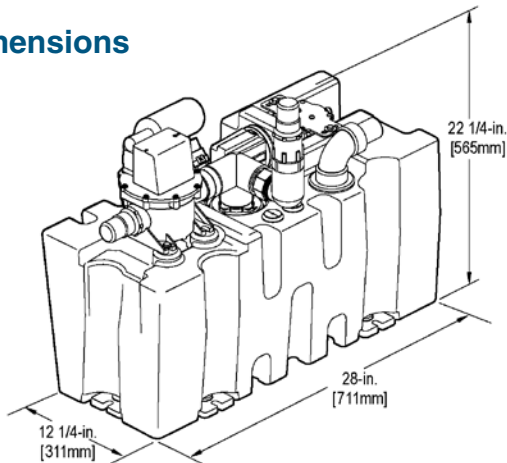
VHT4500 Vacuum Holding Tank

- 9-gal (34 l) VHT waste capacity holds as many flushes as 30-gal. (114 l) tank with standard marine toilet
- Corrosion-proof, leak-proof, odor-proof – high-density polyethylene construction
- “3/4” and “full tank” level sensors
- Auto “full tank” shutdown to toilet system prevents tank overflow
- Easy to plumb and install – no solvent-bond connection required
- Optional discharge pump models available



VHT4511 with discharge pump (optional)

Dimensions



VHT4500 System Requirements

ELECTRICAL	Power draw (avg.)	3 amps/12 V DC
	Circuit breaker/fuse	5 amps/12 V DC
INLET PLUMBING	ID	1.5 in./38 mm
	Horizontal run	20 ft./6.1 m max. from toilet discharge
	Vertical run	3 ft./0.9 m max. from toilet discharge
DISCHARGE PLUMBING	ID	1.5 in./38 mm sanitation hose or PVC pipe
	Horizontal run*	30 ft./9.1 m max. to discharge fitting
	Vertical run*	6 ft./1.8 m max. to discharge fitting
VENT HOSE	ID	5/8 in./16 mm sanitation hose
REQUIRED COMPONENT	VacuFlush toilet †	

* When using VHT 4500 with SeaLand T series discharge pump (optional).
 † Purchased separately.
 Specifications subject to change without notice.

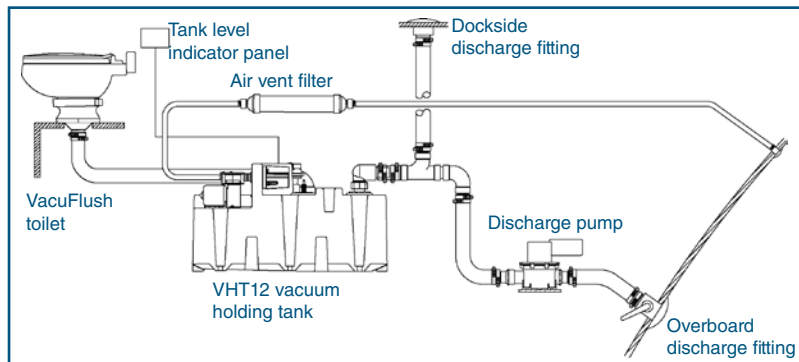
VHT4500 Technical Specifications

MODEL	DESCRIPTION	EMPTY WEIGHT*	FULL WEIGHT*
4501	9-gal./34-liter vacuum holding tank, straight discharge fitting (vertical)	30 lbs./14 kg	102 lbs./46 kg
4502	9-gal./34-liter vacuum holding tank, elbow discharge fitting (vertical)		
4511	9-gal./34-liter vacuum holding tank, swivel discharge fitting		

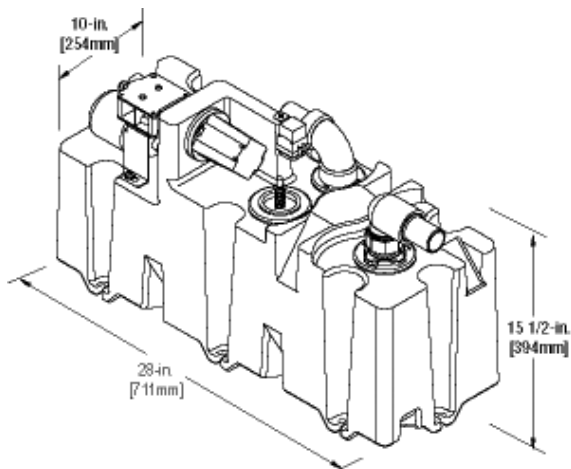
* For models with discharge pump, add 8 lbs./3.6 kg.
 Specifications subject to change without notice.

VHT12 Vacuum Holding Tank

- 6.5-gal (25 l) VHT waste capacity holds as many flushes as 17-gal. (64 l) tank with standard marine toilet
- Corrosion-proof, leak-proof, odor-proof – high-density polyethylene construction
- Includes “full tank” level sensor (standard): VHT12 with “3/4 full” sensor option available
- Auto “full tank” shutdown to toilet system prevents tank overflow
- Easy to plumb and install – no solvent-bond connection required



Dimensions



VHT12 System Requirements

ELECTRICAL	Power draw (avg.)	3 amps/12 V DC
	Circuit breaker/fuse	5 amps/12 V DC
INLET PLUMBING	ID	1.5 in./38 mm sanitation hose or PVC pipe
	Horizontal run	20 ft./6.1 m max. from toilet discharge
	Vertical run	3 ft./0.9 m max. from toilet discharge
DISCHARGE PLUMBING	ID	1.5 in./38 mm sanitation hose or PVC pipe
VENT HOSE	ID	5/8 in./16 mm sanitation hose
REQUIRED COMPONENT	VacuFlush toilet †	

† Purchased separately.
Specifications subject to change without notice.

VHT12 Technical Specifications

MODEL	DESCRIPTION	EMPTY WEIGHT	FULL WEIGHT
VHT12	6.5-gal./25-liter vacuum holding tank with “full tank” sensor	26.5 lbs./12 kg	81 lbs./37 kg

For models with “3/4 full” tank sensor, contact factory.
Specifications subject to change without notice.

Recommended
for Sailboats

SailVac™ 5200 Vacuum Holding Tank

Maximizes Capacity, Minimizes Water Use



SailVac™ 5200
Vacuum Holding Tank

Cruise Longer, Pump Out Less

VacuFlush® holding tank technology is now optimized for sailboats with a compact vacuum tank/holding tank featuring newly developed SailVac™ design. By engineering a vacuum generator and holding tank into a single, slim, hull-hugging unit, the SailVac™ 5200 now meets the demands of sailboat applications more effectively than other sailboat toilet systems.

Special SailVac design features include a tall, slim tank that curves and narrows to fit the outboard space that's typical of sailboat heads; an interior baffle system to protect vacuum components from wastewater at high angles of heel; and reinforcing ribs to prevent tank distortion while storing vacuum or during pump-out.

Miserly Water Consumption Increases Cruising Time and Pleasure

With powerful vacuum propulsion, VacuFlush toilets use as little as one pint (0.5 l) of fresh water per flush. This allows more than three times the number of flushes than conventional marine toilets before holding tank capacity is reached, and also keeps sanitation hoses clear to prevent hose odor permeation.

Premium Power Conservation

Boaters are keenly aware of power consumption. The SailVac 5200 meets tight power restrictions by requiring only three amps per flush from a 12V DC power supply. For optimum energy efficiency, install a VacuFlush pedal-operated toilet (not included) which requires no electrical connections. VacuFlush electric-flush toilets are also available.

Key Benefits

- Compact unit incorporates vacuum pump, vacuum reservoir, and holding tank
- Vertical, curved profile for hull installation
- 14-gal. (53-l) tank capacity
- When used with VacuFlush toilet, provides tank capacity for two people for four days
- Roto-molded, 8-mm-thick polyethylene construction
- Corrosion-proof, leak-proof and odor-proof
- Thorough pump-out with diptube discharge from interior tank bottom
- Vent fitting connects to 5/8 in. (16 mm) ID hose
- 3/4- and full-tank sensor probes
- Auto shutdown relay turns off toilet system when tank is full to prevent overfilling
- Optional tank-level indicator panel.
- Deep green tank color

Technical Specifications for SailVac 5200 Vacuum Holding Tank

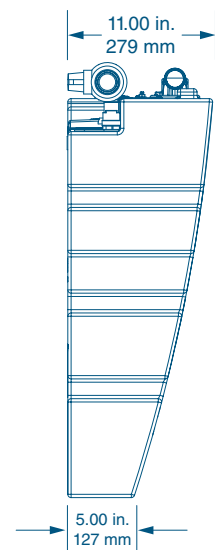
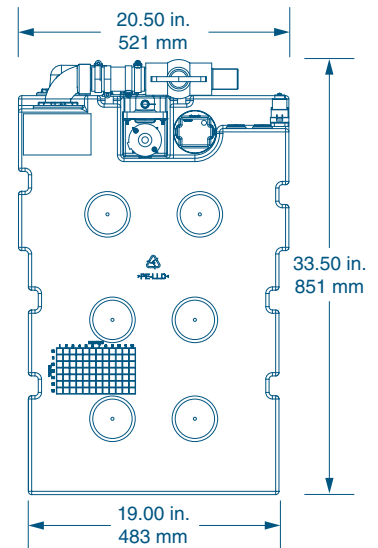
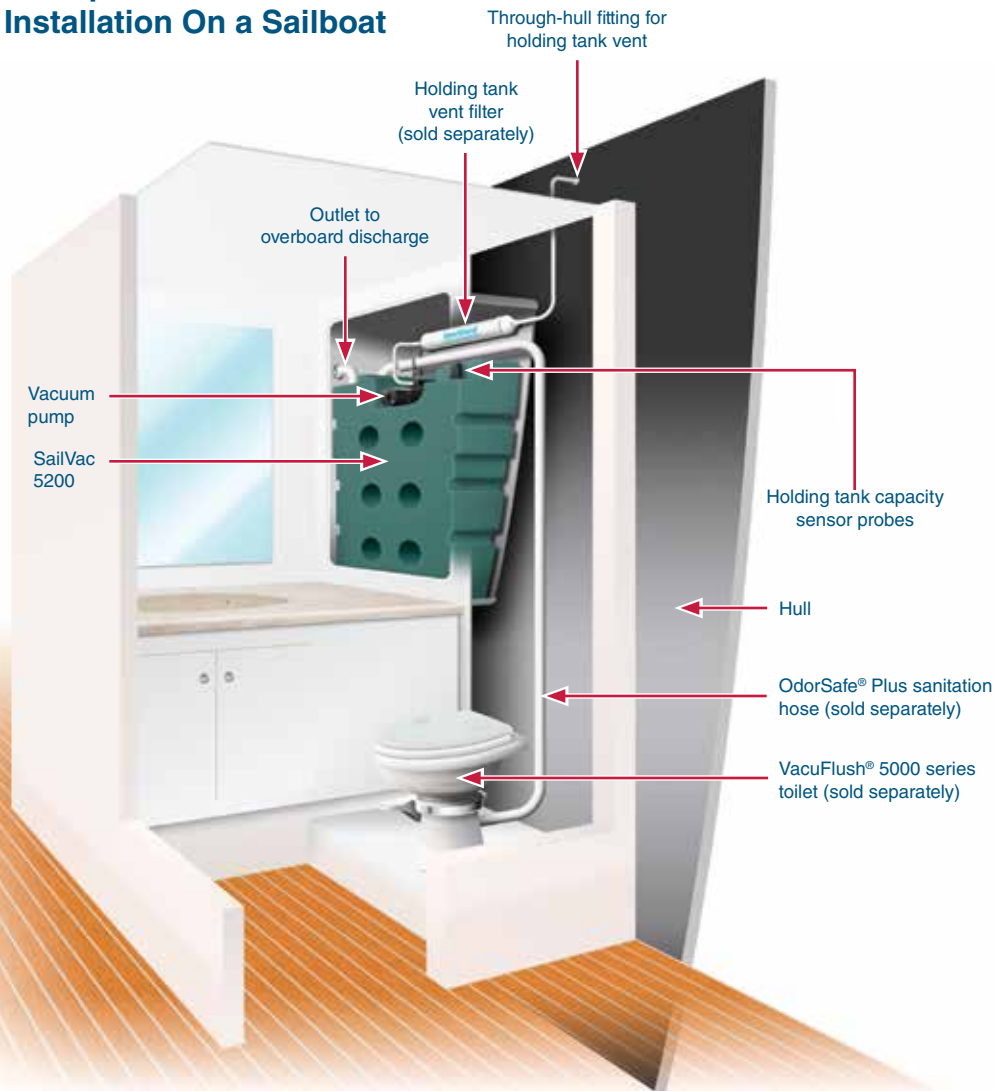
MODEL	CAPACITY (US GAL./L)	MAX. HEIGHT (IN/MM) ⁽¹⁾	WIDTH (IN/MM)	DEPTH @ TOP (IN/MM)	DEPTH @ BOTTOM (IN/MM)	AMPS
VHT5200	14.0/53	33.50/851	20.50/521	11.00/279	5.00/127	3 @ 12V DC

SailVac 5200 System Requirements

ELECTRICAL		INLET PLUMBING			DISCHARGE PLUMBING ID	VENT HOSE ID	REQUIRED COMPONENT
POWER DRAW (AVG.)	CIRCUIT BREAKER/FUSE	ID	HORIZONTAL RUN	VERTICAL RUN			
3 amps/12V DC	5 amps/12V DC	1.5 in./38 mm sanitation hose or PVC pipe	13 ft./4 m max. from toilet discharge	5 ft./1.5 m max. from toilet discharge	1.5 in./38 mm sanitation hose or PVC pipe	5/8 in./38 mm sanitation hose or PVC pipe	VacuFlush toilet(2)

Notes:
⁽¹⁾ Height includes fittings mounted on the top of the tank.
⁽²⁾ Purchased separately.

Example of the SailVac 5200 Installation On a Sailboat



DOMETIC CORPORATION, SANITATION DIVISION
 13128 SR 226, PO Box 38 | Big Prairie, OH 44611 USA | 330-439-5550 | Fax 330-496-3097
 www.DometicSanitation.com | SeaLand@Dometic.com

Dealer:

HTS-VG VacuFlush® Holding Tanks

Complete VacuFlush® Tank Systems In One Package

Virtually any boat from 25 feet (7.6 m) can feature a completely integrated VacuFlush toilet system by virtue of HTS-VG series holding tank systems. Our range of popular tank sizes and choice of convenience options make VacuFlush systems the most installer- and user-friendly toilet systems in motor yachts and other pleasure boats.

HTS-VG VacuFlush Holding Tank Systems

- 12 standard, full-featured models for easy specifying and installing
- Corrosion-proof, leak-proof, odor-proof – high-density polyethylene tank construction
- “Whisper-quiet” vacuum and discharge* pump operation
- All components are pre-wired, pre-plumbed, pre-tested
- Easy to install – no solvent-bond connection required
- ISO/USCG compliant tanks

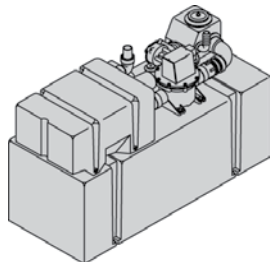
* Discharge pump not included with every HTS-VG model



28 HTS-VG

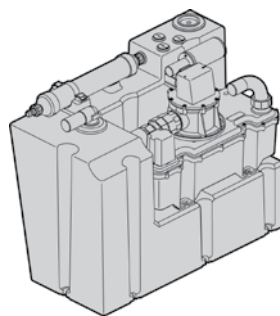
10 HTS-VG

Height: 16 in./406 mm Item: 322711012 – 12V
 Width: 10.875 in./276 mm Item: 322101024 – 24V
 Length: 32.375 in./822 mm



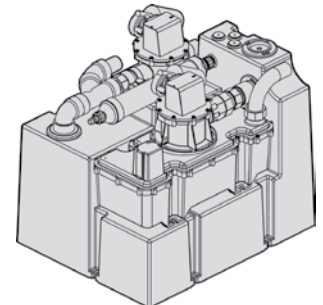
18 HTS-VG

Height: 23 in./584 mm Item: 322711812 – 12V
 Width: 15.25 in./387 mm Item: 322011824 – 24V
 Length: 29.125 in./740 mm



21 HTS-VG

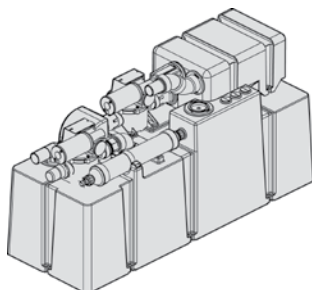
Height: 22 in./559 mm Item: 322702112 – 12V
 Width: 20 in./508 mm Item: 322702124 – 24V
 Length: 25 in./635 mm



Dimensions include height of fittings and accessories

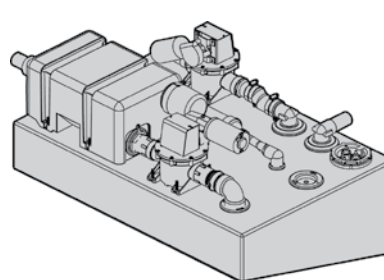
27 HTS-VG

Height: 21.375 in./543 mm Item: 322712712 – 12V
 Width: 14.75 in./375 mm Item: 322712724 – 24V
 Length: 42 in./1067 mm



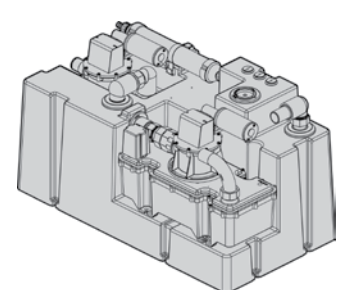
28 HTS-VG-HL

Height: 19.625 in./498 mm Item: 322722812 – 12V
 Width: 24.25 in./616 mm Item: 322722824 – 24V
 Length: 38.5 in./978 mm



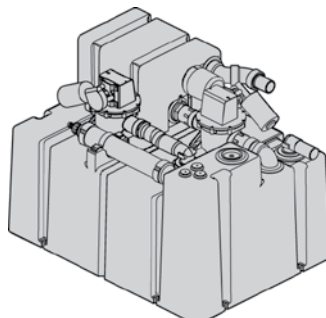
28 HTS-VG

Height: 19.75 in./502 mm Item: 322712812 – 12V
 Width: 19.25 in./489 mm Item: 322712824 – 24V
 Length: 36.75 in./933 mm



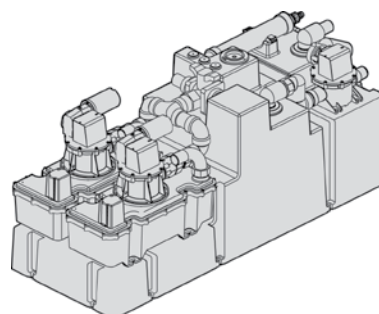
35 HTS-VG

Height: 21.5 in./546 mm
 Width: 22.5 in./572 mm
 Length: 32 in./813 mm
 Item: 322713512 – 12V
 Item: 322013524 – 24V



39 HTS-VG (for 2 VacuFlush toilets)

Height: 21.5 in./546 mm
 Width: 18.5 in./470 mm
 Length: 51 in./1295 mm
 Item: 322703912 – 12V
 Item: 322703924 – 24V



HTS-VG Series VacuFlush Holding Tank System Technical Specifications

MODEL	CAPACITY (GAL./LITERS)	EMPTY WEIGHT (LBS./KG)	MAX. WEIGHT (LBS./KG)	VACUUM GENERATOR (QTY)	OUTLETS (QTY)	DISCHARGE PUMP	VENT FILTER
10 HTS-VG	10 / 38	36 / 16.3	116 / 52.6	1	1	–	–
18 HTS-VG	18 / 68	39 / 17.7	183 / 83	1	1	–	included
21 HTS-VG	21 / 80	52 / 24	220 / 100	1	2	included	included
27 HTS-VG	27 / 102	56 / 25.4	272 / 123	1	2	included	included
28 HTS-VG	27.5 / 104	56.5 / 25.6	277 / 126	1	2	included	included
28 HTS-VG-HL	28 / 106	56.5 / 25.6	281 / 128	1	2	included	included
35 HTS-VG	35 / 132	58 / 26.3	338 / 153	1	2	included	included
39 HTS-VG	39 / 148	84 / 38	396 / 180	2	2	included	included
40 HTS-VG	40 / 151	80 / 36.4	440 / 200	2	2	included	included
42 HTS-VG	42 / 159	70 / 31.8	406 / 184	1	2	included	included
55 HTS-VG	55 / 208	90 / 40.8	530 / 240	2	2	included	–
80 HTS-VG	80 / 302	90 / 40.8	730 / 331	2	2	included	–

All HTS-VG models shown here include DTM04 four-level tank monitor system and TankSaver relief valve. All vacuum generators include VacuFlush shutdown relay. Available in 12 V and 24 V DC systems. Specifications subject to change without notice.

HTS-VG System Requirements

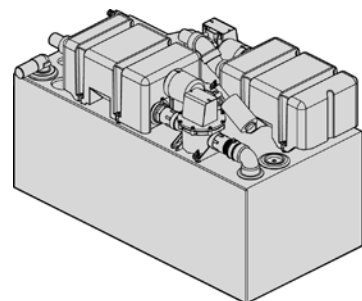
		VACUUM GENERATOR*	DISCHARGE PUMP*	DTM04 TANK MONITOR
ELECTRICAL	Power draw (avg.)	6 amps/12 V DC 3 amps/24 V DC	6 amps/12 V DC 3 amps/24 V DC	0.15 amp/12 V DC 0.09 amp/24 V DC
	Circuit breaker/fuse	10 amps/12 V DC 5 amps/24 V DC	10 amps/12 V DC 5 amps/24 V DC	1 amp/12 V DC 1 amp/24 V DC
INLET PLUMBING	ID	1.5 in./38 mm sanitation hose or PVC pipe		
	Horizontal run	50 ft./15.2 m max. from toilet discharge		
	Vertical run	6 ft./1.8 m max. from toilet discharge		
DISCHARGE PLUMBING	ID	1.5 in./38 mm sanitation hose or PVC pipe		
	Horizontal run**	30 ft./9.1 m max. to discharge fitting		
	Vertical run**	6 ft./1.8 m max. to discharge fitting		
VENT HOSE	ID	5/8 in./16 mm sanitation hose		
REQUIRED COMPONENT	VacuFlush toilet †			

* Requires separate circuit breaker or fuse.

** For models with T series discharge pump.

† Purchased separately. Electronic-flush VacuFlush toilets require separate electrical circuit. Refer to toilet specifications.

Specifications subject to change without notice.



55 HTS-VG (for 2 VacuFlush toilets)

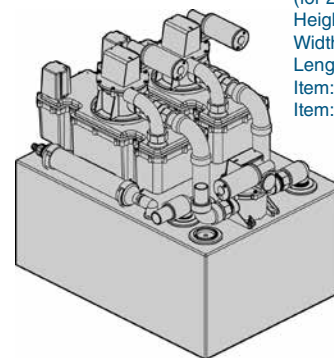
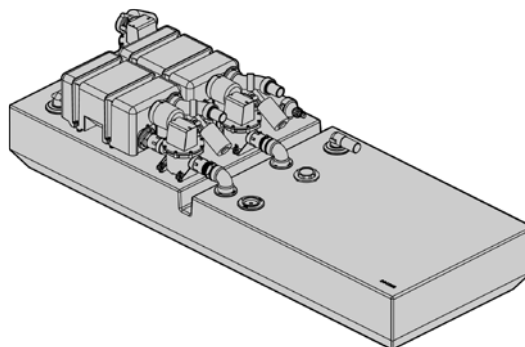
Height: 24 in./610 mm
Width: 21.5 in./546 mm
Length: 40 in./1016 mm

Item: 322715512 – 12V
Item: 322715524 – 24V

80 HTS-VG (for 2 VacuFlush toilets)

Height: 17.5 in./445 mm
Width: 28 in./711 mm
Length: 76 in./1930 mm

Item: 322718012 – 12V
Item: 322718024 – 24V



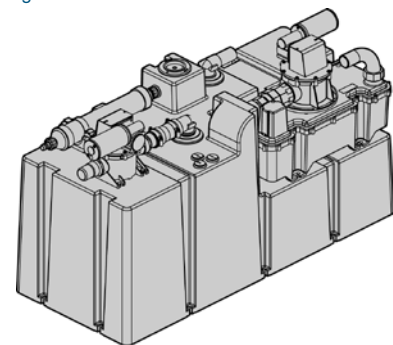
40 HTS-VG

(for 2 VacuFlush toilets)
Height: 28.5 in./724 mm
Width: 22 in./559 mm
Length: 32 in./813 mm
Item: 322714012 – 12V
Item: 322714024 – 24V

42 HTS-VG

Height: 25.25 in./641 mm
Width: 18 in./457 mm
Length: 44.5 in./1130 mm

Item: 322714212 – 12V
Item: 322714224 – 24V



Dimensions include height of fittings and accessories

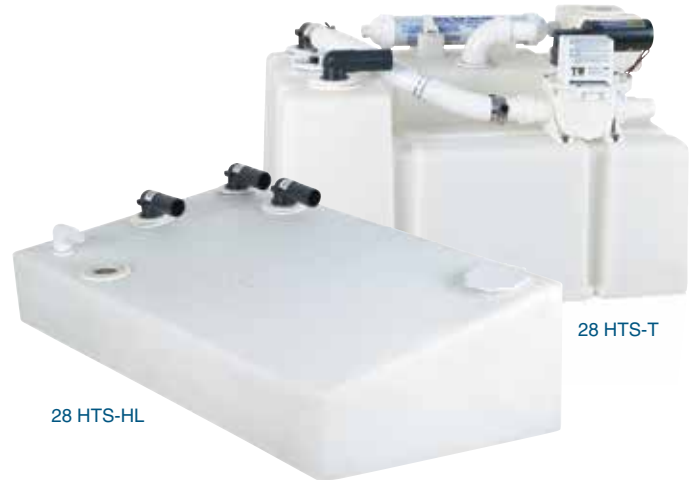
HTS SeaLand® Holding Tank Systems

Odor-Free, Premium-Quality Performance

Boatowners can now realize the benefits of a user-friendly, properly-sized holding tank in virtually any Type III MSD system with this wide selection of SeaLand holding tank systems. Both HTS-T and Basic series use top-mounted fittings and diptube discharge plumbing to prevent potential leaks. Multiple discharge outlets eliminate need for complex plumbing and extra discharge line connections.

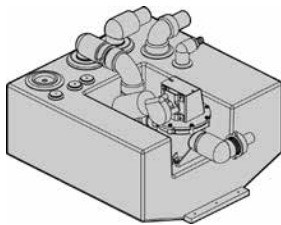
HTS-T and Basic Series SeaLand Holding Tank Systems

- HTS-T models include T series discharge pump
- Corrosion-proof, leak-proof, odor-proof – high-density polyethylene tank construction
- “Diptube-style” discharge fittings for thorough, leak-proof pump-out
- All components pre-plumbed, pre-tested
- Easy to install – no solvent-bond connection required
- ISO/USCG compliant tanks



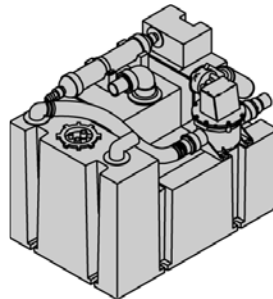
10 HTS-T

Height: 13.25 in./635 mm Item: 322721012 – 12V
 Width: 19.5 in./495 mm Item: 322721024 – 24V
 Length: 23.375 in./594 mm



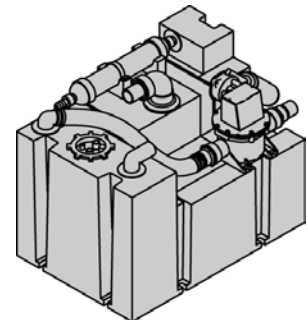
28 HTS-T

Height: 19.5 in./495 mm Item: 322012812 – 12V
 Width: 19 in./483 mm Item: 322012824 – 24V
 Length: 30 in./762 mm



40 HTS-T

Height: 20 in./508 mm Item: 322014012 – 12V
 Width: 21 in./533 mm Item: 322014024 – 24V
 Length: 35 in./889 mm



HTS-T Series SeaLand Holding Tank System Technical Specifications

MODEL	CAPACITY (GAL./LITERS)	EMPTY WEIGHT (LBS./KG)	MAX. WEIGHT (LBS./KG)	OUTLETS (QTY)	VENT FILTER
10 HTS-T	10 / 38	18 / 8.2	98 / 40.9	2	–
28 HTS-T	28 / 106	40 / 18	260 / 118	2	included
40 HTS-T	40 / 151	44 / 20	364 / 165	2	included

Dimensions include height of fittings and accessories

All HTS-T models shown here include SeaLand T-series discharge pump, DTM04 four-level tank monitor system, and TankSaver relief valve. Available in 12 V and 24 V DC systems. Specifications subject to change without notice.

HTS-T Series System Requirements

		DISCHARGE PUMP*	DTM04 TANK MONITOR
ELECTRICAL	Power draw (avg.)	6 amps/12 V DC 3 amps/24 V DC	0.15 amp/12 V DC 0.09 amp/24 V DC
	Circuit breaker/fuse	10 amps/12 V DC 5 amps/24 V DC	1 amp/12 V DC 1 amp/24 V DC
INLET PLUMBING	ID	1.5 in./38 mm sanitation hose or PVC pipe	

DISCHARGE PLUMBING	ID	1.5 in./38 mm sanitation hose or PVC pipe
	Horizontal run	30 ft./9.1 m max. to discharge fitting
	Vertical run	6 ft./1.8 m max. to discharge fitting
VENT HOSE	ID	5/8 in./16 mm sanitation hose

* Requires separate circuit breaker or fuse. Specifications subject to change without notice.

HTS-Basic Series SeaLand Holding Tank System Technical Specifications

MODEL	CAPACITY (GAL./LITERS)	EMPTY WEIGHT (LBS./KG)	MAX. WEIGHT (LBS./KG)
12 HTS-VRT	11 / 42	20 / 9.1	108 / 49
12 HTS-HRZ	11 / 42	20 / 9.1	108 / 49
12 HTS-HL	12 / 45	22 / 10	118 / 53.5
15 HTS-VRT	15 / 57	25 / 11.3	145 / 65.8
15 HTS-HRZ	15 / 57	25 / 11.3	145 / 65.8
20 HTS-VRT	18 / 68	27 / 12.2	171 / 77.6
20 HTS-HRZ	18 / 68	27 / 12.2	171 / 77.6
25 HTS-HRZ	25 / 94	31 / 14.1	231 / 105

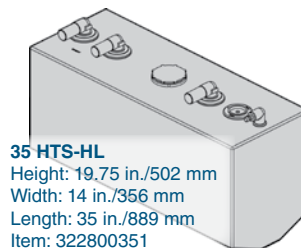
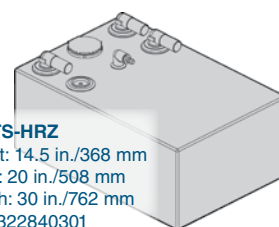
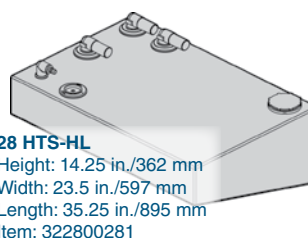
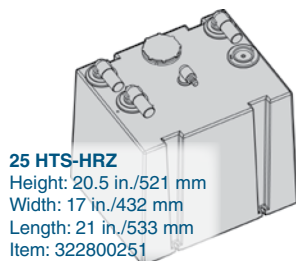
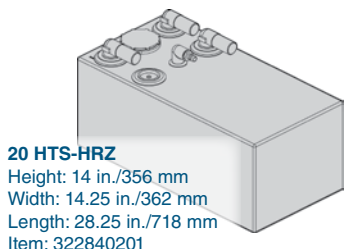
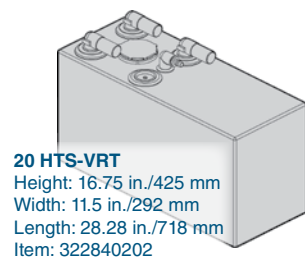
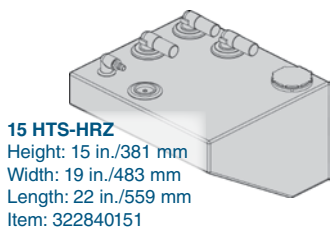
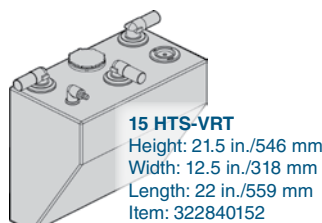
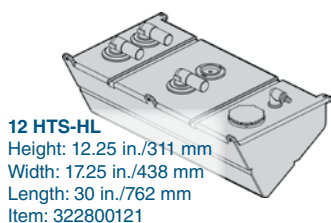
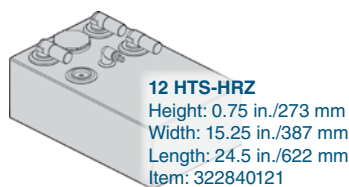
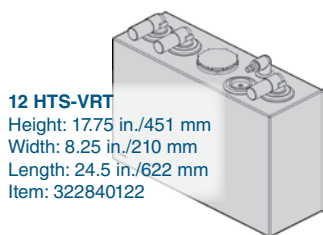
MODEL	CAPACITY (GAL./LITERS)	EMPTY WEIGHT (LBS./KG)	MAX. WEIGHT (LBS./KG)
28 HTS-HL	28 / 106	37 / 16.8	261 / 118
30 HTS-HRZ	28 / 106	37 / 16.8	261 / 118
35 HTS-HL	35 / 132	38 / 17.2	318 / 144
40 HTS-HRZ	34 / 129	41 / 18.6	313 / 142
50 HTS-VRT-HL	50 / 189	53 / 24	453 / 205
50 HTS-HRZ-HL	50 / 189	53 / 24	453 / 205
55 HTS-HRZ	55 / 208	53 / 24	493 / 224
80 HTS-HRZ	80 / 302	54 / 24.5	694 / 315

HTS-Basic Series System Requirements

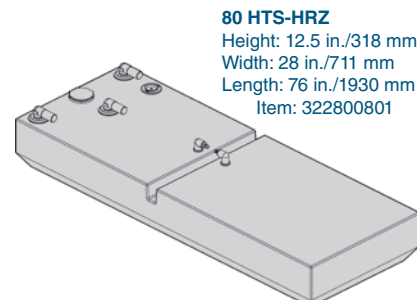
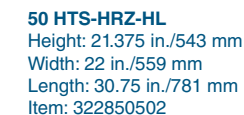
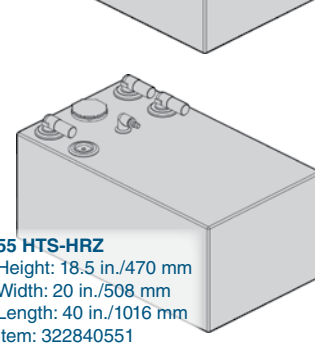
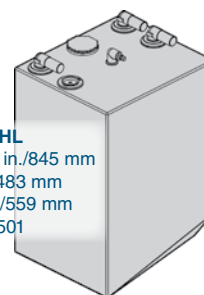
INLET PLUMBING	ID	1.5 in./38 mm sanitation hose or PVC pipe
DISCHARGE PLUMBING	ID	1.5 in./38 mm sanitation hose or PVC pipe
VENT HOSE	ID	5/8 in./16 mm sanitation hose

Specifications subject to change without notice.

All HTS Basic models include two discharge outlets and a TankSaver relief valve. Specifications subject to change without notice.



Dimensions include height of fittings and accessories



SeaLand® DTM Series Tank Monitor Systems

Continuous Status of Onboard Waste System and Water Tanks



- Key Benefits**
- Monitors empty, low, mid and full levels
 - Continuous light indicates power is on
 - No false readings. No electrical components contact water
 - Easy to install. Two probe assembly length options fit tanks up to 22 in./55.9 cm and 45 in./114.3 cm tall
 - Optional relay shuts down toilet when waste tank is full (DTM04); or shuts down water pump when freshwater tank is full (DTMF04)
 - 12V DC or 24V DC operation

Accurate, continuous tracking of tank capacities is enjoyed by boatowners with our complete series of DTM tank monitors. Each DTM panel provides easy-to-read, distinctive LED illumination that indicate up to four levels of tank contents. Level probes install in SeaLand or other rigid tanks* and are adjustable to desired level indication heights. DTM04, DTM08 and DTM12 panels can connect with DTD tank discharge control to offer convenient holding tank discharge options.

* May require SeaLand Holding Tank Flange Kit, p/n 307230272.

DTM04

DTM04 four-level tank monitor system for waste holding tank. Includes one set of tank probes.



DTM08

DTM08 four-level tank monitor system for waste holding tank and freshwater tank. Includes two sets of tank probes.



DTM12

DTM12 four-level tank monitor system for waste, graywater, and freshwater tanks. Includes three sets of tank probes.



DTMF04

DTMF04 four-level tank monitor system for freshwater tank. Includes one set of tank probes.



DTM01C

Single-level tank monitor system indicates when waste holding tank is full. Requires 3-in. dia. threaded tank opening for probe cap.



DTM01

Single-level tank monitor system indicates when waste holding tank is full. Probe assembly installs on virtually any rigid tank material.



Shut-down Relay

With DTM04 system, relay shuts off power to toilet when holding tank is full. With DTMF04 system, relay shuts off water pump when freshwater tank is empty. Plugs into back of indicator panel.



DTM Series Product Information

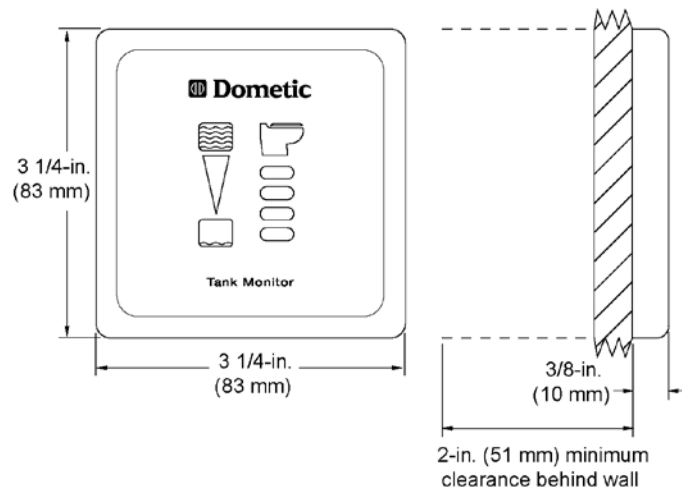
MODEL	DESCRIPTION	ITEM
DTM04	4-light waste tank panel – black; one 4-level probe cap assembly with vent, 22-in. stems	313604001
	4-light waste tank panel – black; one 4-level probe cap assembly, 22-in. stems	313604002
	4-light waste tank panel – black; one 4-level probe cap assembly with vent, 45-in. stems	313604003
	4-light waste tank panel – black; one 4-level probe cap assembly, 45-in. stems	313604004
DTM08	8-light 2-tank panel – black; two 4-level probe cap assemblies with vent, 22-in. stems	360608001
	8-light 2-tank panel – black; two 4-level probe cap assemblies, 22-in. stems	360608002
	8-light 2-tank panel – black; two 4-level probe cap assemblies with vent, 45-in. stems	360608003
	8-light 2-tank panel – black; two 4-level probe cap assemblies, 45-in. stems	360608004
DTM12	12-light 3-tank panel – black; three 4-level probe cap assemblies with vent, 22-in. stems	360612001
	12-light 3-tank panel – black; three 4-level probe cap assemblies, 22-in. stems	360612002
	12-light 3-tank panel – black; three 4-level probe cap assemblies with vent, 45-in. stems	360612003
	12-light 3-tank panel – black; three 4-level probe cap assemblies, 45-in. stems	360612004
DTMF04	4-light freshwater tank panel – black; one 4-level probe cap assembly with vent, 22-in. stems	360614001
	4-light freshwater tank panel – black; one 4-level probe cap assembly, 22-in. stems	360614002
	4-light freshwater tank panel – black; one 4-level probe cap assembly with vent, 45-in. stems	360614003
	4-light freshwater tank panel – black; one 4-level probe cap assembly, 45-in. stems	360614004
DTM01	1-light waste tank panel – black; 1-level probe assembly	313002311
DTM01C	1-light waste tank panel – black; 1-level probe cap assembly	313002312
SDR12	Shut-down relay for DTM04 and DTMF04 systems, 12V DC	385311579
SDR24	Shut-down relay for DTM04 and DTMF04 systems, 24V DC	385311580

DTM04, DTM08, DTM12, DTMF04 models also available with white panels. See price guide for item numbers. Specifications subject to change without notice.

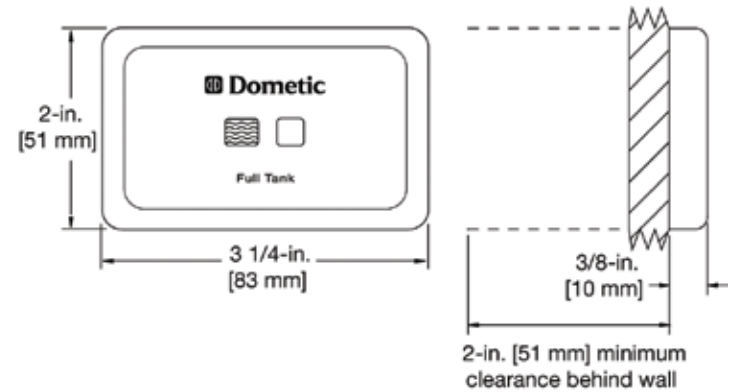
12V DC	DTM01/C	DTM04	DTM08	DTM12	DTMF04
without shut-down relay	0.016 A	0.008 A	0.016 A	0.024 A	0.008 A
with shut-down relay	N/A	0.145 A	N/A	N/A	0.145 A
24V DC	DTM01/C	DTM04	DTM08	DTM12	DTMF04
without shut-down relay	0.008 A	0.004 A	0.008 A	0.012 A	0.004 A
with shut-down relay	N/A	0.090 A	N/A	N/A	0.090 A

Maximum shut-down relay rating for electric toilet (with DTM04) or freshwater pump (with DTMF04) is 30 amps. Specifications subject to change without notice.

DTM04, DTM08, DTM12, DTMF04 Panel Dimensions



DTM01, DTM01C Panel Dimensions



SeaLand® DTD Series Tank Discharge Controls

Allows Manual or Automatic Discharge Pump Operation

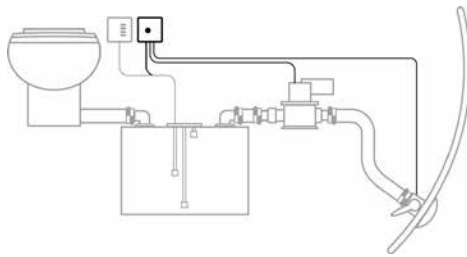
DTD Tank Discharge Controls

Where overboard discharge of a waste holding tank is permitted, SeaLand DTD controls offer many options to match preferred methods of tank discharge operation. A key-operated switch allows the user to activate the discharge pump, or set the DTD panel for semi- or fully-automatic operation, depending on the DTD model. All panels include a green light that indicates when the discharge pump is running. DTD controls can be used with a discharge pump operating on the same voltage and a maximum circuit rating of 20 amps.

- Key Benefits – DTD01, DTD02**
- Manually activates pump to discharge holding tank contents directly overboard in unrestricted waters
 - Green light indicates when discharge pump is running; reminds operator to shut off pump to prevent burn-out
 - Keyed switch provides U.S. Coast Guard-approved security when key is removed; no padlocks or other mechanical fasteners are required
 - When integrated with DTM04 tank monitor system, discharge pump automatically shuts off when tank is empty
 - DTD02 panel provides warning indicator and prevents discharge pump operation if seacock is closed; prevents pump or boat damage



Seacock interlock switch
 Optional accessory connects to DTD02/A systems to prevent potential damage of pumping out against closed seacock.



DTD01 control options

A. Manual discharge pump operation.

B. Semi-automatic operation when connected to DTM04 tank monitor system – automatically turns discharge pump off when tank is empty (see below).

1. When DTM04 monitor indicates “full” holding tank, insert key in switch and turn to momentary “start” position. Allow key to return to “on” position. Green light indicates pump is running.
2. When tank monitor indicates “empty”, discharge pump will turn off automatically. Turn key to left and remove from switch.

DTD02 control options

A. Manual discharge pump operation and “closed seacock” warning indicator.

B. Semi-automatic operation when connected to DTM04 tank monitor system – automatically turns discharge pump off when tank is empty (see below).

1. When DTM04 monitor indicates “full” holding tank, insert key in switch and turn to momentary “start” position. If seacock is closed, the yellow warning light illuminates.
2. Open seacock for overboard discharge. Turn key to momentary “start”, and allow key to return to “on” position. Green light indicates pump is running.
3. When tank monitor indicates “empty” discharge pump will turn off automatically. Close seacock, then turn key to left and remove from switch.

Fully Automatic SeaLand® DTD Systems

Complete Holding Tank Management for Offshore Boats

Combined with SeaLand discharge pump and DTM04 four-level tank monitor system (sold separately), DTD01A or DTD02A tank discharge controls offer fully automated monitoring and discharge of holding tank contents. When re-entering restricted “no discharge” waters, the switch can be turned off and the key removed for U.S. Coast Guard-approved security.

DTD01A* and DTD02A control options

A. Manual discharge pump operation and “closed seacock” warning indicator.
 B. Fully-automatic operation when connected to DTM04 tank monitor system and SeaLand discharge pump (see below).

- When in open waters and automatic pump-out is desired, insert key and turn to automatic power position. If seacock is closed, the yellow warning light illuminates.
- Open seacock for overboard discharge. As holding tank fills and “mid” level is reached, discharge pump is activated. Green light indicates pump is running.
- When effluent level activates “empty” tank probe, discharge pump automatically stops.

*“Closed seacock” warning indicator functions do not apply to DTD01A.



DTD Panel Dimensions – all models
 3.25 in. w x 3.25 in. h / 83 mm x 83 mm

Key Benefits – DTD01A, DTD02A

- Automatically discharges holding tank contents directly overboard in unrestricted waters
- Automatically shuts off pump when discharge is complete
- DTD02A panel provides warning indicator and prevents discharge pump operation if seacock is closed; prevents pump or boat damage

DTD Controls Product Information

MODEL	DESCRIPTION	PANEL COLOR	V DC	ITEM
DTD01	Discharge pump control panel; manual or semi-auto* operation	black	12	313814101
			24	313814103
		white	12	313814102
			24	313814104
DTD02	Discharge pump control and seacock warning panel; manual or semi-automatic* operation	black	12	313814201
			24	313814203
		white	12	313814202
			24	313814204
DTD01A	Discharge pump control panel; manual or fully automatic* operation	black	12	313814301
			24	313814303
		white	12	313814302
			24	313814304
DTD02A	Discharge pump control and seacock warning panel; manual or fully automatic* operation	black	12	313814401
			24	313814403
		white	12	313814402
			24	313814404

* When used in combination with DTM04 tank monitor system. Specifications subject to change without notice.

DTD Series Electrical Current Draw

	DTD01	DTD02	DTD01A	DTD02A
12V DC	0.16 A	0.16 A	0.16 A	0.16 A
24V DC	0.095 A	0.095 A	0.095 A	0.095 A

DTD draws electrical current only when discharge pump light or seacock warning light is illuminated.
 Maximum relay rating for 12V or 24V DC discharge pump: 20 amps.
 Float switch rating: 20 watts with resistive load (when used with DTM04 tank monitor system).
 Specifications subject to change without notice.

Seacock interlock switches

DESCRIPTION	ITEM
Seacock interlock relay and switch for Conbraco 7014701	385310651
Seacock interlock relay and switch for Groco BV1500	385310705



SeaLand® Waste Discharge Pump

Reliable Offshore Waste Tank Discharge



T series discharge pump

T Series Waste Discharge Pump

For premium tank discharge performance, SeaLand T series pumps provide unsurpassed quality and reliability. Unlike impeller-type macerator pumps, the bellow-style T pump can run dry without threat of damage. Drawing only 6 amps at 12V DC.

In waters where overboard discharge of a waste holding tank is permitted, the T pump integrates with Dometic Tank Discharge (DTD) control systems* for completely automated holding tank discharge.

* Purchased separately

T Series Pump Requirements

ELECTRICAL	Power draw (avg.)	6 amps @ 12 V DC; 3 amps @ 24 V DC
	Circuit breaker/fuse*	10 amps @ 12 V DC; 5 amps @ 24 V DC
PLUMBING	ID	1.5 in./38 mm sanitation hose or PVC pipe

* Requires separate circuit breaker or fuse from other electrical equipment. Specifications subject to change without notice.

Discharge and Suction Lifts (ft./m)

Discharge	0 / 0	2 / 0.6	4 / 1.2	6 / 1.8	8 / 2.4	10 / 3.3
Suction	10 / 3.3	8 / 2.4	6 / 1.8	4 / 1.2	2 / 0.6	0 / 0

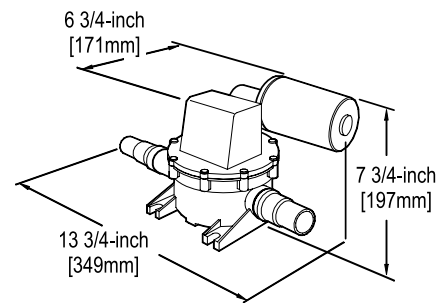
Discharge Pump Model Specifications

MODEL	DESCRIPTION	WEIGHT*
317301200	12V DC T series discharge pump	7 lbs. / 3.2 kg
317302400	24V DC T series discharge pump	7 lbs. / 3.2 kg
314115012	12V DC SaniSump sump pump	10 lbs. / 4.5 kg
314115024	24V DC SaniSump sump pump	10 lbs. / 4.5 kg

* Weight may vary ± 2-3 percent. Specifications subject to change without notice.

Key Benefits

- Produces 300 gph (1136 lph) flow rate
- Runs dry without harm (prevents motor burn-up)
- Self-priming to 10 feet (3.3 m) of water
- Draws only 6 amps at 12V DC



SaniSump™ Sump Pump

Great for fish box or other small, closed graywater systems. Includes 0.6-gallon (2.3-liter) collection tank.



- Passes solids up to 0.5 in. (13 mm) in diameter
- Delivers 5 gpm (18.9 lpm) flow rate
- No messy screen to clean

SeaLand® Sanitation Hoses

Premium Resistance to Odors; Versatile Uses

For every type of marine sanitation hose a boat builder may need, Dometic provides the most complete selection of grades and sizes available. OdorSafe® Plus hose continues to prove its superior quality as compared to other “no odor” hoses, delivering up to 500% greater protection against odor permeation. And MaxFlex™ hose is available in various sizes to meet all other sanitation and vent hose requirements.

OdorSafe® Plus Sanitation Hose

- Best odor barrier of any marine hose
- Five year limited warranty – two years on hose replacement and labor; three additional years on hose replacement only
- Standard component on pre-plumbed SeaLand holding tank systems that require sanitation hose
- Available in 50 ft. (15.2 m) coils only



OdorSafe Plus sanitation hose

MaxFlex™ Sanitation and Vent Hose

- Outstanding flexibility allows tight corners without restricting flow
- High strength, yet easy clamping for airtight connections
- Four diameters meet versatile sanitation hose applications
- Most sizes available in 50 ft. (15.2 m) and 100 ft. (32.4 m) coils



MaxFlex sanitation hose

SeaLand Sanitation Hose Order Information

ITEM NUMBER	DESCRIPTION
306342871	OdorSafe Plus 1.5 in. (38 mm) ID x 50 ft. (15.2 m) hose
306341116	MaxFlex 1.5 in. (38 mm) ID x 50 ft. (15.2 m) hose
306341145	MaxFlex 1 in. (25 mm) ID x 50 ft. (15.2 m) hose
306341628	MaxFlex 0.75 in. (19 mm) ID x 50 ft. (15.2 m) hose
306342590	MaxFlex 0.75 in. (19 mm) ID x 100 ft. (30.4 m) hose
306345650	MaxFlex 0.625 in. (16 mm) ID x 50 ft. (15.2 m) hose
306345688	MaxFlex 0.625 in. (16 mm) ID x 100 ft. (30.4 m) hose

Dometic Hose Lubricant

Silicone grease, translucent white, odorless.

- Allows easier sanitation hose-to-fitting connection
- 0.2 oz. (6 g) tube



ITEM	DESCRIPTION
385320014	Dometic hose lubricant – 50 tubes/carton

SaniGard™ Holding Tank Vent Filter

More Than 2.4 Times Better Odor Adsorption

While newer style vent filters from other manufacturers have been recently developed, none have proven to be more effective at malodorous gas adsorption than the original SeaLand SaniGard™ vent filter. Our finely calibrated filter media remove the source of offensive odors from vent lines over 2.4 times better than the closest rated competitive filter.

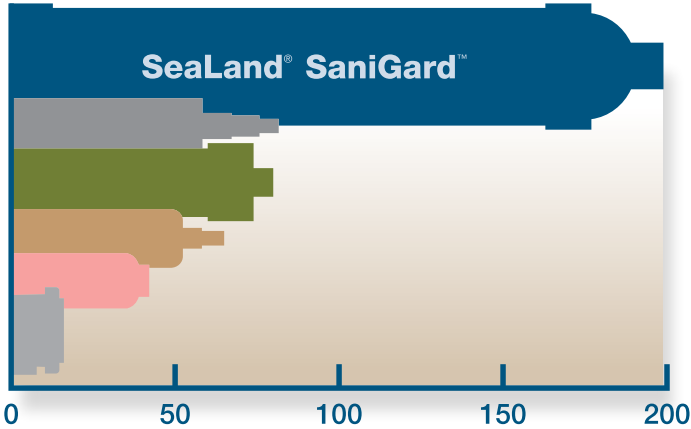


Chart indicates calculated capacity in grams of carbon disulfide that are adsorbed by each laboratory-tested* vent filter. Based on this data, SeaLand SaniGard vent filters will outlast competitive filters by factors of 2.4 to 12.6 times longer.

* Vent filter tests conducted by Intertek Group, Chicago, IL, USA.



For optimum vent filter performance:

- Replace vent filter cartridge at beginning of every boating season.

Do not use “retrofit” kits or other less-effective filters. Dispose of complete expired cartridge and replace with authentic SaniGard vent filter – it’s the safest and surest way to long-lasting odor-free, trouble-free performance.

- Do not overfill holding tank – empty it on a regular basis.

Risk of flooding and deactivating a vent filter exists if holding tank contents enter the vent line. Install SeaLand tank level monitor system to help prevent waste tank overflow.

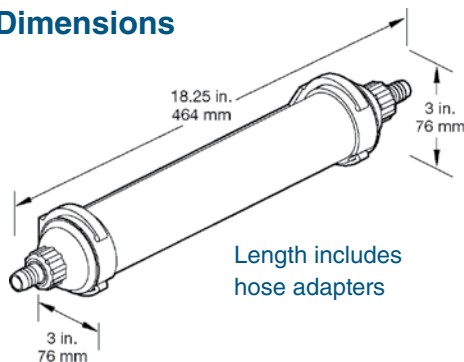
SeaLand® SaniGard™ Vent Filter Specifications

MODEL	DESCRIPTION	FITTING SIZE *
309310002	Vent filter cartridge, mounting bracket, hardware	5/8 in. - 16 mm
309310001	Vent filter replacement cartridge only	5/8 in. - 16 mm
309310007	Vent filter cartridge, mounting bracket, hardware	3/4 in. - 19 mm
309310005	Vent filter cartridge, mounting bracket, hardware	1 in. - 25 mm
309310006	Vent filter replacement cartridge only	1 in. - 25 mm
309310003	Vent filter cartridge, mounting bracket, hardware	1-1/2 in. - 38 mm
309310004	Vent filter replacement cartridge only	1-1/2 in. - 38 mm

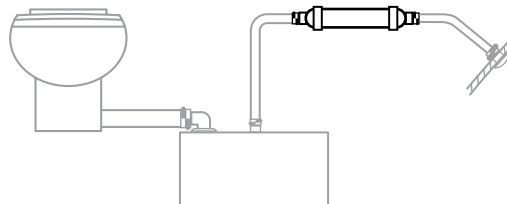
CAUTION – Do not use SaniGard vent filter for holding tanks with waste that is treated through onboard sewage treatment systems using chlorine or other strong oxidizing agents.

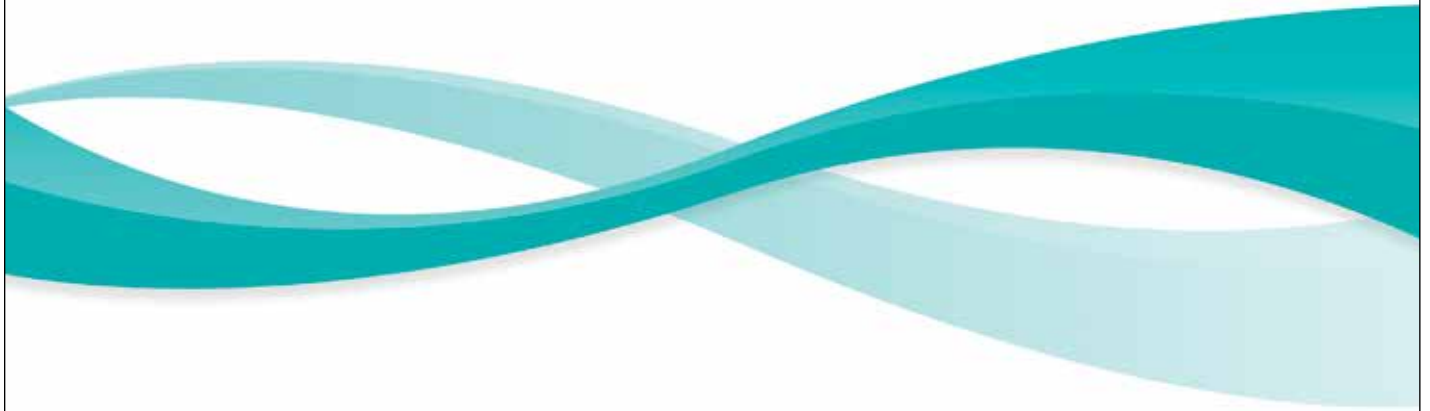
* Vent hose ID required for installation. Specifications subject to change without notice.

Dimensions



Installation Diagram





Dealer:

DOMETIC CORPORATION, SANITATION DIVISION
13128 SR 226, PO Box 38 | Big Prairie, OH 44611 USA | 330-439-5550 | Fax 330-496-3097
www.DometicSanitation.com | SeaLand@Dometic.com