



Marine Equipment

*CE certified • ISO-9001 certified
ISO-14001 certified*



INDEX

BILGE PUMPS, AUTO PUMPS, HANDY PUMPS & THRUHULL	P1-12
FLOATING SWITCHES	P13
SAFETY PROTECTOR PANEL	P14
CARAVAN PUMPS & BATTERY SWITCHES	P15
AERATOR PUMPS	P16
GALLEY PUMP, IN-LINE PUMP	P17
HAND GALLEY PUMP & FOOT PUMP	P18
WATER PUMPS	P19-20
WATER PRESSURE PUMP <small>NEW PRODUCT</small>	P21
WATER INTAKE RINSE PUMP <small>NEW PRODUCT</small>	P22
WIPER MOTORS	P23-24
WIPER MOTORS, ARMS	P25
ELECTRONIC WIPER CONTROLLER <small>NEW PRODUCT</small>	P26
HEAVY-DUTY WIPER MOTORS, ARMS & BLADES	P27-30
ELECTRIC GEAR PUMP, PORTABLE ELECTRIC OUTBOARD MOTOR FLUSHER	P31
HYDRAULIC POWER TILT / TRIM MOTOR AND ACCESSORIES	P32
BILGE BLOWERS & IN-LINE BLOWERS	P33-34
FANS & VENTILATORS	P35
MACERATOR PUMP, HAND PUMP & VENTED LOOP	P36
SHOWER & SINK DRAIN PUMP & TOILET WASTE PUMP	P37
ACCESSORIES & CERAMIC SINK WITH NANO TREATMENT	P38
MANUAL TOILETS	P39-40
ELECTRIC TOILETS <small>NEW PRODUCT</small>	P41-43
TOILET SERVICE KITS <small>NEW PRODUCT</small>	P44-46
TOILET SERVICE PARTS	P47-53
TOILET INSTALLATION	P54

TMC was established in 1971. With a sound financial support and an efficient management, **TMC** now operates in three divisions, namely Magent, Marine, and Machinery divisions. **TMC** factory occupies 6,600 square meters where 200 employees work daily.

TMC is an ISO 9001 & 14001 certified manufacturer. Customer satisfaction is the first **TMC** priority. Continuously improve in everything we do with a goal of error-free performance will be achieved through the active involvement of every employee. We are pleased to announce that the CE approved products are available from **TMC**. And **TMC's** products have been well accepted by various customers worldwide.

MAIN PRODUCTS IN TMC:

1. Ferrite Magnets
2. DC Motors
3. Marine Electric Equipment
4. Injection Moulding Machines
5. Powder Compacting Press
6. Bikes & E-Bikes
7. Cordless Garden Tools



Production Sites & Facilities



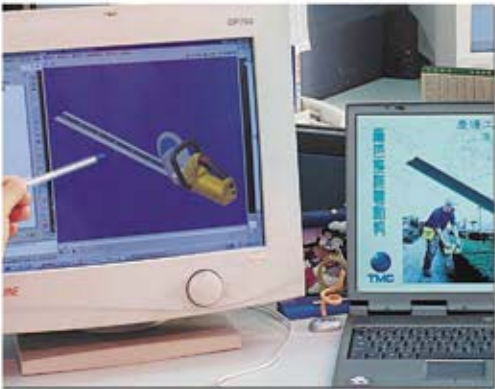
CNC Coordinate Measuring Machine



Scooter Division /
Driving Condition Simulator



Torque Meter -
Transaxle Testing System

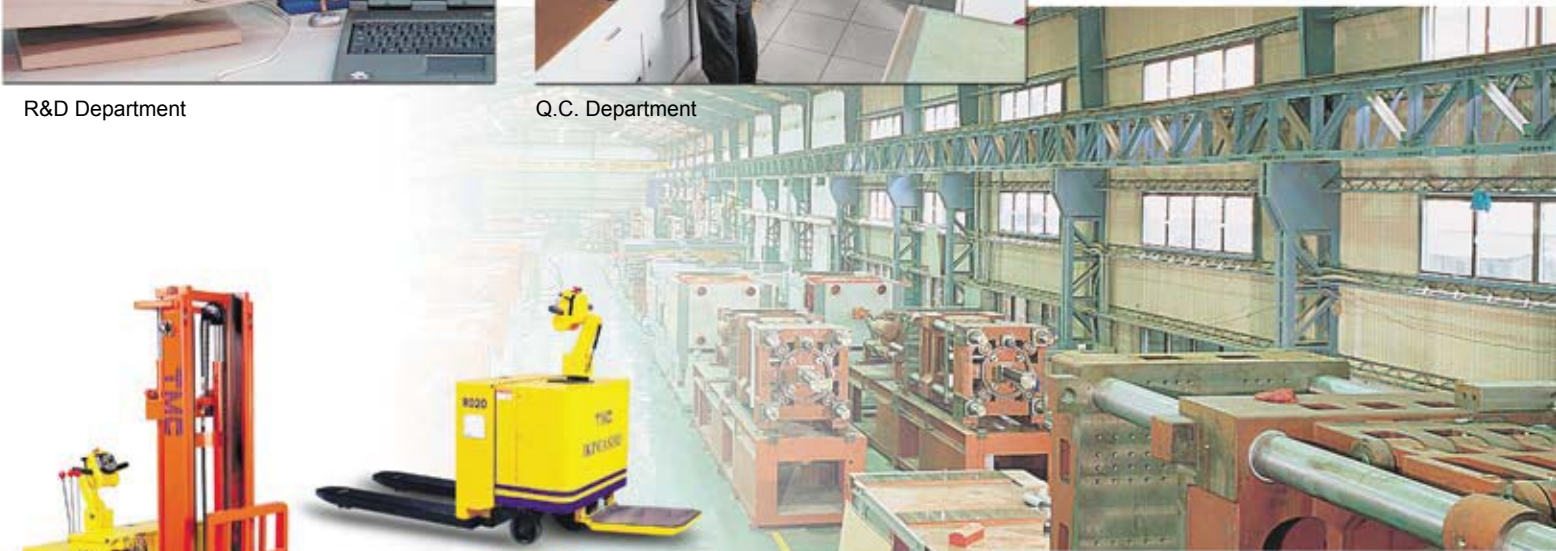


R&D Department



Q.C. Department

Injection Molding M/C Division



Electric-Powered
Forklift & Pallet Truck



Magnet Division



DC Motor & Marine Equipment Division



TMC Tech

M



Technology Corp.

Marine Equipment



BILGE PUMPS - T20 SERIES



TMC-03303

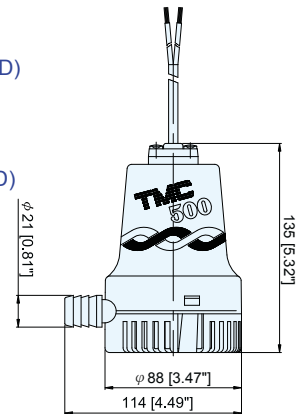
MOTOR :12V / 24V
 CAPACITY :500GPH (1890 LPH)
 AMP DRAW :4A (12V) / 2.5A (24V)
 FUSE SIZE :6A (12V) / 4A (24V)
 HOSE DIA. :3/4" (19mm)
 DELIVERY HEAD :13FT. (4M)
 DIMENSION :114x88x135 mm
 (LxWxH) (4.49"x3.47"x5.31")
 PACKING :24pcs/ctn/1.64cuft
 WEIGHT :16.9kgs/ctn
 MIN Q'TY :24pcs

ORDER NO. (COLOR-BOXED)

503-2005011 12V
 503-2005012 24V

ORDER NO. (CLAM-PACKED)

503-200501188 12V
 503-200501288 24V



TMC-03304

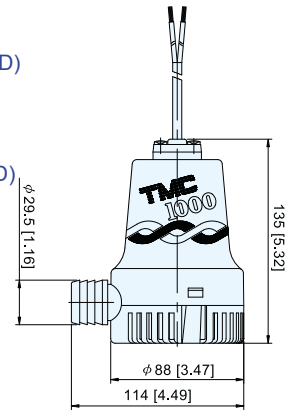
MOTOR :12V / 24V
 CAPACITY :1000GPH (3786 LPH)
 AMP DRAW :5.5A (12V) / 2.8A (24V)
 FUSE SIZE :8A (12V) / 4A(24V)
 HOSE DIA. :1-1/8"(29mm)
 DELIVERY HEAD :13FT. (4M)
 DIMENSION :114x88x135 mm
 (LxWxH) (4.49"x3.47"x5.31")
 PACKING :24pcs/ctn/1.64cuft
 WEIGHT :23.3kgs/ctn
 MIN Q'TY :24pcs

ORDER NO. (COLOR-BOXED)

503-2010011 12V
 503-2010012 24V

ORDER NO. (CLAM-PACKED)

503-201001188 12V
 503-201001288 24V

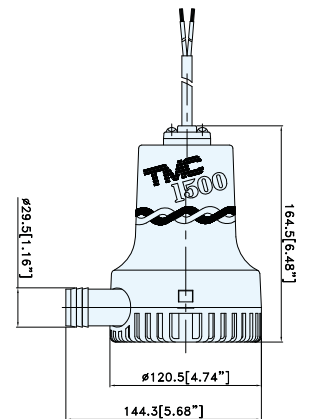


TMC-03606

MOTOR :12V / 24V
 CAPACITY :1500GPH (5676 LPH)
 AMP DRAW :8A (12V) / 4A (24V)
 FUSE SIZE :10A (12V) / 5A(24V)
 HOSE DIA. :1-1/8"(29mm)
 DELIVERY HEAD :10FT. (3M)
 DIMENSION :144.3x120.5x164.5 mm
 (LxWxH) (5.68"x4.74"x6.48")
 PACKING :12pcs/ctn/1.76cuft
 WEIGHT :17.6kgs/ctn
 MIN Q'TY :12pcs

ORDER NO.

503-2015011 12V
 503-2015012 24V

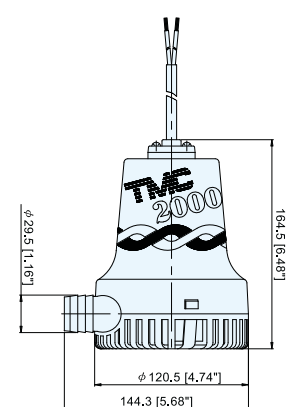


TMC-03607

MOTOR :12V / 24V
 CAPACITY :2000GPH (7572 LPH)
 AMP DRAW :10A (12V) / 5A (24V)
 FUSE SIZE :15A (12V) / 8A(24V)
 HOSE DIA. :1-1/8"(29mm)
 DELIVERY HEAD :13FT. (4M)
 DIMENSION :144.3x120.5x164.5 mm
 (LxWxH) (5.68"x4.74"x6.48")
 PACKING :12pcs/ctn/1.85cuft
 WEIGHT :18.6kgs/ctn
 MIN Q'TY :12pcs

ORDER NO.

503-2020011 12V
 503-2020012 24V



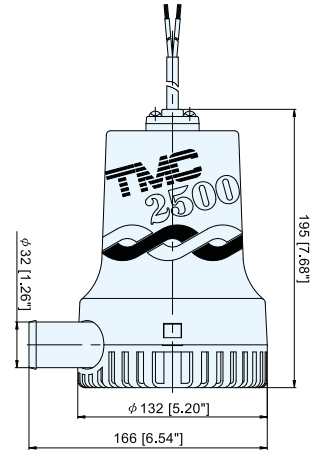
* For automatic operation please refer to p13-14

BILGE PUMPS - T20 SERIES



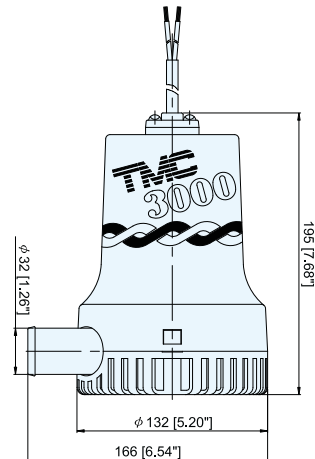
TMC-06602

MOTOR	:12V / 24V
CAPACITY	:2500GPH (9462 LPH)
AMP DRAW	:15A (12V) / 7.5A (24V)
FUSE SIZE	:20A (12V) / 12A (24V)
HOSE DIA.	:1-1/4" (32mm)
DELIVERY HEAD	:15FT. (4.6M)
DIMENSION (LxWxH)	:166x132x195 mm (6.54"x5.2"x7.68")
PACKING	:6pcs/ctn/1.51 cuft
WEIGHT	:15.2kgs/ctn
MIN Q'TY	:6pcs
ORDER NO.	
503-2025011	12V
503-2025012	24V



TMC-06604

MOTOR	:12V / 24V
CAPACITY	:3000GPH (11358 LPH)
AMP DRAW	:18A (12V) / 9A (24V)
FUSE SIZE	:20A (12V) / 10A (24V)
HOSE DIA.	:1-1/4" (32mm)
DELIVERY HEAD	:15FT. (4.6M)
DIMENSION (LxWxH)	:166x132x195 mm (6.54"x5.2"x7.68")
PACKING	:6pcs/ctn/1.51 cuft
WEIGHT	:18.3kgs/ctn
MIN Q'TY	:6pcs
ORDER NO.	
503-2030011	12V
503-2030012	24V



T20 BILGE PUMP (CLAM-PACKED)



TMC-03303 (500GPH)	TMC-03304 (1000GPH)
ORDER NO.	ORDER NO.
503-200501188 12V	503-201001188 12V
503-200501288 24V	503-201001288 24V

R18 BILGE PUMP (CLAM-PACKED)



TMC-0236701 (500GPH)	TMC-0332901 (1000GPH)
ORDER NO.	ORDER NO.
503-180501188 12V	503-181001188 12V
503-180501288 24V	503-181001288 24V

Q17 BILGE PUMP (CLAM-PACKED)



TMC-0010101 (450GPH)	TMC-0010301 (900GPH)
ORDER NO.	ORDER NO.
503-170401188 12V	503-170901188 12V
503-170401288 24V	503-170901288 24V

* For automatic operation please refer to p13-14

BILGE PUMPS - R18 SERIES

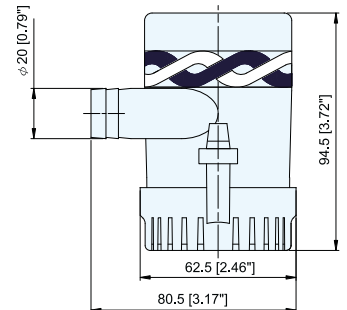


TMC-0236701

MOTOR :12V / 24V
CAPACITY :500GPH (1890 LPH)
AMP DRAW :2.5A (12V) / 1.5A (24V)
FUSE SIZE :4A (12V) / 2A(24V)
HOSE DIA. :3/4" (19mm)
DELIVERY HEAD :10FT. (3M)
DIMENSION (LxWxH) :80.5x73.5x94.5 mm (3.17"x2.89"x3.72")
PACKING :48pcs/ctn/1.74cuft
WEIGHT :19.8kgs/ctn
MIN Q'TY :48pcs

ORDER NO. (COLOR-BOXED)
 503-1805011 12V
 503-1805012 24V

ORDER NO. (CLAM-PACKED)
 503-180501188 12V
 503-180501288 24V

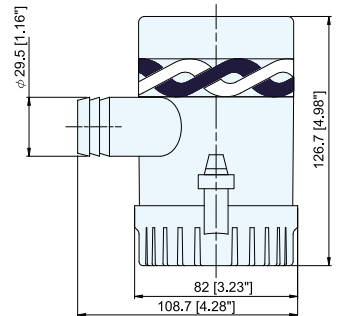


TMC-0332901

MOTOR :12V / 24V
CAPACITY :1000GPH (3786 LPH)
AMP DRAW :5A (12V) / 2.5A (24V)
FUSE SIZE :7A (12V) / 4A(24V)
HOSE DIA. :1-1/8"(29mm)
DELIVERY HEAD :13FT. (4M)
DIMENSION (LxWxH) :108.7x92.5x126.7 mm (4.28"x3.64"x4.98")
PACKING :24pcs/ctn/1.87cuft
WEIGHT :20.7kgs/ctn
MIN Q'TY :24pcs

ORDER NO. (COLOR-BOXED)
 503-1810011 12V
 503-1810012 24V

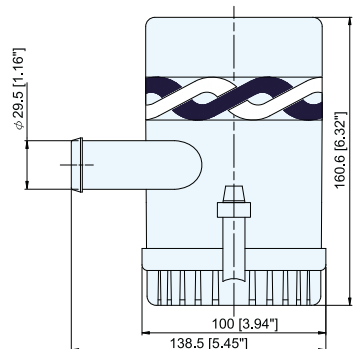
ORDER NO. (CLAM-PAKCED)
 503-181001188 12V
 503-181001288 24V



TMC-0335301

MOTOR :12V / 24V
CAPACITY :1500GPH (5676 LPH)
AMP DRAW :9A (12V) / 5A (24V)
FUSE SIZE :12A (12V) / 7A(24V)
HOSE DIA. :1-1/8"(29mm)
DELIVERY HEAD :13FT. (4M)
DIMENSION (LxWxH) :138.5x115x160.6 mm (5.45"x4.53"x6.32")
PACKING :12pcs/ctn/1.51cuft
WEIGHT :17.3kgs/ctn
MIN Q'TY :12pcs

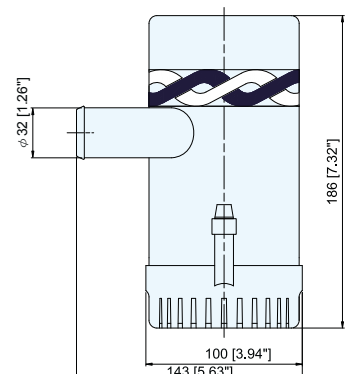
ORDER NO. (COLOR-BOXED)
 503-1815011 12V
 503-1815012 24V



TMC-0366301

MOTOR :12V / 24V
CAPACITY :2000GPH (7572 LPH)
AMP DRAW :15A (12V) / 8A (24V)
FUSE SIZE :20A (12V) / 10A(24V)
HOSE DIA. :1-1/4" (32mm)
DELIVERY HEAD :13FT. (4M)
DIMENSION (LxWxH) :143x115x186 mm (5.63"x4.54"x7.32")
PACKING :9pcs/ctn/1.69cuft
WEIGHT :17.7kgs/ctn
MIN Q'TY :9pcs

ORDER NO. (COLOR-BOXED)
 503-1820011 12V
 503-1820012 24V



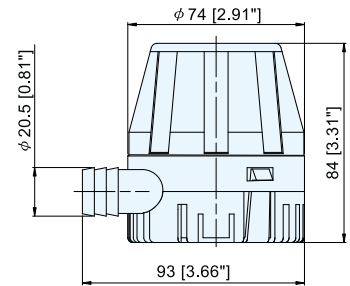
* For automatic operation please refer to p13-14

BILGE PUMPS - Q17 SERIES



TMC-001010

MOTOR :12V / 24V
 CAPACITY :450GPH (1704 LPH)
 AMP DRAW :1.5A (12V) / 0.8A (24V)
 FUSE SIZE :2.5A (12V) / 1A(24V)
 HOSE DIA. :3/4" (19mm)
 DELIVERY HEAD :6.6FT. (2M)
 DIMENSION :93x74x84 mm
 (LxWxH) (3.66"x2.91"x3.31")
 PACKING :30pcs/ctn/1.31cuft
 WEIGHT :9.8kgs/ctn
 MIN Q'TY :30pcs

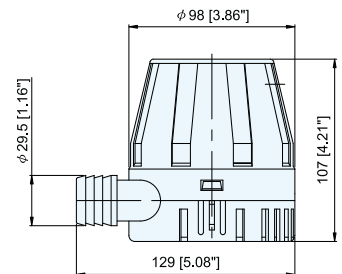


ORDER NO.	ORDER NO.
(COLOR-BOXED)	(CLAM-PACKED)
503-1704011 12V	503-170401188 12V
503-1704012 24V	503-170401288 24V



TMC-001030

MOTOR :12V / 24V
 CAPACITY :900GPH (3406 LPH)
 AMP DRAW :3.5A (12V) / 2A (24V)
 FUSE SIZE :5A (12V) / 2.5A(24V)
 HOSE DIA. :1-1/8" (29mm)
 DELIVERY HEAD :11.5FT. (3.5M)
 DIMENSION :129x98x107 mm
 (LxWxH) (5.08"x3.86"x4.21")
 PACKING :24pcs/ctn/1.99cuft
 WEIGHT :14.1kgs/ctn
 MIN Q'TY :24pcs

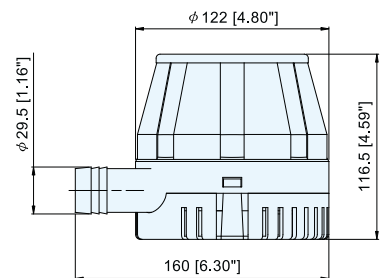


ORDER NO.	ORDER NO.
(COLOR-BOXED)	(CLAM-PACKED)
503-1709011 12V	503-170901188 12V
503-1709012 24V	503-170901288 24V



TMC-001050

MOTOR :12V / 24V
 CAPACITY :1250GPH (4734 LPH)
 AMP DRAW :5A (12V) / 3A (24V)
 FUSE SIZE :6A (12V) / 4.5A(24V)
 HOSE DIA. :1-1/8" (29mm)
 DELIVERY HEAD :11.5FT. (3.5M)
 DIMENSION :160x122x116.5 mm
 (LxWxH) (6.3"x4.8"x4.59")
 PACKING :16pcs/ctn/2.08cuft
 WEIGHT :16kgs/ctn
 MIN Q'TY :16pcs



ORDER NO.	
503-1712011 12V	
503-1712012 24V	

TMC Float Switches for Purchasing Options / Safety Protector Panel



TMC-08121
Order No. 502-8101011



TMC-0812202
Order No. 502-8102020



TMC-0812201
Order No. 502-8102010



TMC-0240301
Order No. 502-2403011 12V
502-2403012 24V

Caution:

- For bilge pumps that draws current above 10A, this float switch must be used in combination with - TMC panel switch model: 0240301 (sold separately).
- For bilge pumps that draws current below or equal 10A, TMC panel switch is optional for better protection.

BILGE PUMPS - AUTO-EYE SERIES



AUTO-EYE TECH. FULLY AUTOMATIC BILGE PUMPS

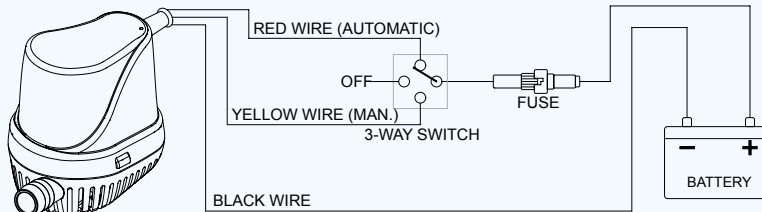
TMC AUTO-EYE SERIES OF SUBMERSIBLE BILGE PUMPS ARE EQUIPPED WITH BUILT-IN ELECTRONIC CONTROLLED REED SENSOR SYSTEM TO MAKE FULLY AUTOMATIC OPERATION EASY.

NO SEPARATE FLOAT SWITCH IS NEEDED AND RELAY LOOP DESIGN PROTECT THE PUMP AGAINST INSTANT HIGH CURRENT.

NO POWER USE UNTIL PUMP TURNS ON WHEN WATER RISES.

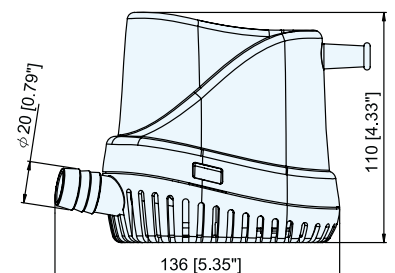
AUTO-EYE PUMPS ARE BUILT WITH COMPACT, EFFICIENT, LONG LIFE MOTOR, RUST AND CORROSION PROTECTED S.S. SHAFT, AND HIGH-IMPACT DURABLE PLASTIC HOUSING. QUICK RELEASE STRAINER FOR EASY CLEANING.

WIRING DIAGRAM



TMC-30605

MOTOR	:12V / 24V
CAPACITY	:500GPH (1890 LPH)
AMP DRAW	:1.6A (12V) / 0.8A (24V)
FUSE SIZE	:2.5A (12V) / 1.5A (24V)
HOSE DIA.	:3/4" (19mm)
DELIVERY HEAD	:9FT. (2.5M)
DIMENSION (LxWxH)	:136x82x110 mm (5.35"x3.22"x4.33")
PACKING	:30pcs/ctn/2.3cuft
WEIGHT	:16.8kgs/ctn
MIN Q'TY	:30pcs
ORDER NO.	
503-0605011	12V
503-0605012	24V



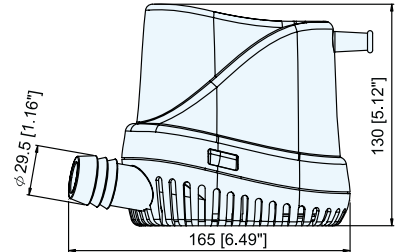
* For automatic operation please refer to p13-14

BILGE PUMPS - AUTO-EYE SERIES



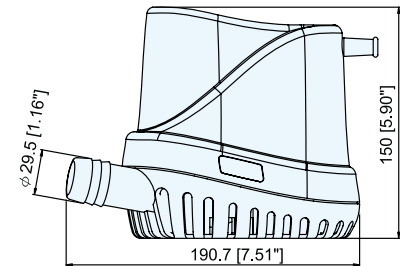
TMC-30610

MOTOR	:12V / 24V
CAPACITY	:1000GPH (3786 LPH)
AMP DRAW	:4.5A (12V) / 2.5A (24V)
FUSE SIZE	:6A (12V) / 4A (24V)
HOSE DIA.	:1-1/8"(29mm)
DELIVERY HEAD	:13FT. (4M)
DIMENSION (LxWxH)	:165x96x130 mm (6.49"x3.77"x5.12")
PACKING	:12pcs/ctn/1.51cuft
WEIGHT	:11.8kgs/ctn
MIN Q'TY	:12pcs
ORDER NO.	
503-0610011	12V
503-0610012	24V



TMC-30615

MOTOR	:12V / 24V
CAPACITY	:1500GPH (5676 LPH)
AMP DRAW	:9A (12V) / 4.5A (24V)
FUSE SIZE	:12A (12V) / 6A (24V)
HOSE DIA.	:1-1/8"(29mm)
DELIVERY HEAD	:13FT. (4M)
DIMENSION (LxWxH)	:190.7x108x150 mm (7.51"x4.25"x5.9")
PACKING	:12pcs/ctn/2.09cuft
WEIGHT	:17.7kgs/ctn
MIN Q'TY	:12pcs
ORDER NO.	
503-0615011	12V
503-0615012	24V



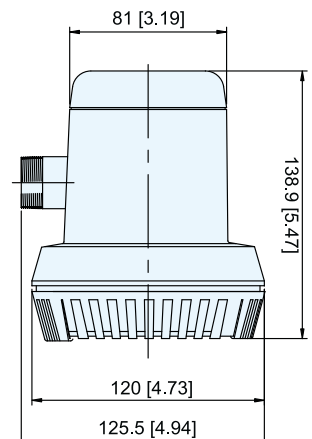
COMPUTERIZED FULLY AUTOMATIC BILGE PUMP



TMC-02310

THE FULLY AUTOMATIC 600 GPH PUMP OPERATES ON A COMPUTERIZED CYCLING SYSTEM THAT REQUIRES THE PUMP TO "TURN ON" EVERY 15 MINUTES THEN "SHUT OFF" WHEN WATER IS LOW AND LOAD AGAINST IMPELLER IS REDUCED. POWER FOR CHECKING IS MINIMUM.

MOTOR	:12V / 24V
CAPACITY	:600GPH (2274LPH)
AMP DRAW	:4A (12V) / 2.5A (24V)
FUSE SIZE	:5A (12V) / 3A (24V)
HOSE DIA.	:3/4" & 1-1/4" (19 & 32mm)
DELIVERY HEAD	:10FT. (3M)
DIMENSION (LxWxH)	:125.5x120x138.9 mm (4.94"x4.73"x5.47")
PACKING	:24pcs/ctn/3.6cuft
WEIGHT	:21kgs/ctn
MIN Q'TY	:24pcs
ORDER NO.	
503-1906011	12V
503-1906012	24V



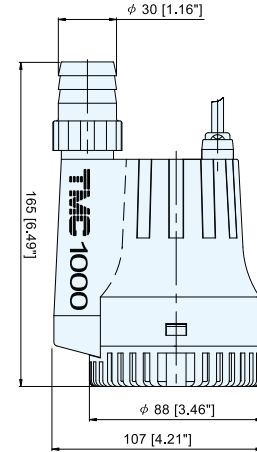
* For automatic operation please refer to p13-14

HANDY PUMPS



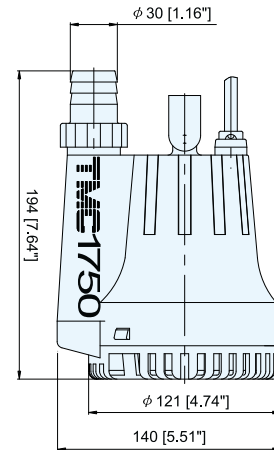
TMC-03305

MOTOR	:12V / 24V
CAPACITY	:1000GPH (3786LPH)
AMP DRAW	:4A (12V) / 2.5A (24V)
FUSE SIZE	:6A (12V) / 4A(24V)
HOSE DIA.	:1-1/8" & 3/4"(29 & 19mm)
DELIVERY HEAD	:8FT. (2.4M)
DIMENSION (LxWxH)	:107x88x165 mm (4.19"x3.46"x6.49")
PACKING	:24pcs/ctn/2.13cuft
WEIGHT	:26.3kgs/ctn
MIN Q'TY	:24pcs
ORDER NO.	
503-0810011	12V
503-0810012	24V



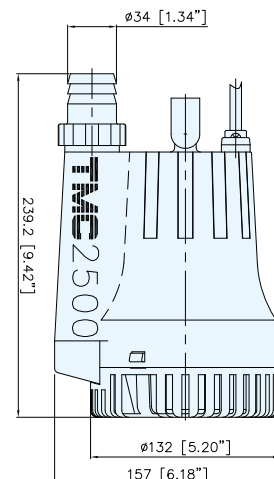
TMC-03608

MOTOR	:12V / 24V
CAPACITY	:1750GPH (6624LPH)
AMP DRAW	:10A (12V) / 5A (24V)
FUSE SIZE	:15A (12V) / 7A(24V)
HOSE DIA.	:1-1/8" & 3/4"(29 & 19mm)
DELIVERY HEAD	:13FT. (4M)
DIMENSION (LxWxH)	:140x121x194 mm (5.52"x4.74"x7.64")
PACKING	:12pcs/ctn/2.45cuft
WEIGHT	:21.4kgs/ctn
MIN Q'TY	:12pcs
ORDER NO.	
503-0817011	12V
503-0817012	24V



TMC-06605

MOTOR	:12V / 24V
CAPACITY	:2500GPH (9462LPH)
AMP DRAW	:18A (12V) / 9 (24V)
FUSE SIZE	:27A (12V) / 13A(24V)
HOSE DIA.	:1-1/4" & 1-1/8" (32 & 29mm)
DELIVERY HEAD	:13FT. (4M)
DIMENSION (LxWxH)	:157x132x239.2 mm (6.18"x5.2"x9.42")
PACKING	:6pcs/ctn/1.42cuft
WEIGHT	:18.6kgs/ctn
MIN Q'TY	:6pcs
ORDER NO.	
503-0825011	12V
503-0825012	24V



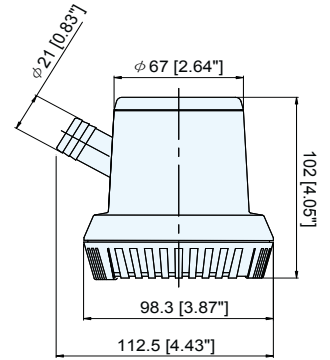
* For automatic operation please refer to p13-14

BILGE PUMPS - S19 SERIES



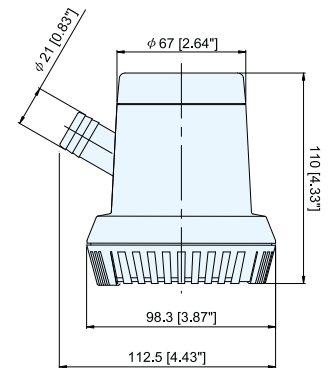
TMC-02307

MOTOR	:12V / 24V
CAPACITY	:500GPH (1890LPH)
AMP DRAW	:3.5A (12V) / 1.8A (24V)
FUSE SIZE	:4A (12V) / 2A(24V)
HOSE DIA.	:3/4"(19mm)
DELIVERY HEAD	:10FT. (3M)
DIMENSION (LxWxH)	:112.5x106x102 mm (4.43"x4.16"x4.05")
PACKING	:45pcs/ctn/2.87cuft
WEIGHT	:22.9kgs/ctn
MIN Q'TY	:45pcs
ORDER NO.	
503-1905011	12V
503-1905012	24V

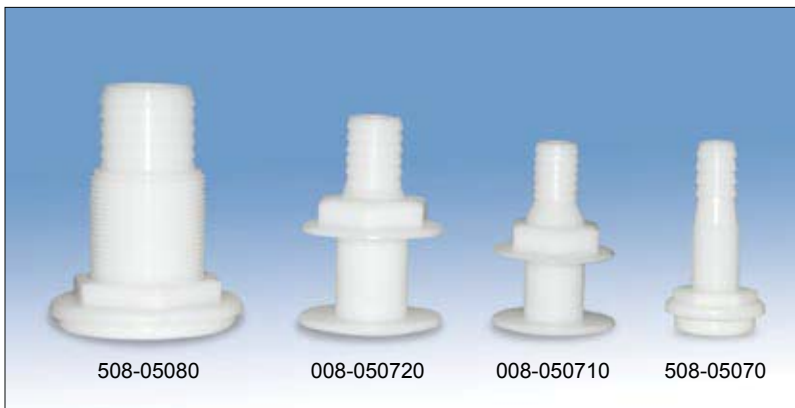


TMC-02308

MOTOR	:12V / 24V
CAPACITY	:700GPH (2652LPH)
AMP DRAW	:3.5A (12V) / 1.8A (24V)
FUSE SIZE	:4A (12V) / 2A (24V)
HOSE DIA.	:3/4"(19mm)
DELIVERY HEAD	:10FT. (3M)
DIMENSION (LxWxH)	:112.5x106x100 mm (4.43"x4.16"x4.33")
PACKING	:45pcs/ctn/2.87cuft
WEIGHT	:22.9kgs/ctn
MIN Q'TY	:45pcs
ORDER NO.	
503-1907011	12V
503-1907012	24V



THRUHULL



THRUHULL, PLASTIC

508-05080	1-1/2" x 4"	PACKING :50pcs/ctn/1.52cuft WEIGHT :9.5kgs/ctn
008-050720	1" x 3-1/2"	PACKING :250pcs/ctn/1.67cuft WEIGHT :18.5kgs/ctn
008-050710	3/4" x 3"	PACKING :250pcs/ctn/1.47cuft WEIGHT :10.5kgs/ctn
508-05070	5/8" x 3"	PACKING :200pcs/ctn/1cuft WEIGHT :7.6kgs/ctn
008-050730	1/2" x 3-1/4"	PACKING :200pcs/ctn/0.97cuft WEIGHT :5.6kgs/ctn
008-050740	1-1/4" X 3-5/8"	PACKING :100pcs/ctn/1.68cuft WEIGHT :9.5kgs/ctn
008-050750	1-1/8" X 3-5/8"	PACKING :100pcs/ctn/0.77cuft WEIGHT :6.5kgs/ctn

* For automatic operation please refer to p13-14

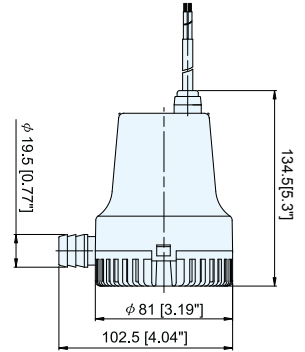
BILGE PUMPS - TOZ SERIES



TMC-0230Z

MOTOR :12V / 24V
 CAPACITY :400GPH (1512 LPH)
 AMP DRAW :3A (12V) / 1.8A (24V)
 FUSE SIZE :4A (12V) / 2A(24V)
 HOSE DIA. :5/8" (16mm)
 DELIVERY HEAD :12.5FT. (3.8M)
 DIMENSION :102.5x81x134.5 mm
 (LxWxH) (4.04"x3.19"x5.3")
 PACKING :40pcs/ctn/2.48cuft
 WEIGHT :22.8kgs/ctn
 MIN Q'TY :40pcs

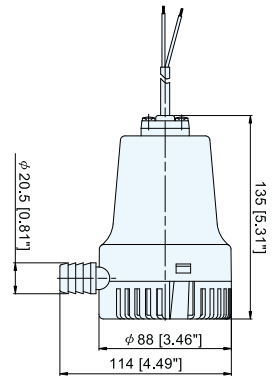
ORDER NO.
 503-0204011 12V
 503-0204012 24V



TMC-0330Z

MOTOR :12V / 24V
 CAPACITY :600GPH (2274 LPH)
 AMP DRAW :4A (12V) / 2.5A (24V)
 FUSE SIZE :5A (12V) / 4A(24V)
 HOSE DIA. :3/4" (19mm)
 DELIVERY HEAD :13.2FT. (4M)
 DIMENSION :114x88x135 mm
 (LxWxH) (4.49"x3.46"x5.31")
 PACKING :24pcs/ctn/1.64cuft
 WEIGHT :16.8kgs/ctn
 MIN Q'TY :24pcs

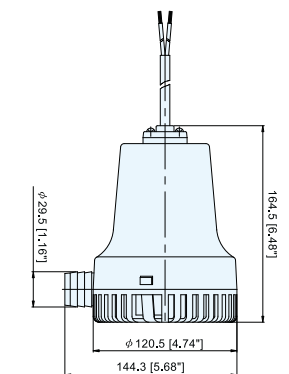
ORDER NO.
 503-0206011 12V
 503-0206012 24V



TMC-0360Z

MOTOR :12V / 24V
 CAPACITY :1400GPH (5298 LPH)
 AMP DRAW :7A (12V) / 3A (24V)
 FUSE SIZE :10A (12V) / 4A(24V)
 HOSE DIA. :1-1/8" (29mm)
 DELIVERY HEAD :9FT. (2.7M)
 DIMENSION :144.3x120.5x164.5 mm
 (LxWxH) (5.68"x4.74"x6.48")
 PACKING :12pcs/ctn/1.85cuft
 WEIGHT :17.6kgs/ctn
 MIN Q'TY :12pcs

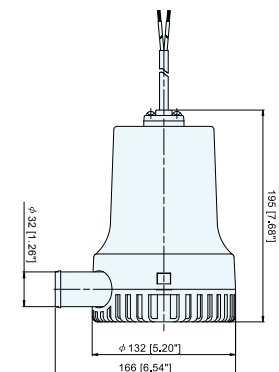
ORDER NO.
 503-0214011 12V
 503-0214012 24V



TMC-06601

MOTOR :12V / 24V
 CAPACITY :2300GPH (8706 LPH)
 AMP DRAW :13A (12V) / 6A (24V)
 FUSE SIZE :20A (12V) / 8A(24V)
 HOSE DIA. :1-1/4" (32mm)
 DELIVERY HEAD :11.80FT(3.60M)
 DIMENSION :166x132x195 mm
 (LxWxH) (6.54"x5.2"x7.68")
 PACKING :6pcs/ctn/1.51cuft
 WEIGHT :15kgs/ctn
 MIN Q'TY :6pcs

ORDER NO.
 503-0223011 12V
 503-0223012 24V



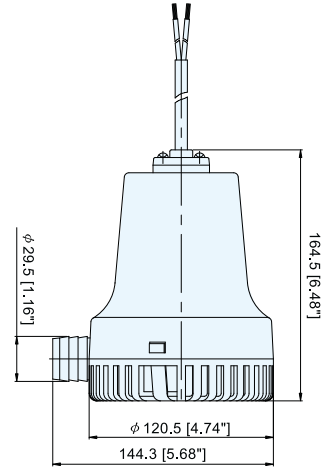
* For automatic operation please refer to p13-14

BILGE PUMPS - TO2 SERIES



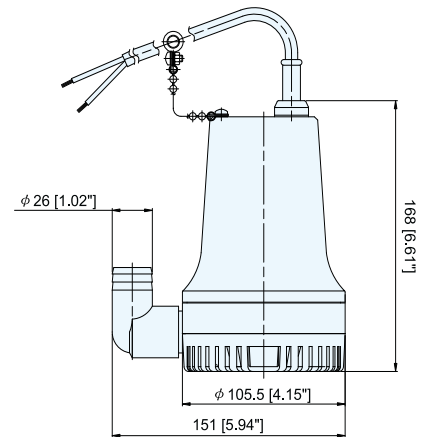
TMC-03603

MOTOR	:12V / 24V
CAPACITY	:1750GPH (6624 LPH)
AMP DRAW	:10A (12V) / 5A (24V)
FUSE SIZE	:15A (12V) / 7A(24V)
HOSE DIA.	:1-1/8" (29mm)
DELIVERY HEAD	:13.5FT. (4.1M)
DIMENSION (LxWxH)	:144.3x120.5x164.5 mm (5.68"x4.74"x6.48")
PACKING	:12pcs/ctn/1.85cuft
WEIGHT	:18.5kgs/ctn
MIN Q'TY	:12pcs
ORDER NO.	
503-0217011	12V
503-0217012	24V



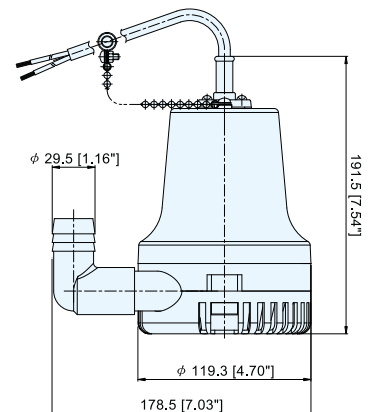
TMC-0360901

MOTOR	:12V / 24V
CAPACITY	:1100GPH (4164 LPH)
AMP DRAW	:7.4A (12V) / 3.3A (24V)
FUSE SIZE	:15A (12V) / 6A(24V)
HOSE DIA.	:1" (25mm)
DELIVERY HEAD	:10FT. (3M)
DIMENSION (LxWxH)	:151x105.5x168 mm (5.94"x4.15"x6.61")
PACKING	:12pcs/ctn/2.45cuft
WEIGHT	:20.2kgs/ctn
MIN Q'TY	:12pcs
ORDER NO.	
503-0211011	12V
503-0211012	24V



TMC-0360311

MOTOR	:12V / 24V
CAPACITY	:1500GPH (5676 LPH)
AMP DRAW	:10A (12V) / 5A (24V)
FUSE SIZE	:12A (12V) / 7A(24V)
HOSE DIA.	:1-1/8" (29mm)
DELIVERY HEAD	:10FT. (3M)
DIMENSION (LxWxH)	:178.5x119.3x191.5 mm (7.03"x4.7"x7.54")
PACKING	:12pcs/ctn/2.45cuft
WEIGHT	:22.6kgs/ctn
MIN Q'TY	:12pcs
ORDER NO.	
503-0215031	12V
503-0215032	24V



* For automatic operation please refer to p13-14

BILGE PUMPS - T01 SERIES

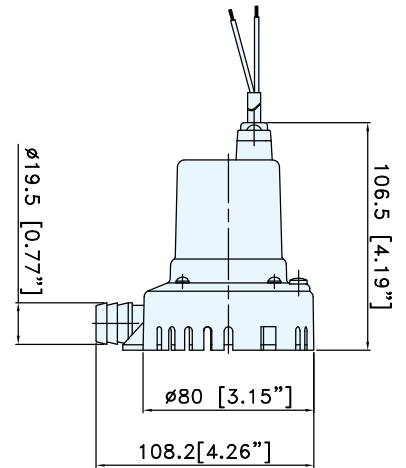


TMC-02301

MOTOR :12V / 24V
 CAPACITY :400GPH (1514 LPH)
 AMP DRAW :3A (12V) / 2A (24V)
 FUSE SIZE :4A (12V) / 2.5A(24V)
 HOSE DIA. :5/8" (16mm)
 DELIVERY HEAD :12.5FT. (3.8M)
 DIMENSION :108.2x89.5x106.5 mm
 (LxWxH) (4.26"x3.52"x4.19")
 PACKING :40pcs/ctn/1.98cuft
 WEIGHT :20.9kgs/ctn
 MIN Q'TY :40pcs

ORDER NO.
 503-0104011 12V
 503-0104012 24V

COMES WITH MOUNTING BRACKET
 503-0104021 12V
 503-0104022 24V

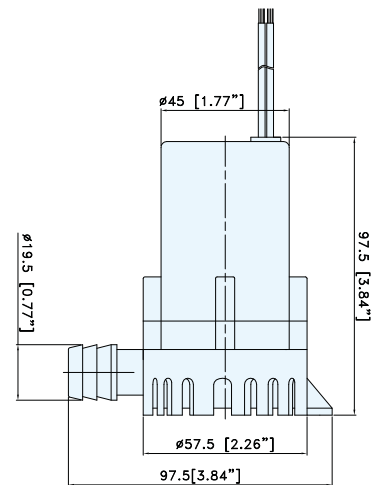


TMC-02303

MOTOR :12V / 24V
 CAPACITY :300GPH (1135 LPH)
 AMP DRAW :2A (12V) / 1A (24V)
 FUSE SIZE :3A (12V) / 1.5A (24V)
 HOSE DIA. :5/8" (16mm)
 DELIVERY HEAD :12.5FT.(3.8M)
 DIMENSION :92.5x66x97.5 mm
 (LxWxH) (3.64"x2.6"x3.84")
 PACKING :48pcs/ctn/1.74cuft
 WEIGHT :16kgs/ctn
 MIN Q'TY :48pcs

ORDER NO.
 503-0103011 12V
 503-0103012 24V

COMES WITH MOUNTING BRACKET
 503-0103021 12V
 503-0103022 24V



TMC Float Switches for Purchasing Options / Safety Protector Panel



TMC-08121
 Order No. 502-8101011



TMC-0812202
 Order No. 502-8102020



TMC-0812201
 Order No. 502-8102010



TMC-0240301
 Order No. 502-2403011 12V
 502-2403012 24V

Caution:

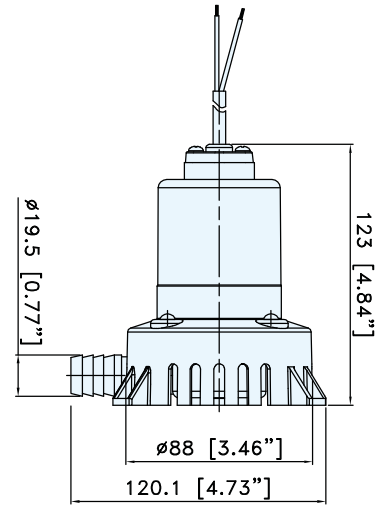
- For bilge pumps that draws current above 10A, this float switch must be used in combination with - TMC panel switch model: 0240301 (sold separately).
- For bilge pumps that draws current below or equal 10A, TMC panel switch is optional for better protection.

BILGE PUMPS - T01 SERIES



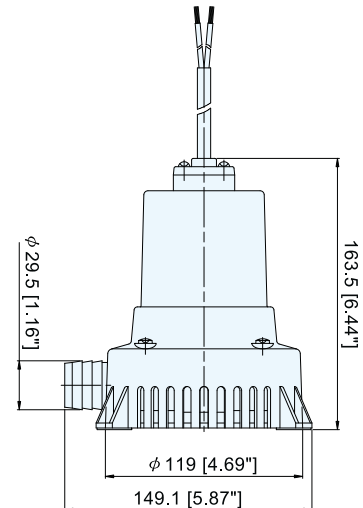
TMC-03301

MOTOR	:12V / 24V
CAPACITY	:600GPH (2271 LPH)
AMP DRAW	:4A (12V) / 2.7A (24V)
FUSE SIZE	:6A (12V) / 4A(24V)
HOSE DIA.	:5/8" (16mm)
DELIVERY HEAD	:10FT. (3M)
DIMENSION (LxWxH)	:120.1x98x123 mm (4.73"x3.86"x4.84")
PACKING	:24pcs/ctn/1.64cuff
WEIGHT	:15.9kgs/ctn
MIN Q'TY	:24pcs
ORDER NO.	
503-0106011	12V
503-0106012	24V



TMC-03601

MOTOR	:12V / 24V
CAPACITY	:1400GPH (5299 LPH)
AMP DRAW	:7A (12V) / 3A (24V)
FUSE SIZE	:10A (12V) / 4A(24V)
HOSE DIA.	:1-1/8" (29mm)
DELIVERY HEAD	:9FT. (2.7M)
DIMENSION (LxWxH)	:149.1x129.5x163.5 mm (5.87"x5.1"x6.44")
PACKING	:12pcs/ctn/1.85cuff
WEIGHT	:16.6kgs/ctn
MIN Q'TY	:12pcs
ORDER NO.	
503-0114011	12V
503-0114012	24V



REPAIR KITS FOR BILGE PUMP

COMPLETE WITH RUBBER O-RING, IMPELLER, GLAND, SHAFT SEAL, E-RING, TOP O RING & SCREWS.

TMC-00001	FOR 400 GPH BILGE PUMP
TMC-00002	FOR 600 GPH BILGE PUMP
TMC-00003	FOR 1400 GPH BILGE PUMP
TMC-00004	FOR 1750 GPH BILGE PUMP
TMC-00005	FOR 2300 GPH BILGE PUMP

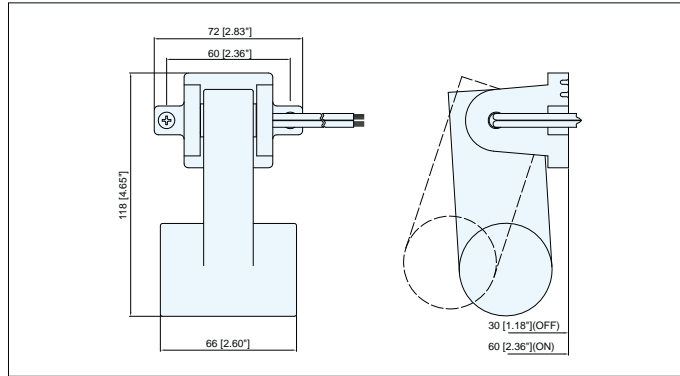
ORDER NO.

504-0301001	TMC-00001
504-0301002	TMC-00002
504-0301003	TMC-00003
504-0301004	TMC-00004
504-0301005	TMC-00005



* For automatic operation please refer to p13-14

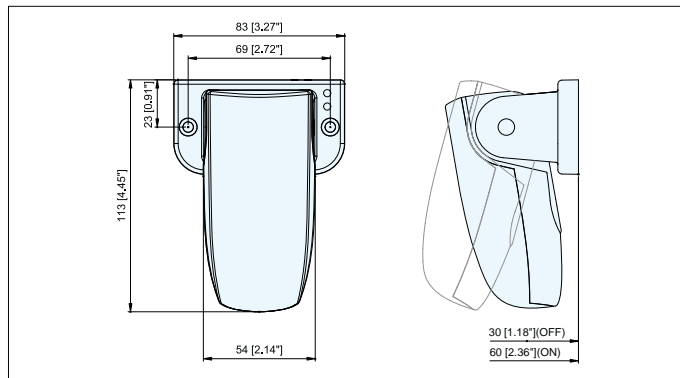
FLOAT SWITCH



TMC-08121

- AUTOMATIC FLOAT SWITCH TO WORK WITH BILGE PUMPS DRAWING UNDER 10 AMP.
- BUILT-IN MICRO SWITCH WITHOUT MERCURY.
- CAN BE USED WITH DC-12V AND 24V SYSTEM.

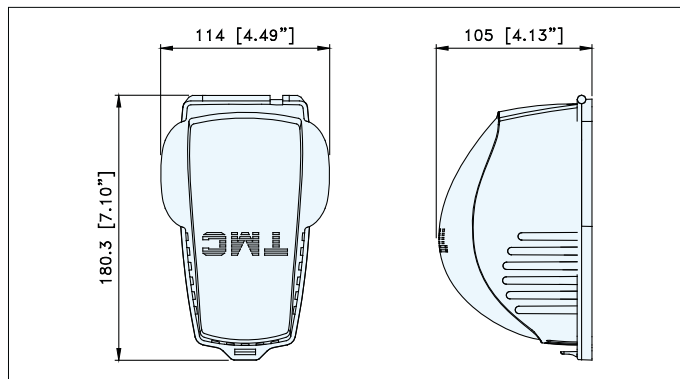
PACKING: 36pcs/ctn/1.34cuff/8.2kgs
 ORDER NO. 502-8101011



TMC-0812202

- AUTOMATIC FLOAT SWITCH TO WORK WITH BILGE PUMPS DRAWING UNDER 10 AMP.
- BUILT-IN MICRO SWITCH WITHOUT MERCURY.
- CAN BE USED WITH DC-12V AND 24V SYSTEM.

PACKING: 36pcs/ctn/1.34cuff/8.2kgs
 MIN Q'TY: 36pcs
 ORDER NO. 502-8102020



TMC-0812201

- AUTOMATIC SWITCH COMES WITH TRANSPARENT, HIGH-IMPACT RESISTANT GUARD COVER.
- PROTECTS AGAINST DEBRIS AND JAMMING.
- BUILT-IN MICRO SWITCH WITHOUT MERCURY.
- CAN BE USED WITH DC12V AND 24V SYSTEM.

PACKING: 24pcs/ctn/3.34cuff/14.9kgs
 MIN Q'TY: 24pcs
 ORDER NO. 502-8102010

SAFETY PROTECTOR PANEL



TMC-0240301

SAFETY PROTECTOR PANEL

- OPERATED BY 3-WAY ROCKER SWITCH (MANUAL, OFF, AUTOMATIC) TO CONTROL AND PROTECT ANY PUMP WORK WITH AN AUTOMATIC FLOAT SWITCH.
- EQUIPPED WITH A BUILT-IN RELAY THAT TAKES CURRENT UP TO 40 AMP. TO PREVENT IMPACT OF INTERMITTENT HIGH CURRENT.
- INTERCHANGEABLE FUSES FOR OPTIONS AND EASY REPLACEMENT.

PACKING: 36pcs/ctn/2.6cuft/17.8kgs

MIN Q'TY: 36pcs

ORDER NO.

502-2403011 12V C/W FUSE CASE: 5-10-15-20-25-30A ONE PIECE EACH.

502-2403012 24V C/W FUSE CASE: 5-10-15A TWO PIECES EACH.

COMPLETE PUMP PROTECTOR SET FULLY AUTOMATIC SYSTEM



TMC-0812205

TOTAL SOLUTION TO COMPLETE TMC PUMPS FOR THE FULLY AUTOMATIC SYSTEM.

PACKAGE INCLUDES FLOAT SWITCH WITH GUARD - MERCURY FREE, PANEL SWITCH WITH BUILT-IN RELAY AND TWO BOXES OF FUSES WITH VARIOUS AMPS. AVAILABLE IN DC12V AND DC24V SYSTEM.

PACKING: 12pcs/ctn/3.34cuft/15.4kgs

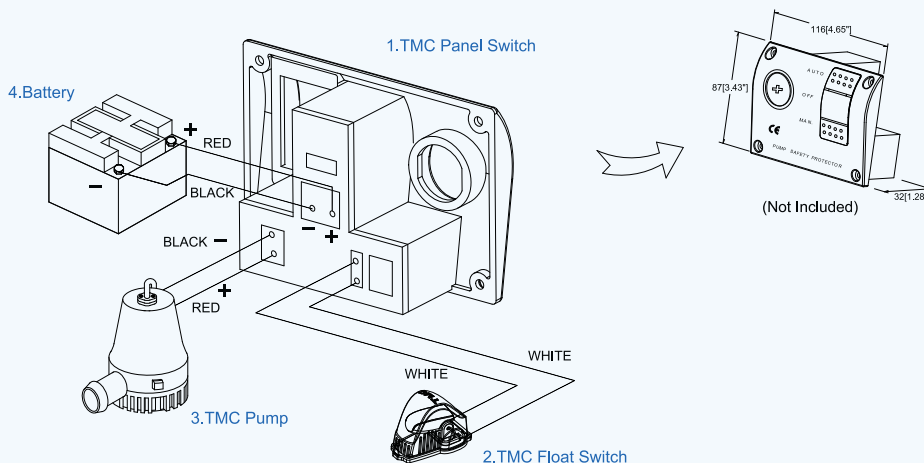
MIN Q'TY: 12pcs

ORDER NO.

502-8102041 12V

502-8102042 24V

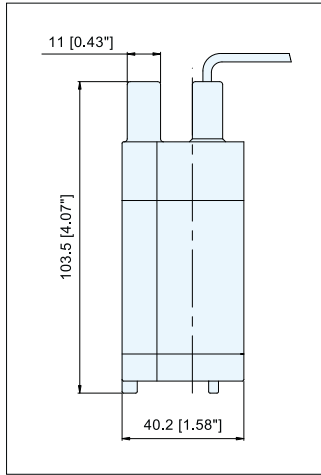
WIRING DIAGRAM



Caution:

- For bilge pumps that draws current above 10A, this float switch must be used in combination with - TMC panel switch model: 0240301 (sold separately).
- For bilge pumps that draws current below or equal 10A, TMC panel switch is optional for better protection.

CARAVAN PUMPS

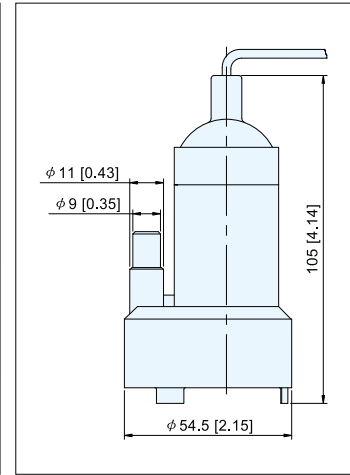


TMC-04301

CARAVAN PUMP

MOTOR :12V / 24V
 CAPACITY :100GPH (378LPH)
 AMP DRAW :2A (12V) / 1A (24V)
 FUSE SIZE :3A (12V) / 1.5A (24V)
 HOSE DIA. :3/8" (10mm)
 DELIVERY HEAD:16FT. (5M)
 DIMENSION :40.2x34x103.5 mm
 (LxWxH) (1.58"x1.33"x4.07")
 PACKING :100pcs/ctn/1.69cuft
 WEIGHT :18.3kgs/ctn
 MIN Q'TY :100pcs

ORDER NO.
 503-4300011 12V
 503-4300012 24V



TMC-04302

CARAVAN PUMP

MOTOR :12V / 24V
 CAPACITY :160GPH (606LPH)
 AMP DRAW :2.5A (12V) / 1A (24V)
 FUSE SIZE :4A (12V) / 1.5A (24V)
 HOSE DIA. :5/16" & 3/8" (8 & 10mm)
 DELIVERY HEAD:15FT. (4.6M)
 DIMENSION :54.5x54.5x105 mm
 (LxWxH) (2.15"x2.15"x4.14")
 PACKING :100pcs/ctn/1.69cuft
 WEIGHT :18.3kgs/ctn
 MIN Q'TY :100pcs

ORDER NO.
 503-4300041 12V
 503-4300042 24V

BATTERY SWITCH



TMC-02401

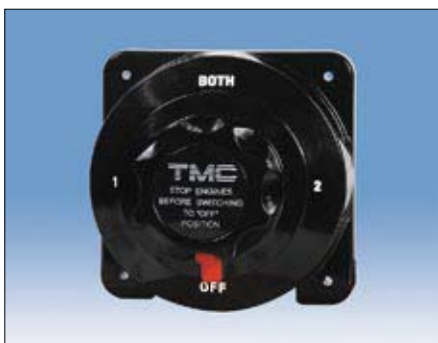
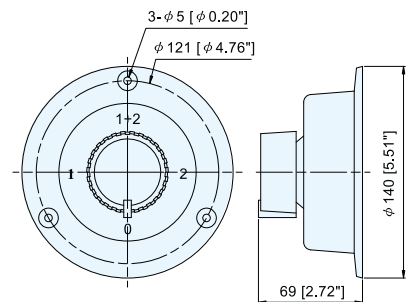
RATED AT 175A CONTINUOUS DUTY AT 12V,
 INTERMITTENT 300A.

USE WITH 6V-32V SYSTEMS.

5-1/2" DIA. ABS HOUSING W/ BRASS
 TERMINALS AND COPPER WASHERS

PACKING :24pcs/ctn/1.59 cuft
 WEIGHT :10.2kgs/ctn
 MIN Q'TY :24pcs

ORDER NO. 502-2401010



TMC-02402

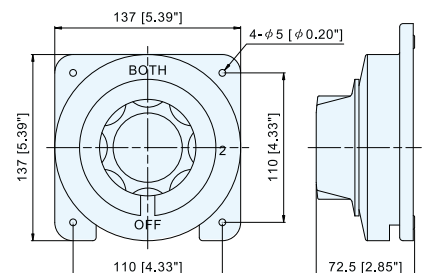
RATED AT 175A CONTINUOUS DUTY AT 12V,
 INTERMITTENT 300A.

USE WITH 6V-32V SYSTEMS.

5-1/2" DIA. BAKELITE HOUSING W/ BRASS
 TERMINALS AND COPPER WASHERS

PACKING :24pcs/ctn/2.62 cuft
 WEIGHT :18.6kgs/ctn
 MIN Q'TY :24pcs

ORDER NO. 502-2402010



AERATOR PUMPS



MULTI-PURPOSE AERATOR PUMP KIT

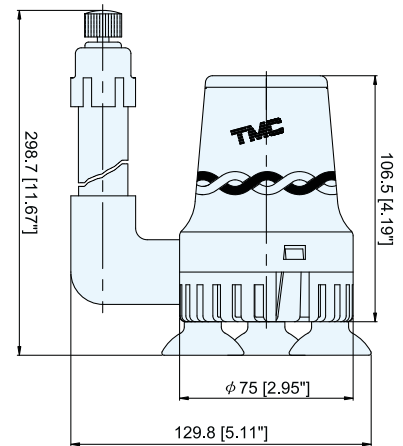
AERATOR CAN BE USED IN ANY COOLER, BAIT BUCKET OR LIVE WELL WITH A NON-POROUS SURFACE THAT IS FREE OF GREASE AND SAND WHERE SUCTION CUPS ARE TO BE MOUNTED.

TMC-02305

AERATOR PUMP

MOTOR :12V
 CAPACITY :250GPH (948LPH)
 AMP DRAW :2A (12V)
 FUSE SIZE :3A (12V)
 DELIVERY HEAD :3.28FT(1.0M)
 DIMENSION (LxWxH) :129.8x75x298.7 mm (5.11"x2.95"x11.67")
 PACKING :24pcs/ctn/3.06cuft
 WEIGHT :15kgs/ctn
 MIN Q'TY :24pcs

ORDER NO. 503-1000031 12V



TMC-02306

AERATOR PUMP

MOTOR :12V
 CAPACITY :450GPH (1704LPH)
 AMP DRAW :2.5A (12V)
 FUSE SIZE :3A (12V)
 HOSE DIA. :5/8" (16mm)
 DELIVERY HEAD :10FT. (3M)

DIMENSION :126.8x75x298.7 mm (4.99"x2.95"x11.67")
 PACKING :24pcs/ctn/7.12cuft
 WEIGHT :23.1kgs/ctn
 MIN Q'TY :24pcs
 ORDER NO. 503-1004011 12V



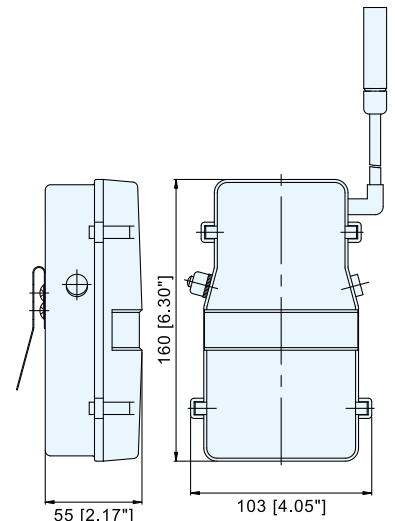
TMC-00201

SPECIAL FEATURES

- WATERTIGHT AIR PUMP
- DC 3V
- LOW CURRENT MOTOR (1/3 AMP.)
- POWERED ON TWO ALKALINE "D" BATTERIES
- NEOPRENE WATER TIGHT SEALS
- WATERPROOF SWITCH
- S.S. ADJUSTABLE ATTACHMENT CLIP
- WEIGHTED AIR STONE WITH 30" AIR TUBE
- PACKING: 24pcs/ctn/0.86 cuft

MOTOR :3V
 DIMENSION (LxWxH) :160x103x55 mm (6.3"x4.05"x2.17")
 PACKING :24pcs/ctn/2.15cuft
 WEIGHT :9.2kgs/ctn
 MIN Q'TY :24pcs

ORDER NO. 503-1000010 3V



GALLEY PUMP



TMC-06301

GALLEY PUMP COMPLETE WITH TAP, MOUNTING CLAMP

MOTOR : 12V / 24V
 CAPACITY : 100GPH (378LPH)
 AMP DRAW : 1.5A (12V) / 0.7A (24V)
 FUSE SIZE : 2A (12V) / 1A (24V)
 HOSE DIA. : 3/8" (10mm)
 DELIVERY HEAD : 6.6FT. (2M)
 DIMENSION : 57.5x67.3x115 mm
 (LxWxH) (2.26"x2.65"x4.53")
 PACKING : 40pcs/ctn/2.52cuft
 WEIGHT : 22.4kgs/ctn
 MIN Q'TY : 40pcs

ORDER NO.
 503-6300051 12V
 503-6300052 24V

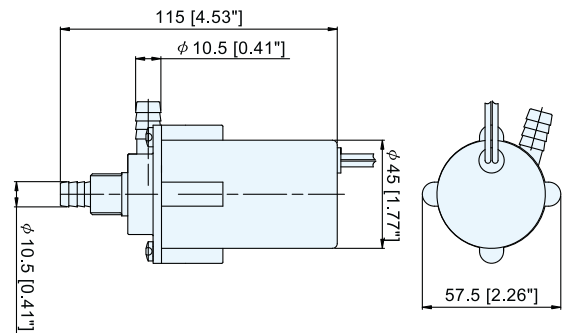


TMC-06302

GALLEY PUMP WITH MOUNTING CLAMP

PACKING : 50pcs/ctn/0.97cuft
 WEIGHT : 15.7kgs/ctn
 MIN Q'TY : 50pcs

ORDER NO.
 503-6300021 12V
 503-6300022 24V



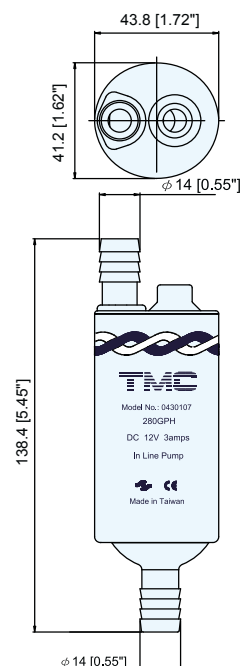
IN-LINE PUMP



TMC-0430107

MOTOR : 12V / 24V
 CAPACITY : 280GPH (1060 LPH)
 AMP DRAW : 3A (12V) / 1.5A (24V)
 FUSE SIZE : 5A (12V) / 2A (24V)
 HOSE DIA. : 1/2" (13mm)
 DELIVERY HEAD : 23.1FT. (7M)
 DIMENSION : 42.8x40.2x136.6 mm
 (LxWxH) (1.69"x1.58"x5.38")
 PACKING : 60pcs/ctn/1.04cuft
 WEIGHT : 12.3kgs/ctn
 MIN Q'TY : 60pcs

ORDER NO.
 503-4300061 12V
 503-4300062 24V



HAND GALLEY PUMP



TMC-71602

HAND GALLEY PUMP WITH BUILT-IN CHECK VALVE
CHROME-PLATED DIE CAST TOP WITH BODY

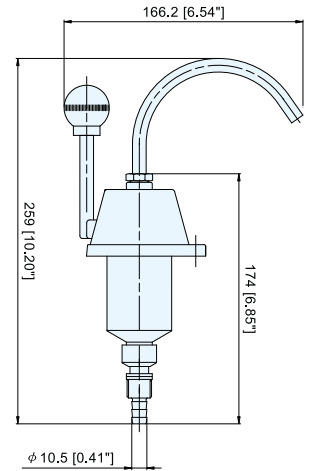
CAPACITY :60GPH (228LPH)
HOSE DIA. :3/8" (10mm)
DIMENSION :166.2x98.5x259 mm
(LxWxH) (6.54"x3.88"x10.2")
PACKING :20pcs/ctn/2.49cuf
WEIGHT :12.6kgs/ctn
MIN Q'TY :20pcs

ORDER NO.
503-7000030

TMC-7162RK

REPLACEMENT SELF-PRIMING UNIT

ORDER NO.
504-0301013



FOOT PUMP



TMC-70701

DIAPHRAGM FOOT PUMP
SELF-PRIMING & DOUBLE ACTING.

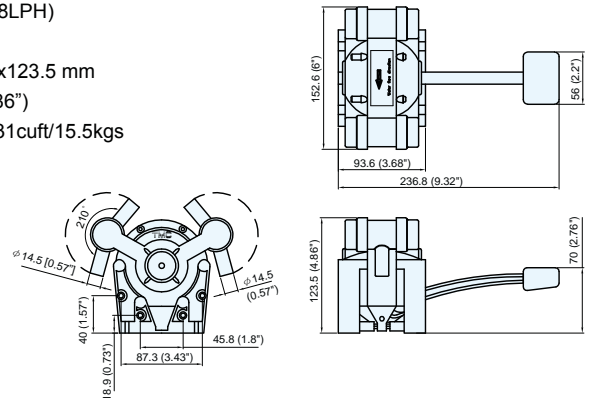
CAPACITY :240GPH (908LPH)
HOSE DIA. :1/2" (13mm)
DIMENSION :236.8x152.6x123.5 mm
(LxWxH) (9.32"x6"x4.86")
PACKING :12pcs/ctn/2.31cuf/15.5kgs
MIN Q'TY :12pcs

ORDER NO. 503-7000010

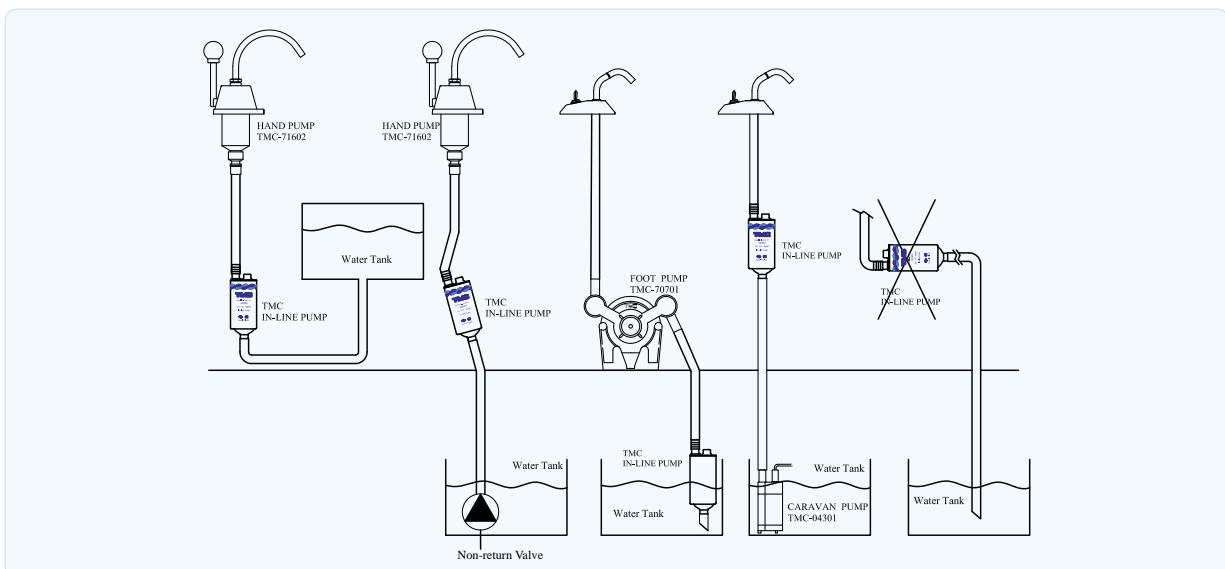
TMC-707RK

DIAPHRAGM REPAIR KITS
(DIAPHRAGM+VALVE+JOINTS)

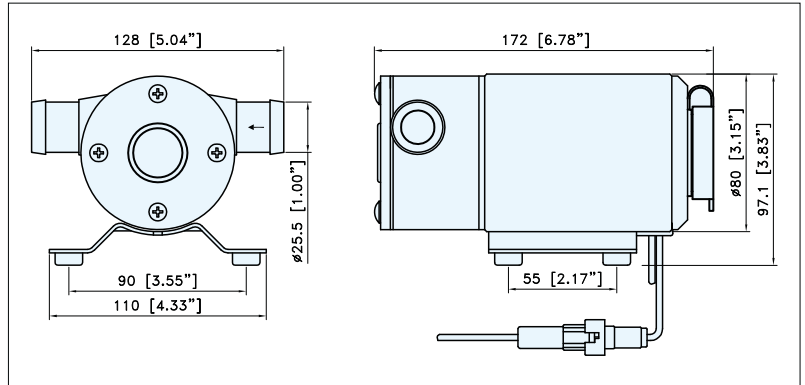
ORDER NO. 504-0301008



Applications:



WATER PUMPS

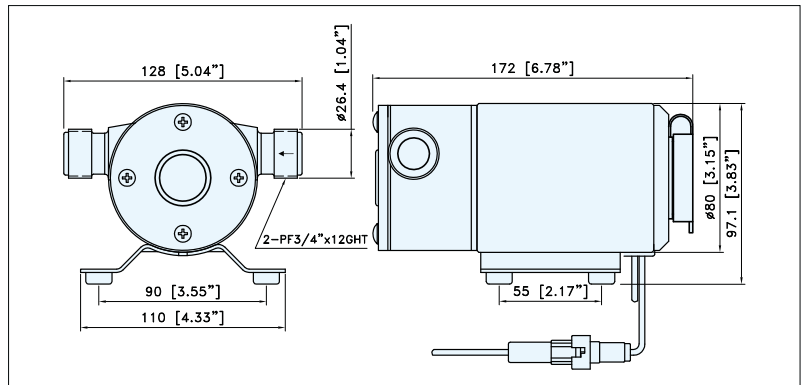


TMC-06203 WATER PUMP

MOTOR :12V / 24V
 CAPACITY :400GPH (1512LPH)
 AMP DRAW :8A (12V) / 4A (24V)
 FUSE SIZE :15A (12V) / 8A (24V)
 HOSE DIA. :1"(25mm)
 DELIVERY HEAD :13FT. (4M)

DIMENSION :172x128x97.1 mm
 (LxWxH) (6.78"x5.04"x3.83")
 PACKING :8pcs/ctn/1.26cuft
 WEIGHT :22.4kgs/ctn
 MIN Q'TY :8pcs

ORDER NO.
 503-6204031 12V
 503-6204032 24V



TMC-06204 WATER PUMP

MOTOR :12V / 24V
 CAPACITY :400GPH (1512LPH)
 AMP DRAW :8A (12V) / 4A (24V)
 FUSE SIZE :15A (12V) / 8A (24V)
 HOSE DIA. :1"(25mm)
 EXTERNAL THREAD :3/4" BSPF(W/12TPI)

DELIVERY HEAD :13FT. (4M)
 DIMENSION :172x128x97.1 mm
 (LxWxH) (6.78"x5.04"x3.83")
 PACKING :8pcs/ctn/1.26cuft/22.4kgs
 MIN Q'TY :8pcs

ORDER NO.
 503-6204041 12V
 503-6204042 24V



TMC-06211

REPLACEMENT IMPELLER FOR
 WATER PUMPS

TMC-06201, 06202, 06203,
 06204, 06205

MATERIAL :NBR (NITRIL RUBBER)
 HARDNESS :60 ± 5
 THICKNESS :22.1 ± 0.1mm
 IMPELLER DIA :50.7mm
 ORDER NO. 504-0362007

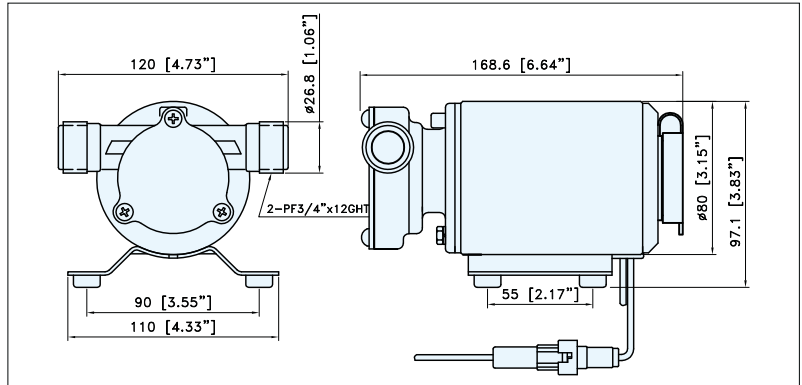


TMC-00006

PRESSURE SWITCH
 FOR 06201, 06202

PACKING :30pcs/ctn/1.62cuft
 WEIGHT :8.2kgs/ctn
 ORDER NO. 504-0301006

WATER PUMPS



TMC-06201 WATER PUMP

MOTOR :12V / 24V
 CAPACITY :400GPH (1512LPH)
 AMP DRAW :8A (12V) / 4A (24V)
 FUSE SIZE :15A (12V) / 8A (24V)
 HOSE DIA. :1" (25mm)
 DELIVERY HEAD :13FT. (4M)
 DIMENSION :168.6x120x97.1 mm
 (LxWxH) (6.64"x4.73"x3.83")

PACKING :8pcs/ctn/1.26cuft
 MIN Q'TY :8pcs
 WEIGHT :24.8kgs/ctn

THREAD OPTION 1

Internal thread: 1/2"BSPT(w/14TPI)
 External thread: 3/4"BSPP(w/12TPI)

ORDER NO.

503-6204011 12V
 503-6204012 24V

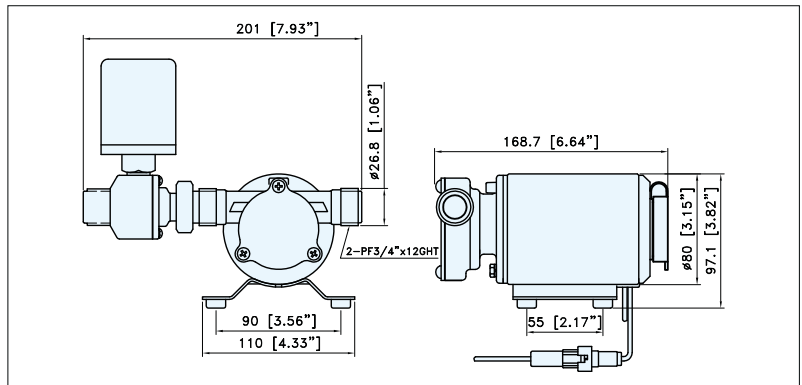
THREAD OPTION 2

Internal thread: 1/2"BSPT(w/14TPI)
 External thread: 3/4"BSPP(w/14TPI)

ORDER NO.

503-6204071 12V
 503-6204072 24V

- BSPT: British Standard Pipe Taper Thread
- BSPP/BSPP: British Standard Pipe Parallel Thread
- TPI: Thread per inch



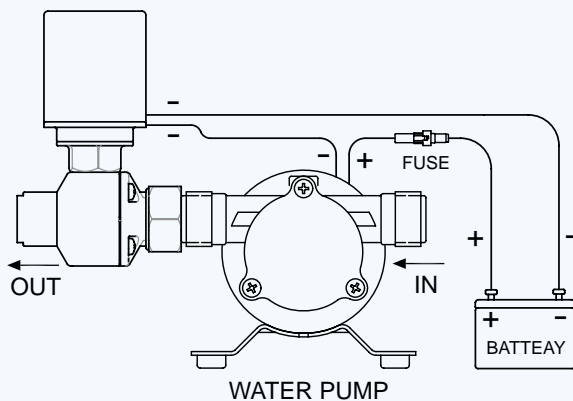
TMC-06202 WATER PUMP WITH PRESSURE SWITCH

MOTOR :12V / 24V
 CAPACITY :400GPH (1512LPH)
 AMP DRAW :8A (12V) / 4A (24V)
 FUSE SIZE :15A (12V) / 8A (24V)
 HOSE DIA. :1" (25mm)

DELIVERY HEAD :13FT. (4M)
 DIMENSION :168.6x201x97.1 mm
 (LxWxH) (6.64"x7.93"x3.83")
 PACKING :8pcs/ctn/1.45cuft/26.8kgs
 MIN Q'TY :8pcs

ORDER NO.

503-6204021 12V
 503-6204022 24V



WATER PUMP

TMC-06202 WIRING DIAGRAM

WATER PUMP WITH PRESSURE SWITCH WHEN WATER PRESSURE IS LOWER THAN 0.3Kg-cm² "SWITCH IS ON"; WATER PRESSURE IS HIGHER THAN 0.4Kg-cm², "SWITCH IS OFF"

REMARK: WHEN ASSEMBLING THIS PUMP, PLEASE PUT THE O-RING IN THE PRESSURE CONTROL SWITCH FIRST, THEN ENCASE THE LOCK-OUT IN AND TURN TIGHTLY.

WATER PRESSURE PUMP

NEW
PRODUCT



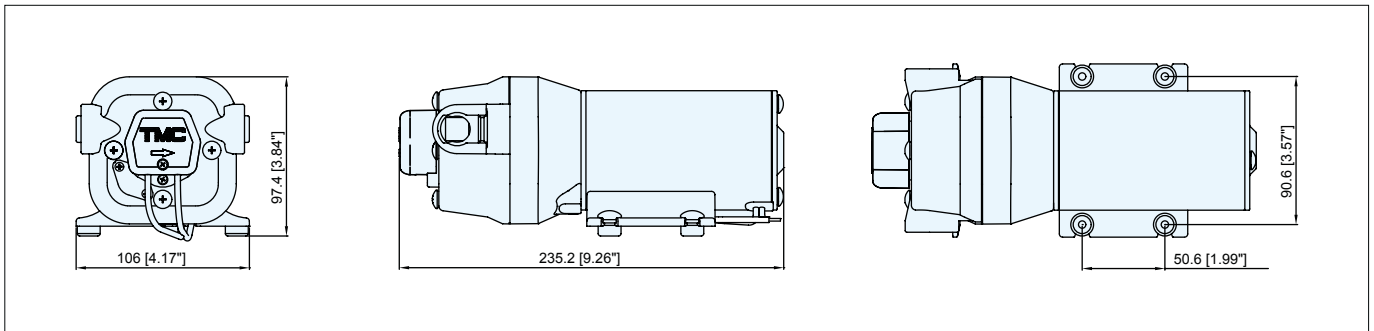
TMC-36501

- 4-CHAMBER DIAPHRAGM DESIGN
- SERVE UP TO 3 - 4 OUTLETS
- SMOOTH CONSTANT FLOW
- BUILT-IN CHECK VALVE TO PREVENT BACKFLOW
- SNAP-IN PORT FITTINGS 1/2"(13MM) INCLUDED
- BUILT-IN THERMAL OVERLOAD PROTECTION
- SELF-PRIMING & CAN BE RUN DRY

MOTOR : 12V / 24V
 CAPACITY : 16.3 LPM (4.3 GPM)
 AMP DRAW : 6A (12V) / 3A (24V)
 FUSE : 15A (12V) / 8A (24V)
 PRESSURE : 20 PSI / 1.4 BAR (CUT-IN; ON) ;
 40 PSI / 2.8 BAR (CUT-OUT; OFF)
 PACKING : 6pcs/ctn/1.03cuft
 WEIGHT : 16.7kgs/ctn

ORDER NO.

503-650101100 12V
 503-650101200 24V



INSTALLATION

Fig.1

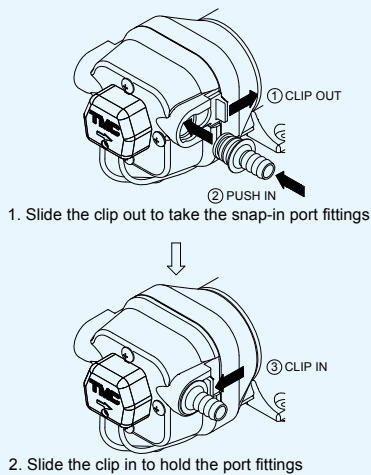
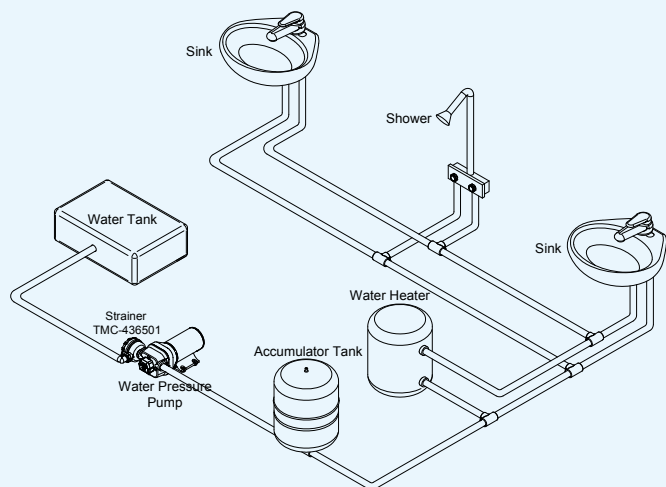


Fig.2 Installation illustration



WATER INTAKE RINSE PUMP

NEW
PRODUCT



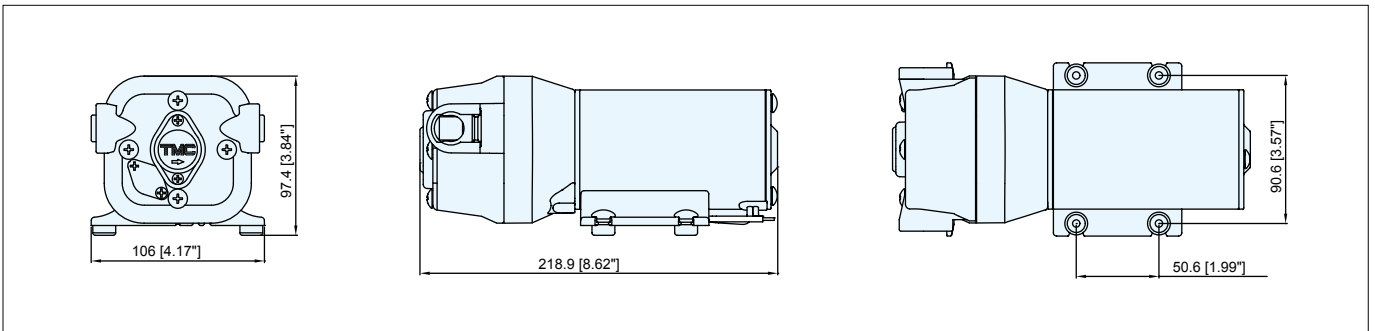
TMC-36502

- 4-CHAMBER DIAPHRAGM DESIGN
- INTAKE RAW SEA, RIVER OR LAKE WATER FOR FLUSHING
- BUILT-IN CHECK VALVE TO PREVENT BACKFLOW
- SNAP-IN PORT FITTINGS 3/4" (19MM) INCLUDED
- BUILT-IN THERMAL OVERLOAD PROTECTION
- SELF-PRIMING & CAN BE RUN DRY

MOTOR : 12V / 24V
 CAPACITY : 16.3 LPM (4.3 GPM)
 AMP DRAW : 6A(12V) / 3A(24V)
 FUSE : 15A(12V) / 8A(24V)
 PACKING : 6pcs/ctn/0.90cuft
 WEIGHT : 16.7kgs/ctn

ORDER NO.

503-650201100 12V
 503-650201200 24V



TMC-436505	TMC-436507	TMC-436506	TMC-436508	TMC-436509	TMC-436511	TMC-436510	TMC-436512
1/2" HOSE BARB STRAIGHT	1/2" HOSE BARB 90° ELBOW	1/2" THREADED STRAIGHT	1/2" THREADED 90° ELBOW	3/4" HOSE BARB STRAIGHT	3/4" HOSE BARB 90° ELBOW	3/4" THREADED STRAIGHT	3/4" THREADED 90° ELBOW
Order No. 504-036500500	Order No. 504-036500700	Order No. 504-036500600	Order No. 504-036500800	Order No. 504-036500900	Order No. 504-036501100	Order No. 504-036501000	Order No. 504-036501200

TMC-436502 Order No.: 504-036500200
 Strainer w/ 1/2" port fittings (barb+threaded, straight+elbow) 1pc each;
 Including TMC-436501+436505+ 436506+ 436507+436508

TMC-436503 Order No.: 504-036500300
 Strainer w/ 3/4" port fittings (barb+threaded, straight+elbow) 1pc each;
 Including TMC-436501+436509+ 436510+ 436511+436512

TMC-436504 Order No.: 504-036500400
 Strainer w/ all port fittings (1/2"+3/4", barb+threaded, straight+elbow) 1pc each;
 Including TMC-436501+436505+ 436506+ 436507+436508+436509+ 436510+ 436511+436512

TMC-436501
 Strainer only without port fittings.
 Order No.: 504-036500100

WIPER MOTORS



TMC-00301/00302

SELF-PARKING MARINE WIPER MOTOR.
PVC COATING HOUSING.

SWEEPING ANGLE: 90° / 110°

MOTOR :12V / 24V

AMP DRAW :1.0A (12V) / 0.5A (24V)

FUSE SIZE :1.5A (12V) / 1A (24V)

PACKING :24pcs/ ctn/1.58cuft/21.5kgs

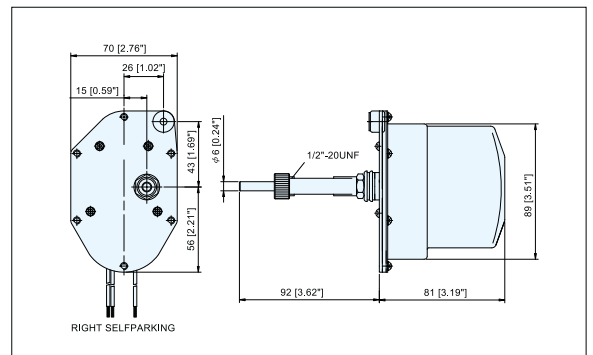
ORDER NO.

502-0310011 (00301) 12V 90°

502-0310012 (00301) 24V 90°

502-0320011 (00302) 12V 110°

502-0320012 (00302) 24V 110°



TMC-00301 PVC COATING HOUSING COMPLETE WIPER SET (INCLUDING MOTOR, ARM AND BLADE)

TMC-00020

SWEEPING DEGREE 90°; 11" ARM & BLADE
(TMC-00301 + TMC-00007 + TMC-00014)

ORDER NO.

502-0311011 12V

502-0311012 24V

PACKING: 20pcs/ctn/3.00cuft/19.5kgs

TMC-00022

SWEEPING DEGREE 90°; 14" ARM & BLADE
(TMC-00301 + TMC-00008 + TMC-00015)

ORDER NO.

502-0311021 12V

502-0311022 24V

PACKING: 20pcs/ctn/3.00cuft/23.3kgs

TMC-00302 PVC COATING HOUSING COMPLETE WIPER SET (INCLUDING MOTOR, ARM AND BLADE)

TMC-00019

SWEEPING DEGREE 110°; 11" ARM & BLADE
(TMC-00302 + TMC-00007 + TMC-00014)

ORDER NO.

502-0321011 12V

502-0321012 24V

PACKING: 20pcs/ctn/3.00cuft/19.5kgs

TMC-00021

SWEEPING DEGREE 110°; 14" ARM & BLADE
(TMC-00302 + TMC-00008 + TMC-00015)

ORDER NO.

502-0321021 12V

502-0321022 24V

PACKING: 20pcs/ctn/3.00cuft/23.3kgs



ADJUSTABLE WIPER ARMS (SUS304)

ORDER NO.

508-0500007 (00007) 11" (155m/m to 255m/m)

508-0500008 (00008) 14" (195m/m to 330m/m)

WIPER BLADES (SUS304)

ORDER NO.

508-0500014 (00014) 11"

508-0500015 (00015) 14"

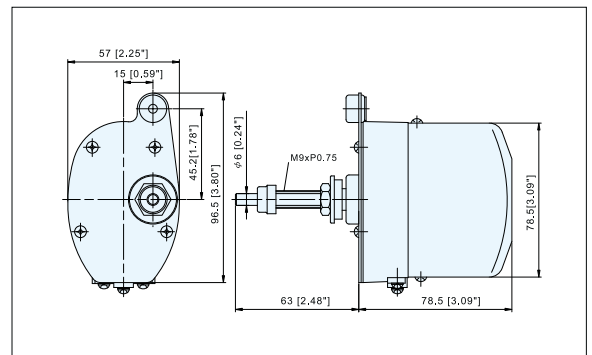
WIPER MOTORS



TMC-00801/00802

SELF-PARKING MARINE WIPER MOTOR
 S.S. HOUSING
 SWEEPING ANGLE: 90° / 110°
 MOTOR :12V / 24V
 AMP DRAW :1.0A (12V) / 0.5A (24V)
 FUSE SIZE :1.5A (12V) / 1A (24V)
 PACKING :30pcs/ctn/1.62cuft/21.4kgs

ORDER NO.
 502-0810011 (00801) 12V 90°
 502-0810012 (00801) 24V 90°
 502-0820011 (00802) 12V 110°
 502-0820012 (00802) 24V 110°



TMC-00801 S.S. HOUSING COMPLETE WIPER SET (INCLUDING MOTOR, ARM AND BLADE)

TMC-00024

SWEEPING DEGREE 90°; 11" ARM & BLADE
 (TMC-00801 + TMC-00007 + TMC-00014)
 ORDER NO.
 502-0811011 12V
 502-0811012 24V
 PACKING: 20pcs/ctn/3.00cuft/19.5kgs

TMC-00026

SWEEPING DEGREE 90°; 14" ARM & BLADE
 (TMC-00801 + TMC-00008 + TMC-00015)
 ORDER NO.
 502-0811021 12V
 502-0811022 24V
 PACKING: 20pcs/ctn/3.00cuft/23.3kgs

TMC-00802 S.S. HOUSING COMPLETE WIPER SET (INCLUDING MOTOR, ARM AND BLADE)

TMC-00023

SWEEPING DEGREE 110°; 11" ARM & BLADE
 (TMC-00802 + TMC-00007 + TMC-00014)
 ORDER NO.
 502-0821011 12V
 502-0821012 24V
 PACKING: 20pcs/ctn/3.00cuft/19.5kgs

TMC-00025

SWEEPING DEGREE 110°; 14" ARM & BLADE
 (TMC-00802 + TMC-00008 + TMC-00015)
 ORDER NO.
 502-0821021 12V
 502-0821022 24V
 PACKING: 20pcs/ctn/3.00cuft/23.3kgs

ADJUSTABLE WIPER ARMS (SUS304)

ORDER NO.
 508-0500007 (00007) 11" (155m/m to 255m/m)
 508-0500008 (00008) 14" (195m/m to 330m/m)

WIPER BLADES (SUS304)

ORDER NO.
 508-0500014 (00014) 11"
 508-0500015 (00015) 14"



WIPER MOTORS & ARMS

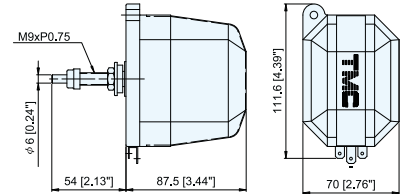


TMC-00803/00804

WATERPROOF TYPE
 SELF-PARKING MARINE WIPER MOTOR
 WITH PLASTIC COVER
 SWEEPING ANGLE: 90°/ 110°
 MOTOR :12V / 24V
 AMP DRAW :1.0A (12V) / 0.5A (24V)
 FUSE SIZE :1.5A (12V) / 1A (24V)
 PACKING :30pcs/ctn/1.87cuft/22.2kgs

ORDER NO.

- 502-0810021 (00803) 12V 90°
- 502-0810022 (00803) 24V 90°
- 502-0820021 (00804) 12V 110°
- 502-0820022 (00804) 24V 110°

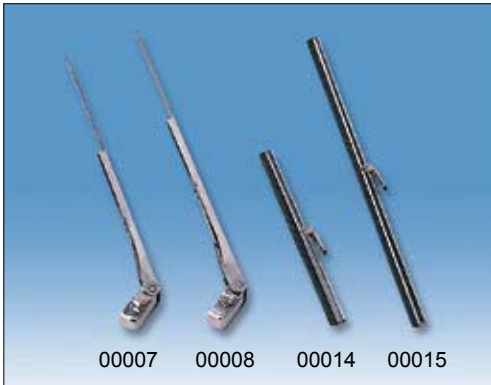
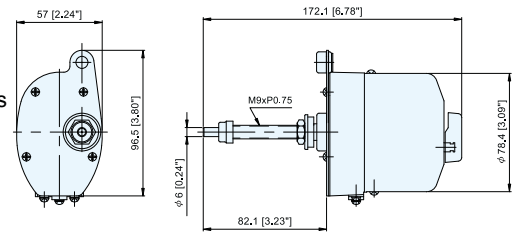


TMC-00603/00604

SELF-PARKING WIPER MOTOR
 PLASTIC BLACK COLOR HOUSING.
 SWEEPING ANGLE: 90°/ 110°
 MOTOR :12V / 24V
 AMP DRAW :1.0A (12V) / 0.5A (24V)
 FUSE SIZE :1.5A (12V) / 1.0A (24V)
 PACKING :30pcs/ctn/1.62cuft/20.2kgs

ORDER NO.

- 502-0610011 (00603) 12V 90°
- 502-0610012 (00603) 24V 90°
- 502-0620011 (00604) 12V 110°
- 502-0620012 (00604) 24V 110°



ADJUSTABLE WIPER ARMS (SUS304)

ORDER NO.

- 508-0500007 (00007) 11" (155m/m to 255m/m)
- 508-0500008 (00008) 14" (195m/m to 330m/m)

WIPER BLADES (SUS304)

ORDER NO.

- 508-0500014 (00014) 11"
- 508-0500015 (00015) 14"

TMC-SS11

11" WIPER ARM + BLADE SET
 INCLUDING TMC-00007 + TMC-00014
ORDER NO. 508-0501306

TMC-SS14

14" WIPER ARM + BLADE SET
 INCLUDING TMC-00008 + TMC-00015
ORDER NO. 508-0501307

HAND WIPER COMPLETE SET



TMC-00033/ 00034

TMC-00033
 11" HAND WIPER COMPLETE SET
ORDER NO. 508-0501403

TMC-00034
 14" HAND WIPER COMPLETE SET
ORDER NO. 508-0501404



ELECTRONIC WIPER CONTROLLER

NEW PRODUCT



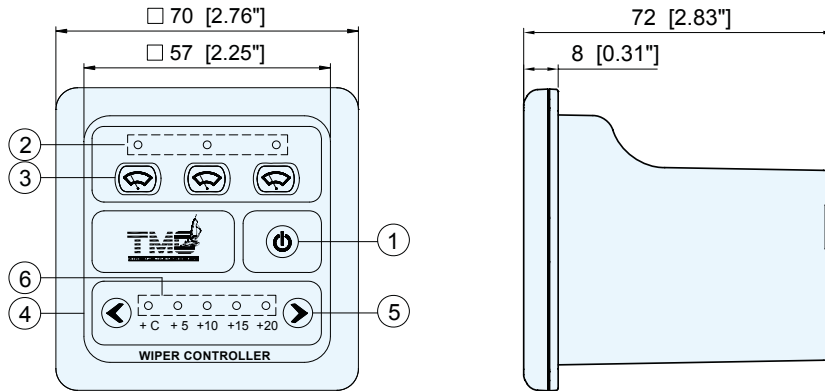
TMC-2240501

- WORK WITH TMC-009 SERIES HEAVY DUTY WIPER MOTORS
- CAN BE USED WITH DC-12V AND 24V SYSTEM
- POWER CONSUMPTION: MAX. 4A PER WIPER MOTOR
- FUSE SIZE: 15A
- BASED ON MICROPROCESSOR
- RANGE OF 5 TIMING REGULATIONS
- FROM 1-3 WIPERS CONFIGURATION
- SMART TOUCH PANEL
- LED INTERFACE
- CAN BE SWITCHED ON INDIVIDUALLY OR IN ANY COMBINATION
- SELECTED FUNCTION MODE VISUALIZED BY 5 LED LIGHTS
- RELAY BOX WITH PLUG-IN CABLE

PACKING :36pcs/ctn/1.25cuft

WEIGHT :9.64kgs/ctn

ORDER NO. 502-240501000



SPECIFICATIONS

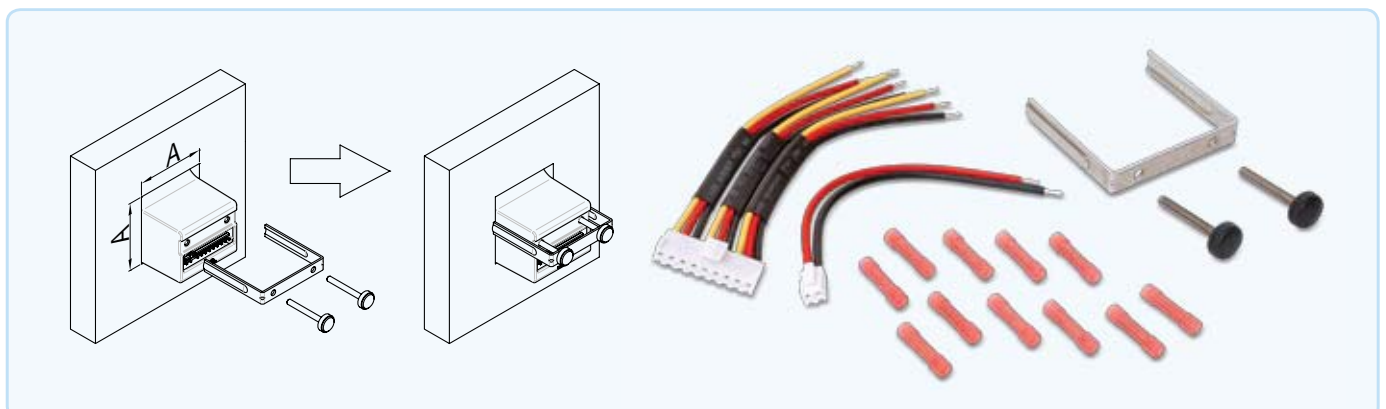
Key Position	Function	Description
1	Power	On/off
2	Wiper LED lamp	LED on - wiper on LED off - wiper off
3	Single wiper motor key	On/off
4	Time key (go left)	Decrease time interval
5	Time key (go right)	Increase time interval
6	Time key LED lamp	LED on - time key on LED off - time key off

LED State	Time Interval	Operation Mode
+C	Low speed or Fast speed	Continuous
+5	5 Seconds	Intermittent
+10	10 Seconds	Intermittent
+15	15 Seconds	Intermittent
+20	20 Seconds	Intermittent

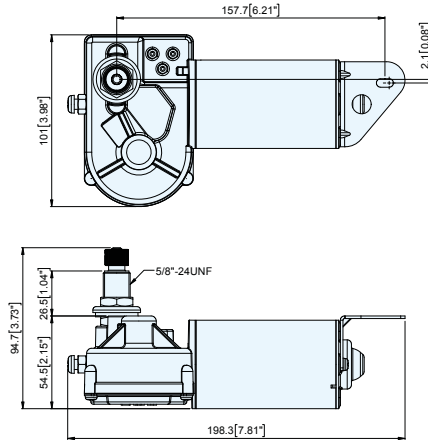
- When the power is on, LED lamp of key #2 & #6 will be on. The LED lamp state will remain the same as your last operation mode.

INSTALLATIONS

- Cut a square hole by size 58mm x 58mm (2.28" x 2.28")
- Fit for wall thickness between 6mm to 25mm (0.24" - 0.25")



HEAVY-DUTY WIPER MOTORS



TMC-00901

HEAVY-DUTY MARINE WIPER MOTOR
 1.0" SHAFT, 2-SPEED, LEFT SELF-PARKING
 SHAFT : 1.0"
 PRESET SELF PARKING : LEFT
 MOTOR : 12V / 24V
 STALL TORQUE : 100kg-cm
 HIGH SPEED AMP : 1.5A (12V) / 1.0A(24V)
 LOW SPEED AMP : 1.0A (12V) / 0.5A (24V)
 PACKING : 12pcs/ctrn/2.10cuf/18.8kgs

■ SWEEPING DEGREE : 83°-100°-110°-120° INTERCHANGEABLE

ORDER NO. (PRESET: 110°)

502-0920011 12V

502-0920012 24V

■ SWEEPING DEGREE : 60°-70°-80°-90° INTERCHANGEABLE

ORDER NO. (PRESET: 60°)

502-0930041 12V

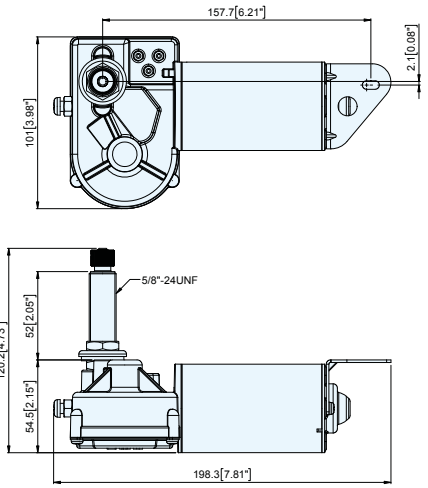
502-0930042 24V

■ SWEEPING DEGREE : 40°-45°-50°-55° INTERCHANGEABLE

ORDER NO. (PRESET: 45°)

502-0990011 12V

502-0990012 24V



TMC-00902

HEAVY-DUTY MARINE WIPER MOTOR
 2.0" SHAFT, 2-SPEED, LEFT SELF-PARKING
 SHAFT : 2.0"
 THE REST SPECIFICATIONS ARE SAME AS TMC-00901

■ SWEEPING DEGREE : 83°-100°-110°-120° INTERCHANGEABLE

ORDER NO. (PRESET: 110°)

502-0920021 12V

502-0920022 24V

■ SWEEPING DEGREE : 60°-70°-80°-90° INTERCHANGEABLE

ORDER NO. (PRESET: 60°)

502-0930071 12V

502-0930072 24V

■ SWEEPING DEGREE : 40°-45°-50°-55° INTERCHANGEABLE

ORDER NO. (PRESET: 45°)

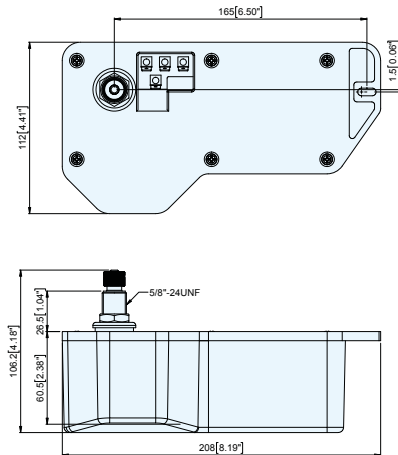
502-0990031 12V

502-0990032 24V

ORDER TIPS:

- TO EASE YOUR WORKS, PLEASE INDICATE
 - SWEEPING DEGREE
 - SELF PARKING POSITION (LEFT OR RIGHT) WHEN PLACING ORDERS IN ORDER TO DO THE PRESETTING AT OUR FACTORY
- ARMS & BLADES CAN BE FOUND ON PAGE 30

WATERPROOF HEAVY-DUTY WIPER MOTORS



TMC-00905

WATER PROOF TYPE HEAVY-DUTY MARINE WIPER MOTOR WITH PLASTIC COVER

1.0" SHAFT, 2-SPEED, LEFT SELF-PARKING

- SHAFT : 1.0"
- PRESET SELF PARKING : LEFT
- MOTOR : 12V / 24V
- STALL TORQUE : 100kg-cm
- HIGH SPEED AMP : 1.5A (12V) / 1.0A(24V)
- LOW SPEED AMP : 1.0A (12V) / 0.5A (24V)
- PACKING : 8pcs/ctn/1.84cuft/14.9kgs

■ SWEEPING DEGREE : 83°-100°-110°-120° INTERCHANGEABLE

ORDER NO. (PRESET: 110°)

502-0920031 12V

502-0920032 24V

■ SWEEPING DEGREE : 60°-70°-80°-90° INTERCHANGEABLE

ORDER NO. (PRESET: 60°)

502-1930011 12V

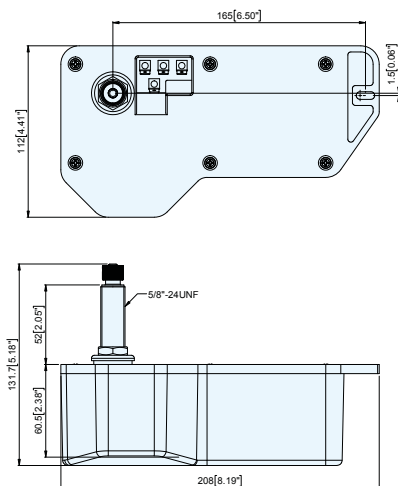
502-1930012 24V

■ SWEEPING DEGREE : 40°-45°-50°-55° INTERCHANGEABLE

ORDER NO. (PRESET: 45°)

502-1990011 12V

502-1990012 24V



TMC-00906

WATER PROOF TYPE HEAVY-DUTY MARINE WIPER MOTOR WITH PLASTIC COVER

2.0" SHAFT, 2-SPEED, LEFT SELF-PARKING

PACKING : 8PCS/CTN/1.86CUFT/15KGS

THE REST SPECIFICATIONS ARE SAME AS TMC-00905

ORDER TIPS:

- TO EASE YOUR WORKS, PLEASE INDICATE
 - SWEEPING DEGREE
 - SELF PARKING POSITION (LEFT OR RIGHT) WHEN PLACING ORDERS IN ORDER TO DO THE PRESETTING AT OUR FACTORY
- ARMS & BLADES CAN BE FOUND ON PAGE 30

■ SWEEPING DEGREE : 83°-100°-110°-120° INTERCHANGEABLE

ORDER NO. (PRESET: 110°)

502-0920041 12V

502-0920042 24V

■ SWEEPING DEGREE : 60°-70°-80°-90° INTERCHANGEABLE

ORDER NO. (PRESET: 60°)

502-1930031 12V

502-1930032 24V

■ SWEEPING DEGREE : 40°-45°-50°-55° INTERCHANGEABLE

ORDER NO. (PRESET: 45°)

502-1990031 12V

502-1990032 24V

SCREW-ON HEAVY DUTY WIPER MOTOR



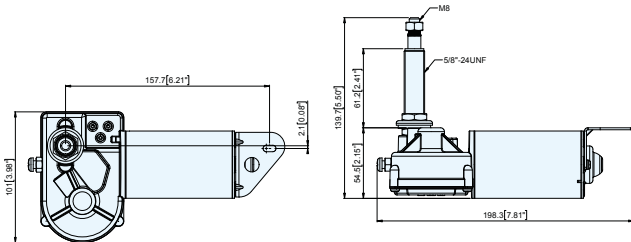
TMC-0091101

**SCREW-ON TYPE HEAVY-DUTY MARINE WIPER MOTOR
2-1/3" SHAFT, 2-SPEED, LEFT SELF-PARKING**

- SHAFT : 2.-1/3"
- PRESET SELF PARKING : LEFT
- MOTOR : 12V / 24V
- STALL TORQUE : 100kg-cm
- HIGH SPEED AMP : 1.5A (12V) / 1.0A(24V)
- LOW SPEED AMP : 1.0A (12V) / 0.5A (24V)
- PACKING : 12pcs/ctn/1.99cuft/18.8kgs

ORDER TIPS:

- TO EASE YOUR WORKS, PLEASE INDICATE
 - SWEEPING DEGREE
 - SELF PARKING POSITION (LEFT OR RIGHT) WHEN PLACING ORDERS IN ORDER TO DO THE PRESETTING AT OUR FACTORY
- SWEEPING DEGREE : 83°-100°-110°-120° INTERCHANGEABLE
ORDER NO. (PRESET: 83°)
502-0920061 12V 502-0920062 24V
- SWEEPING DEGREE : 60°-70°-80°-90° INTERCHANGEABLE
ORDER NO. (PRESET: 60°)
502-2930011 12V 502-2930012 24V
- SWEEPING DEGREE : 40°-45°-50°-55° INTERCHANGEABLE
ORDER NO. (PRESET: 45°)
502-2990011 12V 502-2990012 24V



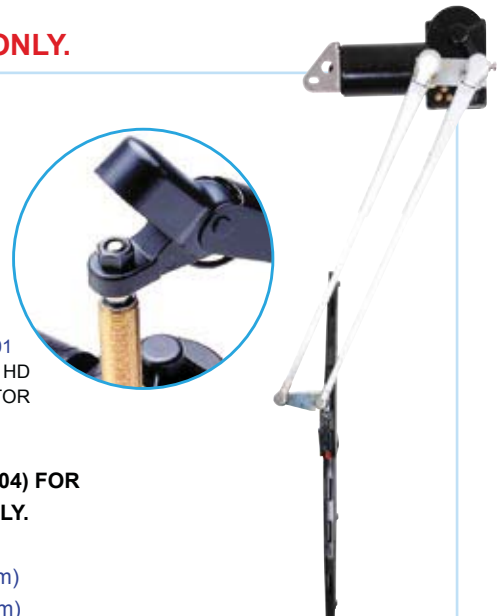
ADJUSTABLE WIPER ARMS FOR USE WITH SCREW-ON TYPE WIPER MOTOR TMC-0091101 ONLY.

**SINGEL ADJUSTABLE WIPER ARM (SS304) FOR
TMC-0091101 SCREW-ON WIPER MOTOR ONLY.**

- ORDER NO.
- 508-0500009H (00009H) 11" (220mm-300mm)
 - 508-0500010H (00010H) 14" (270mm-365mm)
 - 508-0500047H (00047H) 16" (330mm-425mm)



TMC-0091101
SCREW-ON HD
WIPER MOTOR



**PARALLEL ADJUSTABLE WIPER ARMS (SS304) FOR
TMC-0091101 SCREW-ON WIPER MOTOR ONLY.**

- ORDER NO.
- 508-0500011H (00011H) 14" (270mm-365mm)
 - 508-0500012H (00012H) 16" (330mm-425mm)
 - 508-050101-21H (0101-21H) 22" (470mm-550mm)



**BRACKET FOR PARALLEL WIPER ARMS FOR
TMC-0091101 SCREW ON TYPE ONLY.**

- ORDER NO.
508-0501502 (00013H)



HEAVY-DUTY ADJUSTABLE WIPER ARMS & BLADES

- FOR USE WITH TMC-00901,00902, 00905 & 00906 HEAVY DUDY WIPER MOTORS, EXCEPT SCREW ON TYPE TMC-0091101.
- STAINLESS STEEL (SS304) ADJUSTABLE WIPER ARMS.
- ARM HAS ARTICULATING / BEND-BACK FEATURE.



SINGEL ADJUSTABLE WIPER ARM (SS304)

ORDER NO.

508-00009A (00009A) 9-1/4" -12-3/8" (235mm-315mm)

508-00009LA (00009LA) 11-1/4" -15" (285mm-380mm)

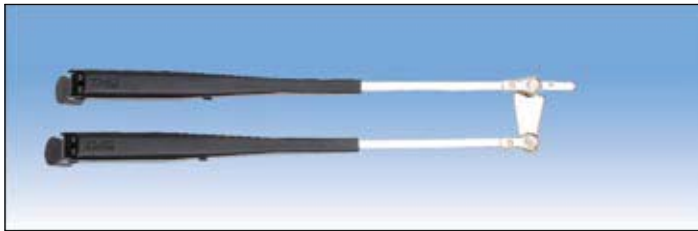


SINGEL ADJUSTABLE WIPER ARM (SS304)

ORDER NO.

508-00010A (00010A) 11-1/4" -15" (285mm-380mm)

508-0501304A (0501304A) 13-1/2" -17-3/8" (345mm-440mm)



PARALLEL ADJUSTABLE WIPER ARMS (SS304)

ORDER NO.

508-00011A (00011A) 11-1/4" -15" (285mm-380mm)

508-00012A (00012A) 13-1/2" -17-3/8" (345mm-440mm)

508-0101-18A (0101-18A) 16-3/8" -19-1/2" (415mm-495mm)

508-0101-21A (0101-21A) 19-1/2" -22-5/8" (495mm-575mm)

BRACKET FOR PARALLEL WIPER ARMS

ORDER NO.

508-0501501 (00013)



HEAVY DUTY WIPER BLADES



00016 00017 00018

(SUS 304)



011BP-12 011BP-14 011BP-16

(Black Plastic)

HEAVY-DUTY WIPER BLADES

FOR TMC-00901/00902, 00905/00906 & 0091101

ORDER NO.

(SUS 304)

508-0500016 (00016) 11" SUS304

508-0500017 (00017) 14" SUS304

508-0500018 (00018) 16" SUS304

(Black Plastic)

508-05011BP-12 (011BP-12) 12" BLACK PLASTIC

508-05011BP-14 (011BP-14) 14" BLACK PLASTIC

508-05011BP-16 (011BP-16) 16" BLACK PLASTIC

508-05011BP-18 (011BP-18) 18" BLACK PLASTIC

ELECTRIC GEAR PUMP



TMC-6010101

SELF-PRIMING, BRONZE GEAR
 PUMPING ELEMENTS INSIDE
 MOTOR :12V / 24V
 AMP DRAW :15A (12V) / 8A (24V) FOR
 GENERAL LIQUID
 FUSE SIZE :35A (12V) / 15A (24V)
 HOSE DIA :5/8" (16mm)

DIMENSION :161.6x183.5x171.5 mm
 (LxWxH) (6.36"x7.22"x6.75")
 PACKING :6pcs/ctn/1.69cuft
 WEIGHT :28kgs/ctn
 MIN Q'TY :6pcs

ORDER NO.
 503-6004011 12V
 503-6004012 24V

PERFORMANCE FOR ENGINE OIL

Engine Oil Type	Voltage	Amp	Fuse	Capacity		Self-priming(wet) Vertical Lift	Self-priming(Dry) Vertical Lift
				LPH	GPH		
SAE 10W/40	12V	22.5A	35A	999	264	2.5M (8.2FT)	0.8M (2.6FT)
SAE 15W/40	12V	28.0A	35A	868	229	2.5M (8.2FT)	0.8M (2.6FT)
SAE 20W/50	12V	27.5A	35A	700	185	2.5M (8.2FT)	0.8M (2.6FT)

Caution: Do not use where flammable vapor are present.

PORTABLE ELECTRIC OUTBOARD MOTOR FLUSHER



TMC-06207

MOTOR :12V
 CAPACITY :400GPH (1512LPH)
 AMP DRAW :12A
 FUSE SIZE :20A
 DELIVERY HEAD :32.5FT.(10M)
 DIMENSION :430x180x260 mm
 (LxWxH) (16.93"x7.09"x10.24")
 PACKING :3pcs/ctn/3.08cuft
 MIN Q'TY :3pcs
 WEIGHT :20.4kgs/ctn
 ORDER NO.
 503-6204061 12V



MOTOR FLUSHER ACCESSORIES



008-06190 ROUND CUPS MOTOR FLUSHER
 008-06191 ROUND CUPS, HEAVY DUTY, DUAL FLOW, MOTOR FLUSHER
 008-06192 RECTANGULAR CUPS, HEAVY DUTY, DUAL FLOW MOTOR FLUSHER
 508-0619001= 008-06190 + 3/4" BSP ADAPTER
 508-0619101= 008-06191 + 3/4" BSP ADAPTER
 508-0619201= 008-06192 + 3/4" BSP ADAPTER

12V POWER TILT / TRIM MOTOR / RESERVOIR / PUMP UNIT



TMC-6010501

- 12V 3-WIRE POWER TRIM / TILT HYDRAULIC PUMP UNIT
- COME WITH PUMP / MOTOR / LEFT SIDE FILL RESERVOIR
- PUMP COMES WITH A GEAR SET, LOW FLOW / HIGH CAPACITY

DIMENSION :172.8x150.8x274.1mm

(LxWxH) (6.8"x5.94"x10.79")

PACKING :4pcs/ctn/1.60cuft

WEIGHT :18.8kgs/ctn

MIN Q'TY :4pcs

ORDER NO. 502-600602100



TMC-00060

- 12V 3-WIRE TILT / TRIM MOTOR

DIMENSION :95.8x95.8x176.3mm

(LxWxH) (3.77"x3.77"x6.94")

PACKING :6pcs/ctn/0.58cuft

WEIGHT :19.7kgs/ctn

MIN Q'TY :6pcs

ORDER NO. 504-0260004

HYDRAULIC VALVE BODY & LEFT SIDE FILL RESERVOIR



TMC-00062

- HYDRAULIC VALVE BODY & LEFT SIDE RESERVOIR
- PORT SIZES ARE 1/8" NPT
- COMES WITH STAINLESS STEEL FITTINGS

DIMENSION :172.8x150.8x127.7mm

(LxWxH) (6.8"x5.94"x5.03")

PACKING :12pcs/ctn/1.88cuft

WEIGHT :15.4kgs/ctn

MIN Q'TY :12pcs

ORDER NO. 504-0260002



TMC-00063

- HDPE LEFT SIDE FILL OIL RESERVOIR
- 4 SCREW MOUNT
- SUPPLIED WITH O-RING, FILL CAP WITH SCREEN

DIMENSION :172.8x150.8x101mm

(LxWxH) (6.8"x5.94"x3.98")

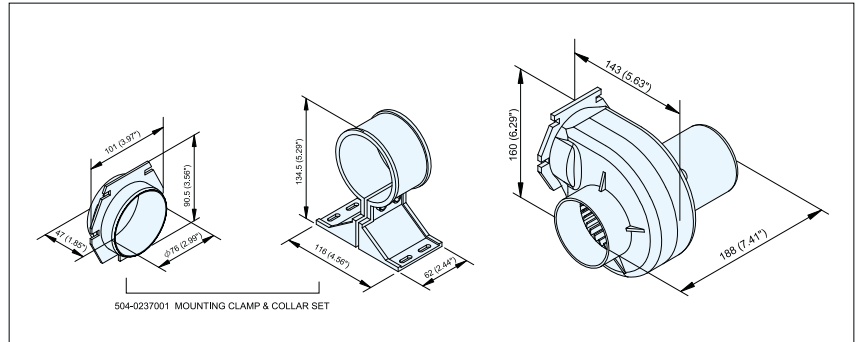
PACKING :24pcs/ctn/2.92cuft

WEIGHT :9.3kgs/ctn

MIN Q'TY :24pcs

ORDER NO. 504-0260001

BILGE BLOWERS



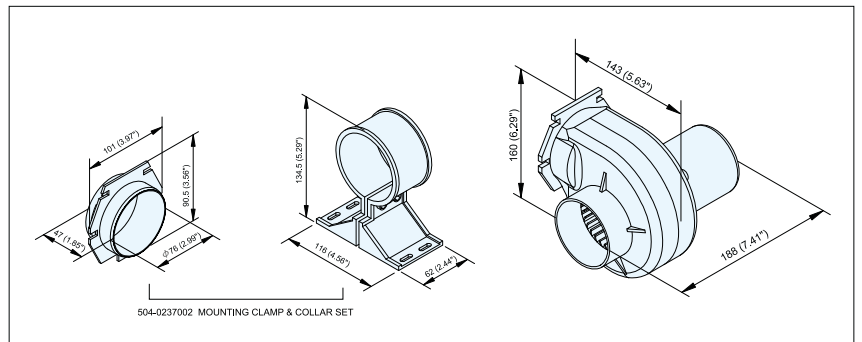
TMC-0370201

BILGE BLOWER WITH BRACKET

MOTOR :12V / 24V
 AIR :90CFM (2.53CMM)
 AMP DRAW :3A (12V) / 1.5A (24V)
 FUSE SIZE :4A (12V) / 2A (24V)
 INTAKE PIPE. :3" (76mm)

DIMENSION :188x143x160mm
 (LxWxH) (7.41"x5.63"x6.29")
 PACKING :12pcs/ctn/2.62cuf
 MIN Q'TY :12pcs
 WEIGHT :10.6kgs/ctn

ORDER NO.
 502-370201 12V
 502-370202 24V
 502-370201 12V BLOWER ONLY (90 CFM)
 502-370202 24V BLOWER ONLY (90 CFM)
 504-0237001 MOUNTING CLAMP & COLLAR SET



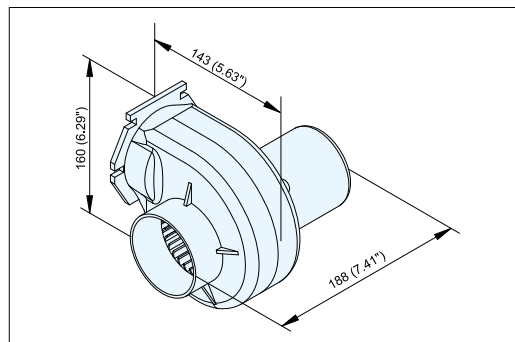
TMC-0370203

BILGE BLOWER WITH BRACKET

MOTOR :12V / 24V
 AIR :130CFM (3.67CMM)
 AMP DRAW :5A (12V) / 2.5A (24V)
 FUSE SIZE :8A (12V) / 4A (24V)
 INTAKE PIPE. :3" (76mm)

DIMENSION :188x143x160mm
 (LxWxH) (7.41"x5.63"x6.29")
 PACKING :12pcs/ctn/2.62cuf
 MIN Q'TY :12pcs
 WEIGHT :13.2kgs/ctn

ORDER NO.
 502-370204 12V
 502-370204 24V
 502-370203 12V BLOWER ONLY (130 CFM)
 502-370203 24V BLOWER ONLY (130 CFM)
 504-0237002 MOUNTING CLAMP & COLLAR SET



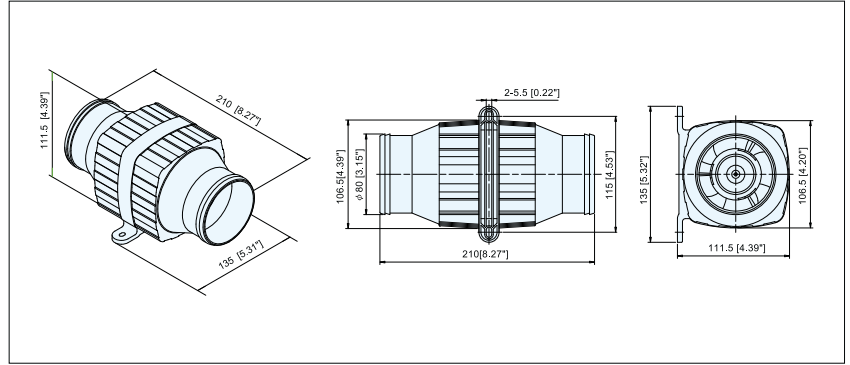
TMC-0370105

MOTOR :12V / 24V
 AIR :90CFM (2.53CMM)
 AMP DRAW :3A (12V) / 1.5A (24V)
 FUSE SIZE :4A (12V) / 2A (24V)
 INTAKE PIPE. :3" (76mm)

DIMENSION :188x143x160mm
 (LxWxH) (7.41"x5.63"x6.29")
 PACKING :12pcs/ctn/2.62cuf
 MIN Q'TY :12pcs
 WEIGHT :9.1kgs/ctn

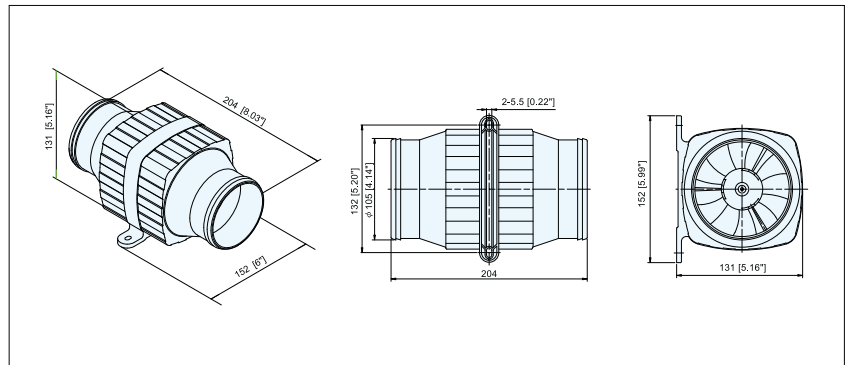
ORDER NO.
 502-370205 12V
 502-370205 24V

IN-LINE BLOWERS



TMC-03703

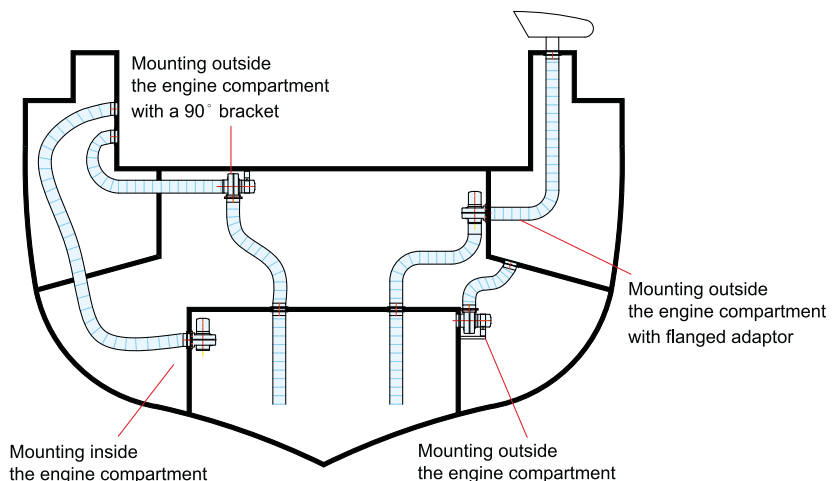
MOTOR	:12V / 24V	DIMENSION	:210x135x111.5 mm	ORDER NO.	
AIR	:123CFM (3.47CMM)	(LxWxH)	(8.27"x5.31"x4.39")	502-3701011	12V
AMP DRAW	:3A (12V) / 1.5A (24V)	PACKING	:24pcs/ctn/3.91cuft	502-3701012	24V
FUSE SIZE	:4A (12V) / 2A (24V)	WEIGHT	:15.4kgs/ctn		
INTAKE PIPE	:3" (76mm)	MIN Q'TY	:24pcs		



TMC-03705

MOTOR	:12V / 24V	DIMENSION	:204x152x131 mm	ORDER NO.	
AIR	:230CFM (6.49CMM)	(LxWxH)	(8.03"x5.98"x5.16")	502-3703011	12V
AMP DRAW	:10A (12V) / 5A (24V)	PACKING	:12pcs/ctn/2.53cuft	502-3703012	24V
FUSE SIZE	:15A (12V) / 10A (24V)	WEIGHT	:11.9kgs/ctn		
INTAKE PIPE	:4" (105mm)	MIN Q'TY	:12pcs		

VARIOUS MOUNTING POSITIONS FOR BILGE BLOWERS



FANS



TMC-03404

MARINE FAN 30PCS GRILLS PVC COATED GUARD

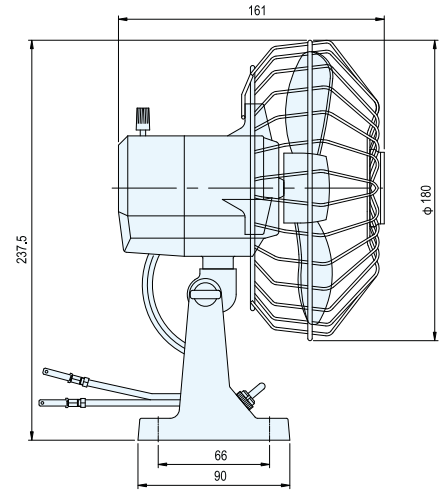
6" ACRYLONITRILE STYRENE BLADE

MOTOR :12V / 24V
 AIR VELOCITY :300 m/min
 AIR DISPLACEMENT :193CFM(5.47CMM)
 AMP DRAW :1.4A (12V) / 0.7A (24V)
 FUSE SIZE :2A (12V) / 1A (24V)
 INTAKE PIPE. :6" (152mm)
 DIMENSION :161x180x237.5 mm
 (LxWxH) (6.34"x7.09"x9.69")
 PACKING :8pcs/ctn/3.92cuft
 WEIGHT :8.7kgs/ctn
 MIN Q'TY :8pcs

ORDER NO.

502-3406081 12V

502-3406082 24V



TMC-0340103

TWO-SPEED (HIGH & LOW) MARINE FAN

30PCS GRILLS PVC COATED GUARD

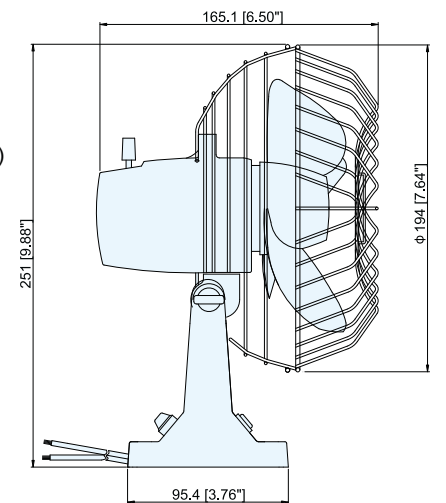
6" ACRYLONITRILE STYRENE BLADE

MOTOR :12V
 AIR VELOCITY :300 m/min (high)
 250 m/min (low)
 AIR DISPLACEMENT :193CFM (5.47CMM)(high)
 161CFM (4.56CMM)(low)
 AMP DRAW :1.6A (high) / 0.8A (low)
 FUSE SIZE :3A (12V)
 INTAKE PIPE. :6" (152mm)
 DIMENSION :165.1x194x251mm
 (LxWxH) (6.5"x7.64"x9.88")
 PACKING :12pcs/ctn/5.31cuft
 WEIGHT :16.3kgs/ctn
 MIN Q'TY :12pcs

ORDER NO.

502-3406051 12V

502-3406052 24V



VENTILATORS



TMC-72001 VENTILATOR WITH PLASTIC COVER

ORDER NO. 502-7200010, 20pcs/3.28cuft/10.5kgs

TMC-721 PLASTIC COVER ONLY

ORDER NO. 022-0700010

TMC-72002 VENTILATOR WITH S.S. COVER

ORDER NO. 502-7200020, 20pcs/3.28cuft/12.9kgs

TMC-1723 S.S. COVER ONLY

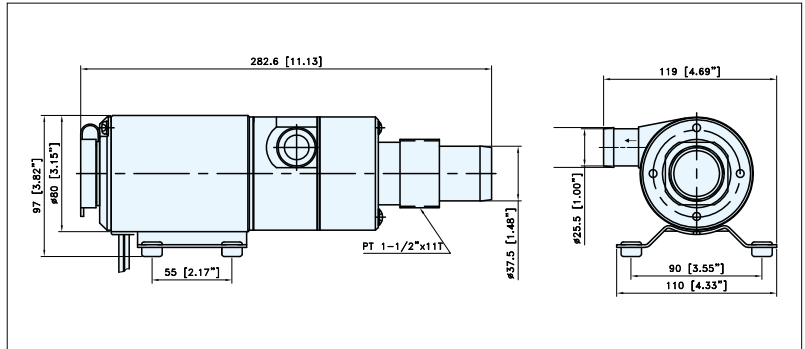
ORDER NO. 023-0700010

TMC-733 VENTILATOR, PLASTIC

195mm(L) x 150mm(W) x 128mm (H)

ORDER NO. 008-01733

MACERATOR PUMP



TMC-06205 MACERATOR PUMP
 MOTOR :12V / 24V
 CAPACITY :700GPH (2646LPH)
 AMP DRAW :12A (12V) / 6A (24V)
 FUSE SIZE :20A (12V) / 9A (24V)
 DELIVERY HEAD :16FT. (5M)

HOSE DIA. :1-1/2"(38mm)--INLET
 :1.0" (25mm)--OUTLET
 DIMENSION :282.5x119.1x97.1 mm
 (LxWxH) (11.13"x4.69"x3.83")
 PACKING :6pcs/ctn/1.44cuft/17.9kgs
 MIN Q'TY :6pcs

ORDER NO.
 503-6207011 12V
 503-6207012 24V

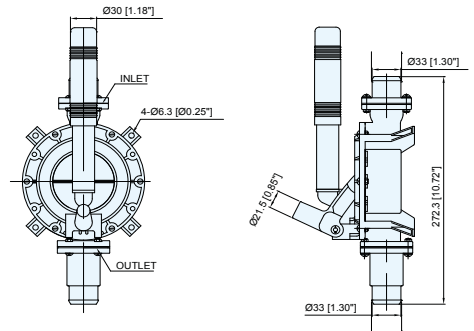
DIAPHRAGM HAND PUMP



TMC-71601
 DIAPHRAGM HAND PUMP WITH TWO POSITION HANDLE
 SELF-PRIMING
 CAPACITY :720GPH (2724LPH)
 HOSE DIA. :1-1/4" (32mm)
 DIMENSION :272.5x140x140 mm
 (LxWxH) (10.73"x5.51"x5.51")
 PACKING :12pcs/ctn/3.18cuft
 WEIGHT :12.4kgs/cnt
 MIN Q'TY :12pcs
 ORDER NO. 503-7000020

TMC-716D
 DIAPHRAGM ONLY
 ORDER NO. 721-0140040

TMC-716RK
 DIAPHRAGM REPAIR KITS
 (DIAPHRAGM+VALVE+JOINTS)
 ORDER NO. 504-0301011



VENTED LOOPS



508-0604301
 CONNECTIONS FOR 1.0" (25mm) S.S.
508-06SK638
 CONNECTIONS FOR 3/4" (19mm) PP
508-06SK639
 CONNECTIONS FOR 1-1/2" (38mm) PP
508-06SK642
 CONNECTIONS FOR 1" (25.4mm) PP

SHOWER & SINK DRAIN PUMP



TMC-0620911 GREY WASTE PUMP

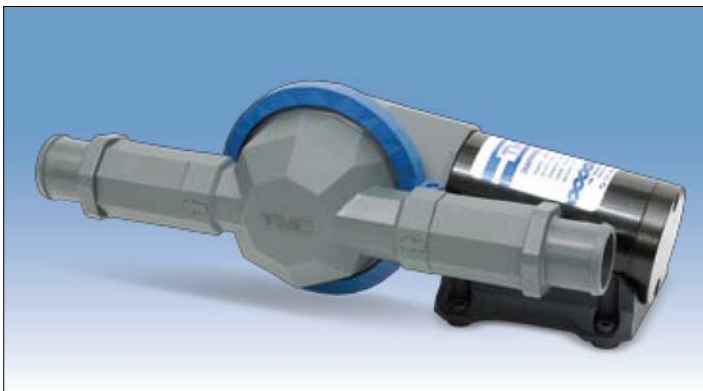
- SINGLE DIAPHRAGM PUMP SUITABLE FOR GALLEY OR SHOWER GREY WASTE PUMPING.
- SELF-PRIMING PUMP AND CAN BE RUN DRY.
- NON-CHOKE VALVE, NO FILTER REQUIRED.
- CAN PUMP A MIXTURE OF AIR AND WATER.
- ADJUSTABLE CLAMPING RING ALLOWS THE HEAD ASSEMBLY TO BE ROTATED 360° TO ACCOMMODATE PLUMBING POSITION.

MOTOR	:12V / 24V
CAPACITY	:22 LPM
AMP DRAW	:7A (12V) / 3.5A (24V)
FUSE SIZE	:10A (12V) / 5A (24V)
HOSE DIA.	:3/4"(19mm)
DELIVERY HEAD	:65FT (20M)
DIMENSION (LxWxH)	:336x168x144mm (13.24"x6.62"x5.69")
PACKING	:6pcs/ctn/2.40cuft
WEIGHT	:24kgs/ctn
MIN Q'TY	:6pcs

ORDER NO.	
503-6209011	12V
503-6209012	24V



TOILET WASTE PUMP



TMC-0620921 BLACK WASTE PUMP

- SINGLE DIAPHRAGM PUMP DESIGNED TO HANDLE UNMACERATED TOILET WASTE / BLACK WATER.
- SELF-PRIMING PUMP AND CAN BE RUN DRY.
- NON-CHOKE VALVE, NO FILTER REQUIRED.
- CAN PUMP A MIXTURE OF AIR AND WATER.
- IN-LINED INLET/OUTLET VALVES TO ALLOW THE FREE FLOW OF DEBRIS.
- DOUBLE OUTLET VALVES TO ENSURE CONTINUOUS FLOW.
- ADJUSTABLE CLAMPING RING ALLOWS THE HEAD ASSEMBLY TO BE ROTATED 360° TO ACCOMMODATE PLUMBING POSITION.

MOTOR	:12V / 24V
CAPACITY	:20 LPM
AMP DRAW	:7A (12V) / 3.5A (24V)
FUSE SIZE	:10A (12V) / 5A (24V)
HOSE DIA.	:1-1/2"(38mm)
DELIVERY HEAD	:55FT(17M)
DIMENSION (LxWxH)	:369x168x144mm (14.54"x6.62"x5.69")
PACKING	:6pcs/ctn/2.40cuft
WEIGHT	:24kgs/ctn
MIN Q'TY	:6pcs

ORDER NO.	
503-6209021	12V
503-6209022	24V



ACCESSORIES



TMC-00070

ADAPTER - M39 THREAD, NYLON
FOR TMC-0620921 2pcs/pair
ORDER NO. 504-0362002

TMC-00071

ADAPTER - 1-1/2" (38mm) HOSE BARB, NYLON
FOR TMC-0620921 2pcs/pair
ORDER NO. 504-0362003

TMC-00072

ADAPTER - 3/4" (19mm) HOSE BARB, NYLON
FOR TMC-0620911 2pcs/pair
ORDER NO. 504-0362004

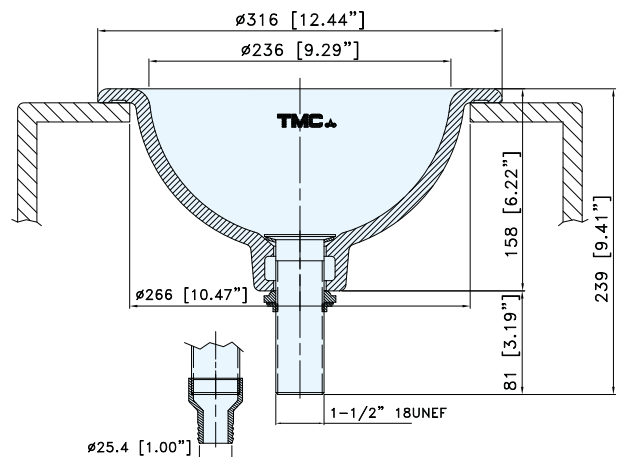
TMC-00073

VAVLE - NBR70" 2pcs/pair
FOR TMC-0620911 & TMC-0620921
ORDER NO. 504-0362005

TMC-00085

DIAPHRAGM
ORDER NO.504-0362006

CERAMIC SINK WITH NANO TREATMENT



TMC-9910051

- CERAMIC WITH NANOMETER (NANO) TREATMENT, ϕ 9" (236mm)
- NANO CERAMIC GLAZE CONTAINS SILVER ION TO SERVE AS ANTI-DIRT & ANTI-BACTERIA PURPOSE (ABBR: "ADB")
- SURFACE FEATURE: DELICATE SMOOTH, HIGH HARDNESS, FRICTION DURABLE AND CHEMICAL RESISTANT
- CAN BE CLEANED WITH VERY LIMITED TIME AND WATER
- EQUIPPED WITH A PUSH BUTTON SINK SEAL
- COME WITH A METAL BARBED PIPE ADAPTOR, NECK 1" (25.4mm) O.D.

DIMENSION : ϕ 316x239mm
(ϕ DxH) (ϕ 12.44"x9.41")
PACKING : 2pcs/ctn/3.16cuft/11.2kgs
WEIGHT : 4.9kgs/ctn
MIN Q'TY : 1pcs

ORDER NO.
502-9910051

MANUAL TOILETS



TMC-99901

MANUAL MARINE TOILET WITH SMALL BOWL & STANDARD PLASTIC SEAT & COVER

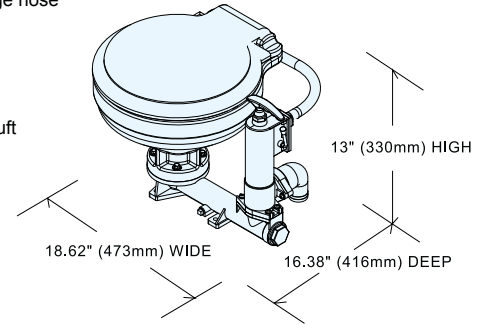
FITTING :connections for
 3/4" (19mm) ID inlet hose
 1-1/2" (38mm) ID discharge hose

PACKING :1pcs/ctn/3.71cuft
 12pcs/wood pallet

WEIGHT :13.5kgs/pc (29.7lbs)

MIN Q'TY :12pcs/wood pallet/50.15cuft

ORDER NO.
 502-9901010



TMC-99903

MANUAL MARINE TOILET WITH LARGE BOWL & DELUXE PLASTIC SEAT & COVER

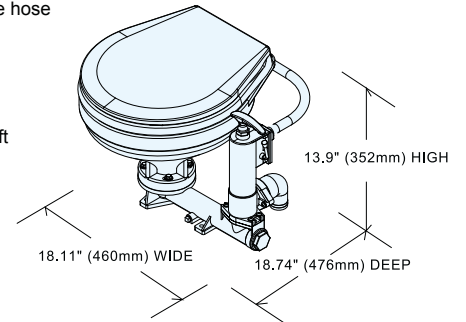
FITTING :connections for
 3/4" (19mm) ID inlet hose
 1-1/2" (38mm) ID discharge hose

PACKING :1pcs/ctn/4.70cuft
 12pcs/wood pallet

WEIGHT :16kgs/pc (34.32lbs)

MIN Q'TY :12pcs/wood pallet/64.52cuft

ORDER NO.
 502-9903010



TMC-99905

MANUAL MARINE TOILET WITH SMALL BOWL & STANDARD PLASTIC SEAT & COVER
 WITH NEW ERGONOMIC HAND PUMP DESIGN

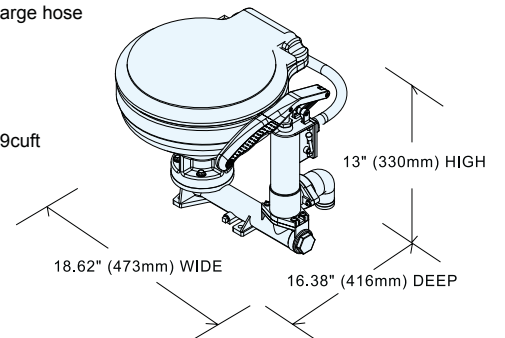
FITTING :connections for
 3/4" (19mm) ID inlet hose
 1-1/2" (38mm) ID discharge hose

PACKING :1pcs/ctn/4.70cuft
 12pcs/wood pallet

WEIGHT :14.2kgs/pc (31.24lbs)

MIN Q'TY :12pcs/wood pallet/64.09cuft

ORDER NO.
 502-9905010



MANUAL TOILETS



TMC-99913

MANUAL MARINE TOILET WITH LARGE BOWL & DELUXE PLASTIC SEAT & COVER WITH NEW ERGONOMIC HAND PUMP DESIGN

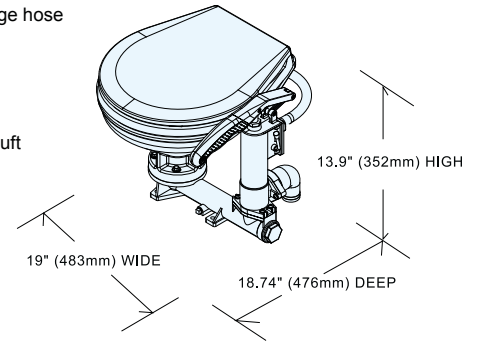
FITTING :connections for
3/4" (19mm) ID inlet hose
1-1/2" (38mm) ID discharge hose

PACKING :1pcs/ctn/4.70cuft
12pcs/wood pallet

WEIGHT :16kgs/pc (36.3lbs)

MIN Q'TY :12pcs/wood pallet/64.52cuft

ORDER NO.
502-9903020



TMC-9990103

MANUAL MARINE TOILET WITH SMALL BOWL & STANDARD PLASTIC SEAT & COVER WITH NEW ANGLED HAND PUMP DESIGN

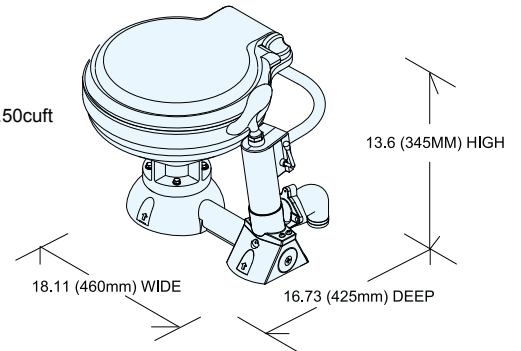
FITTING :connections for
3/4" (19mm) ID inlet hose
1-1/2" (38mm) ID discharge hose

PACKING :1pcs/ctn/4.26cuft
12pcs/wood pallet

WEIGHT :15.2kgs/pc (33.44lbs)

MIN Q'TY :12pcs/wood pallet/50.50cuft

ORDER NO.
502-9901030



TMC-9990305

MANUAL MARINE TOILET W/ LARGE BOWL & DELUXE SEAT & COVER W/ ANGLED HAND PUMP DESIGN

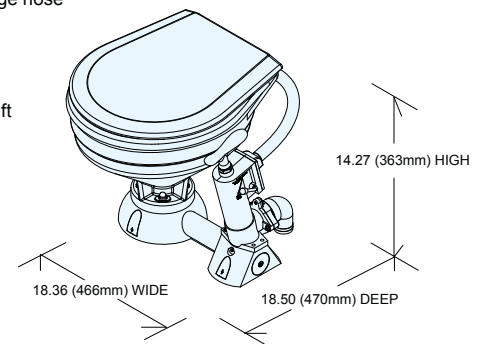
FITTING :3/4" (19mm) ID inlet hose
1-1/2" (38mm) ID discharge hose

PACKING :1pc/ctn/5.079cuft
12pc/wood pallet

WEIGHT :17.9kgs/pc (39.46lbs)

MIN Q'TY :12pc/wood pallet/65.37cuft

ORDER NO.
502-9903050



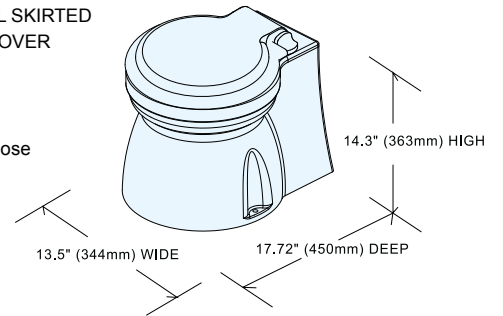
ELECTRIC TOILETS



TMC-99909

ELECTRIC MARINE TOILET WITH SMALL SKIRTED BOWL & STANDARD PLASTIC SEAT & COVER SWITCH BOX INCLUDED

- FITTING** :connections for
 3/4" (19mm) ID inlet hose
 1" (25mm) ID discharge hose
- MOTOR** :12V / 24V
- AMP DRAW** :18A (12V) / 9A (24V)
- FUSE SIZE** :30A (12V) / 15A (24V)
- PACKING** :1pcs/ctn/4.44cuft
 :12pcs/wood pallet
- WEIGHT** :23.5kgs/pc (51.7lbs)
- MIN Q'TY** :12pcs/wood pallet/56.50cuft
- ORDER NO. (c/w SWITCH BOX)**
 502-9909011 12V
 502-9909012 24V



- ORDER NO. (c/w PANEL SWITCH)**
 502-9909041 12V
 502-9909042 24V



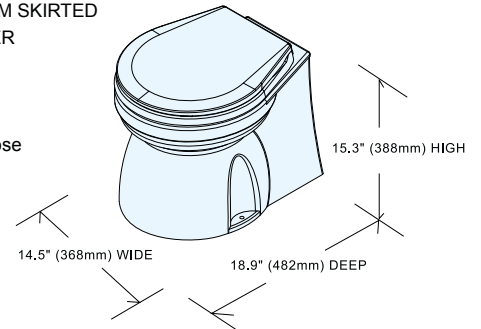
PANEL SWITCH



TMC-99910

ELECTRIC MARINE TOILET WITH MEDIUM SKIRTED BOWL & DELUXE PLASTIC SEAT & COVER SWITCH BOX INCLUDED

- FITTING** :connections for
 3/4" (19mm) ID inlet hose
 1" (25mm) ID discharge hose
- MOTOR** :12V / 24V
- AMP DRAW** :18A (12V) / 9A (24V)
- FUSE SIZE** :30A (12V) / 15A (24V)
- PACKING** :1pcs/ctn/4.95cuft
 :12pcs/wood pallet
- WEIGHT** :27.5kgs/pc (60.5lbs)
- MIN Q'TY** :12pcs/wood pallet/74.78cuft
- ORDER NO. (c/w SWITCH BOX)**
 502-9910011 12V
 502-9910012 24V



- ORDER NO. (c/w PANEL SWITCH)**
 502-9910041 12V
 502-9910042 24V



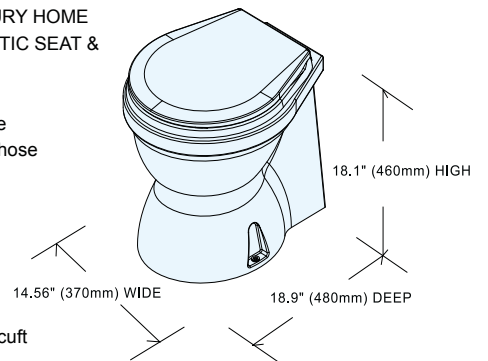
PANEL SWITCH



TMC-99907

ELECTRIC MARINE TOILET WITH LUXURY HOME TYPE SKIRTED BOWL & DELUXE PLASTIC SEAT & COVER SWITCH BOX INCLUDED

- FITTING** :connections for
 3/4" (19mm) ID inlet hose
 1" (25mm) ID discharge hose
- MOTOR** :12V / 24V
- AMP DRAW** :18A (12V) / 9A (24V)
- FUSE SIZE** :30A (12V) / 15A (24V)
- PACKING** :1pcs/ctn/5.75cuft
 :12pcs/wood pallet
- WEIGHT** :28.1kgs/pc (61.82lbs)
- MIN Q'TY** :12pcs/wood pallet/81.19cuft
- ORDER NO. (c/w SWITCH BOX)**
 502-9907011 12V
 502-9907012 24V



- ORDER NO. (c/w PANEL SWITCH)**
 502-9907041 12V
 502-9907042 24V



PANEL SWITCH

ELECTRIC TOILETS



TMC-99902

ELECTRIC MARINE TOILET WITH SMALL BOWL & STANDARD PLASTIC SEAT & COVER
 SWITCH BOX INCLUDED

FITTING :connections for
 1" (25mm) ID inlet hose
 1" (25mm) ID discharge hose

MOTOR :12V / 24V

AMP DRAW :18A (12V) / 9A (24V)

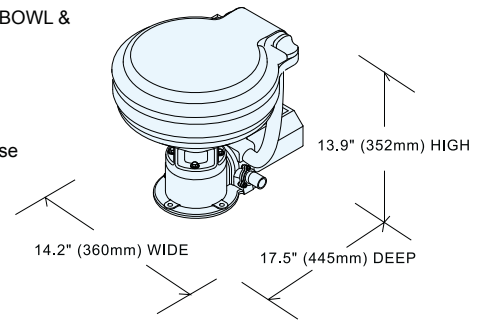
FUSE SIZE :30A (12V) / 15A (24V)

PACKING :1pcs/ctn/3.15cuft
 12pcs/wood pallet

WEIGHT :16.4kgs/pc (35.2lbs)

MIN Q'TY :12pcs/wood pallet/42.62cuft

ORDER NO. (c/w SWITCH BOX)
 502-9902011 12V
 502-9902012 24V



ORDER NO.(c/w PANEL SWITCH)
 502-9902041 12V
 502-9902042 24V



TMC-99904

ELECTRIC MARINE TOILET WITH LARGE BOWL & DELUXE PLASTIC SEAT & COVER
 SWITCH BOX INCLUDED

FITTING :connections for
 1" (25mm) ID inlet hose
 1" (25mm) ID discharge hose

MOTOR :12V / 24V

AMP DRAW :18A (12V) / 9A (24V)

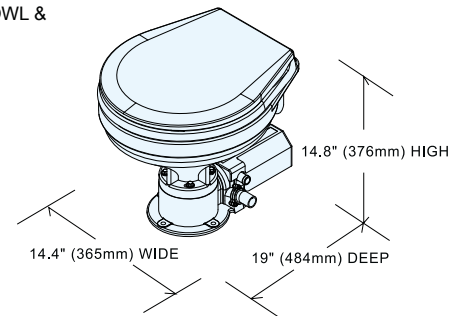
FUSE SIZE :30A (12V) / 15A (24V)

PACKING :1pcs/ctn/5.05cuft
 12pcs/wood pallet

WEIGHT (C/W) :20.9kgs/pc (36.3lbs)

MIN Q'TY :12pcs/wood pallet/68.37cuft

ORDER NO. (c/w SWITCH BOX)
 502-9904011 12V
 502-9904012 24V



ORDER NO. (c/w PANEL SWITCH)
 502-9904041 12V
 502-9904042 24V



ELECTRIC TOILET FLUSH CONTROL



TMC-0240401

ELECTRIC TOILET FLUSH CONTROL

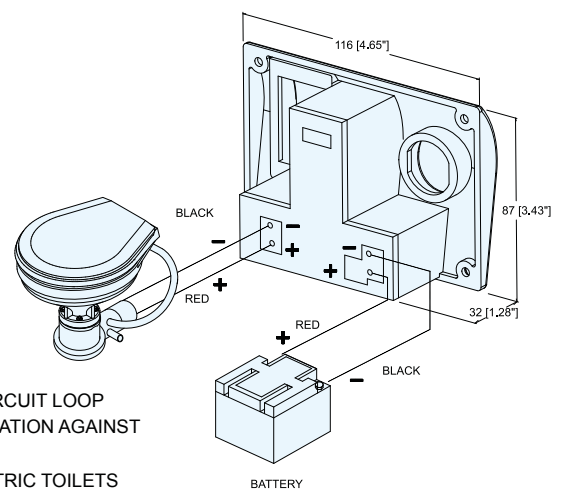
- COMES WITH BOXED FUSE PACKAGE
- ONE TOUCH CONTROL PANEL
- BUILT-IN MICRO IC CONTROL SYSTEM ALLOWS **TWO FLUSH OPTIONS:**
 HALF FLUSH - LASTS FOR 5 SECONDS AND DELIVERS 2 LITERS OF WATER.
 FULL FLUSH - LASTS FOR 10 SECONDS AND DELIVERS 4 LITERS OF WATER.
- EQUIPPED WITH SEALS FOR WATER - SPLASH PROOF

- BUILT-IN MAX. 40 AMP. RELAY CIRCUIT LOOP DESIGN TO PROTECT THE OPERATION AGAINST HIGH CURRENT.
- WORKS GREAT WITH TMC ELECTRIC TOILETS

PACKING: 36pcs/ctn/2.6cuft/17.8kgs

MIN Q'TY: 36pcs

ORDER NO.
 502-2404011 12V
 502-2404012 24V



ELECTRIC TOILETS

NEW
PRODUCT

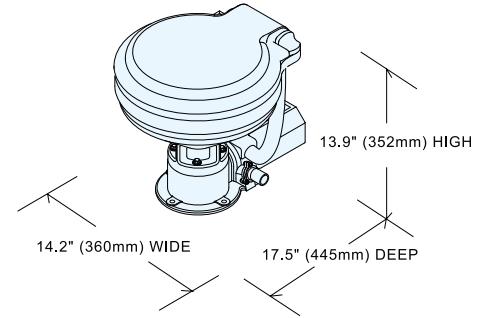


TMC-29930

ELECTRIC MARINE TOILET
 W/ COMPACT SLOW-CLOSE SEAT & COVER
 W/ SMALL CERAMIC BOWL (SIZE 99902)
 W/ THREADED PIPE CONNECTION
 SWITCH BOX INCLUDED

FITTING :1"(25mm) ID inlet hose
 1"(25mm) ID discharge hose
 MOTOR :12V / 24V
 AMP DRAW :18A(12V) / 9A(24V)
 FUSE SIZE :30A(12V) / 15A(24V)
 PACKING :1pc/ctn/3.3cuft
 WEIGHT :16kgs/pc(35.2lbs)
 MIN Q'TY :12pcs/pallet/42.62cuft

ORDER NO.
 502-993001100 12V
 502-993001200 24V



ORDER NO.
 502-993002100 12V
 502-993002200 24V



PANEL SWITCH

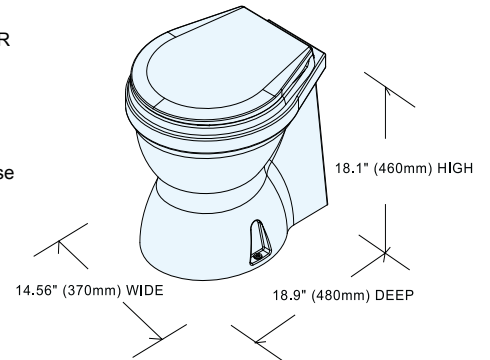


TMC-29931

ELECTRIC MARINE TOILET
 W/ DELUXE SLOW-CLOSE SEAT & COVER
 W/ LARGE CERAMIC BOWL (SIZE 99907)

SWITCH BOX INCLUDED
 FITTING :3/4"(19mm) ID inlet hose
 1"(25mm) ID discharge hose
 MOTOR :12V / 24V
 AMP DRAW :18A(12V) / 9A(24V)
 FUSE SIZE :30A(12V) / 15A(24V)
 PACKING :1pc/ctn/5.75cuft
 WEIGHT :28.1kgs/pc(61.82lbs)
 MIN Q'TY :12pcs/pallet/81.19cuft

ORDER NO.
 502-993101100 12V
 502-993101200 24V



ORDER NO.
 502-993102100 12V
 502-993102200 24V



PANEL SWITCH



TMC-29813

- ELECTRIC MARINE TOILET W/ QUIET OPERATION
- W/ MEDIUM SKIRTED CERAMIC BOWL (SIZE 99910)
- W/ DELUXE STANDARD SEAT & COVER
- INTAKE RINSE PUMP & STRAINER INCLUDED
 CAN BE REMOTE MOUNTED TO BRING RAW SEA, RIVER OR LAKE WATER FOR QUIET FLUSHING
- 4-WAY FLUSH CONTROL PANEL INCLUDED
 ECO FLUSH - FULL FLUSH - WATER ONLY - EMPTY ONLY

MOTOR :12V / 24V
 FITTING :3/4"(19mm) id inlet hose
 1"(25mm) id discharge hose
 AMP DRAW :9A(12V) / 4.5A(24V)
 FUSE SIZE :15A(12V) / 8A(24V)
 PACKING :1pcs/ctn/6.30cuft
 WEIGHT :30.3kgs/ctn (66.81lbs)
 MIN Q'TY :12pcs/pallet/90.98cuft

ORDER NO.
 502-981302100 12V
 502-981302200 24V

MARINE TOILET SERVICE KITS

**NEW
PRODUCT**



TMC-429952



TMC-429953

TMC-429952

TOILET SEAT & COVER WITH SLOW-CLOSE FEATURE, COMPACT SIZE
FIT WITH 99902, 99909 SERIES

ORDER NO.
504-0299520

TMC-429953

TOILET SEAT & COVER WITH SLOW-CLOSE FEATURE, DELUXE SIZE
FIT WITH 99904, 99907, 99910 SERIES

ORDER NO.
504-0299530



TMC-00029



TMC-00041

TMC-00029

STANDARD PLASTIC SEAT AND COVER FOR MARINE TOILET
MODEL# 99901, 99902, 99905 & 99909
PACKING: 6pcs/ctn/2.46cuf/11.3kgs

ORDER NO. 504-0299029

TMC-00041

DELUXE TYPE, PLASTIC SEAT AND COVER FOR MARINE TOILET
MODEL# 99903, 99904, 99907, 99910 & 99913

PACKING: 6pcs/ctn/2.46cuf/16kgs
ORDER NO. 504-0299041



TMC-429954



TMC-429954

SLOW-CLOSED TOILET SERIES
CONTAINS A PUMP UNIT WITH
THREADED INLET PORT AND
DISCHARGE PORT.

THIS PIPE CONNECTION KIT SERVES
FOR THREADED INLET PORT
ORDER NO. 504-0299540

EXTRA PIPE CONNECTION KIT FOR
THREADED DISCHARGE PORT

MARINE TOILET SERVICE KITS



TMC-0002801

PUMP UNIT FOR MANUAL TOILET
 MODEL# 99901, 99903
 PACKING: 12pcs/ctn/2.77cuft/12.8kgs
 ORDER NO. 504-0299281



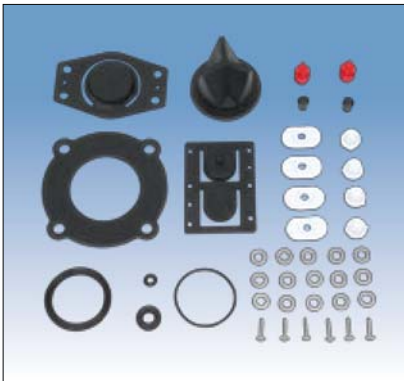
TMC-0002802

NEW ERGONOMIC PUMP UNIT FOR
 MANUAL TOILET MODEL# 99905, 99913
 PACKING: 12pcs/ctn/4.83cuft/17.4kgs
 ORDER NO. 504-0299282



TMC-0002803

NEW ANGLED PUMP UNIT FOR
 MANUAL TOILET MODEL# 9990103, 9990305
 PACKING: 12pcs/ctn/4.01cuft/14kgs
 ORDER NO. 504-0299283



TMC-00032

REPAIR KITS FOR MANUAL MARINE TOILET
 MODEL# 99901, 99903, 99905 & 99913
 INCLUDING MT16, 17, 24,30, 32, 33, 38, 40,
 42, 43 & 44
 ORDER NO. 504-0299032



TMC-00031

BASE UNIT FOR MANUAL TOILET
 MODEL # 99901, 99903, 99905, 99913
 INCLUDE PARTS MT39, 40, 41, 42 & 43
 PACKING: 15pcs/ctn/2.48cuft/10.2kgs
 ORDER NO. 504-0299031



TMC-0003102

BASE UNIT FOR MANUAL TOILET
 MODEL # 9990103, 9990305
 INCLUDE PARTS MT39, 40, 41
 PACKING: 12pcs/ctn/2.67cuft/13kgs
 ORDER NO. 504-0299033



MARINE TOILET SERVICE KITS



TMC-00036

PUMP UNIT FOR ALL TMC ELECTRIL TOILET

MOTOR :12V / 24V
 AMP DRAW :18A (12V) / 9A (24V)
 FUSE SIZE :30A (12V) / 15A (24V)
 HOSE DIA. :1" (25.4mm)
 PACKING :8pcs/ctn/1.44cuft
 WEIGHT :23.3kgs/ctn
 MIN Q'TY :8pcs

ORDER NO.
 504-0299036 12V
 504-0299037 24V



TMC-00040

CONVERSION KITS FOR ELECTRIC TOILET

MODEL # 99902 & 99904
 WITHOUT CERAMIC BODY, SEAT AND COVER (W/O#1-10)

PACKING: 6pcs/ctn/2.43cuft/25.6kgs

ORDER NO.
 504-0299401 12V
 504-0299402 24V



TMC-00046

CONVERSION KITS FOR ELECTRIC TOILET

MODEL # 99907, 99909, 99910
 WITHOUT CERAMIC BODY, SEAT AND COVER (W/O#1-10)

PACKING: 6pcs/ctn/2.43cuft/24.5kgs

ORDER NO.
 504-0299461 12V
 504-0299462 24V



TMC-00038



TMC-00045

TMC-00038

BASE UNIT FOR ELECTRIC TOILET

MODEL # 99902 & 99904
 INCLUDE PARTS ET22, 23, 37, 39 & 42

ORDER NO.
 504-0299038

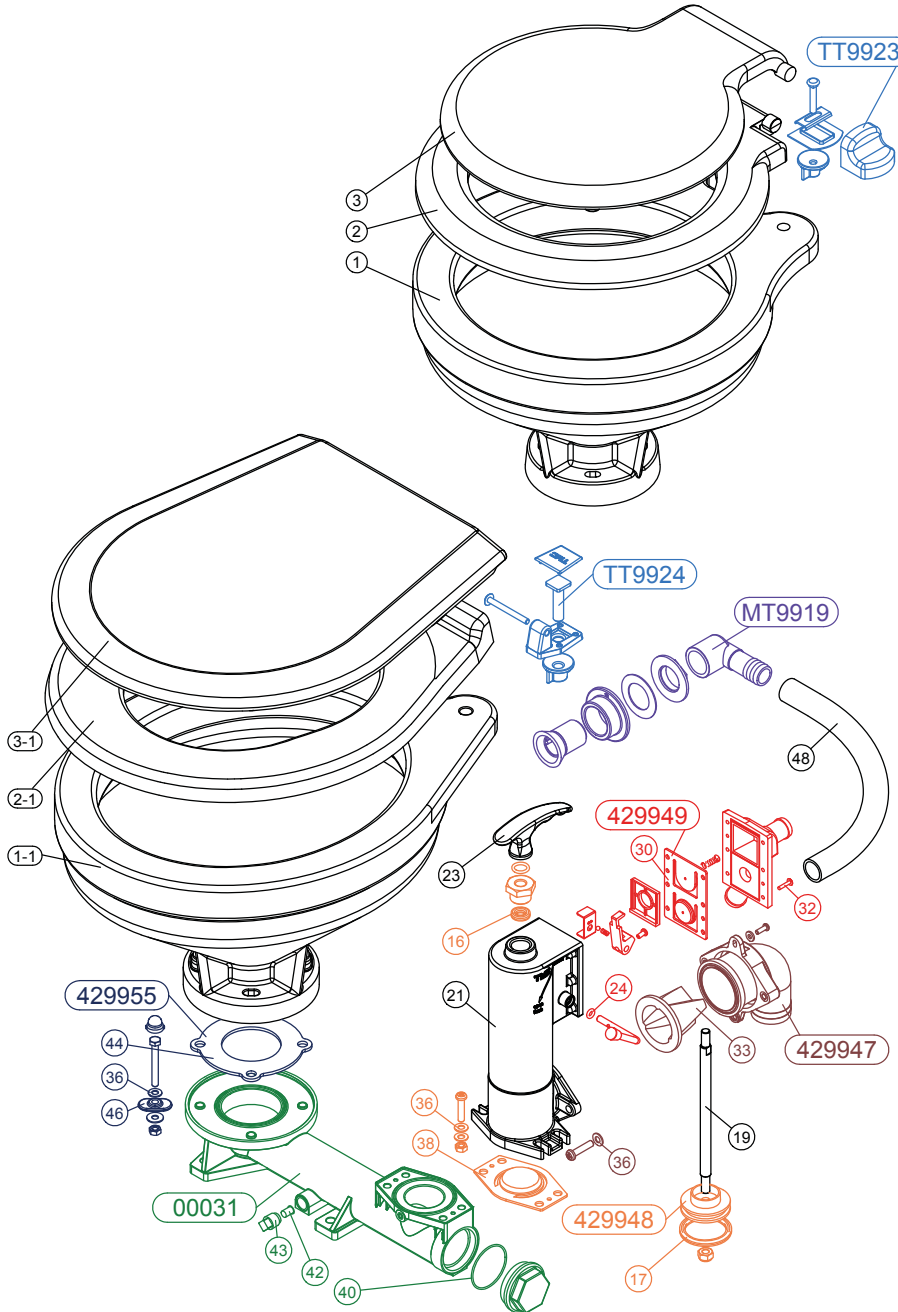
TMC-00045

BASE UNIT FOR ELECTRIC TOILET

MODEL # 99907, 99909, 99910
 INCLUDE PARTS ET22-1, 23, 37, 39, 42 & 64

ORDER NO.
 504-0299045

Service Parts For TMC Manual Toilet Model 99901, 99903



KEY	DESCRIPTION
1	Closestool Body(99901)
2	Seat Cushion(99901)
3	Closestool Cover(99901)
1-1	Closestool Body(99903)
2-1	Seat Cushion(99903)
3-1	Closestool Cover(99903)
16	Seal
17	Seal
19	Shaft
21	Pump Housing
23	Grip

KEY	DESCRIPTION
24	O Ring
30	Inlet Valve
32	Valve Cover Tapping Screw
33	Bowl Valve
36	Flat Washer
38	Valve Flap
40	O Ring
42	Plug Packing
43	Drain Plug
44	Base Packing
46	Plastic Washer

TMC-00029

STANDARD SEAT AND COVER
INCLUDE PARTS TT9923,2,3
ORDER NO. 504-0299029

TMC-00041

DELUXE PLASTIC SEAT AND COVER
INCLUDE PARTS TT9924,2-1,3-1
ORDER NO. 504-0299041

TMC-TT9923

HINGE SET FOR STANDARD SEAT
ORDER NO. 504-0299023

TMC-TT9924

HINGE SET FOR DELUXE SEAT
ORDER NO. 504-0299024

TMC-0002801

PUMP UNIT, STANDARD
FOR MANUAL TOILET
INCLUDE PARTS
429947, 429948, 429949, 19, 21 & 23
ORDER NO. 504-0299021

TMC-429949

PUMP INLET KITS
FOR MANUAL TOILET
ORDER NO. 504-0299490

TMC-429947

PUMP OUTLET KITS
FOR MANUAL TOILET
ORDER NO. 504-0299470

TMC-429948

PUMP SEAL & VALVE KITS
FOR MANUAL TOILET
ORDER NO. 504-0299480

TMC-MT9919

PIPE JOINTS FOR
MANUAL TOILET
ORDER NO. 504-0299019

TMC-00031

BASE UNIT FOR MANUAL TOILET
ORDER NO. 504-0299031

TMC-429955

BASE GASKET KITS
FOR ELECTRIC TOILET
ORDER NO. 504-0299550

TMC-00032

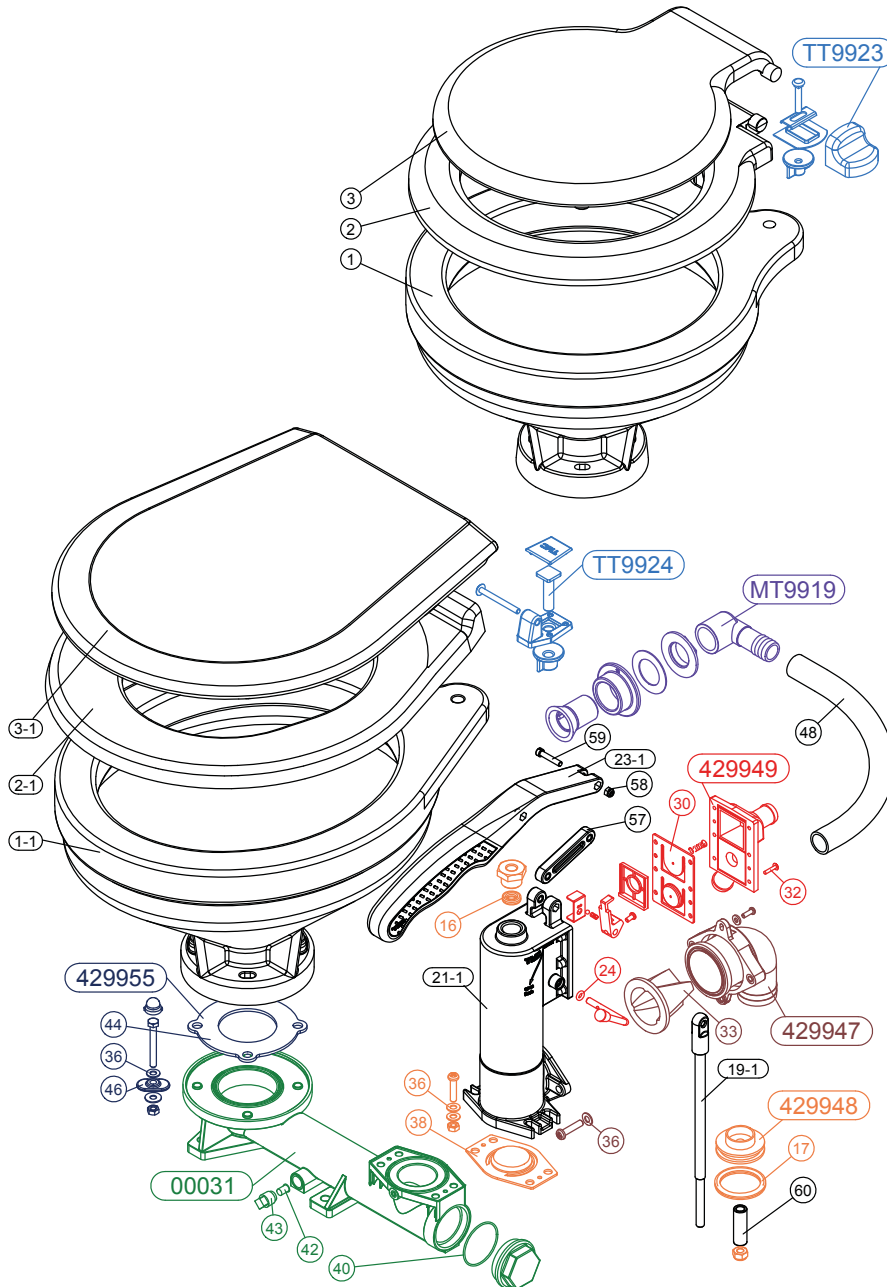
REPAIR KITS FOR MANUAL TOILET
INCLUDE PARTS MT16, 17, 24, 30,
32, 33, 36, 38, 40, 42, 43, 44 & 46
ORDER NO. 504-0299032

TMC-0003501

CONVERSION KITS FOR MANUAL
TOILET WITH STANDARD PUMP
W/O PARTS NO. 1-8
ORDER NO. 504-0299351

- TMC TOILET SERVICE PARTS ARE SOLD BY PACKAGE.
- INDIVIDUAL PART LIST IS FOR REFERENCE ONLY.

Service Parts For TMC Manual Toilet Model 99905, 99913



KEY	DESCRIPTION
1	Closestool Body(99901)
2	Seat Cushion(99901)
3	Closestool Cover(99901)
1-1	Closestool Body(99903)
2-1	Seat Cushion(99903)
3-1	Closestool Cover(99903)
16	Seal
17	Seal
19-1	Shaft
21-1	Pump Housing
23-1	Grip
24	O Ring
30	Inlet Valve

KEY	DESCRIPTION
32	Valve Cover Tapping Screw
33	Bowl Valve
36	Flat Washer
38	Valve Flap
40	O Ring
42	Plug Packing
43	Drain Plug
44	Base Packing
46	Plastic Washer
57	Rod Link
58	Nut Lock
59	Bolt Set
60	Cooper Sleeve

TMC-00029

STANDARD SEAT AND COVER
INCLUDE PARTS TT9923,2,3
ORDER NO. 504-0299029

TMC-00041

DELUXE PLASTIC SEAT AND COVER
INCLUDE PARTS TT9924,2-1,3-1
ORDER NO. 504-0299041

TMC-TT9923

HINGE SET FOR STANDARD SEAT
ORDER NO. 504-0299023

TMC-TT9924

HINGE SET FOR DELUXE SEAT
ORDER NO. 504-0299024

TMC-0002802

PUMP UNIT, ERGONOMIC
FOR MANUAL TOILET
INCLUDE PARTS
429947, 429948, 429949, 19-1, 21-1,
23-1, 57, 58, 59 & 60
ORDER NO. 504-0299282

TMC-429949

PUMP INLET KITS
FOR MANUAL TOILET
ORDER NO. 504-0299490

TMC-429947

PUMP OUTLET KITS
FOR MANUAL TOILET
ORDER NO. 504-0299470

TMC-429948

PUMP SEAL & VALVE KITS
FOR MANUAL TOILET
ORDER NO. 504-0299480

TMC-MT9919

PIPE JOINTS FOR
MANUAL TOILET
ORDER NO. 504-0299019

TMC-00031

BASE UNIT FOR MANUAL TOILET
ORDER NO. 504-0299031

TMC-429955

BASE GASKET KITS
FOR MANUAL TOILET
ORDER NO. 504-0299550

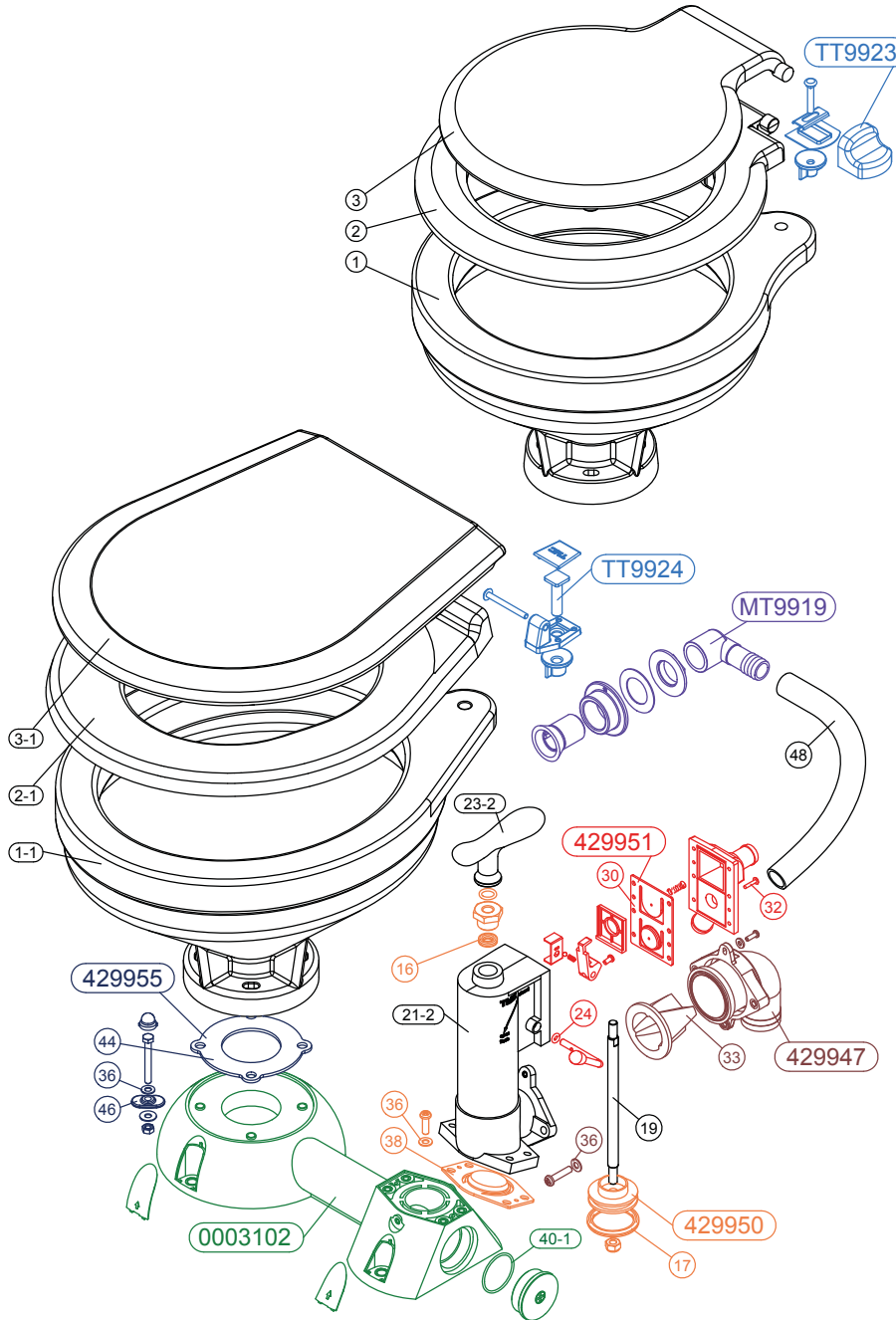
TMC-00032

REPAIR KITS FOR MANUAL TOILET
INCLUDE PARTS MT16, 17, 24, 30,
32, 33, 36, 38, 40, 42, 43, 44 & 46
ORDER NO. 504-0299032

TMC-0003502

CONVERSION KITS FOR MANUAL
TOILET WITH ERGONOMIC PUMP
W/O PARTS NO. 1-8
ORDER NO. 504-0299352

Service Parts For TMC Manual Toilet Model 9990103, 9990305



KEY	DESCRIPTION
1	Closestool Body(99901)
2	Seat Cushion(99901)
3	Closestool Cover(99901)
1-1	Closestool Body(99903)
2-1	Seat Cushion(99903)
3-1	Closestool Cover(99903)
16	Seal
17	Seal
19	Shaft
21-2	Pump Housing

KEY	DESCRIPTION
23-2	Grip
24	O Ring
30	Inlet Valve
32	Valve Cover Tapping Screw
33	Bowl Valve
36	Flat Washer
38	Valve Flap
40-1	O Ring
44	Base Packing
46	Plastic Washer

TMC-00029

STANDARD SEAT AND COVER
INCLUDE PARTS TT9923,2,3
ORDER NO. 504-0299029

TMC-00041

DELUXE PLASTIC SEAT AND COVER
INCLUDE PARTS TT9924,2-1,3-1
ORDER NO. 504-0299041

TMC-TT9923

HINGE SET FOR STANDARD SEAT
ORDER NO. 504-0299023

TMC-TT9924

HINGE SET FOR DELUXE SEAT
ORDER NO. 504-0299024

TMC-0002803

PUMP UNIT, ANGLED
FOR MANUAL TOILET
INCLUDE PARTS
429947, 429950, 429951, 19, 21-2
& 23-2
ORDER NO. 504-0299023

TMC-429951

PUMP INLET KITS
FOR MANUAL TOILET
ORDER NO. 504-0299510

TMC-429947

PUMP OUTLET KITS FOR
MANUAL TOILET
ORDER NO. 504-0299470

TMC-429950

PUMP SEAL & VALVE KITS
FOR MANUAL TOILET
ORDER NO. 504-0299500

TMC-MT9919

PIPE JOINTS FOR
MANUAL TOILET
ORDER NO. 504-0299019

TMC-0003102

BASE UNIT FOR MANUAL TOILET
ORDER NO. 504-0299033

TMC-429955

BASE GASKET KITS
FOR MANUAL TOILET
ORDER NO. 504-0299550

TMC-00032

REPAIR KITS FOR MANUAL TOILET
INCLUDE PARTS MT16, 17, 24, 30,
32, 33, 36, 38, 40, 42, 43, 44 & 46
ELECTRIC TOILET
ORDER NO. 504-0299032

TMC-0003503

CONVERSION KITS FOR MANUAL
TOILET WITH ANGLED PUMP
W/O PARTS NO. 1-8
ORDER NO. 504-0299353

Service Parts For TMC Electric Toilet Model 99902, 99904

The diagram shows an exploded view of the electric toilet assembly. Key components are labeled with part numbers: 1 (Closestool Body), 2 (Seat Cushion), 3 (Closestool Cover), 1-1 (Closestool Body), 2-1 (Seat Cushion), 3-1 (Closestool Cover), 16 (Wearplate), 18 (Centrifugal Impeller), 19 (Macerator Housing), 20 (Razor Blade), 22 (Base), 25 (Adaptor), 25-1 (Adaptor), 27 (Body), 29 (Flexible Impeller), 31 (Motor), 35 (Set Screw), 39 (Hexagon Nut), 47 (Hose), 47-1 (Hose), 55 (Cover), 59 (Clamp), ET3822 (Base Port Kit), ET3825 (Base Port Kit), ET3627 (Pump Gasket Kit), ET3628 (Pump Body Kit), ET3634 (Pump Impeller Kit), ET3626 (Pump Razor Kit), ET9920 (Pipe Joint), 99902S (Base Unit), and 0240401 (Deluxe Panel Switch).

KEY	DESCRIPTION	KEY	DESCRIPTION
1	Closestool Body(99902)	25	Adaptor
2	Seat Cushion(99902)	25-1	Adaptor
3	Closestool Cover(99902)	27	Body
1-1	Closestool Body(99904)	29	Flexible Impeller
2-1	Seat Cushion(99904)	31	Motor
3-1	Closestool Cover(99904)	35	Set Screw
16	Wearplate	39	Hexagon Nut
18	Centrifugal Impeller	47	Hose(99902)
19	Macerator Housing	47-1	Hose(99904)
20	Razor Blade	55	Cover
22	Base	59	Clamp

TMC-00029
STANDARD SEAT AND COVER
INCLUDE PARTS TT9923,2,3
ORDER NO. 504-0299029

TMC-00041
DELUXE PLASTIC SEAT AND COVER
INCLUDE PARTS TT9924,2-1,3-1
ORDER NO. 504-0299041

TMC-TT9923
HINGE SET FOR STANDARD SEAT
ORDER NO. 504-0299023

TMC-TT9924
HINGE SET FOR DELUXE SEAT
ORDER NO. 504-0299024

TMC-00036
PUMP UNIT FOR ELECTRIC TOILET
INCLUDE PARTS
ET3627,19,39,20,18,35,16,29,27,31
ORDER NO.
504-0299036 12V
504-0299037 24V

TMC-ET3626
PUMP RAZOR KTIS
FOR ELECTRIC TOILET
ORDER NO. 504-0299026

TMC-ET3627
PUMP GASKET KITS
FOR ELECTRIC TOILET
ORDER NO. 504-0299027

TMC-ET3628
PUMP BODY KITS
FOR ELECTRIC TOILET
INCLUDE PARTS ET3634,21,27
ORDER NO. 504-0299028

TMC-ET3634
PUMP IMPELLER KITS
FOR ELECTRIC TOILET
ORDER NO. 504-0299034

TMC-ET9920
PIPE JOINTS FOR
ELECTRIC TOILET
ORDER NO. 504-0299020

TMC-00038
BASE UNIT FOR ELECTRIC TOILET
INCLUDE PARTS ET3825,22
ORDER NO. 504-0299038

TMC-ET3825
BASE PORT KITS
FOR ELECTRIC TOILET
ORDER NO. 504-0299025

TMC-ET3822
BASE GASKET KITS
FOR ELECTRIC TOILET
ORDER NO. 504-0299022

TMC-99902S
STANDARD SWITCH BOX ASSEMBLY
FOR ELECTRIC TOILET
ORDER NO.
302-0020100 12V
302-0020200 24V

TMC-0240401
DELUXE PANEL SWITCH WITH FUSE
PACKAGE. OPTIONAL ORDER FOR
ELECTRIC TOILET
ORDER NO.
502-2404011 12V
502-2404012 24V

TT9923

ET3626

ET3634

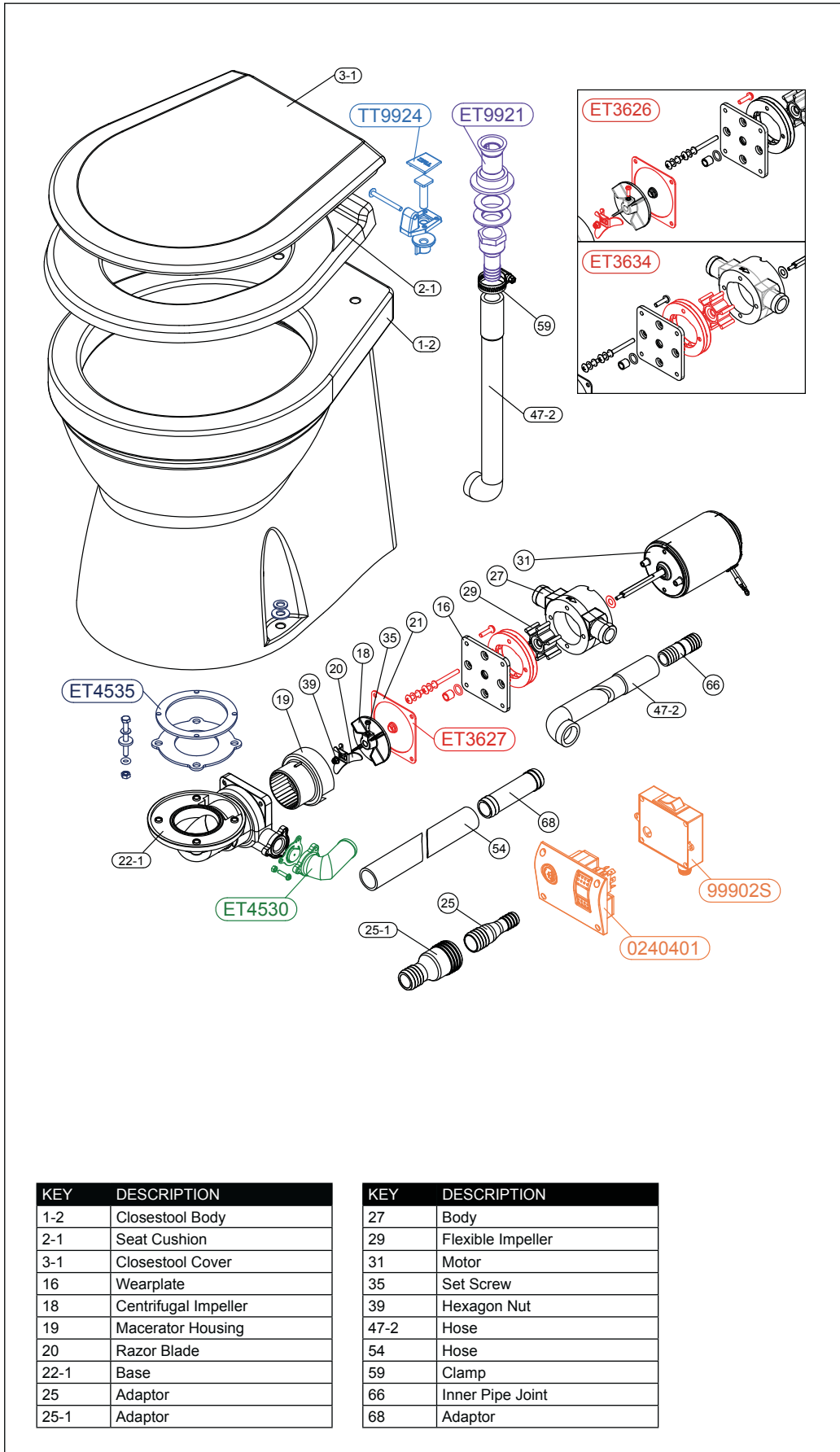
TT9924

ET9920

99902S

0240401

- TMC TOILET SERVICE PARTS ARE SOLD BY PACKAGE.
- INDIVIDUAL PART LIST IS FOR REFERENCE ONLY.



TMC-00041
DELUXE PLASTIC SEAT AND COVER
INCLUDE PARTS TT9924,2-1,3-1
ORDER NO. 504-0299041

TMC-TT9924
HINGE SET FOR DELUXE SEAT
ORDER NO. 504-0299024

TMC-00036
PUMP UNIT FOR ELECTRIC TOILET
INCLUDE PARTS
ET3627,19,39,20,18,35,16,29,27,31
ORDER NO.
504-0299036 12V
504-0299037 24V

TMC-ET3626
PUMP RAZOR KITS
FOR ELECTRIC TOILET
ORDER NO. 504-0299026

TMC-ET3627
PUMP GASKET KITS
FOR ELECTRIC TOILET
ORDER NO. 504-0299027

TMC-ET3628
PUMP BODY KITS
FOR ELECTRIC TOILET
INCLUDE PARTS ET3634,21,27
ORDER NO. 504-0299028

TMC-ET3634
PUMP IMPELLER KITS
FOR ELECTRIC TOILET
ORDER NO. 504-0299034

TMC-ET9921
PIPE JOINTS FOR
ELECTRIC TOILET
ORDER NO. 504-0299021

TMC-00045
BASE UNIT FOR ELECTRIC TOILET
INCLUDE PARTS ET4530,22-1
ORDER NO. 504-0299045

TMC-ET4530
BASE PORT KITS
FOR ELECTRIC TOILET
ORDER NO. 504-0299030

TMC-ET4535
BASE GASKET KITS
FOR ELECTRIC TOILET
ORDER NO. 504-0299035

TMC-00046
CONVERSION KITS FOR
ELECTRIC TOILET
(W/O #1-2,2-1,3-1,TT9924)
ORDER NO.
504-0299461 12V
504-0299462 24V

TMC-99902S
STANDARD SWITCH BOX ASSEMBLY
FOR ELECTRIC TOILET
ORDER NO.
302-0020100 12V
302-0020200 24V

TMC-0240401
DELUXE PANEL SWITCH WITH FUSE
PACKAGE. OPTIONAL ORDER FOR
ELECTRIC TOILET
ORDER NO.
502-2404011 12V
502-2404012 24V

KEY	DESCRIPTION
1-2	Closestool Body
2-1	Seat Cushion
3-1	Closestool Cover
16	Wearplate
18	Centrifugal Impeller
19	Macerator Housing
20	Razor Blade
22-1	Base
25	Adaptor
25-1	Adaptor

KEY	DESCRIPTION
27	Body
29	Flexible Impeller
31	Motor
35	Set Screw
39	Hexagon Nut
47-2	Hose
54	Hose
59	Clamp
66	Inner Pipe Joint
68	Adaptor

• TMC TOILET SERVICE PARTS ARE SOLD BY PACKAGE.
• INDIVIDUAL PART LIST IS FOR REFERENCE ONLY.

Service Parts For TMC Electric Toilet Model 99909, 99910

KEY	DESCRIPTION
1-4	Closestool Body(99909)
2	Seat Cushion(99909)
3	Closestool Cover(99909)
1-3	Closestool Body(99910)
2-1	Seat Cushion(99910)
3-1	Closestool Cover(99910)
16	Wearplate
18	Centrifugal Impeller
19	Macerator Housing
20	Razor Blade
22-1	Base
25	Adaptor

KEY	DESCRIPTION
25-1	Adaptor
27	Body
29	Flexible Impeller
31	Motor
35	Set Screw
39	Hexagon Nut
47-2	Hose
54	Hose
59	Clamp
66	Inner Pipe Joint
68	Adaptor
72	Hose

ET4535
BASE

ET4530
BASE PORT KITS

ET3627
PUMP GASKET KITS

ET3626
PUMP RAZOR KIT

ET3634
PUMP RAZOR KIT

99902S
PUMP RAZOR KIT

0240401
DELUXE PANEL SWITCH WITH FUSE PACKAGE

TT9923
HINGE SET FOR STANDARD SEAT

TT9924
HINGE SET FOR DELUXE SEAT

TMC-00029
STANDARD SEAT AND COVER
INCLUDE PARTS TT9923,2,3
ORDER NO. 504-0299029

TMC-00041
DELUXE PLASTIC SEAT AND COVER
INCLUDE PARTS TT9924,2-1,3-1
ORDER NO. 504-0299041

TMC-TT9923
HINGE SET FOR STANDARD SEAT
ORDER NO. 504-0299023

TMC-TT9924
HINGE SET FOR DELUXE SEAT
ORDER NO. 504-0299024

TMC-00036
PUMP UNIT FOR ELECTRIC TOILET
INCLUDE PARTS
ET3627,19,39,20,18,35,16,29,27,31
ORDER NO.
504-0299036 12V
504-0299037 24V

TMC-ET3626
PUMP RAZOR KIT
FOR ELECTRIC TOILET
ORDER NO. 504-0299026

TMC-ET3627
PUMP GASKET KITS
FOR ELECTRIC TOILET
ORDER NO. 504-0299027

TMC-ET3628
PUMP BODY KITS
FOR ELECTRIC TOILET
INCLUDE PARTS ET3634,21,27
ORDER NO. 504-0299028

TMC-ET3634
PUMP IMPELLER KITS
FOR ELECTRIC TOILET
ORDER NO. 504-0299034

TMC-ET9921
PIPE JOINTS FOR
ELECTRIC TOILET
ORDER NO. 504-0299021

TMC-00045
BASE UNIT FOR ELECTRIC TOILET
INCLUDE PARTS ET4530,22-1
ORDER NO. 504-0299045

TMC-ET4530
BASE PORT KITS
FOR ELECTRIC TOILET
ORDER NO. 504-0299030

TMC-ET4535
BASE GASKET KITS
FOR ELECTRIC TOILET
ORDER NO. 504-0299035

TMC-99902S
STANDARD SWITCH BOX ASSEMBLY
FOR ELECTRIC TOILET
ORDER NO.
302-0020100 12V
302-0020200 24V

TMC-0240401
DELUXE PANEL SWITCH WITH FUSE
PACKAGE. OPTIONAL ORDER FOR
ELECTRIC TOILET
ORDER NO.
502-2404011 12V
502-2404012 24V

TMC-00029
STANDARD SEAT AND COVER
INCLUDE PARTS TT9923,2,3
ORDER NO. 504-0299029

TMC-00041
DELUXE PLASTIC SEAT AND COVER
INCLUDE PARTS TT9924,2-1,3-1
ORDER NO. 504-0299041

TMC-TT9923
HINGE SET FOR STANDARD SEAT
ORDER NO. 504-0299023

TMC-TT9924
HINGE SET FOR DELUXE SEAT
ORDER NO. 504-0299024

TMC-00036
PUMP UNIT FOR ELECTRIC TOILET
INCLUDE PARTS
ET3627,19,39,20,18,35,16,29,27,31
ORDER NO.
504-0299036 12V
504-0299037 24V

TMC-ET3626
PUMP RAZOR KIT
FOR ELECTRIC TOILET
ORDER NO. 504-0299026

TMC-ET3627
PUMP GASKET KITS
FOR ELECTRIC TOILET
ORDER NO. 504-0299027

TMC-ET3628
PUMP BODY KITS
FOR ELECTRIC TOILET
INCLUDE PARTS ET3634,21,27
ORDER NO. 504-0299028

TMC-ET3634
PUMP IMPELLER KITS
FOR ELECTRIC TOILET
ORDER NO. 504-0299034

TMC-ET9921
PIPE JOINTS FOR
ELECTRIC TOILET
ORDER NO. 504-0299021

TMC-00045
BASE UNIT FOR ELECTRIC TOILET
INCLUDE PARTS ET4530,22-1
ORDER NO. 504-0299045

TMC-ET4530
BASE PORT KITS
FOR ELECTRIC TOILET
ORDER NO. 504-0299030

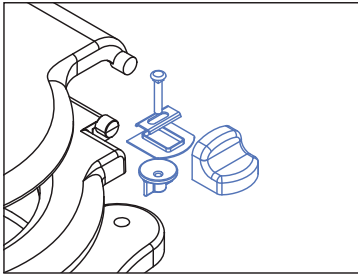
TMC-ET4535
BASE GASKET KITS
FOR ELECTRIC TOILET
ORDER NO. 504-0299035

TMC-99902S
STANDARD SWITCH BOX ASSEMBLY
FOR ELECTRIC TOILET
ORDER NO.
302-0020100 12V
302-0020200 24V

TMC-0240401
DELUXE PANEL SWITCH WITH FUSE
PACKAGE. OPTIONAL ORDER FOR
ELECTRIC TOILET
ORDER NO.
502-2404011 12V
502-2404012 24V

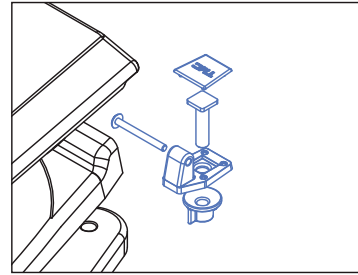
• TMC TOILET SERVICE PARTS ARE SOLD BY PACKAGE.
• INDIVIDUAL PART LIST IS FOR REFERENCE ONLY.

Service Parts For TMC Electric Toilet



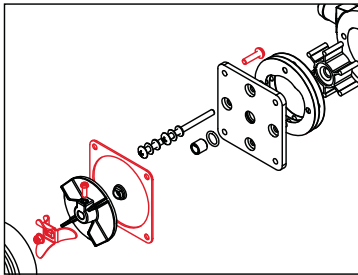
TMC-TT9923
HINGE SET FOR
STANDARD SEAT

ORDER NO.
504-0299023



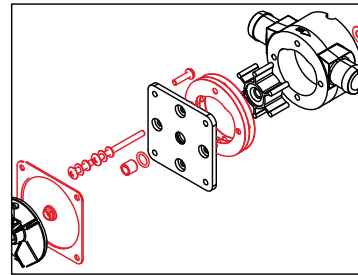
TMC-TT9924
HINGE SET FOR
DELUXE SEAT

ORDER NO.
504-0299024



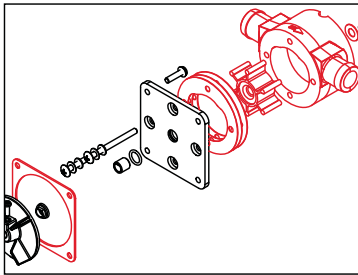
TMC-ET3626
PUMP RAZOR KTIS
FOR ELECTRIC TOILET

ORDER NO.
504-0299026



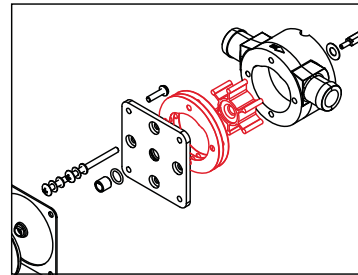
TMC-ET3627
PUMP GASKET KITS
FOR ELECTRIC TOILET

ORDER NO.
504-0299027



TMC-ET3628
PUMP BODY KITS
FOR ELECTRIC TOILET

ORDER NO.
504-0299028

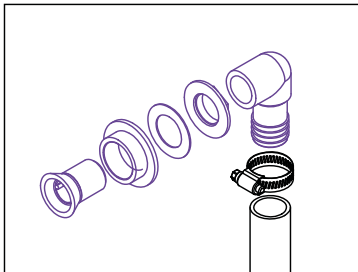


TMC-ET3634
PUMP IMPELLER KITS
FOR ELECTRIC TOILET

ORDER NO.
504-0299034

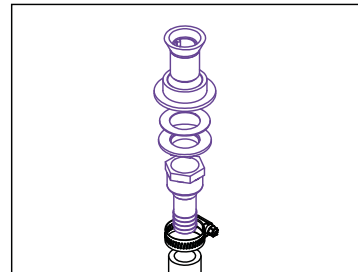
For Model 99902, 99904

For Model 99907, 99909, 99910



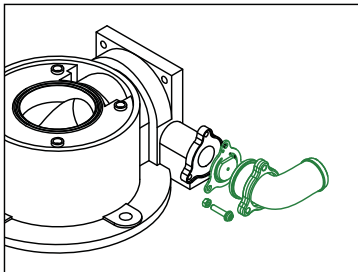
TMC-ET9920
PIPE JOINTS FOR
ELECTRIC TOILET

ORDER NO.
504-0299020



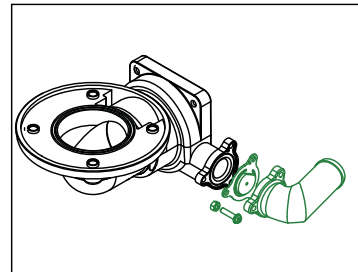
TMC-ET9921
PIPE JOINTS FOR
ELECTRIC TOILET

ORDER NO.
504-0299021



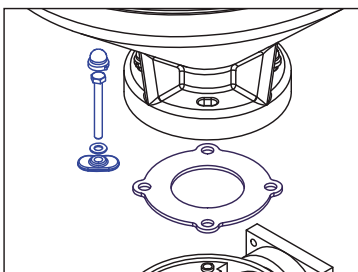
TMC-ET3825
BASE PORT KITS
FOR ELECTRIC TOILET

ORDER NO.
504-0299025



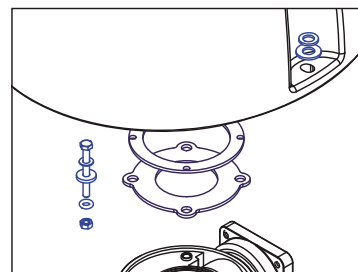
TMC-ET4530
BASE PORT KITS
FOR ELECTRIC TOILET

ORDER NO.
504-0299030



TMC-ET3822
BASE GASKET KITS
FOR ELECTRIC TOILET

ORDER NO.
504-0299022



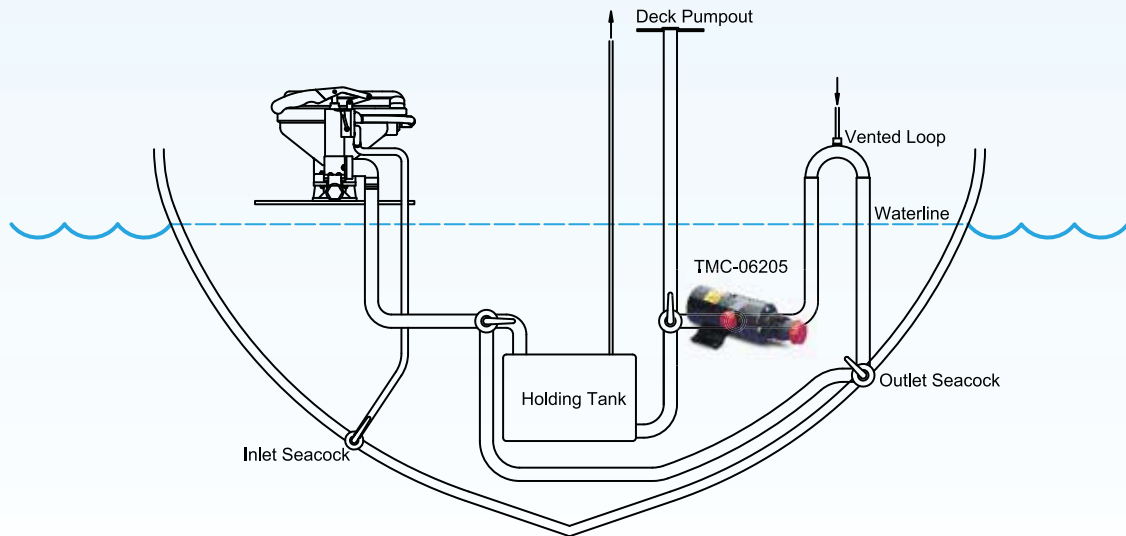
TMC-ET4535
BASE GASKET KITS
FOR ELECTRIC TOILET

ORDER NO.
504-0299035

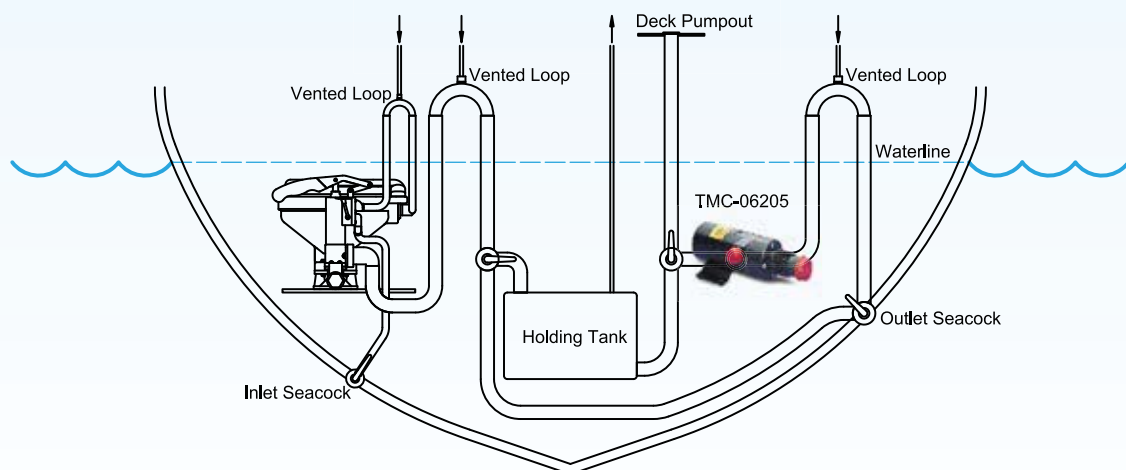
- TMC TOILET SERVICE PARTS ARE SOLD BY PACKAGE.
- INDIVIDUAL PART LIST IS FOR REFERENCE ONLY.

TOILET INSTALLATION

ABOVE THE WATERLINE



BELOW THE WATERLINE



- ALL TMC TOILETS CAN BE MOUNTED BOTH ABOVE AND BELOW THE WATER LINE.
- CONSULT WITH A QUALIFIED MARINE PLUMBER IS RECOMMENDED.
- CONSULT WITH THE COAST GUARD FOR WASTE DISCHARGE RULES ON WATERWAYS WHERE YOU WILL BE OPERATING.



TMC TECHNOLOGY CORP.



www.tmcintl.com

www.tmcint.com



TMC TECHNOLOGY CORP.

[Sales Office]

11F., No. 71, Dunhua S. Rd., Sec. 2, Taipei, Taiwan, R.O.C.

TEL: 886-2-2755-0897 **FAX:** 886-2-2755-0967

Website: www.tmcint.com

E-Mail: sales1@tmcint.com

[Factory]

No. 726, Jieh Shou Rd., Sec. 2, Pa Teh City,
Taoyuan, Taiwan, R.O.C.

TEL: 886-3-368-8127 **FAX:** 886-3-368-4959