



**SEASTAR  
SOLUTIONS**

640 North Lewis Road  
Limerick, PA 19468 USA  
610-495-7011  
www.seastarsolutions.com

# SA27255, SA27256

## STEERING CONNECTION KIT TRANSOM MOUNT

# INSTRUCTIONS

**INSTALLER: THESE INSTRUCTIONS CONTAIN IMPORTANT SAFETY INFORMATION AND MUST BE FORWARDED TO THE BOAT OWNER.**

THIS KIT CONTAINS PARTS REQUIRED TO PROVIDE A TRANSOM MOUNTING FOR STEERING CABLES (MANUFACTURED BY SEASTAR SOLUTIONS) AND A CONNECTION TO MOST OUTBOARD MOTORS.

### CAUTION

READ THESE INSTRUCTIONS THOROUGHLY BEFORE PROCEEDING WITH INSTALLATION. MOTOR PIVOTS MUST BE ADJUSTED AND LUBRICATED IN ACCORDANCE WITH THE MOTOR MANUFACTURER'S INSTRUCTIONS. IN ORDER TO AVOID EXCESS STEERING LOADS AND TO OPTIMIZE STEERING CHARACTERISTICS, MOTOR OR OUTDRIVE TRIM TABS MUST BE ADJUSTED ACCORDING TO THE MOTOR MANUFACTURER'S INSTRUCTIONS FOR THE SPECIFIC MOTOR AND BOAT COMBINATION. FAILURE TO DO SO CAN AFFECT BOAT PERFORMANCE AND SAFETY OF OPERATION.

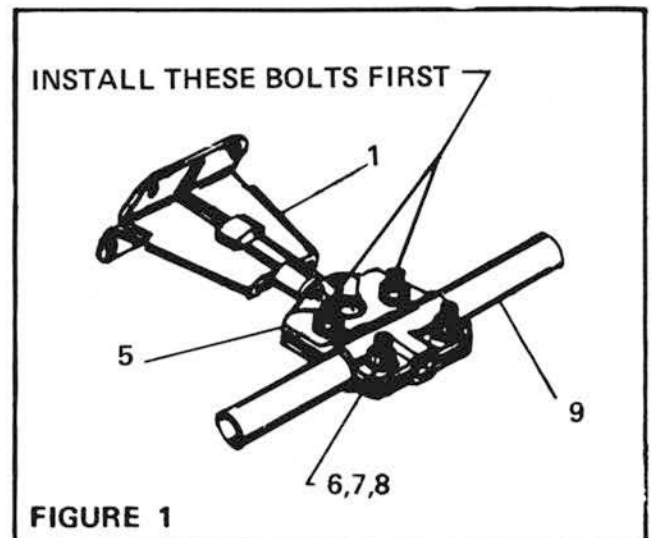
CHECK CONTENTS OF THE KIT AGAINST PARTS LIST ON THIS INSTRUCTION SHEET. PARTS SUPPLIED MUST BE USED PER INSTRUCTIONS. THE COMPANY CANNOT ACCEPT RESPONSIBILITY FOR THE INTEGRITY OF INSTALLATIONS IN WHICH SUBSTITUTE PARTS ARE USED.

### CLAMP BLOCK ASSEMBLY MOUNTING

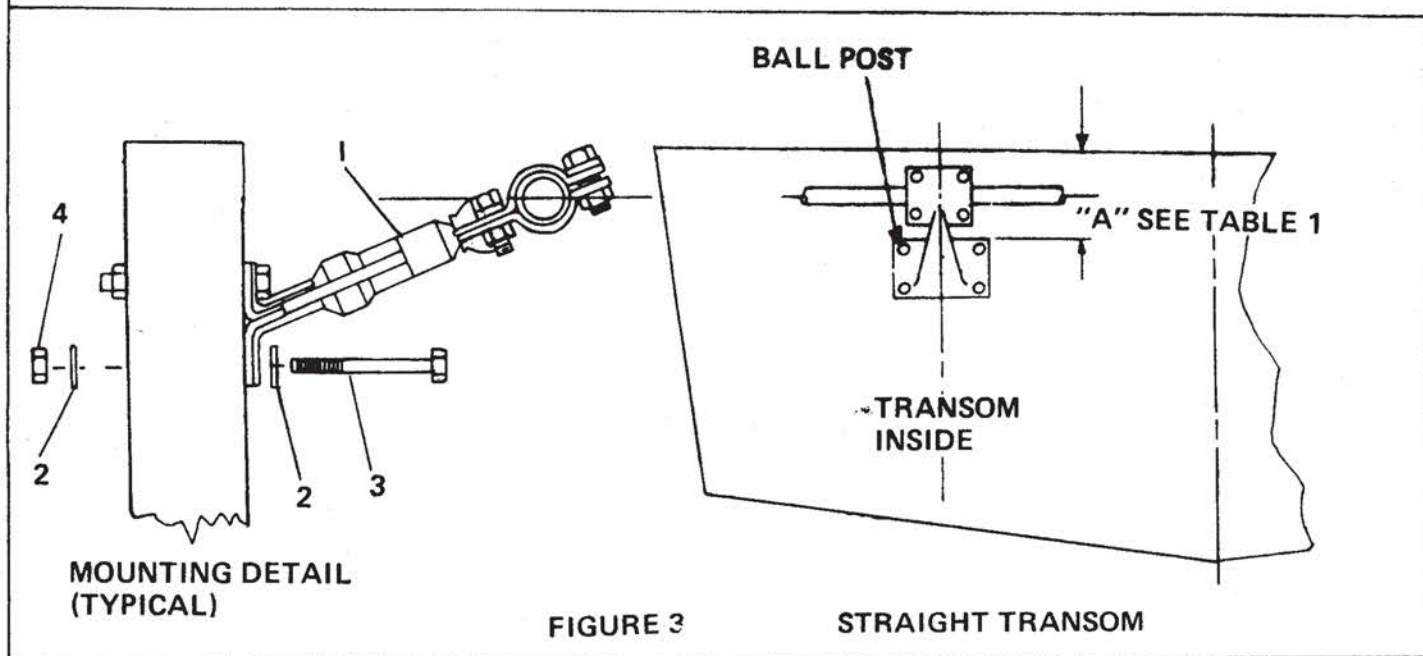
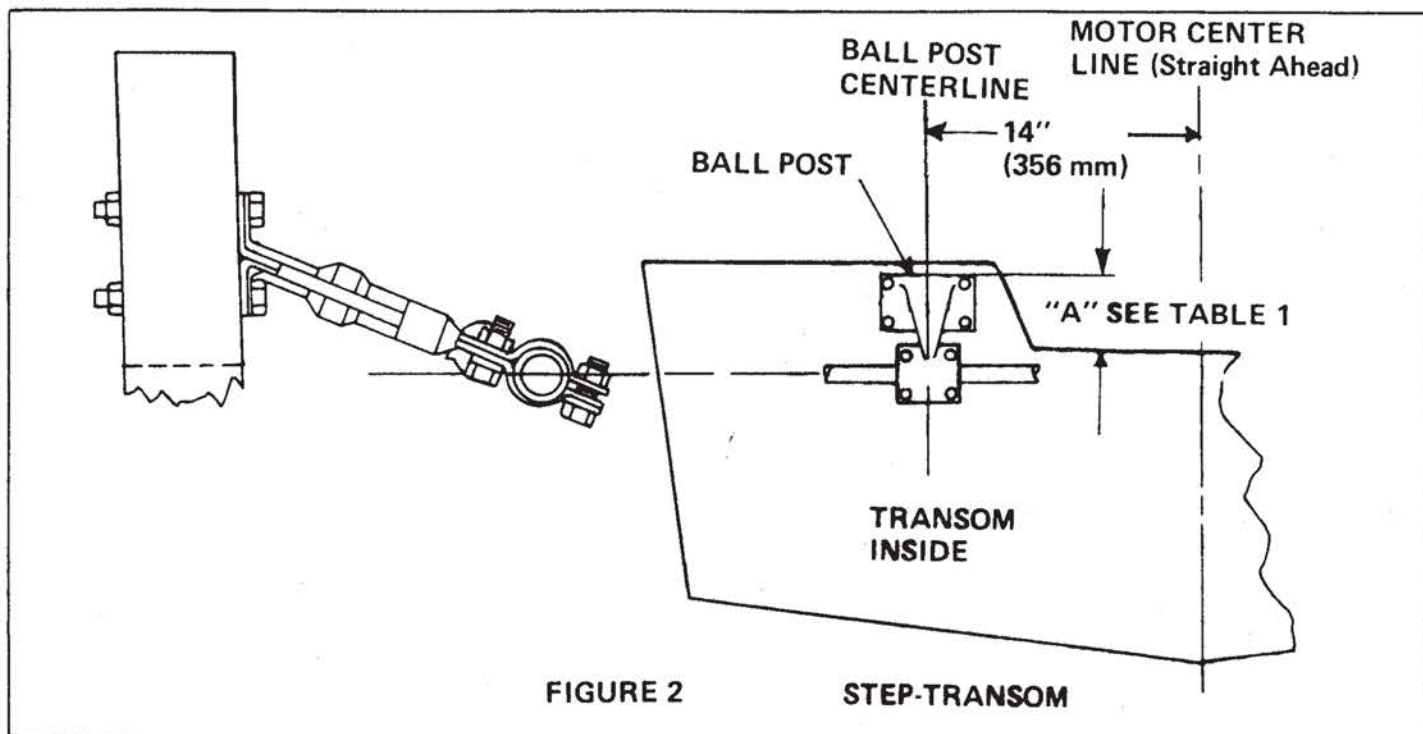
1. Mark the vertical centerline of the Ball Post at 14" (356mm) from the vertical centerline of the transom as shown in Figures 2 or 3. NOTE: Ball Post must be pointed up or down as shown. DO NOT ATTEMPT TO MOUNT SIDEWAYS.
2. Select the proper mounting dimension "A" from Table I and mounting position (Figures 2 or 3) required for the type transom and motor used. Using the template (Figure 5) locate and mark the hole pattern on the transom. Place the Ball Post base in position and check the hole pattern. Make any corrections necessary to meet the dimensions specified, then drill four 5/16" (8mm) diameter holes as indicated.
3. Attach Ball Post (Item 1) to transom as follows: Place four Flatwashers (Item 2) over Bolts (Item 3) then install Bolts thru Ball Post base. Feed Bolts thru transom (see detail, Figure 3), add four Flatwashers (Item 2), and thread on Locknuts (Item 4). Torque to 75 inch/pounds. DO NOT EXCEED 100 INCH/POUNDS.

TABLE 1			
MOTOR MAKE	H.P. RATING	"A" DIMENSION	
		STEP TRANSOM	STRAIGHT TRANSOM
MERCURY	40-50 80 & UP	3-3/16" (81mm)	1-1/16" (27mm)
JOHNSON/ EVINRUDE	25-40 50 70 & UP	1-11/16" (43mm)	2-9/16" (65mm)
CHRYSLER	20-25-30 35-45-50	3-3/16" (81mm)	1-1/16" (27mm)
	60 75 & UP	1-11/16" (43mm)	2-9/16" (65mm)

4. Place two Clamp Block Brackets (Item 5) around Ball Post ball as shown in Figure 1, and install two Bolts (Item 6) thru rear holes, closest to Ball Post. Add two Flatwashers (Item 7) and Locknuts (Item 8). Slide Support Tube (Item 9) thru jaws of Clamp Blocks, (with threaded end toward the side of the boat steering cable is mounted) and tighten up on hardware sufficient to attach Clamp Blocks to Ball Post while leaving Support Tube free to slide. DO NOT INSTALL HARDWARE IN FRONT HOLES AT THIS TIME.



**FIGURE 1**



### STEERING CABLE INSTALLATION

1. Insert telescopic end of Steering cable thru Support Tube (Item 9) as shown in Figure 4. Grip Support Tube with a strap wrench or equivalent tool which will not cause surface damage to or collapse tube.
2. Thread Coupler Nut of Steering cable on to end of Support Tube and tighten securely (approximately 15 foot/pounds).

NOTE: The Coupler Nut has a locking feature in the threads. Make sure the Nut is drawn up fully and the locking feature is engaged.

3. For SA27255 (Stainless Steel) Kit ONLY: Slide plastic Bearing (Item 12) over telescopic output ram and install into end of Support Tube.
4. Slide Boot and Wiper Assembly (Item 10) over telescopic output ram and press firmly over end of Support Tube (Item 9) until fully seated. See Figure 4.

# TEMPLATE

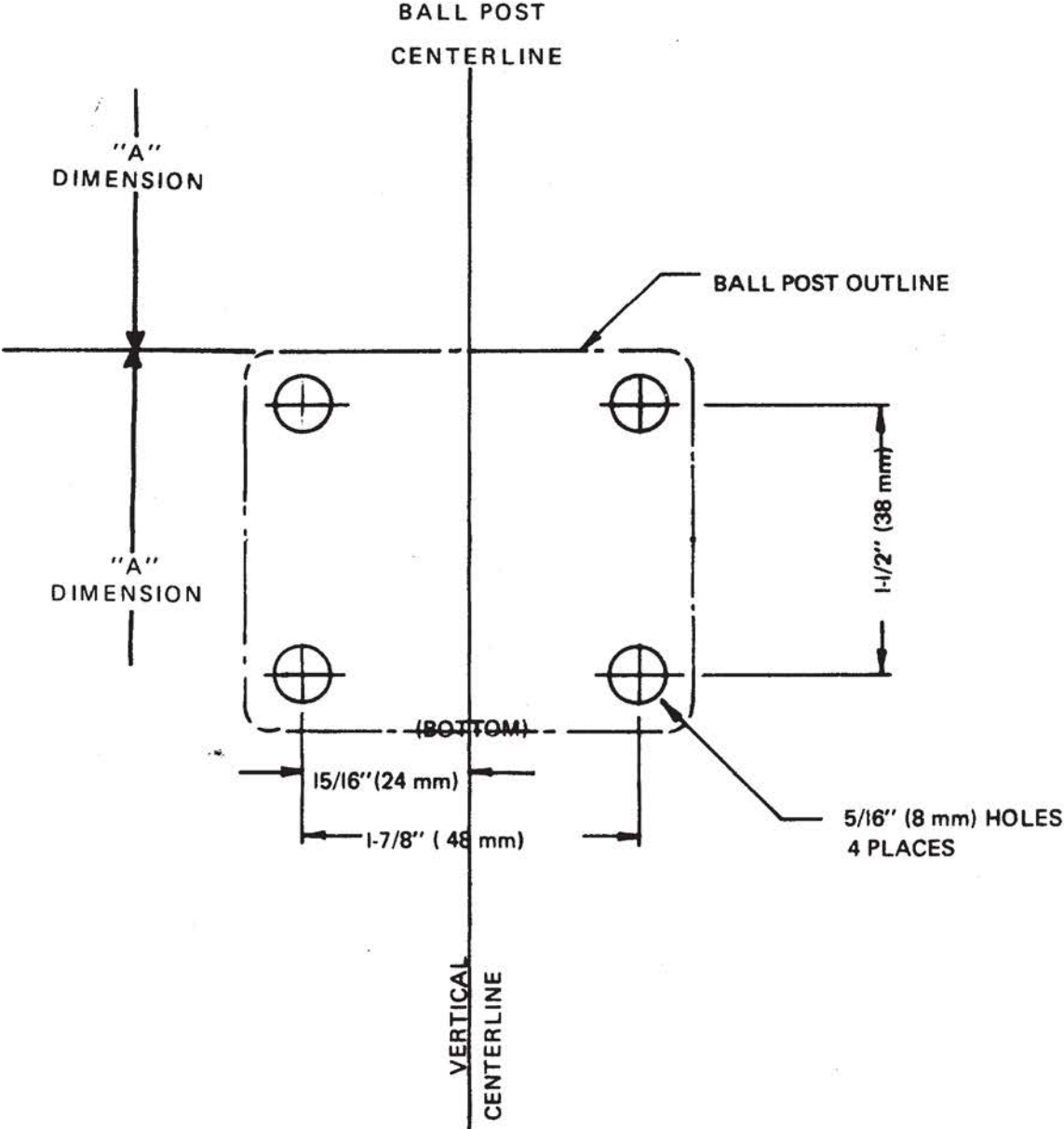


FIGURE 5



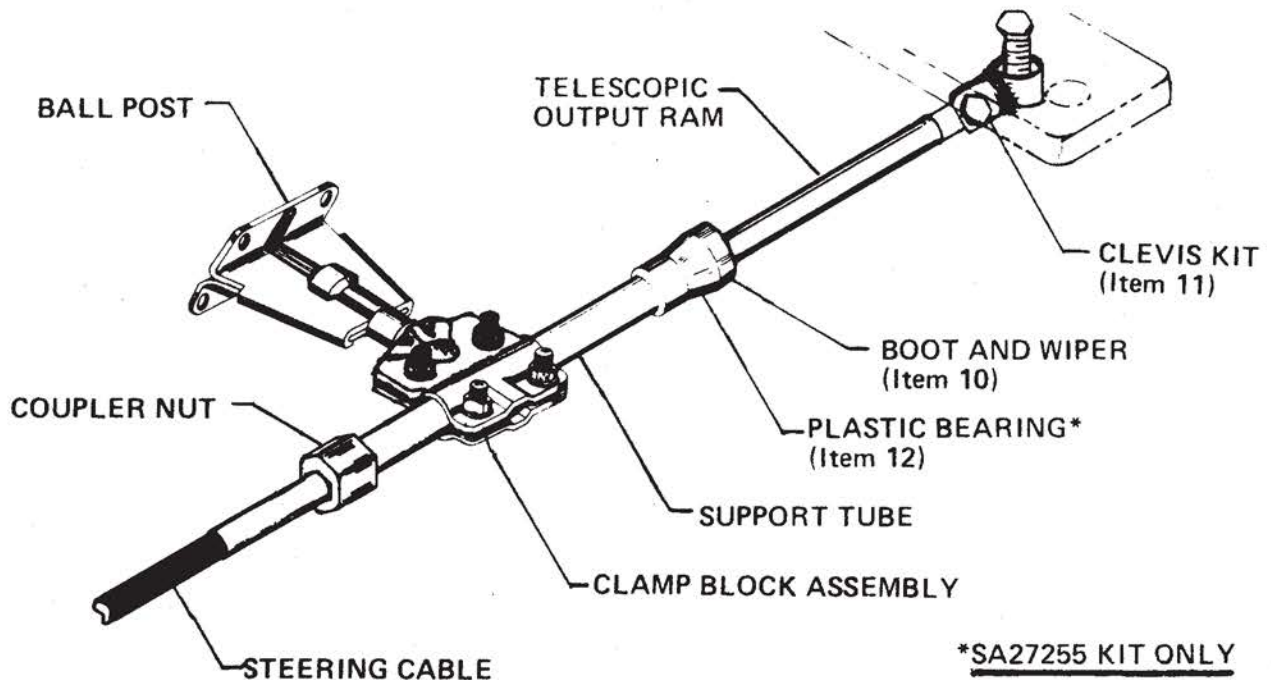


FIGURE 4

### TILLER ARM CONNECTION

1. Install Clevis to telescopic stud following instructions packed with the Clevis Kit (Item 11).
2. Place telescopic output ram in approximate mid-travel position by rotating steering wheel until telescopic is fully retracted, then rotate in the opposite direction one and one-half (1-1/2) turns.
3. Center motor tiller arm to a straight-ahead position.
4. Align the Clevis mounting hole (telescopic in mid-position) with the tiller arm mounting hole (motor dead-ahead) by sliding Support Tube thru Clamp Block.
5. Attach Clevis to tiller arm, following the Clevis Kit instruction sheet.

### FINAL ASSEMBLY

1. Fully tighten the Clamp Block hardware (Items 6, 7, & 8) previously installed per step 4 of "Clamp Block Assembly Mounting". Torque to 100 inch/pounds minimum. DO NOT EXCEED 130 INCH/POUNDS.
2. Install the other two sets of hardware (Items 6, 7, & 8) into the Clamp Block and torque to 100 inch/pounds minimum. DO NOT EXCEED 130 INCH/POUNDS.

#### CAUTION

HARDWARE MUST BE INSTALLED AND TIGHTENED IN THIS SEQUENCE. FAILURE TO DO SO COULD ALLOW CLAMP BLOCK TO PULL OFF BALL POST, RESULTING IN TOTAL LOSS OF STEERING.

### STEERING TRAVEL CHECK

With the steering wheel, operate the steering system fully in both directions to assure equal travel of motor. Should further adjustment be required, loosen Clamp Block hardware and slide Support Tube in the desired direction. Re-torque hardware to specification in accordance with FINAL ASSEMBLY instructions above.

### FINAL MECHANICAL CHECKOUT

1. Move the motor thru the normal operating positions (side to side and tilting up and down) to assure that no interference or restriction of movement exists.
2. Check Coupler nut attaching Steering Cable to Support Tube (Item 9) and all attaching hardware for security and re-torque if necessary.
3. Using the steering wheel, check for proper action of steering controls. Rotating the wheel clockwise (to the right) should cause the boat to turn to the right (starboard). The installation is now complete.

#### WARNING

THE BOAT SHOULD BE OPERATED WITH CAUTION UNTIL THE STEERING SYSTEM HAS BEEN THOROUGHLY CHECKED OUT UNDER NORMAL OPERATING CONDITIONS TO INSURE THAT THE INSTALLATION IS CORRECT AND FUNCTIONING PROPERLY.

PARTS LIST		
ITEM	DESCRIPTION	QUANTITY
1	BALL POST ASSEMBLY	1
2	FLATWASHER 1/4" ID	8
3	HEX BOLT 1/4-28 x 2-1/2"	4
4	LOCKNUT 1/4-28	4
5	CLAMP BLOCK BRACKET	2
6	HEX BOLT 5/16-18 x 3/4"	4
7	FLATWASHER 5/16 ID	4
8	LOCKNUT 5/16-18	4
9	SUPPORT TUBE	1
10	BOOT AND WIPER ASSEMBLY	1
11	CLEVIS KIT	1
12*	PLASTIC BEARING	1
	* SA27255 KIT ONLY	

#### MAINTENANCE NOTES

1. AFTER A FEW HOURS OF OPERATION FOLLOWING INSTALLATION OF THIS KIT AND PERIODICALLY THEREAFTER, RE-TORQUE ALL FASTENERS AND CHECK THE STEERING SYSTEM FOR SECURITY AND INTEGRITY. LOOSENING OR SEPARATION OF ONE OR MORE FASTENERS MAY CAUSE FAILURE OF THE STEERING SYSTEM, RESULTING IN PROPERTY DAMAGE AND PERSONAL INJURY.
2. FLUSH TELESCOPIC AREA (CABLE OUTPUT END) WITH FRESH WATER AFTER OPERATION OF BOAT IN SALT WATER. PERIODICALLY LUBRICATE THE TELESCOPIC OUTPUT RAM WITH A LIGHT FILM OF OIL.
3. WHEN STORING THE BOAT FOR EXTENDED PERIODS, FLUSH TELESCOPIC AREA WITH FRESH WATER. LUBRICATE THE OUTPUT RAM WHEN FULLY EXTENDED, THEN RETRACT COMPLETELY FOR STORAGE.
4. INSPECT PERIODICALLY FOR CORROSION. ALL METAL PARTS MEET OR EXCEED APPLICABLE SPECIFICATIONS FOR CORROSION RESISTANCE; HOWEVER, WITH EXTENDED OPERATION UNDER EXTREME CONDITIONS, CORROSION MAY OCCUR AND AFFECTED PARTS SHOULD BE REPLACED.

