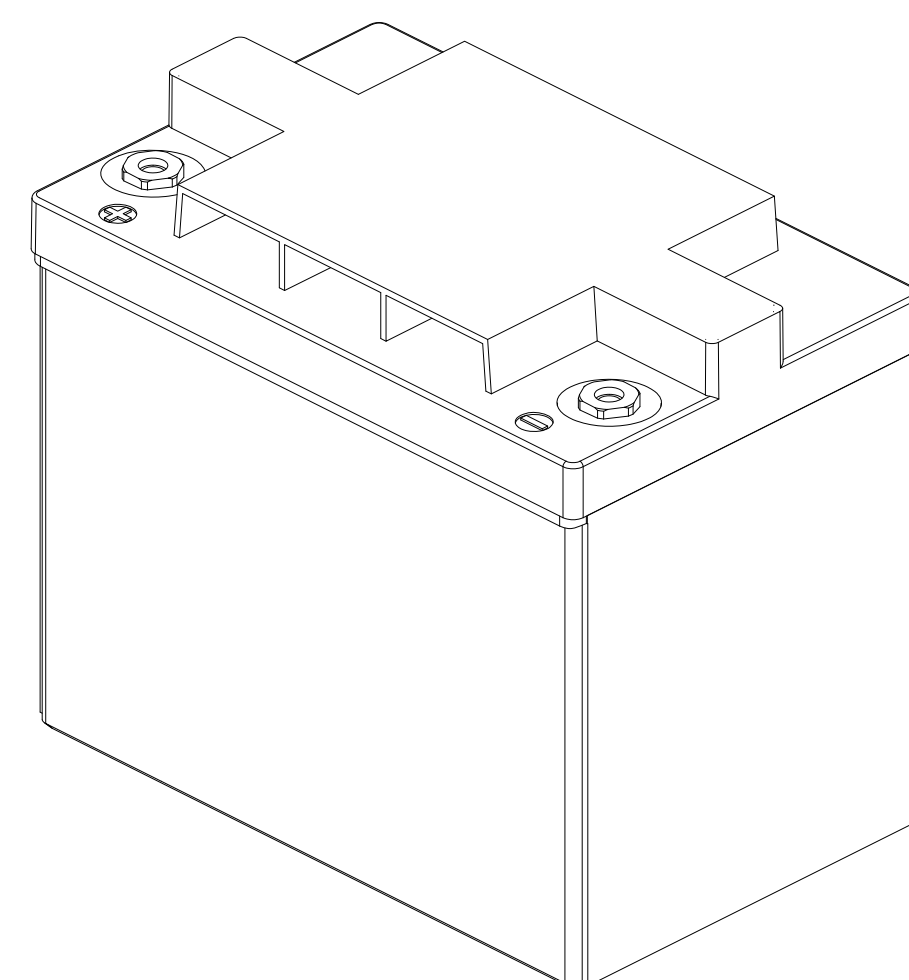


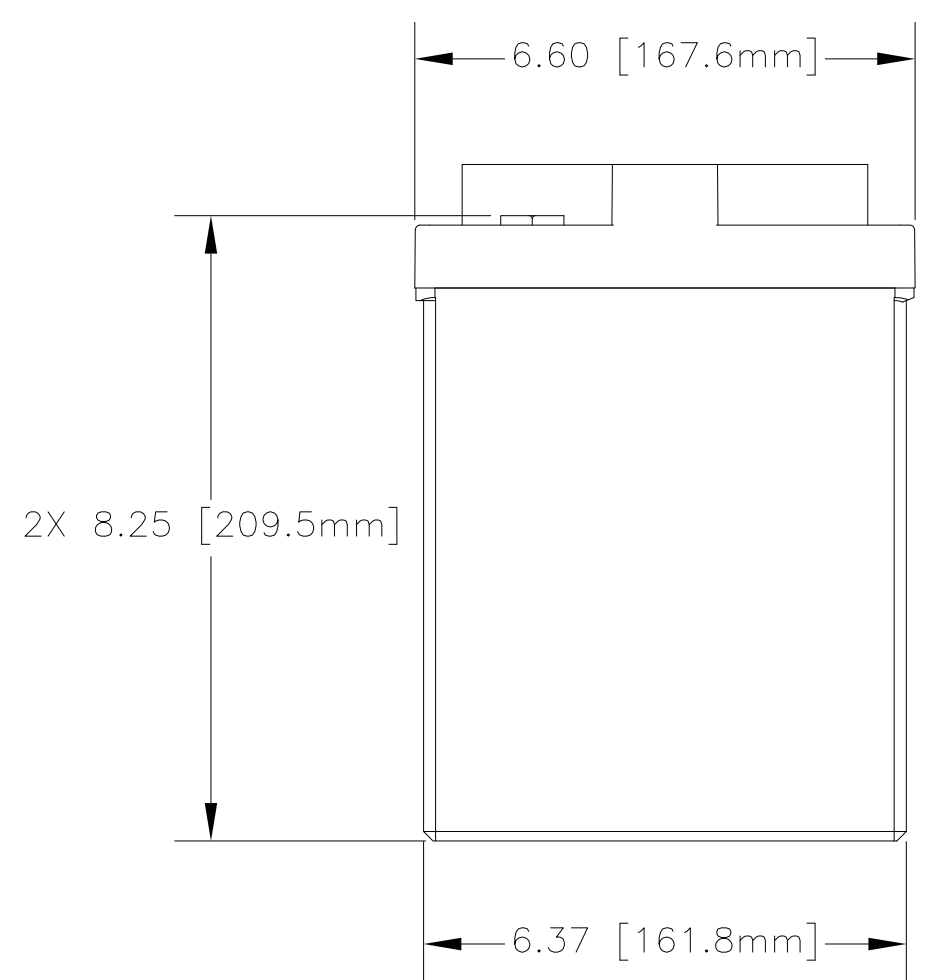
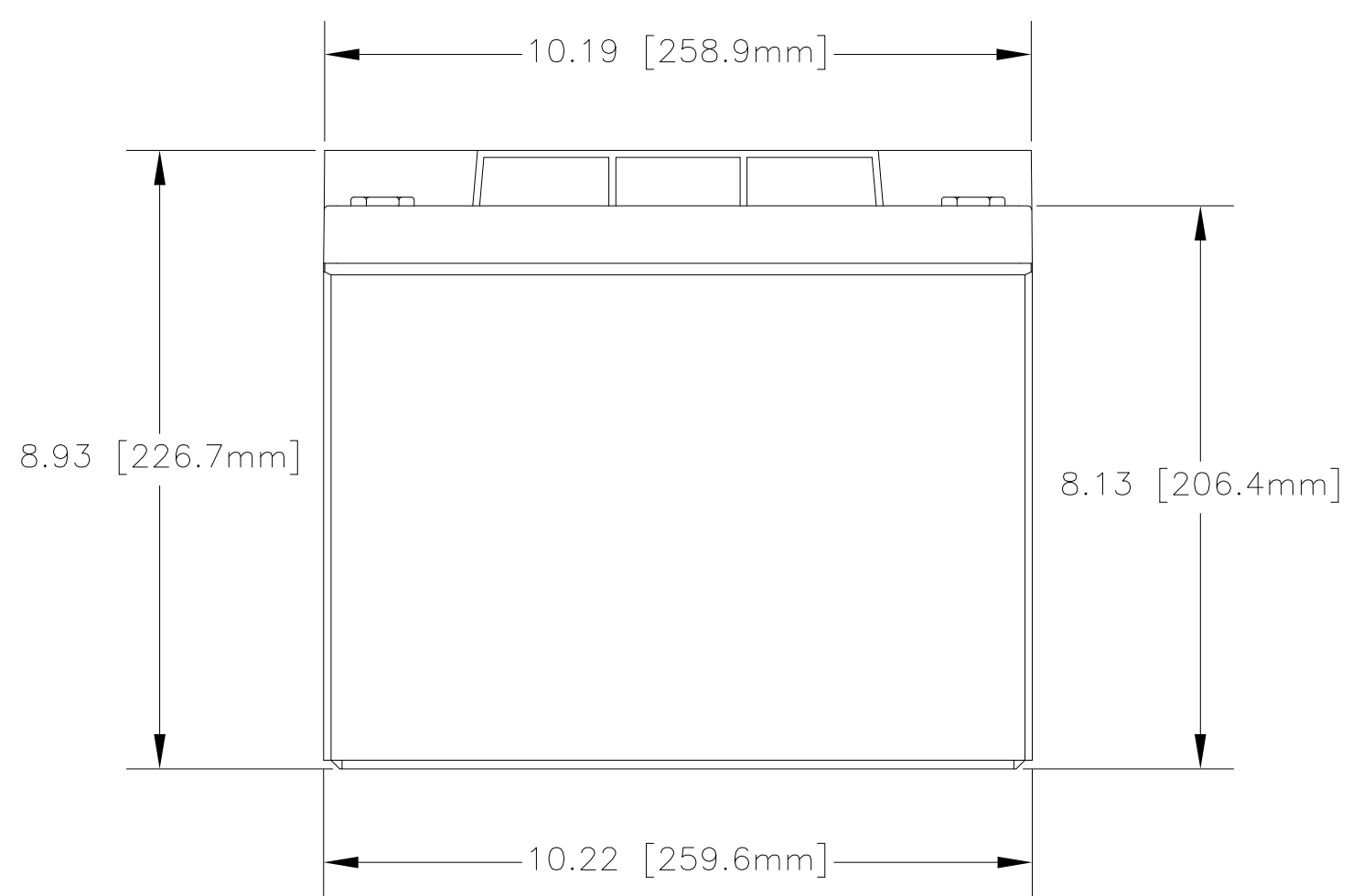
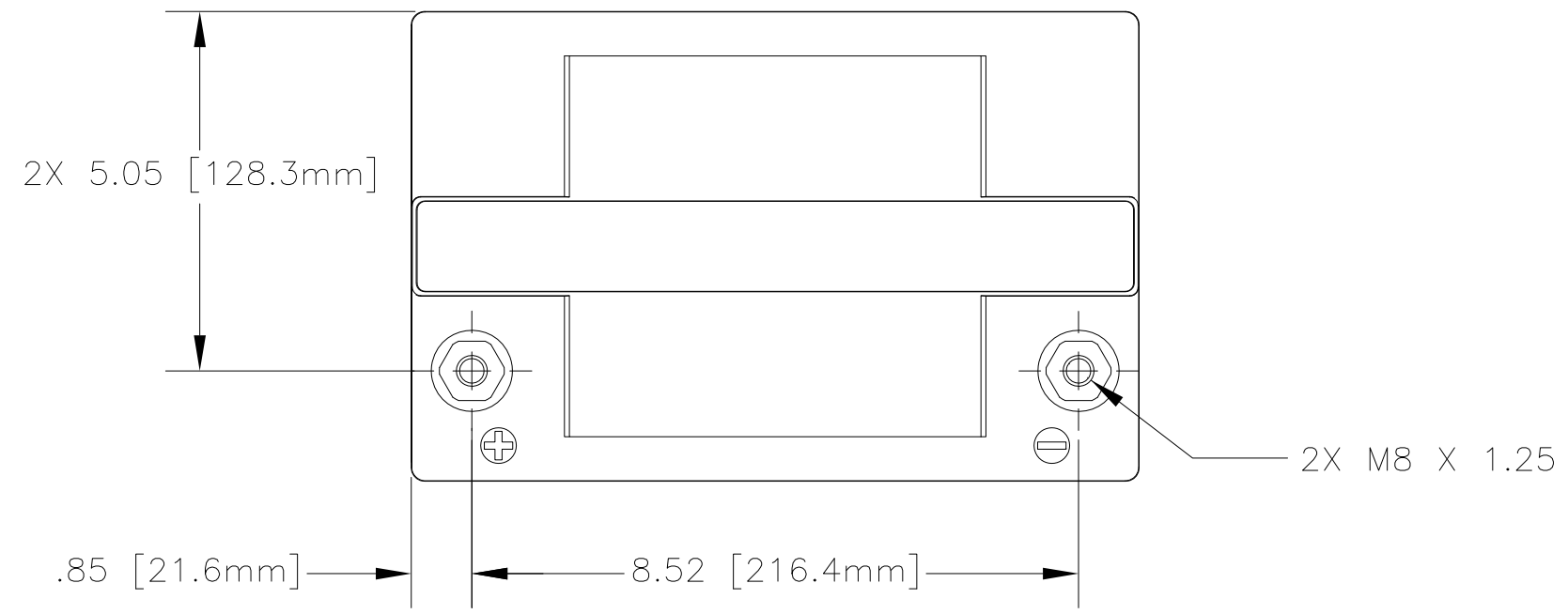
NOTES: UNLESS OTHERWISE SPECIFIED

1. SEE DRAWING NO. CB-00278 AND PROCEDURE P-1000 FOR ASSEMBLY AND TEST INSTRUCTION. PROCEDURES AND ASSEMBLY DRAWINGS ARE FOR INTERNAL USE ONLY.
2. ALL TESTING ARE IAW BATTERY COUNCIL INTERNATIONAL STANDARDS.
3. ALL DIMENSIONS ARE IN INCHES [MM].
4. ABBREVIATION USED IN TITLE IS: SEALED LEAD ACID (SLA).

REVISIONS			
REV	DESCRIPTION	DATE	APPROVED
A	REVISED NOTE 1	8/29/16	PH



REFERENCE VIEW



ENVELOPE DRAWING

CAPACITY RATINGS		
PART NUMBER	PVX-690T	PVX-840T
NOMINAL WEIGHT	51 LBS [23.2 KG]	57 LBS [25.9 KG]
AMPERE HOUR CAPACITY @ 24 HOUR 1.75 VOLTS/CELL @ 77°F (25°C)	69 AH	84 AH

QTY REQD	CAGE CODE	PART OR IDENTIFYING NO.	NOMENCLATURE OR DESCRIPTION	MATERIAL SPECIFICATION	ITEM NO.
PARTS LIST					
UNLESS OTHERWISE SPECIFIED DIMENSIONS ARE IN INCHES TOLERANCES ARE:			CONCORDE BATTERY CORPORATION 2009 SAN BERNARDINO RD, W. COVINA, CA 91790		
FRACTIONS	DECIMALS	ANGLES	TITLE BATTERY, SLA, 12 VOLT, PVX-840T SERIES		
± 1/32	.XX ± .06	± 1°	CONTRACT NO. NA	DATE 8/13/01	
.XXX ± .030			APPROVALS ELH	DRAWN 8/21/01	
TREATMENT NONE			CHECKED HRF	APPROVED JBT 8/23/01	
FINISH NONE			ISSUED JG	9/01/16	
SIMILAR TO NA	ACT WT NA	CALC WT NA	SIZE C	CAGE CODE 63017	DWG NO. PVX-840T
			SCALE NONE	SHEET 1 OF 1	