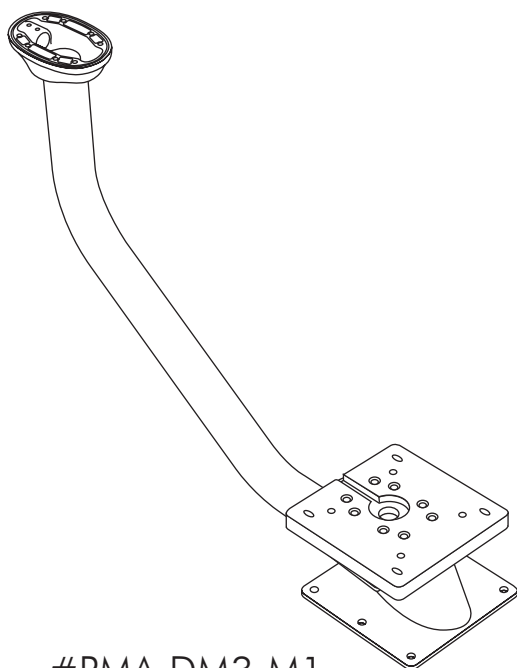
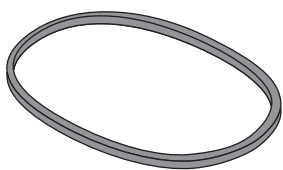


PMA-DM3-M1

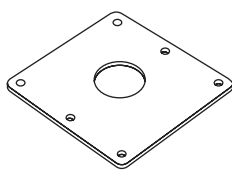
www.seaviewglobal.com



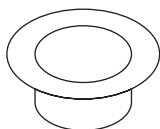
#PMA-DM3-M1



x1



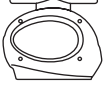
x1



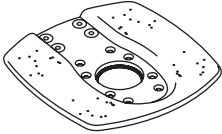
x6



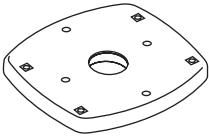
x1



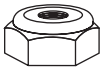
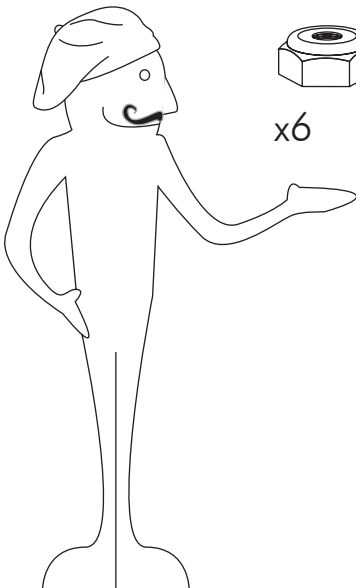
Simrad Halo™



#ADA-R1



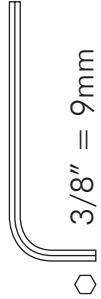
#ADA-HALO-3



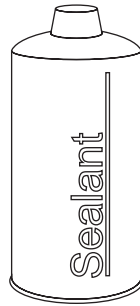
x6



3/8" = 9mm



3/8" = 9mm

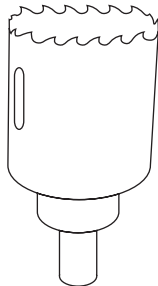


Sealant

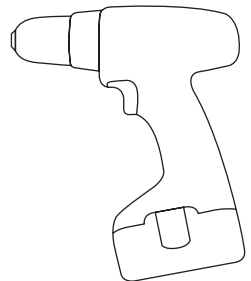
3M 4000 or equivalent

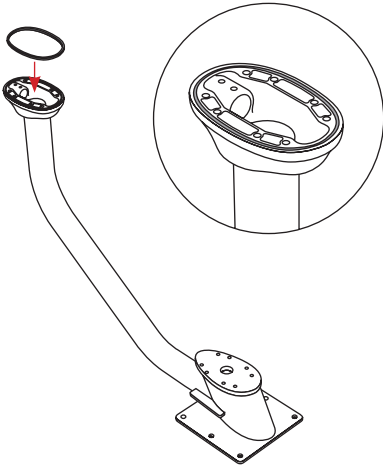
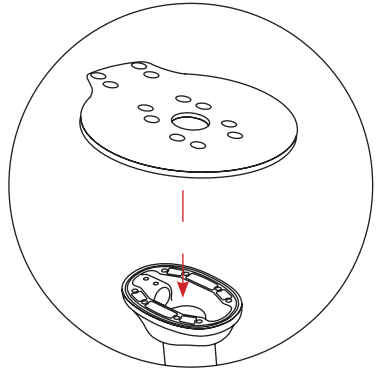
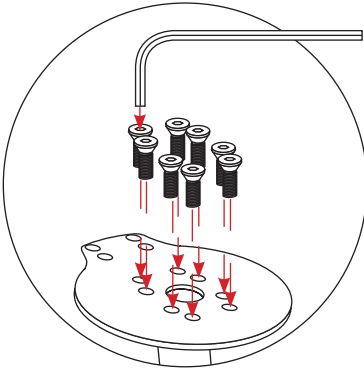
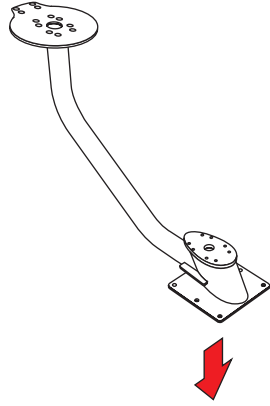
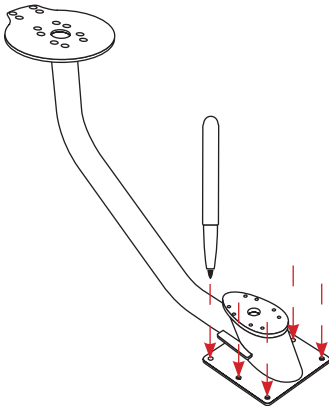
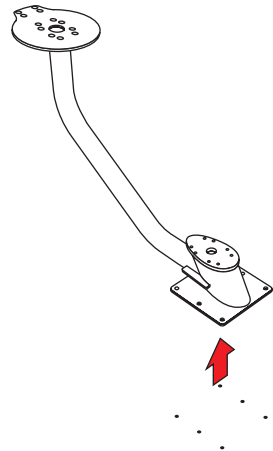


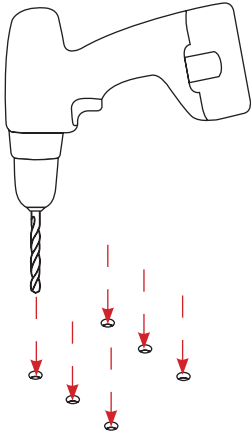
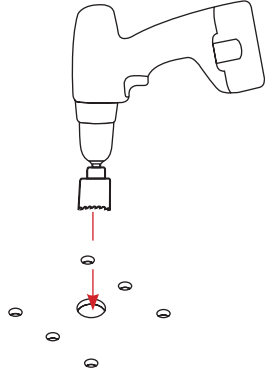
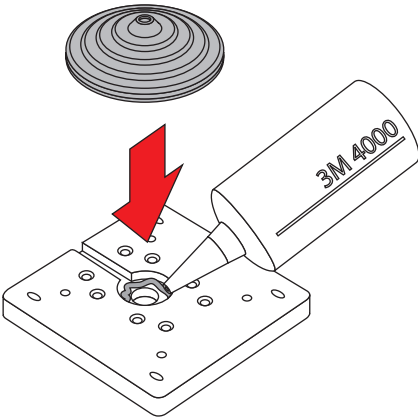
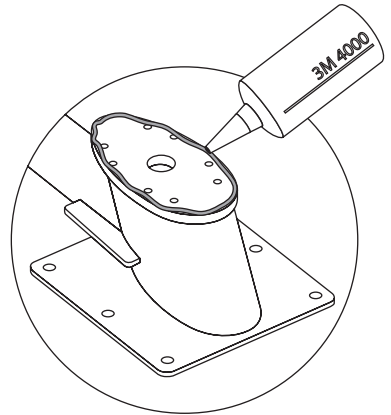
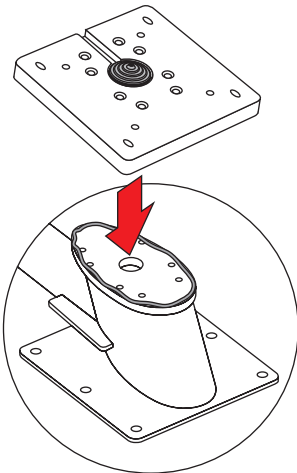
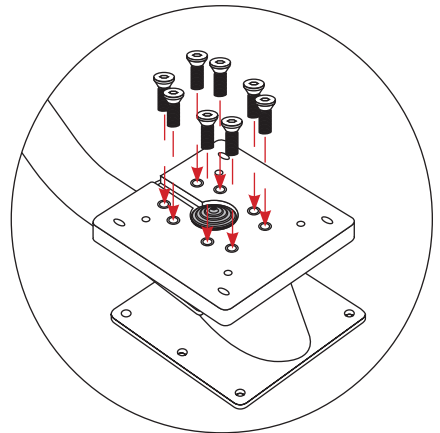
x6

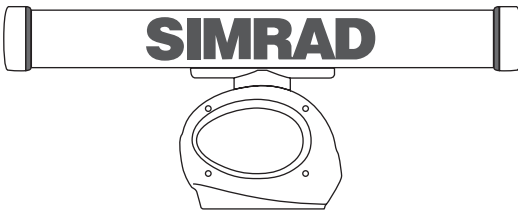


2" = 50mm

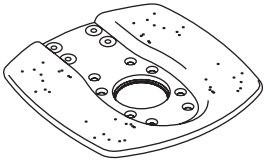
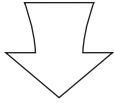


1**2****3****4****5****6**

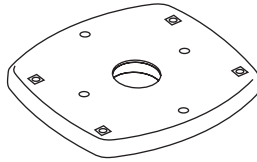
7**8****9****10****11****12**



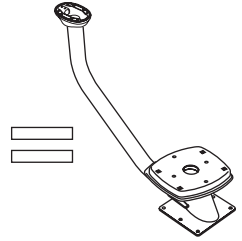
Simrad Halo™



#ADA-R1

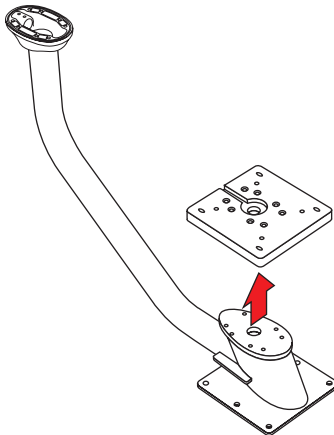


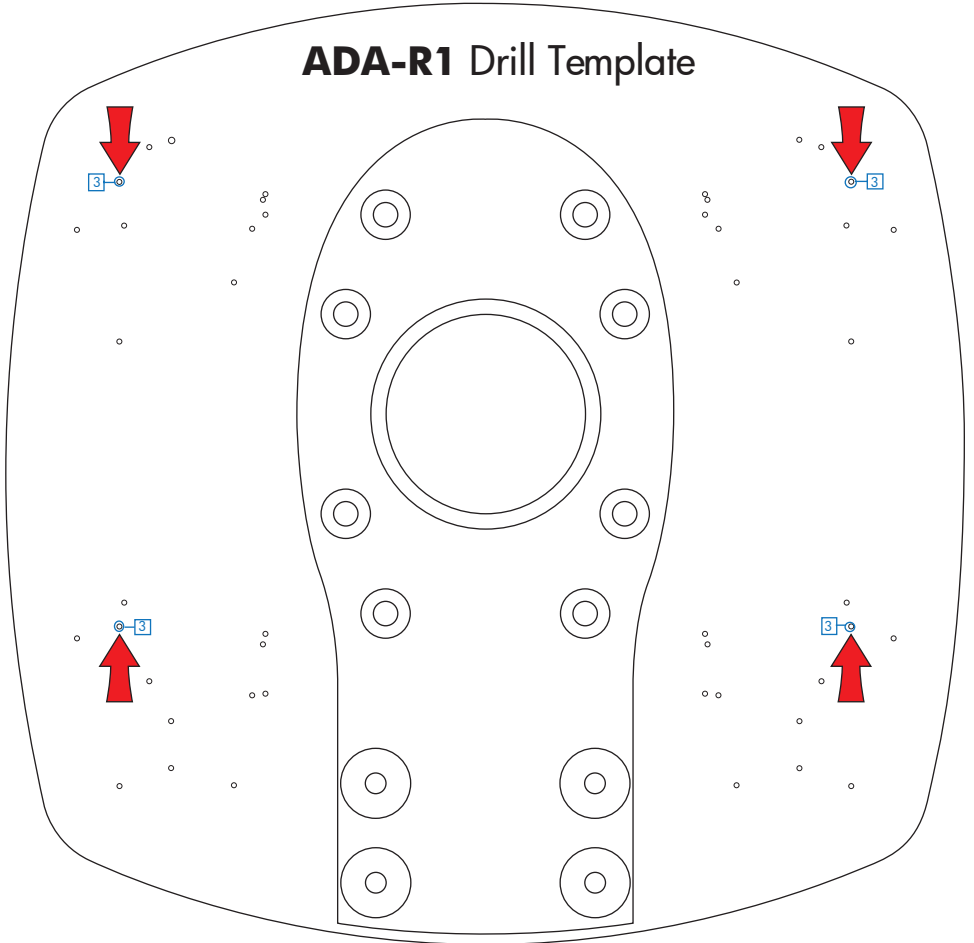
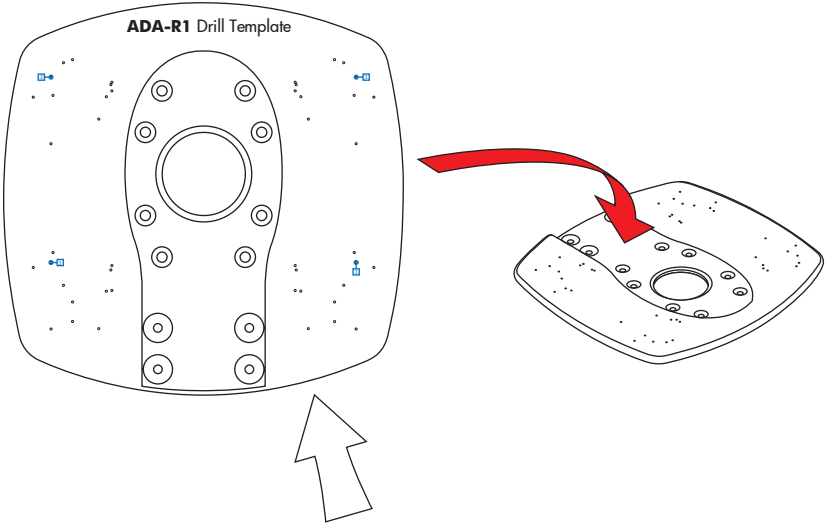
#ADA-HALO-3



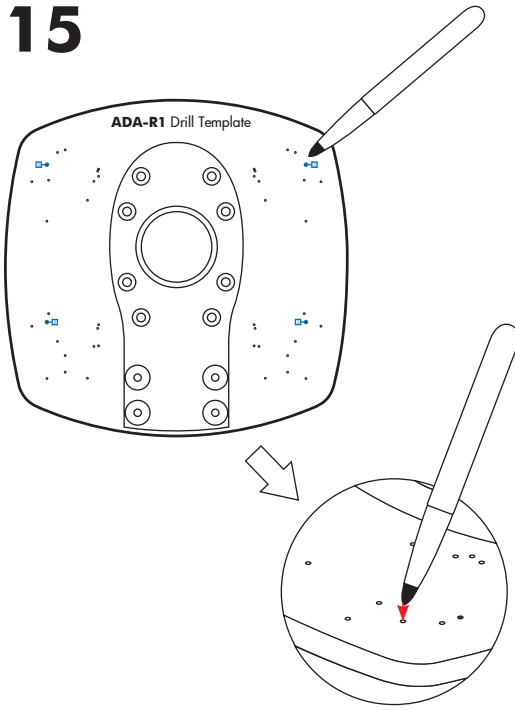
13 - 23

13

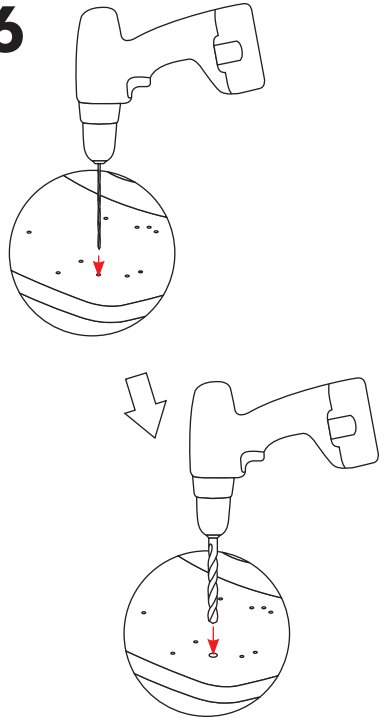




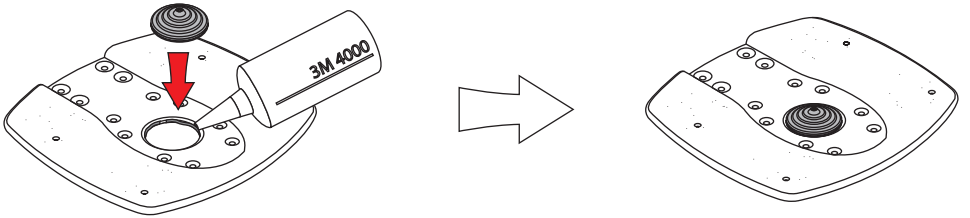
15



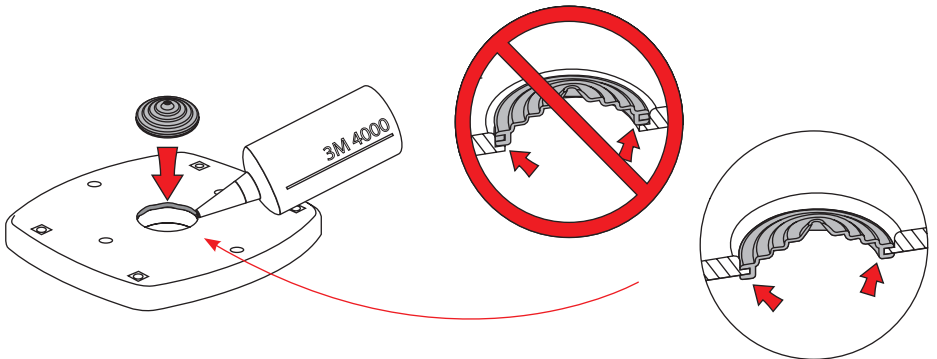
16



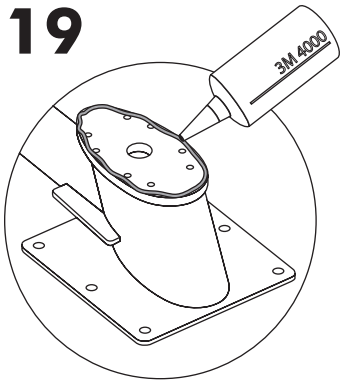
17



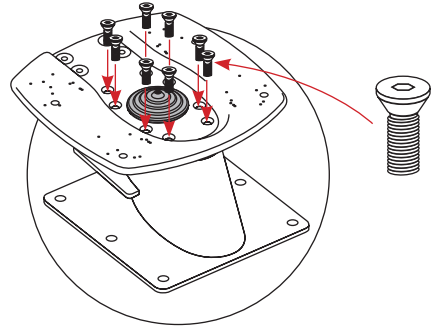
18



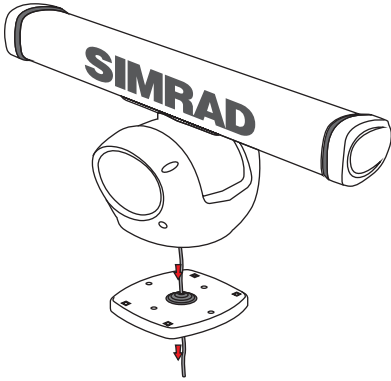
19



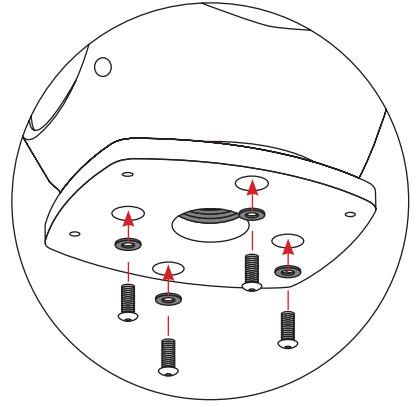
20



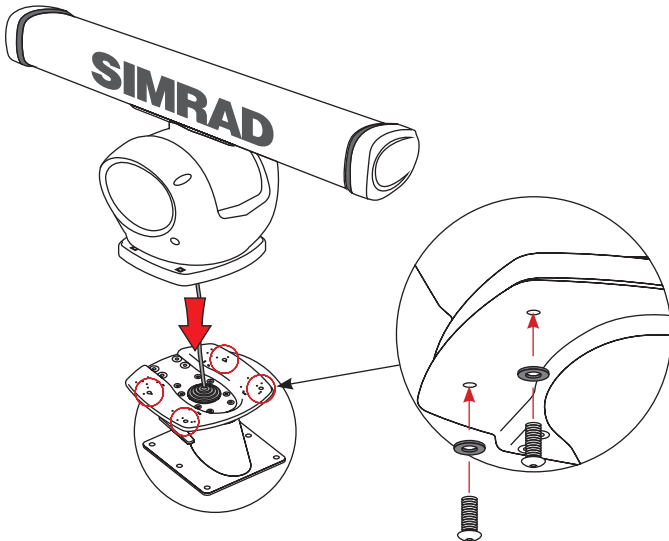
21



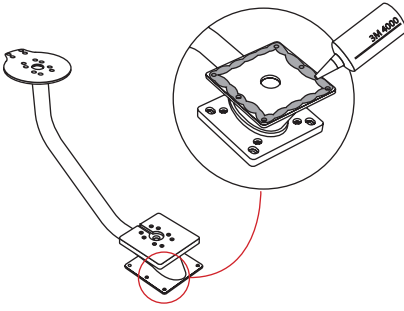
22



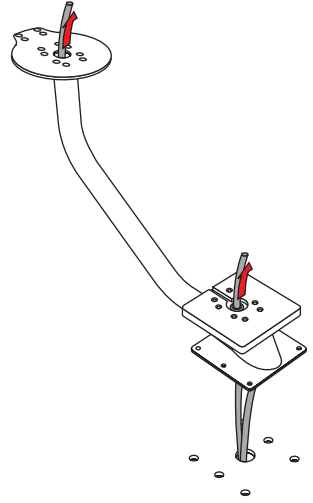
23



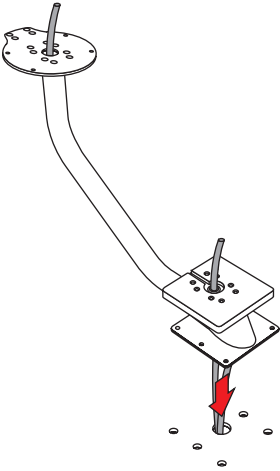
24



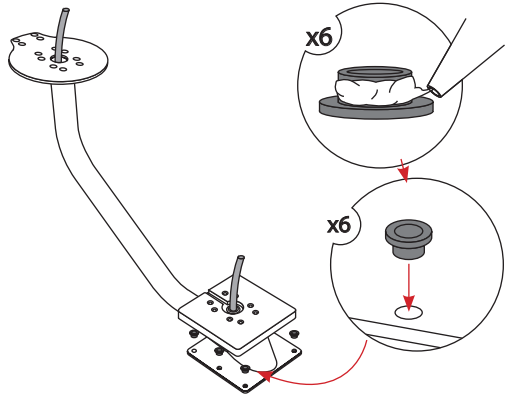
25



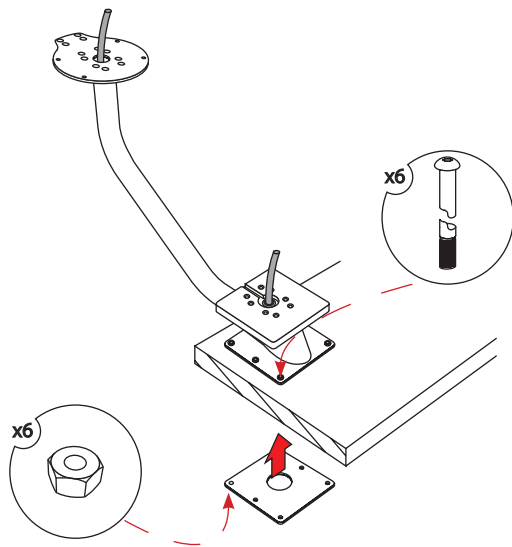
26



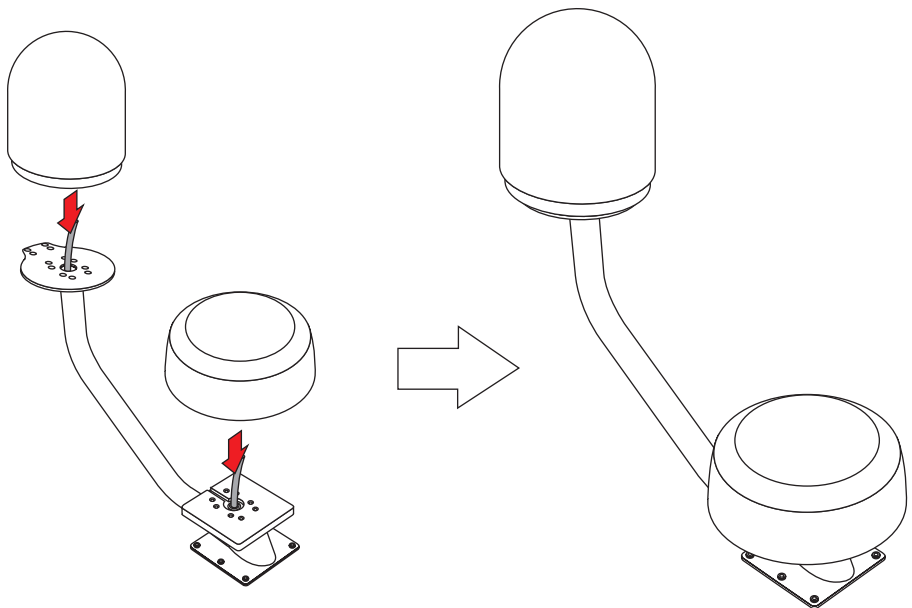
27

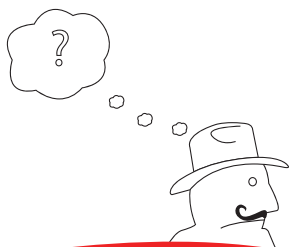


28



29





North American Office

12532 Beverly Park Road,
Lynnwood, WA 98087
Tel: 800-523-7558
Fax: 425-355-3661
www.seaviewglobal.com

European Office

Tel: +33 4 94 53 27 70
Fax: +33 4 94 53 26 62
ZI Du Capitou, 85 Rue Louis Lepine,
Frejus 83600 - France
www.seaviewprogress.com