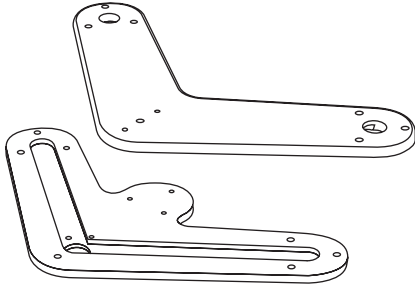
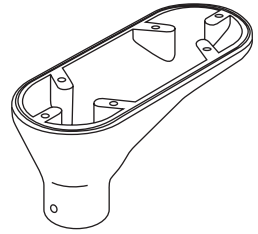


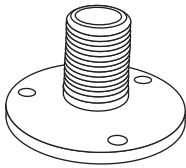
PM-U2A



x1



x1



x2

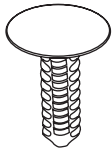


x6

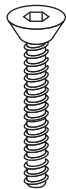
1/4 - 20



x6

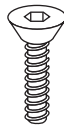


x2



x2

10 - 24 x 1"



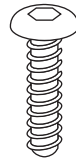
x5

10 - 24 x 5/8"



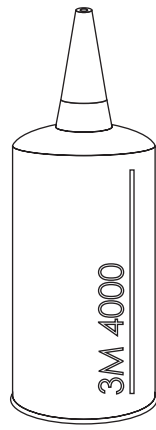
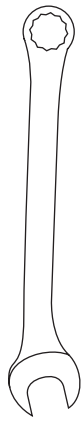
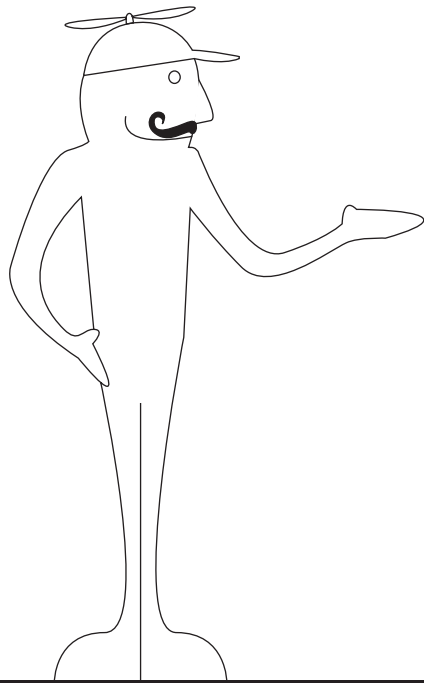
x2

10 - 24 x 1 1/4"

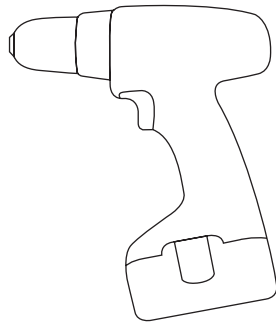
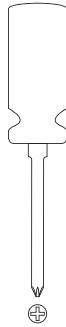


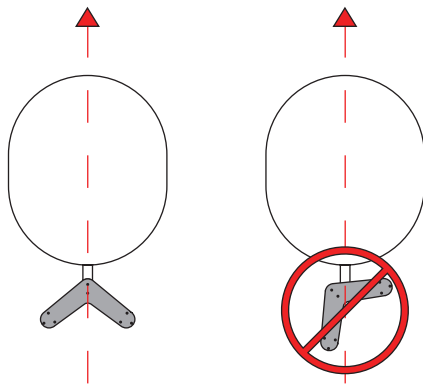
x6

1/4 - 20 x 1 1/4"

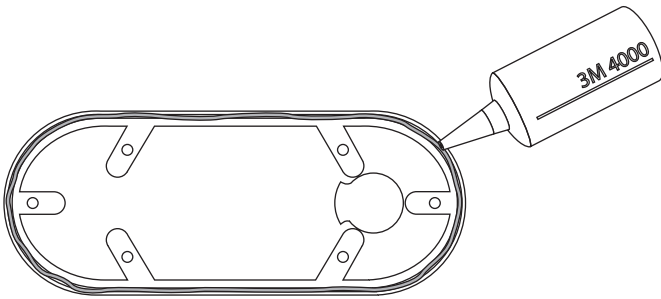


3M 4000 or equivalent

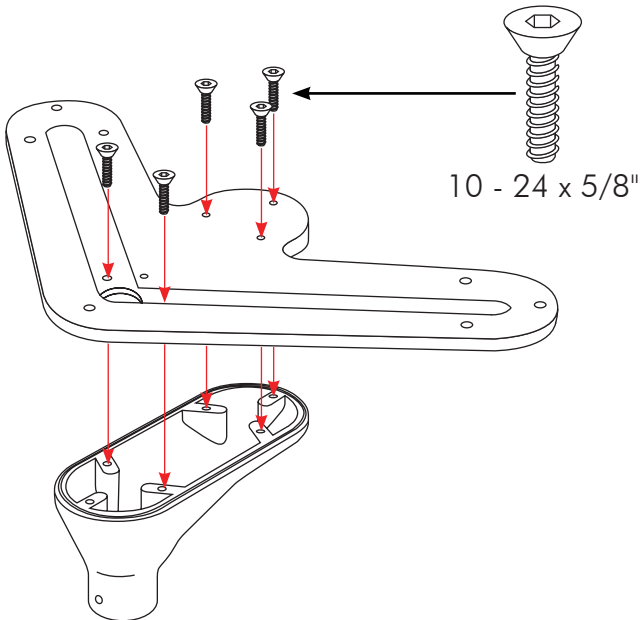




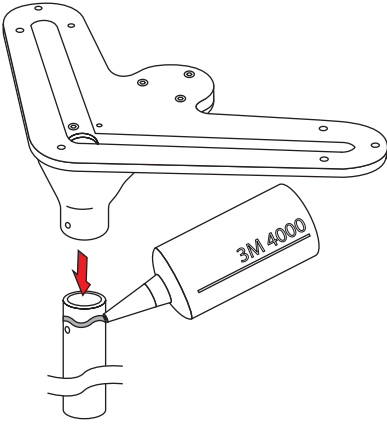
1



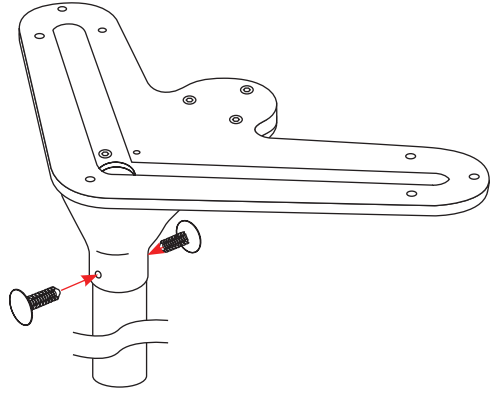
2



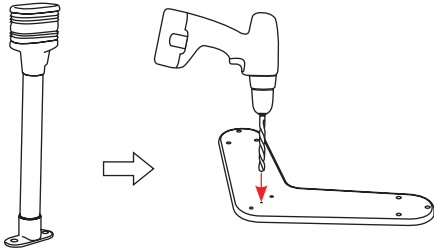
3



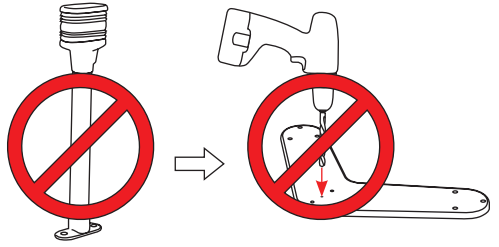
4



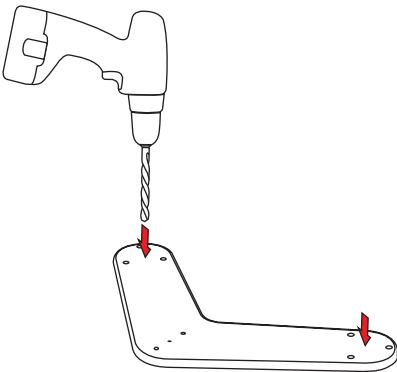
5A



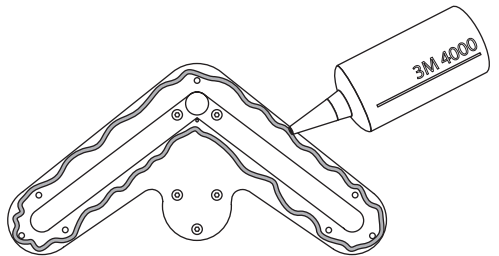
5B



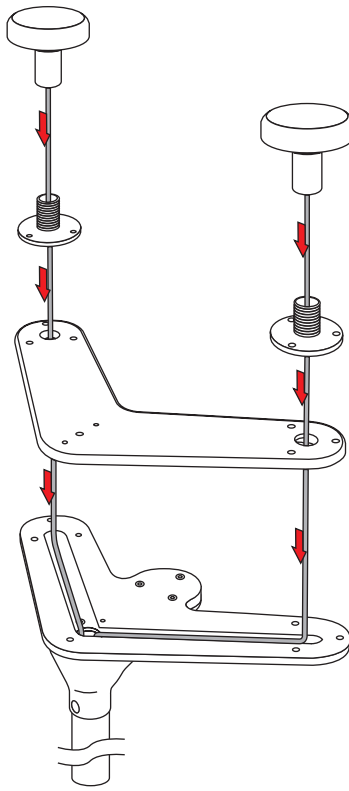
6



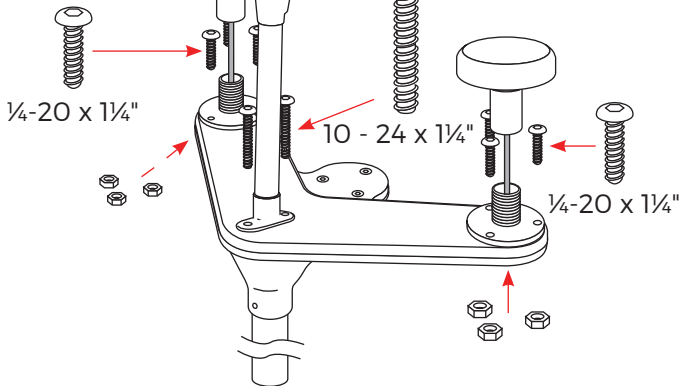
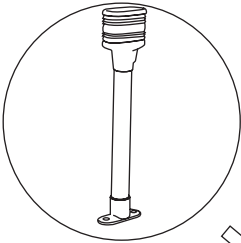
7



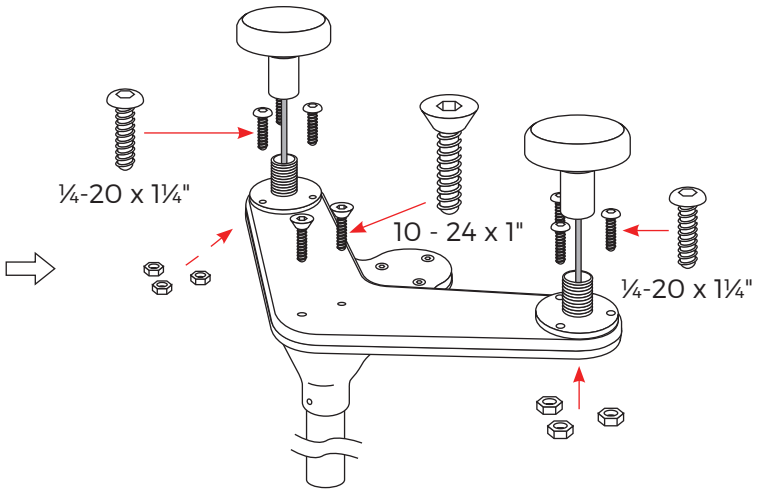
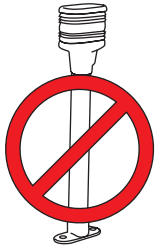
8



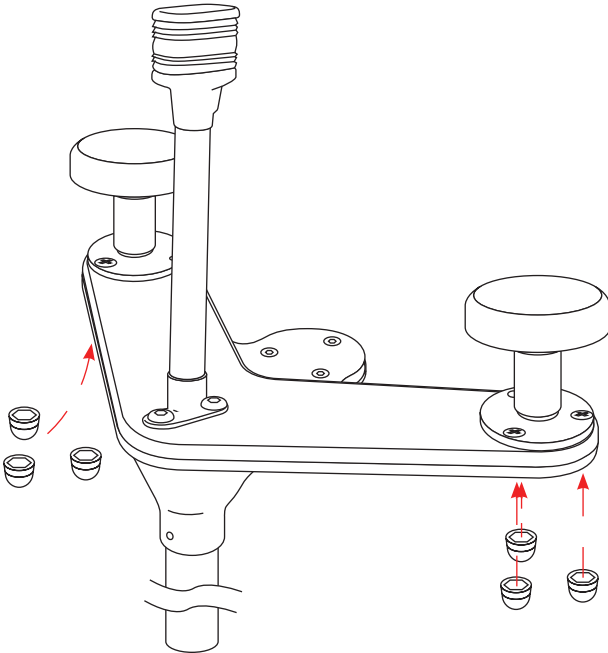
9A



9B



10





North American Office

12532 Beverly Park Road,
Lynnwood, WA 98087
Tel: 800-523-7558
Fax: 425-355-3661
www.seaviewglobal.com

European Office

Tel: +33 4 94 53 27 70
Fax: +33 4 94 53 26 62
ZI Du Capitou, 85 Rue Louis
Lepine, Frejus 83600 - France
www.seaviewprogress.com