

REVISION HISTORY			
REV	DATE	BY	DESCRIPTION
D	15DEC2017	NBK/VK	PRN: P2017-3066

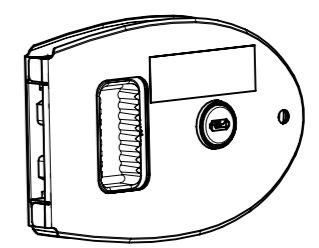
MATERIAL AND FINISH:

LOCK CASE: ALUMINIUM
 ESCUTCHEONS: 316L STAINLESS STEEL
 LOCK HOOKS: BRASS. NICKEL PLATED
 HANDLE: PA6.GF30. BLACK
 PRIVACY KNOB: PA6.6GF. BLACK
 LOCK CYLINDER: PA12GF. BRASS.POM
 SPRINGS: 304 STAINLESS STEEL
 SCREWS: 316 STAINLESS STEEL
 KNURL: BRASS. NICKEL PLATED
 SPRING BLADE: 316 STAINLESS STEEL
 HANDLE GASKET: DRAYFLEX. BLACK.
 LOCK CYLINDER COVER: THERMOPLASTIC ELASTOMER.BLACK.

NOTES:

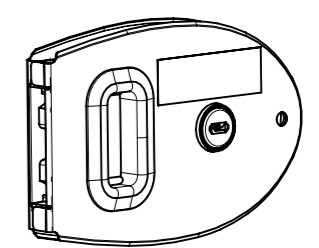
1. DOOR THICKNESS "C" 12.7MM [1/2"]
2. FOR PANEL PREPERATION INSTRUCTIONS SEE ON SHEET 2
3. SEE SOUTHCO MARINE HANDBOOK FOR MORE DETAILED INSTALLATION INSTRUCTIONS
4. VISIBLE RED DOT ON PRIVACY SLIDE INDICATES LATCH IS UNLOCKED
5. SEE H-MF-R2284 FOR KEYCODES.

OVAL FLUSH STANDARD
 [MF-01-310-24]



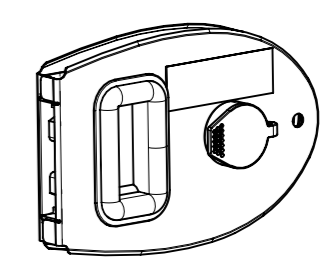
SCALE 3:10

OVAL FLUSH WEATHER PROOF
 [MF-02-310-24]

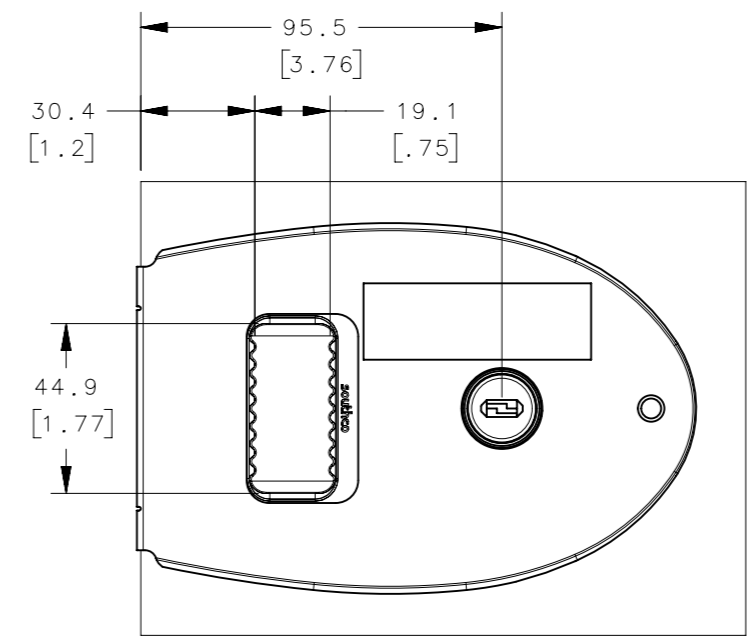
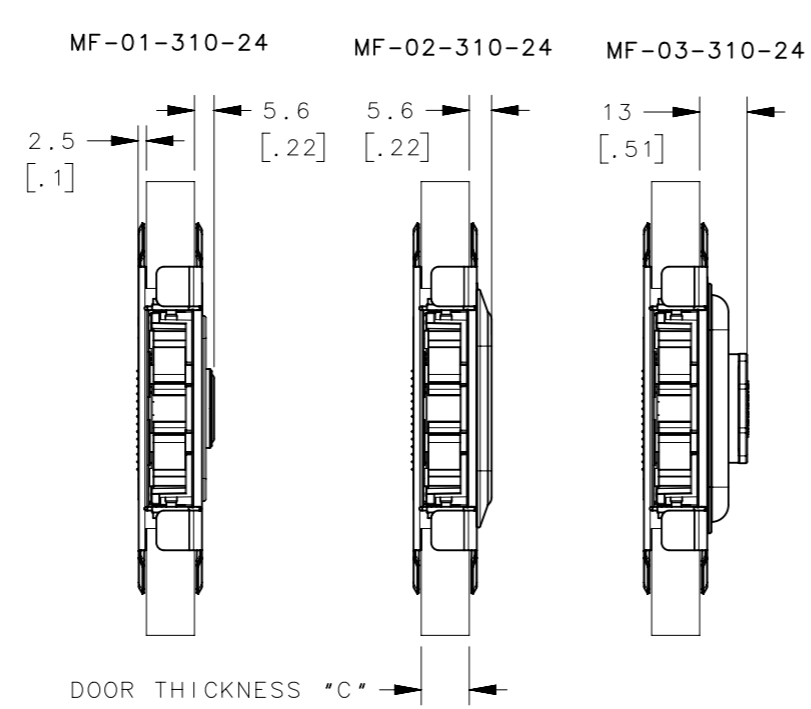
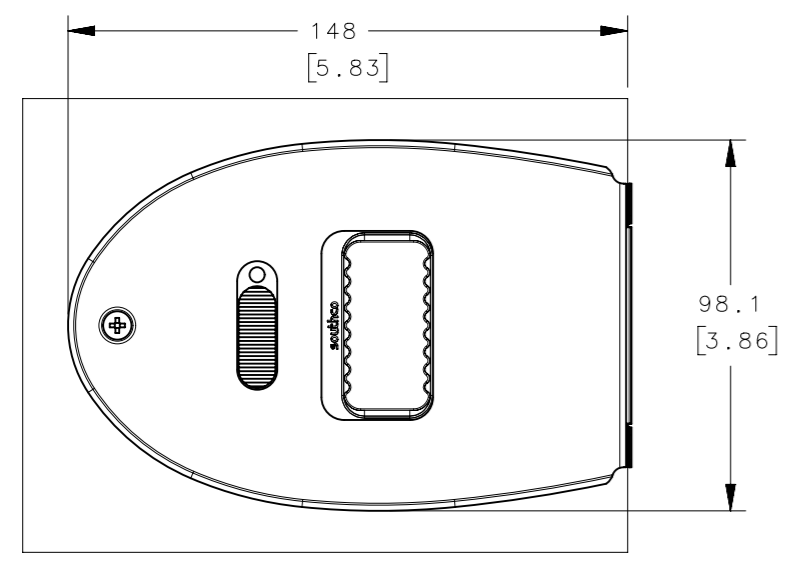
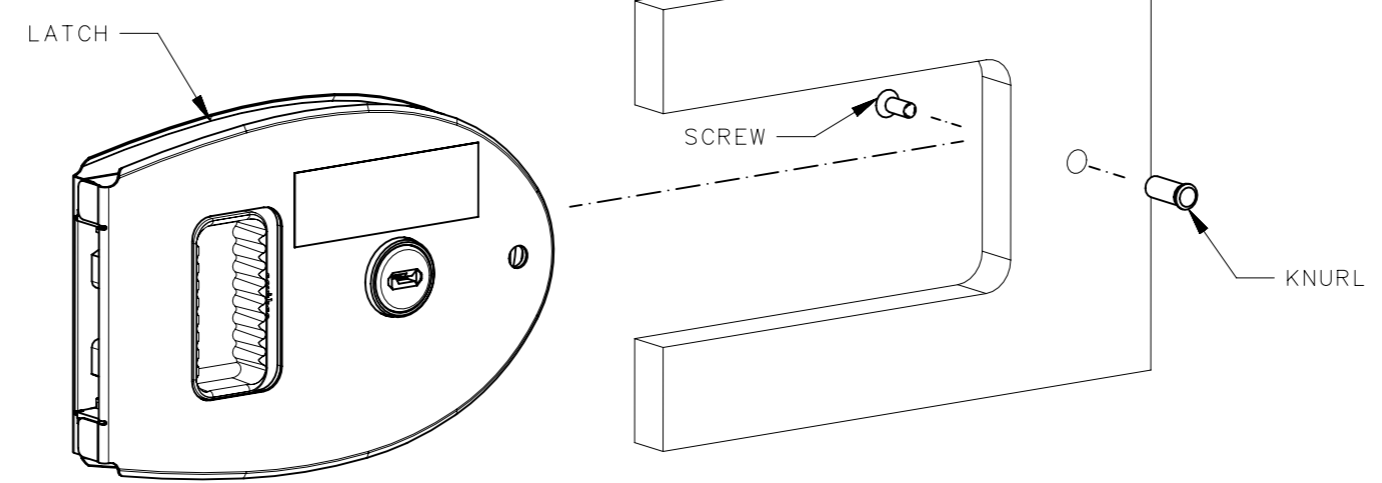
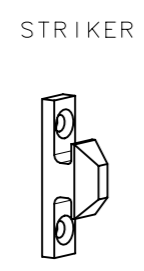


SCALE 3:10

OVAL FLUSH WATERTIGHT
 [MF-03-310-24]



SCALE 3:10



PART NUMBER SYSTEM
 MF-XX-110-24-YY

PRODUCT (XX)

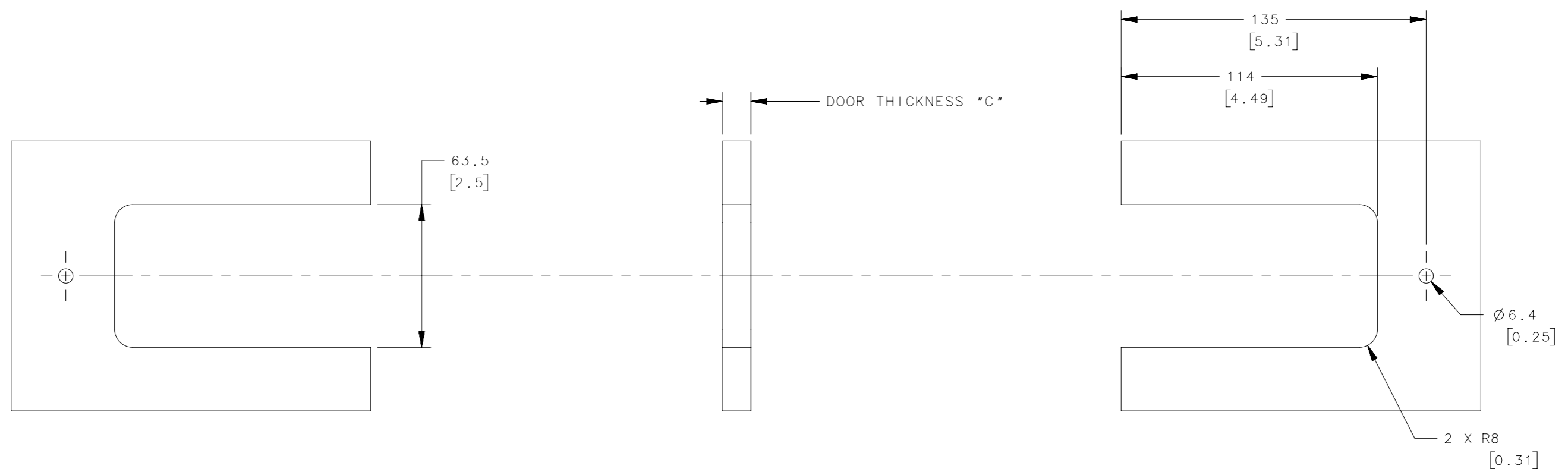
KEYCODES (YY)

OMITS FOR SINGLE KEYCODE
 -10 FOR 10 DIFFERENT KEYCODES

- 01 - FLUSH OVAL STANDARD
- 02 - FLUSH OVAL WEATHER PROOF
- 03 - FLUSH OVAL WATERTIGHT

THIRD ANGLE PROJECTION							
							CONNECT • CREATE • INNOVATE
MILLIMETERS [IN]	TOLERANCES UNLESS OTHERWISE NOTED			DESCRIPTION			
ALL DIMENSIONS WITHOUT TOLERANCES ARE FOR REFERENCE ONLY.	SIZE	SYSTEM	DWG NO.	FLUSH OVAL STAINLESS STEEL			
PER ASME Y14.5M-1994	A3	NX	J-MF-XX-310-24	DRAWN BY	DATE	SCALE	SHEET
PROPRIETARY ITEM EXCEPT FOR USES EXPRESSLY GRANTED IN WRITING, INFORMATION DISCLOSED HEREON IS CONFIDENTIAL AND ALL RIGHTS, PATENT AND OTHERWISE, ARE RESERVED BY SOUTHCO, INC.	MF/HJ	16OCT2009	1:2	1 OF 2			

REVISION HISTORY			
REV	DATE	BY	DESCRIPTION
D	15DEC2017	NBK/VK	PRN: P2017-3066



NOTES:
 PANEL PREPERATION FOR ASSEMBLIES MF-XX-310-24

THIRD ANGLE PROJECTION		 CONNECT • CREATE • INNOVATE	
MILLIMETERS [IN]			
TOLERANCES UNLESS OTHERWISE NOTED		DESCRIPTION FLUSH OVAL STAINLESS STEEL	
ALL DIMENSIONS WITHOUT TOLERANCES ARE FOR REFERENCE ONLY.		SIZE A3	SYSTEM NX
PROPRIETARY ITEM <small>EXCEPT FOR USES EXPRESSLY GRANTED IN WRITING, INFORMATION DISCLOSED HEREON IS CONFIDENTIAL AND ALL RIGHTS, PATENT AND OTHERWISE, ARE RESERVED BY SOUTHCO, INC.</small>		DWG NO. J-MF-XX-310-24	DATE 16OCT2009
PER ASME Y14.5M-1994		DRAWN BY MF/HJ	SCALE 1:2
		DATE 16OCT2009	SHEET 2 OF 2