



SEAL PACKAGE # 222222

SeaStar Power Steering Cylinders 01/93-11/95

NOTICE

You will also require Seal Package # 222221 from the kit to complete this installation.

CAUTION

DO NOT remove C-Clip from the tube. Doing so may result in loss of steering causing property damage and/or personal injury.

ITEM	PART #	QTY	DESCRIPTION
*1	826722	2	Back-Up Ring
*2	003121	2	O-Ring
3	346120	2	Back-Up Ring
4	225320	2	Quad Ring
*5	014523	2	O-Ring
*6	026621	2	U-Cup

* Seals common to ALL Cylinders. Located in seal package # 222221.

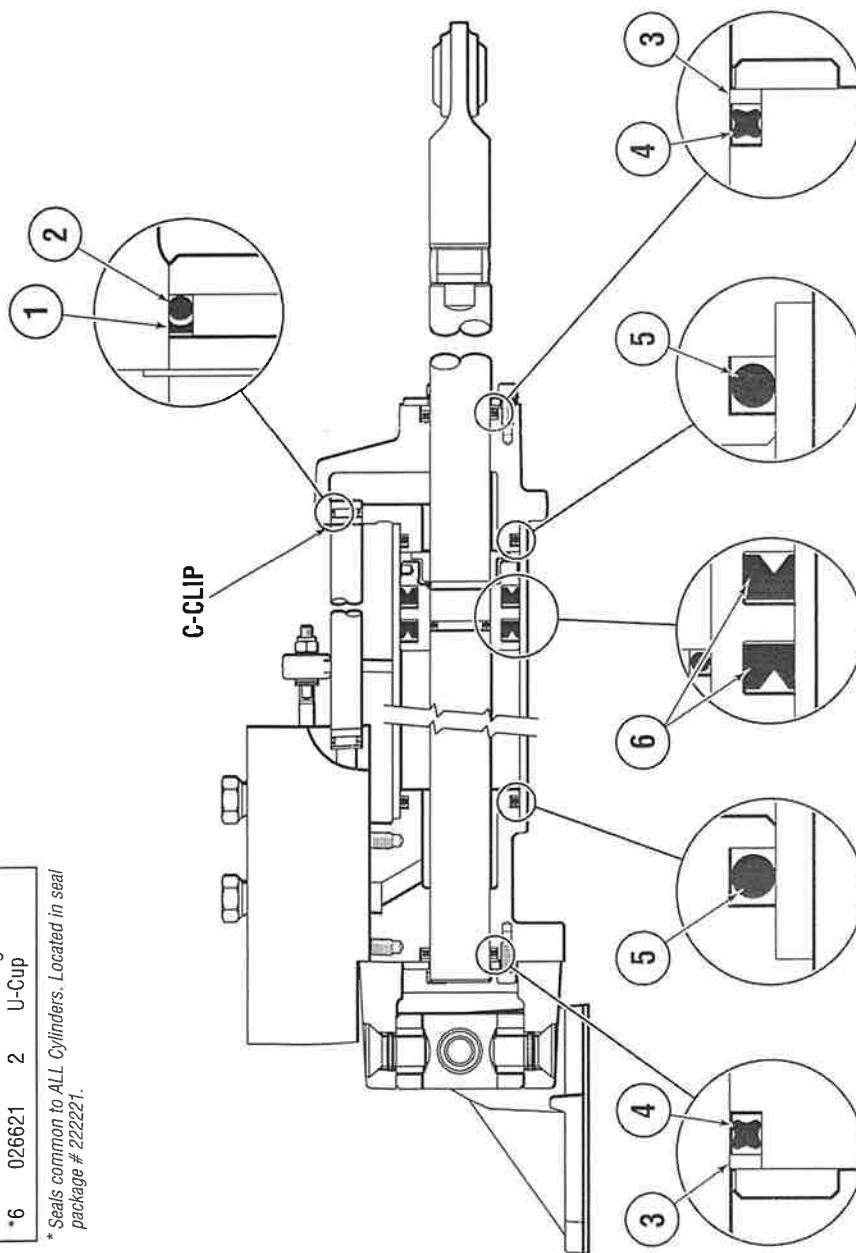


Figure A.



SEAL PACKAGE # 222223

SeaStar Power Steering Cylinders 11/95-07/02

NOTICE

You will also require Seal Package # 222221 from the kit to complete this installation.

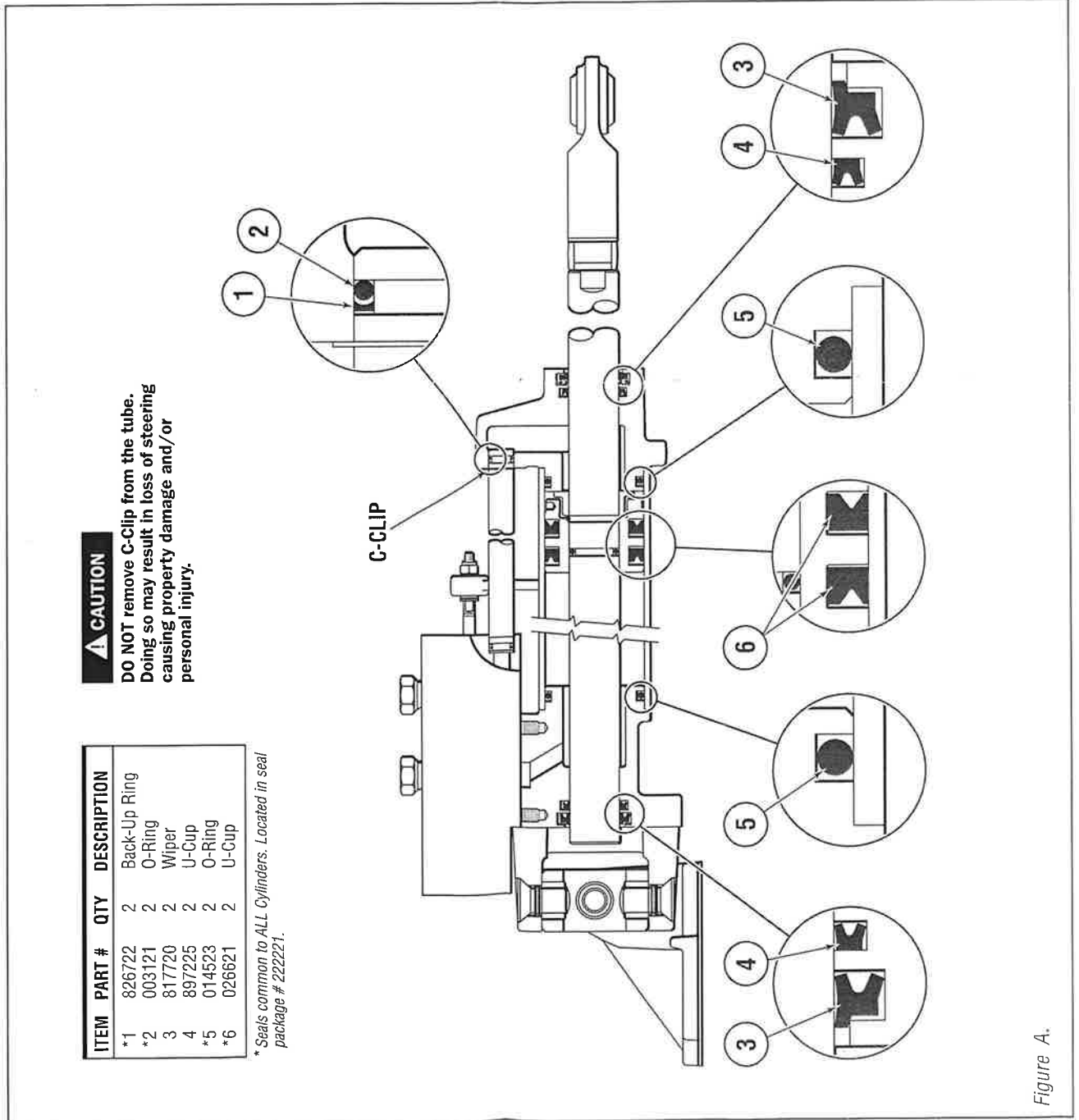
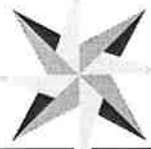


Figure A.



SEAL PACKAGE # 222224

SeaStar Power Steering Cylinders 07/02–Date

NOTICE

You will also require Seal Package # 222221 from the kit to complete this installation.

CAUTION

DO NOT remove C-Clip from the tube. Doing so may result in loss of steering causing property damage and/or personal injury.

ITEM #	PART #	QTY	DESCRIPTION
*1	826722	2	Back-Up Ring
*2	003121	2	O-Ring
3	817720	2	Wiper
4	201435	2	U-Cup
*5	014523	2	O-Ring
*6	026621	2	U-Cup

* Seals common to ALL Cylinders. Located in seal package # 222221.

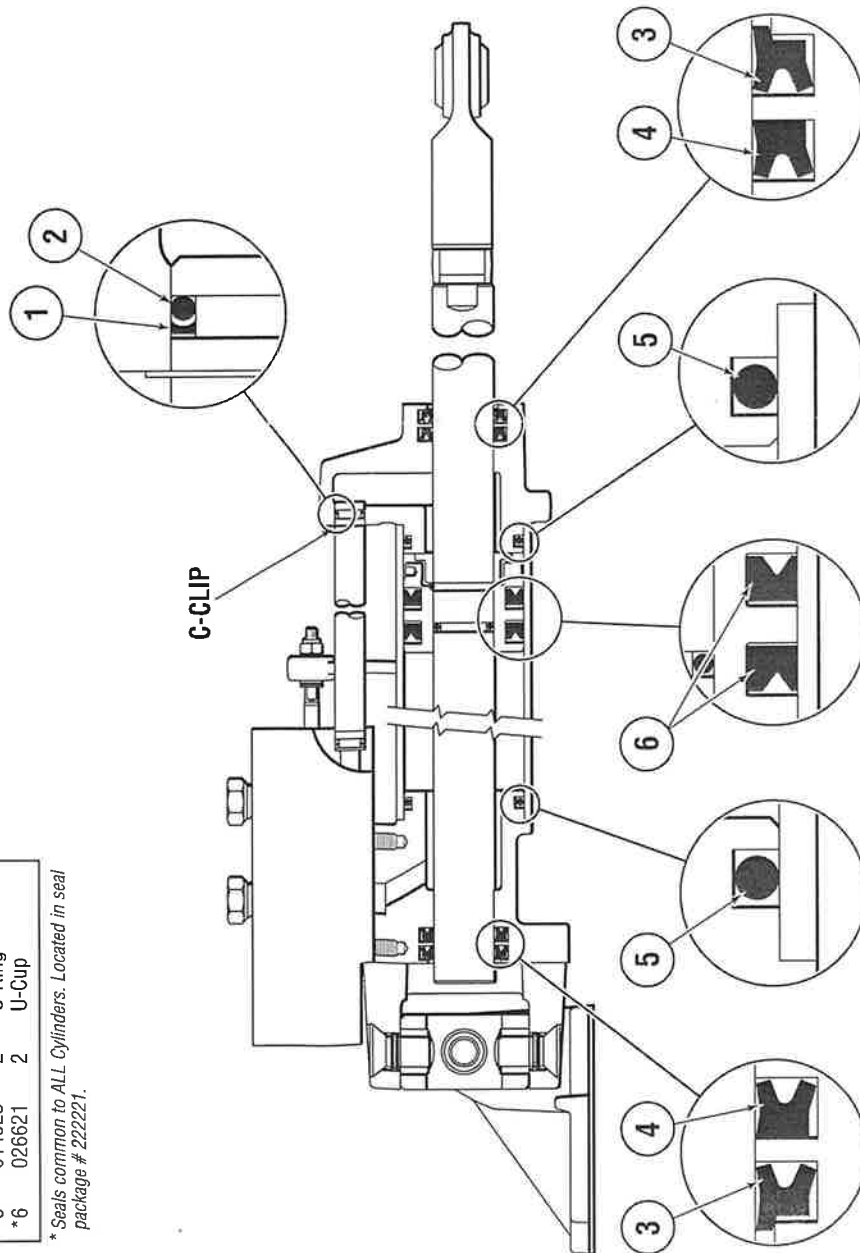


Figure A.



SEAL PACKAGE # 222225

SeaStar Power Steering Cylinders 01/03-DATE

NOTICE

You will also require Seal Package # 222221 from the kit to complete this installation.

CAUTION

DO NOT remove C-Clip from the tube. Doing so may result in loss of steering causing property damage and/or personal injury.

ITEM #	PART #	QTY	DESCRIPTION
*1	826722	2	Back-Up Ring
*2	003121	2	O-Ring
3	700075	2	Wiper
4	201435	2	U-Cup
*5	014523	2	O-Ring
*6	026621	2	U-Cup

* Seals common to ALL Cylinders. Located in seal package # 222221.

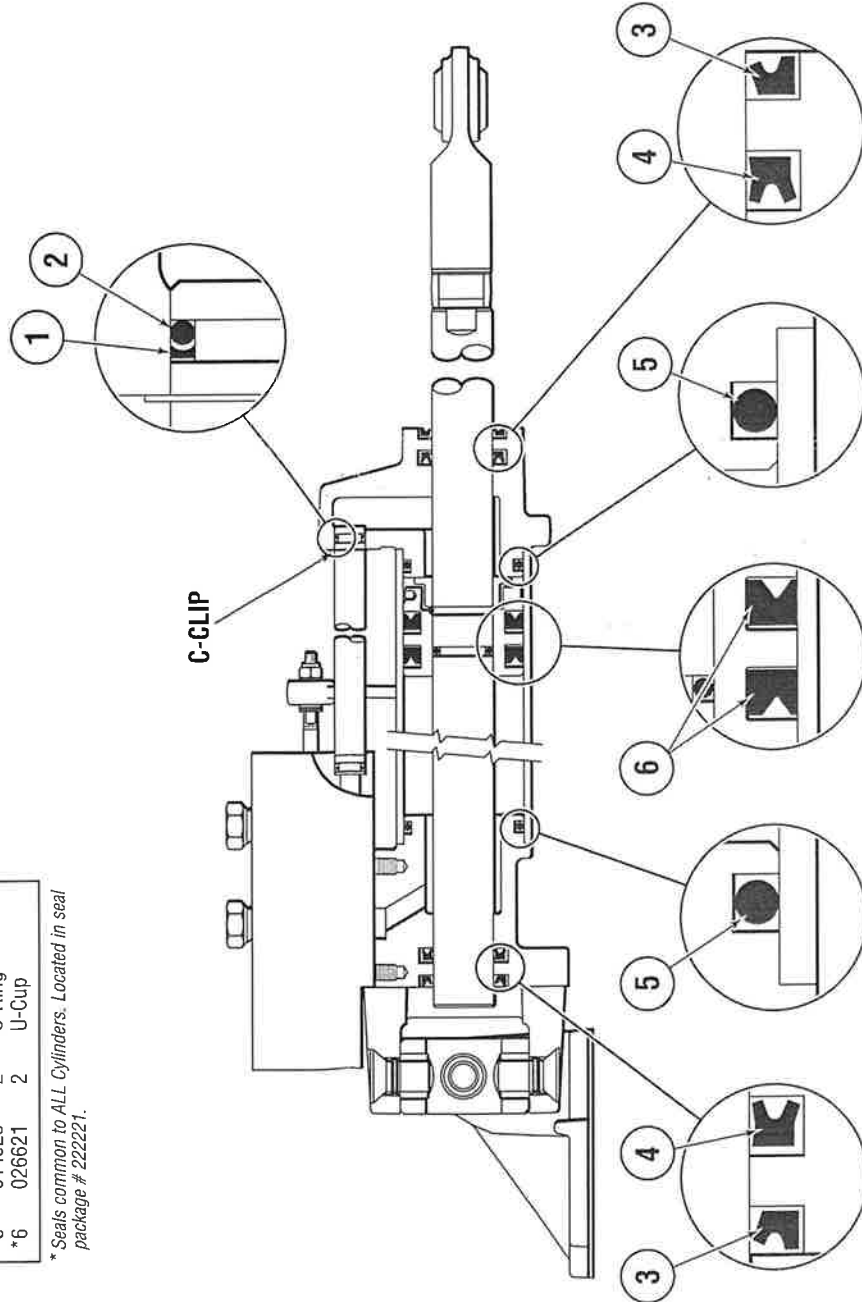


Figure A.