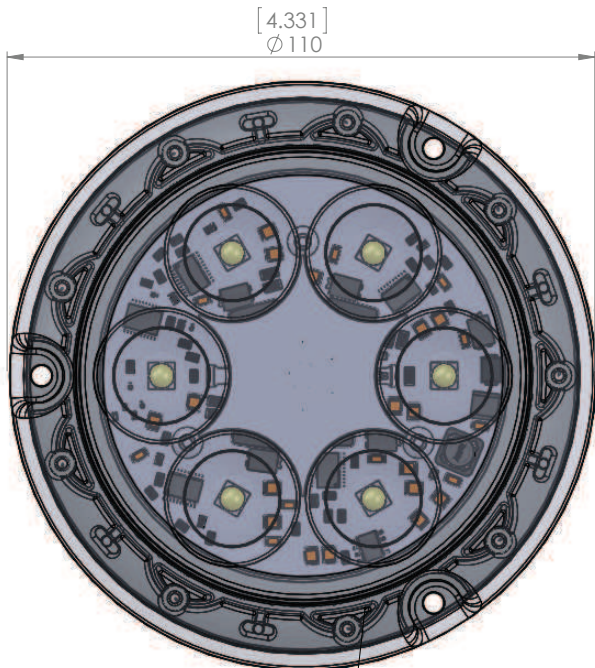


A B C D E F G H I J K



[4.331]
Ø110

[0.693]
17.60

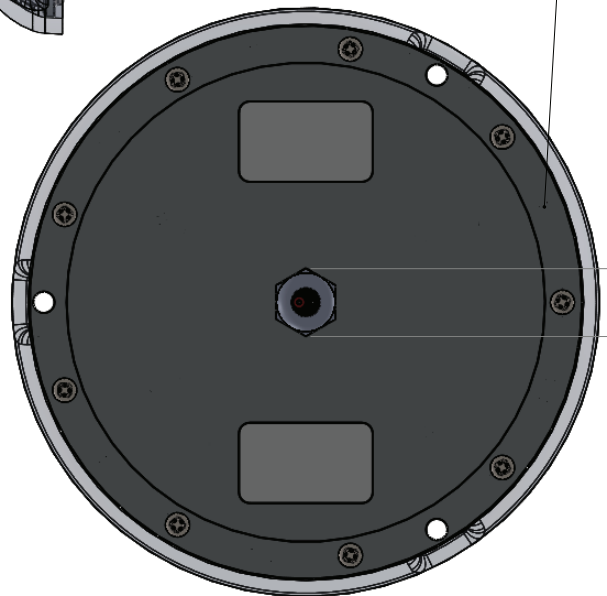
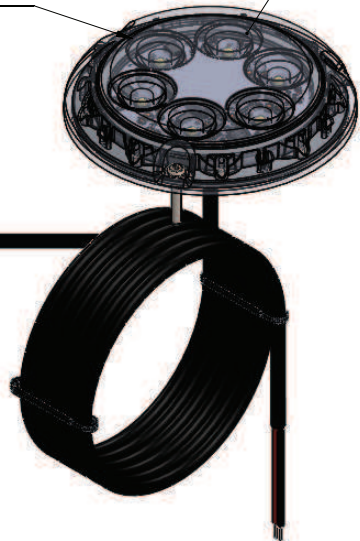
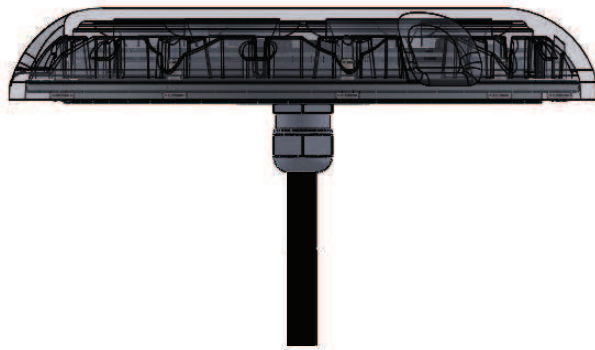
LENS: 3mm HIGH IMPACT POLYMER WITH ANTI STICK COATING

60° BEAM,ANGLE

IP68 CABLE CLAND

SEALANT TRACK

MOUNTING HOLES 98mm PCD
MOUNTING SCREWS No. 6x25mm



[0.500]
Ø13 MINIMUM
HOLE DIAMETER

LUMENS	2700
MAX WATTAGE	50
NO. OF LEDs	6
@ 12V	4.0
@ 24V	2.0
BEAM ANGLE	60 Deg FWHM
LIGHT DIA	110mm (4.3")
LIGHT HEAD HEIGHT	17.6mm (0.7")
LIGHT OVERALL LENGTH	30mm (1.18")
MOUNT HOLE PCD	98mm (3.86")
HULL CUTOFF DIA	13mm (0.5")
LIGHT APERTURE	70mm (2.76")
WEIGHT	540gm
LENS	3mm HIGH IMPACT POLYMER WITH ANTI STICK COATING

THIRD ANGLE PROJECTION Sheet. 2 of 3 Scale. 1:1 A3

Bluefin LED
Underwater Lighting

ALL DIMENSIONS ARE IN MILLIMETERS
TOLERANCES ON CASTINGS, UNMACHINED PARTS AND FABRICATIONS, +/- 0.8
TOLERANCES ON MACHINED DIMENSIONS
WHOLE UNITS +/- 0.25
ONE DEC. PLACE +/- 0.1
TWO DEC. PLACE +/- 0.05
ANGLES +/- 0.5 DEG.

Iss	Rev	Status	Date	Change	Drawn	Chk'd	Appv'd
-	-	See Sheet 1	-	-	-	-	-

ALL UNSPECIFIED CHAMFERS 1 x 45
BREAK ALL SHARP EDGES 0.1 TO 0.5

Notes.

Description.	Iss.	Rev.	Status.
Material.	B00	A	RELEASED
Finish.			
DWG No.			
GAA-0114 Iss B00A			

© 2014 COASTLINE LED THIS DOCUMENT MUST NOT BE REPRODUCED IN WHOLE OR IN PART AND MUST NOT BE USED OR DISCLOSED WITHOUT THE WRITTEN AUTHORISATION OF COASTLINE LED. NO DEVIATION FROM THIS DRAWING IS PERMISSABLE WITHOUT WRITTEN AUTHORISATION FROM COASTLINE LED.

PPN.