

Hose Ø7 x Ø5 x 1100

Spray nozzle

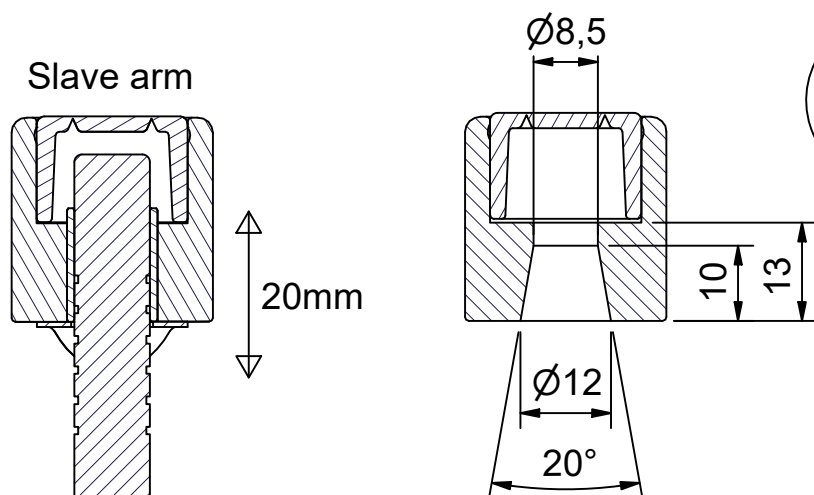


Table		
Compl.no.	Treatment	Length
536330	EP	470-750
538330	Black	470-750

Pantograph type - single drive V1 200323/LW
 Description Item no.
Wiper arm 536330-8330