



Assembly Instructions for Boat Seats

Form 12.110

ASSEMBLY INSTRUCTIONS

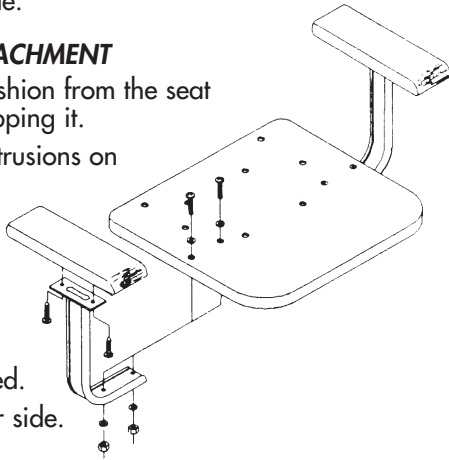
This instruction sheet is designed to aid in the assembly of several boat seat models. For the assembly of your particular seat, simply follow the sections below that pertain to it.

ARM REST ATTACHMENT

1. Position the arm rest on the flat plates of the arm extrusions so that its contoured end will face forward when mounted to the seat.
2. Align the holes of the flat plate and arm rest; secure with two #14x1" stainless steel sheet metal screws.
3. Repeat for other side.

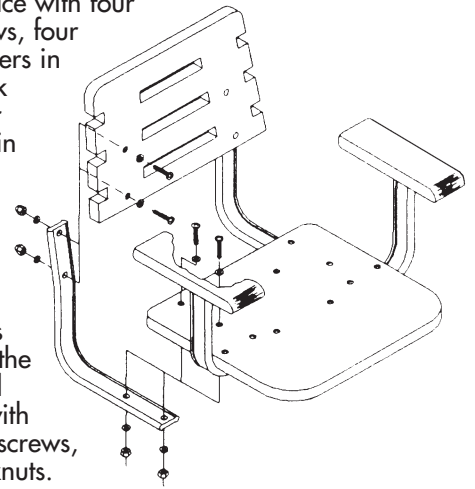
ARM EXTRUSION ATTACHMENT

1. Remove the seat cushion from the seat substrate by unsnapping it.
2. Position the arm extrusions on the seat bottom by aligning the holes of both. Secure the arm rest in place with two 1/4-20 x 1 1/2" screws, washers and locknuts as illustrated.
3. Repeat for the other side.



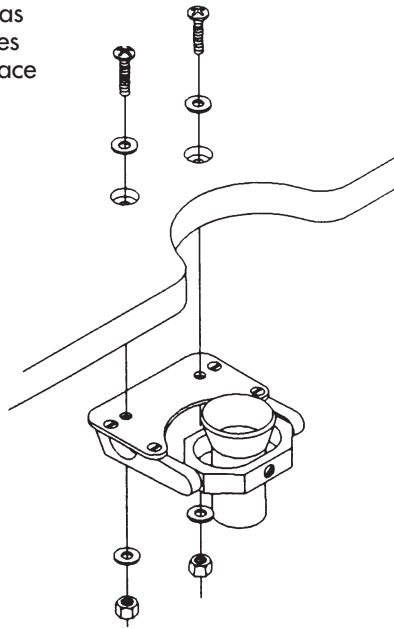
SEAT BACK ATTACHMENT

1. Remove the seat back cushions by unsnapping them from the seat back substrate.
2. Position a seat back extrusion on the seat bottom as illustrated. Align the holes of both and secure in place with four 1/4-20 x 1 1/4" screws, four 1/4" hole flat washers in front, four 1/4" lock washers and four 1/4-20 acorn nuts in back.
3. Repeat for the other extrusion.
4. Position the seatback on the seat extrusions as illustrated. Align the holes in both and secure in place with four 1/4-20 x 1 1/2" screws, washers and locknuts.



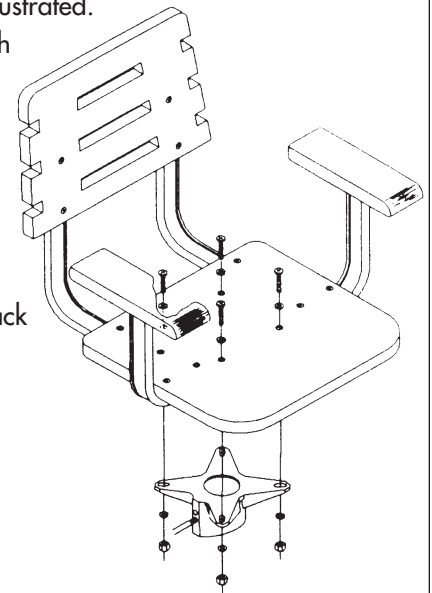
GIMBAL ATTACHMENT

1. Position gimbal on seat as illustrated. Align the holes in both and secure in place with two 1/4-20 x 1 1/2" screws, washers and locknuts as shown.



SEAT ATTACHMENT

1. Position seat on seat slide or mounting spider as illustrated.
2. Align the holes in both and secure in place with hardware. (Note: Hardware is not supplied as the type needed may vary.)
3. Mount seat to boat's hardware.
4. Re-attach seat and back cushions.



CARE & MAINTENANCE

CAUTION: The vinyl seat cushions should only be cleaned with a mild soap and a non-abrasive sponge or cloth.

Write for
a Complete
EE3-In Catalog

GARELICK
PO Box 8, 644 2nd Street
St. Paul Park, Minnesota 55071

Phone: 651-459-9795
E-mail: mail@garelick.com
On the Web: www.garelick.com