

3400 SERIES ACCUMULATOR TANK **GENNERAL INSTALLATION INSTRUCTIONS**

This manual does not address water boost applications. For help, please contact SHURflo.

Read this manual carefully. Failure to follow instructions could cause serious bodily injury and/or property damage. **Do not exceed 100 psi [6.8 bar] on the 3400 series.**

WARNING: Hazardous pressure. To prevent possible serious or fatal injury and/or damage to equipment, system pressure **MUST BE LESS THAN 100** pounds per square inch (psi) [6.8 bar] under any circumstances. Failure to follow instruction can result in tank blowup. If system discharge pressure can exceed 100 psi [6.8 bar], install a relief valve capable of passing the full pump volume at 100 psi [6.8 bar]. Install relief valve in pump supply line to tank, as close to tank as possible. Consult installer or licensed plumber for correct relief valve. Install system according to local codes.

The SHURflo Accumulator tank is a bag-type pressure storage vessel and/or a pulsation dampening device.

The accumulator is precharged to 20 psi [1.4 bar] for shipping. Do not exceed this pressure for long-term storage, shipping or system non-use.

An accumulator placed in the pressurized side of a potable water or reverse osmosis system (with a demand pump), can minimize pump cycling. The accumulator contributes to longer pump life, less noise, less amperage draw, and reduced water pulsation. The most efficient use of the accumulator occurs with the precharge pressure set at the SAME pressure as the pumps' pressure switch "turn ON" setting. Typically, a 40 psi [2.7 bar] pump will "turn ON" at 20 psi [1.4 bar]. Therefore, the precharge should also be 20 psi [1.4 bar]. The precharge must be set in a "static" condition (pump off and at least one water fixture opened to atmosphere).

NOTE: If the accumulator precharge exceeds the pump "turn ON" pressure by "a couple of psi," the volume of pressurized liquid within the accumulator will be reduced.

- The precharge valve stem cap **MUST** be tight to prevent a leak down of pressure. It is recommended the precharge be checked on a monthly basis.
- The accumulator may be mounted anywhere in the pressurized cold water side of the plumbing. The port is non-directional in flow, allowing mounting in any position.
- **CAUTION:** Do not freeze or mount near a high heat source. Extreme temperatures may lead to tank explosion and serious injury.

GENERAL INFORMATION

- Keep safety labels in good condition. Replace missing or damaged safety labels.
- When servicing tank, BE SURE the pump (power source) is disconnected. Release all water pressure before working on tank or system. Release all precharge pressure by depressing the valve core.
- In areas where temperature is high for long periods of time, tank precharge may increase. This may reduce tank drawdown (amount of stored water at pressure). If this occurs, reduce precharge pressure 2 psi [14kPa] below pump "turn ON" pressure. Cold temperatures may require more air pressure.

TO CHECK TANK AIR CHARGE

If drawdown decreases significantly, check as follows:

1. Shut off electric power to pump, open faucet near tank, and drain completely.
2. At air valve, check precharge with tire gauge. Precharge should be at pump "turn ON" pressure setting.
3. If precharge is more than 2 psi [14kPa] below the "turn ON" pressure, add air to tank. Use air compressor or portable air storage tank. If precharge is above "turn ON" pressure, bleed off the appropriate amount.
4. Use soap or liquid detergent to check for air leaks around air valve. Continuous bubbling indicates leak. If necessary, install new core in air valve (same as used for automobile tires).
5. If tank is filled with water (waterlogged), the bladder is leaking. Replace bladder.

MOUNTING

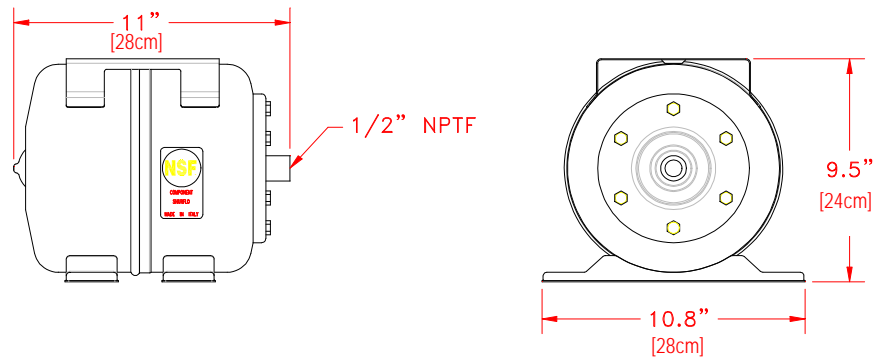
The Two Gallon (7.6ltr) and Six Gallon (22.7ltr) Accumulator Tank can be mounted using four proper length 3/8" (9.5mm) bolts. Be certain there is no excess stress on plumbing connections. All tanks should be securely mounted to a solid foundation. Pump can be mounted on top of tank or beside it.

OPTIONAL APPLICATIONS

When used as a dampening device/water hammer or noise suppresser, the precharge should be set at the operating (dynamic) pressure. Place a gauge in the offending plumbing where the accumulator can be mounted. Adjust the valve so the noise is generated and read the pressure. Set the precharge to the observed pressure, remove the gauge, and install the accumulator.

For applications requiring an intermittent flow rate at a given pressure, the proper precharge is the *minimum* pressure required at the dispense valve. For example, if a system requires a minimum pressure of 30 psi [2.0 bar] (for correct brix, etc.) the correct precharge should be set at 30 psi [2.0 bar] to permit the most reserve storage capacity. If the precharge is higher than pump "turn ON", the liquid volume can be significantly less.

	3400-002 SPECIFICATIONS	3400-006 SPECIFICATIONS
Maximum Pressure	100 psi [6.8 bar] - O ₂ or N ₂	100 psi [6.8 bar] - O ₂ or N ₂
Total Volume (gas/liquid)	2 gal. [7.6 lt]	6 gal. [22.7 lt]
Liquid Volume @ 20 psi charge	.7 gal [2.2 lt]	2.2 gal [9.8 lt]
Temperature Range	34-120 ⁰ F [1/49 ⁰ C]	34-120 ⁰ F [1/49 ⁰ C]
Threaded Port	1/2" FNPT	3/4" MNPT
Tank Material	Stainless Steel	Stainless Steel
Bladder Material	Butyl	Butyl
Width	11" [28 cm]	11" [28 cm]
Length	12" [31 cm]	18" [46 cm]
Listing	NSF Standard 18	NSF Standard 18



Typical Dimensions of 3400-002, 2 Gallon [7.6 Liter]

LIMITED WARRANTY PROCEDURE

SHURflo warrants the accumulator to be free from material and workmanship defects (under normal use and service) for a period of one (1) year from the date of manufacture or one (1) year use, with proof of purchase, not to exceed two (2) years in any event.

The limited warranty will not apply to accumulators that were improperly installed, misapplied, or are incompatible with components or liquid not manufactured by SHURflo. Failure due to chemical incompatibility or foreign debris is not covered under the terms of this limited warranty. SHURflo will not warrant any accumulator that is physically damaged or altered outside the SHURflo factory.

Warranty claims may be resolved by an authorized dealer service center, or by SHURflo. Returns are to be shipped with charges pre-paid. Package all returns carefully. SHURflo will not be responsible for freight damage incurred during shipping to a service center.

For complete limited warranty information contact SHURflo.



★ ISO Certified Facility

SHURflo ★
5900A Katella Ave.
Cypress, CA 90630
(562) 795-5200
(800) 854-3218
FAX (562) 795-7564
Shipping: 5900C Katella Ave.
Cypress, CA 90630

SHURflo reserves the right to update specifications, prices, or make substitutions.

SHURflo East
52748 Park Six Court
Elkhart, IN 46514-5427
(574) 262-0478
(800) 762-8094
FAX (574) 264-2169
© 2004 All Rights Reserved
www.shurflo.com

SHURflo Ltd.
Unit 5 Sterling Park
Gatwick Road, Crawley
West Sussex, RH10 2QT
United Kingdom
+44 1293 424000
FAX +44 1293 421880