



a xylem brand

MANUAL TOILET Twist 'N' Lock



- * *Twist 'N' Lock action safety handle guards against flooding and waste backflow by locking the waste outlet valve shut.*
- * *White vitreous china bowl, enameled wooden seat and cover*
- * *Reversible pump mounting for left or right-handed installation*
- * *Crevice-free contours and smooth moldings for added hygiene*
- * *Multi-angled discharge elbow for ease of installation*
- * *Corrosion-resistant materials for fresh or salt water service*
- * *All fastenings face front or top for ease of maintenance*

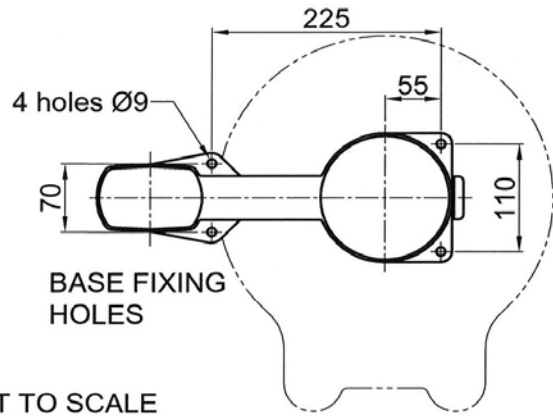
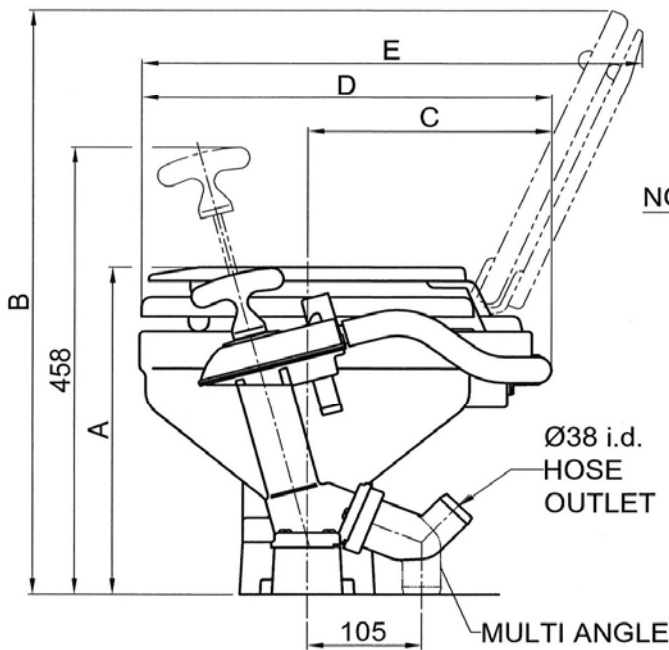


xylem
Let's Solve Water

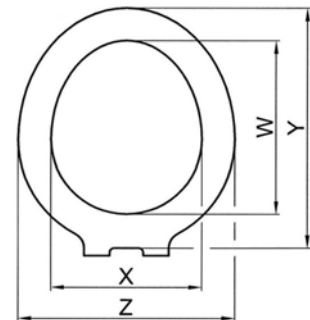
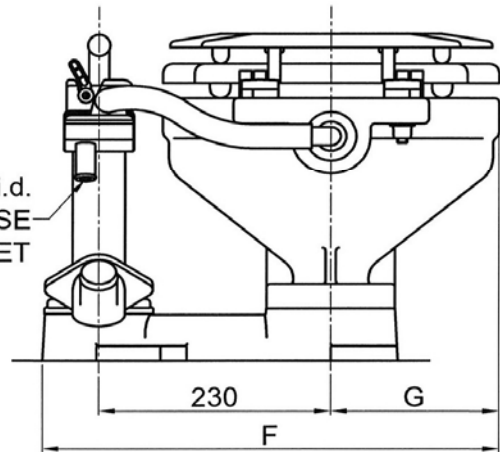
Cleghorn Waring
Icknield Way • Letchworth Garden City • Herts • SG6 1EZ

Telephone: 01462 480380 Fax: 01462 482422
mail@cleghorn.co.uk www.jabscoshop.com

COMPACT BOWL
 29090-3000 Twist 'N' Lock Manual Toilet
REGULAR BOWL
 29120-3000 Twist 'N' Lock Manual Toilet



NOT TO SCALE



MODEL	TOILET						
	A	B	C	D	E	F	G
29090-3000 COMPACT	335	615	247	425	485	450	165
29120-3000 REGULAR	345	700	280	490	580	465	180
Approximate dimensions in mm	SEAT				schematic only not to scale		
	W	X	Y	Z			
29090-3000 COMPACT	230	215	330	330			
29120-3000 REGULAR	260	210	390	365			

The Jabsco 'Twist 'n' Lock' design uses a remodelled piston in the pump-out assembly. At the end of normal pumping out, at the bottom of the pump stroke, the user simply turns the handle through 90° and that locks the piston down onto the base outlet valve, keeping it securely shut. Turning the handle to the normal operating position opens the lock again.

29040-3000 Pump assembly

