



Triton (DC)

Input voltage is 12VDC ONLY

Input current is 13.2A-(160 Watt)

Light Head Assembly

The Triton Light Head Assembly is designed for OEM use. This light requires an area of 14" x 5 1/2" for mounting. Make sure adequate space is available on the mounting surface before drilling holes. (see back) Drill a 1/2" through hole in the center of the mounting position for the power wires to pass. This light arrives with 4 temporary plastic wings nuts on each of the 4 corner bolts. Remove the wing nuts and use the 4 remaining 10-24 machine screws with your choice of nuts. Or, replace the 4 corner bolts with your choice of #10 tapping screw. (Stainless Steel hardware is recommended)

Pole Mount/Bracket Mount

Pole Mount - This light comes equipped with a 3/4" NPT flange for easy adapting to many standard configurations.

Bracket Mount - This light comes equipped with a rotational mounting bracket intended for mounting to flat surfaces. Mounting hardware can be substituted but it is recommended that Stainless Steel hardware be used regardless of fastener type.

Surface Mount

This light requires an area of 14" x 5 1/2" for mounting. Make sure adequate space is available on the mounting surface before drilling holes. (see back) Drill a 1/2" through hole in the center of the mounting position for the power wires to pass. This light arrives with 4 temporary plastic wings nuts on each of the 4 corner bolts. Remove the wing nuts and use the 4 remaining 10-24 machine screws with your choice of nuts. Or, replace the 4 corner bolts with your choice of #10 tapping screw. (Stainless Steel hardware is recommended) Apply a small ring of Silicone RTV around the wire exit hole on the rear of the surface mount plate to ensure proper sealing. Make sure when the light is mounted that the Triton badge reads normally. (not upside down) This will ensure proper airflow for cooling.

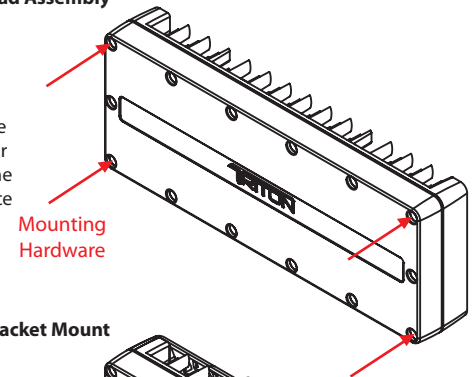
Semi-Recess Mount

This light requires an area of 17 1/2" x 9 1/2" for mounting and requires a hole 15 1/4" wide by 7 1/4" tall by 1 1/2" deep to be cut into the mounting surface. (see back) Make sure adequate space is available on the mounting surface before drilling holes. After the recess hole is cut, place and use the light assembly to mark the centers of each mounting screw position. Pre-Drill holes appropriately sized for the mounting surface substrate to accommodate the #10 self-tapping screws. Apply a bead of Silicone RTV around the entire rear flange of the recess mount and around mounting screw holes to ensure proper sealing. Connect the power wires, position, and use the 8 - #10 screws provided to securely mount the fixture in place. Make sure when the light is mounted that the Triton badge reads normally. (not upside down) This will ensure proper airflow for cooling.

Limited Warranty

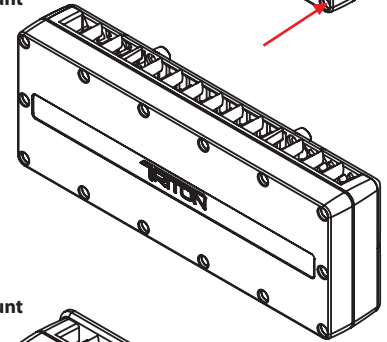
The product is warranted to be free from defects in workmanship and materials for a period of one year from the date of original purchase. Lumitec is not responsible for product failure caused by abuse, neglect, improper installation, or failure in applications other than those for which it was designed, intended, and marketed. Should your Lumitec product prove defective during the warranty period, promptly notify Lumitec and return product with freight prepaid. Lumitec will, at its option, repair or replace the product or defective portion without charge for parts or labor, or, at Lumitec's option, refund purchase price. Products repaired or replaced under this warranty shall be warranted for the unexpired portion of the warranty applying to the original product(s). No warranty or affirmation of fact, express or implied, other than as set forth in the limited warranty statement above is made or authorized by Lumitec, Inc. Any liability for consequential and incidental damages is expressly disclaimed. Lumitec liability in all events is limited to, and shall not exceed, the purchase price paid.

Light Head Assembly

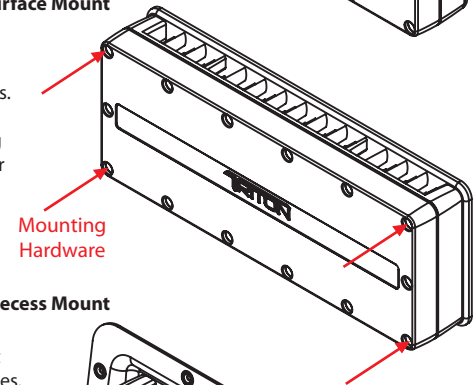


Mounting Hardware

Pole Mount/Bracket Mount

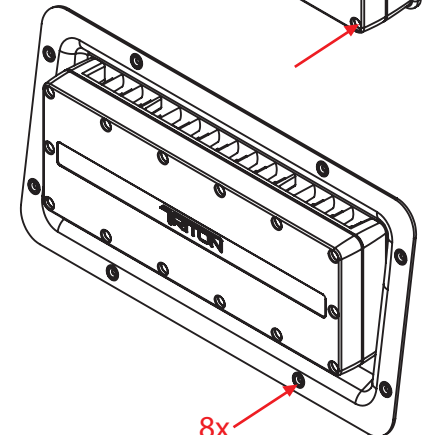


Surface Mount



Mounting Hardware

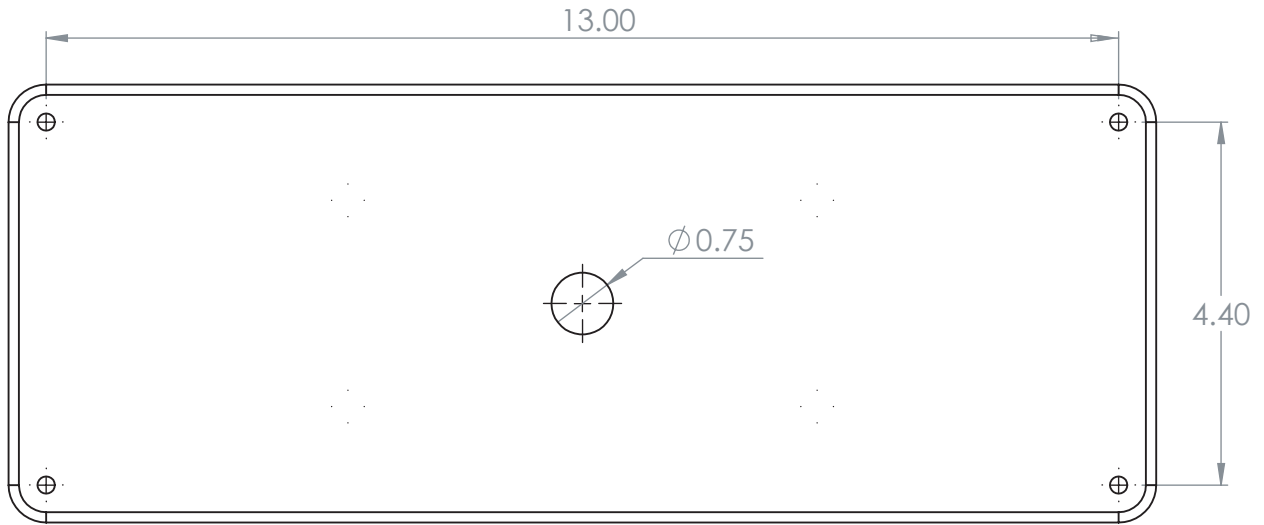
Semi-Recess Mount



8x
Mounting Hardware



Light Head Assembly & Surface Mount Mounting Hole Locations



Semi-Recess Mount Mounting Hole Locations

