

1076 060

Floodlight for halogen lamps



GLOBAL MARINE & OFFSHORE
LIGHTING SOLUTIONS

- Deep drawn seamless steel housing
- Instant light provided by halogen lamps
- No tools required to open the housing

Application

Yachts, fishing vessels, commercial ship-
ping and industrial areas

Design

According to rules of maritime classification
societies, additional VDE and IEC / EN

Housing

Stainless steel deep drawn, seamless

Finish

Powder coated white RAL 9016 and enam-
elled up to 70 - 80 µm thickness

Pane

Safety glass

Reflector

Highly polished aluminium, anodized

Electric

Flexible wiring, silicone insulated, heat
resistant up to 180° C; 1.5 m connection
cable wired (H07RN-F3G, 3 x 1.5 mm²);
terminal 3 - pole / 6 mm² internal



Lamp base

R7s Adjustable socket distance 64.2 /
78.3 / 114.2 mm L = 114.2 = standard

Light sources

(Not included) Halogen lamp L 64.2 -
114.2 mm, 100 - 200W,

Mounting

Adjustable bracket with central mounting
hole, dia. 14 mm

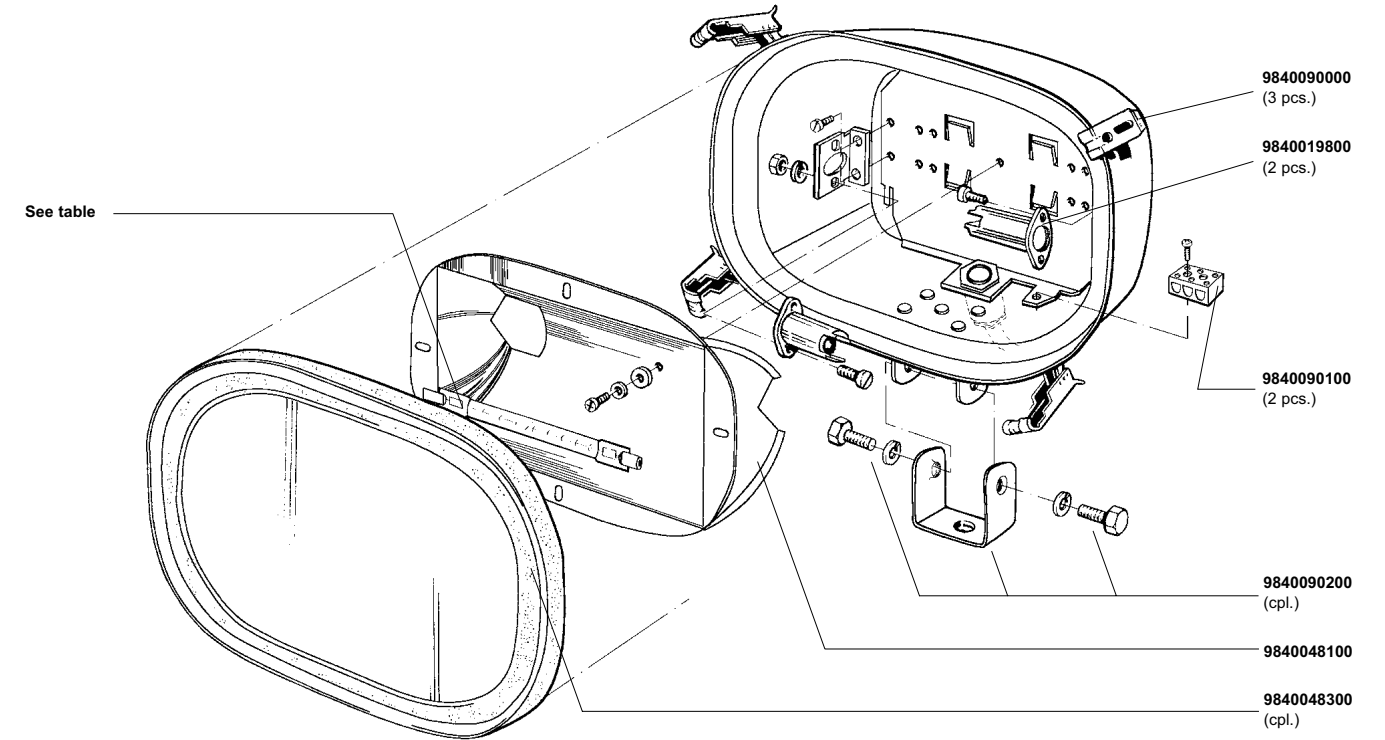
Cable entry

Brass cable gland M 24 x 1.5 MGCG;
standard for cable dia. 10 to 12.5 mm

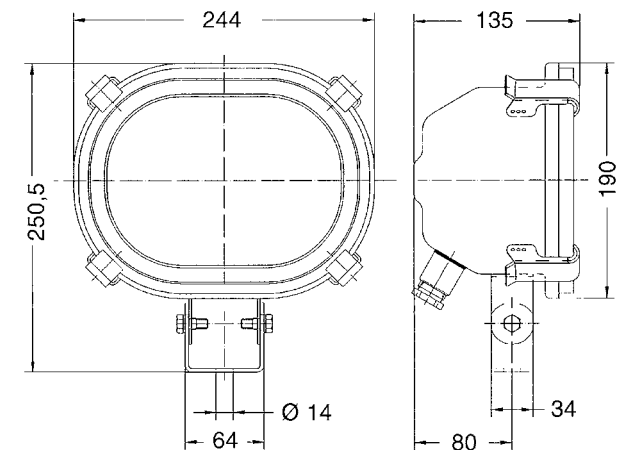
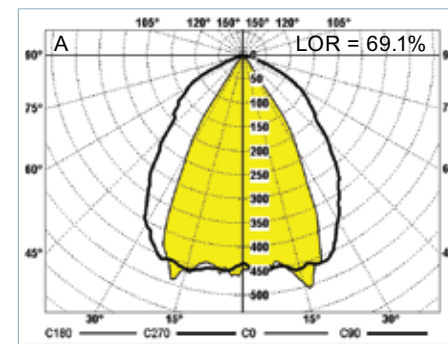
Remark

Use lamps from well-known manufacturers
only

Spare Parts



Part number for spare parts



Fitting with premounted lightsources available on request

Product	Part-No. max. 240V	Weight (kg)	Lamp Code	Lamp Base	Light Distribution
1076 max. 1x200W Halogen B24	1076060000	3.00	QT-DE12	R7s	A
Reflector 36° B24 = Brass cable gland M24x1.5					

Accessories	Part-No.
Halogen lamp 100W R7s (12V, 64.2 mm)	9840104700
Halogen lamp 200W R7s (24V, 64.2 mm)	9840104800
Halogen lamp 200W R7s (230V, 114.2 mm)	9840104900
Gland gasket insert 12.0-16.5 mm	8100474800
Gland gasket insert 16.0-18.0 mm	8100475600



Measurements are in mm