



Cat. No. 0918000CHR Lockset with Regular Bevel and Box Strike  
Cat. No. 0918DP0CHR Lockset with Regular Bevel and Box Strike  
Cat. No. 0919000CHR Lockset with Reverse Bevel and Flush Strike  
Cat. No. 0919DP0CHR Lockset with Reverse Bevel and Flush Strike

### MOUNTING INSTRUCTIONS

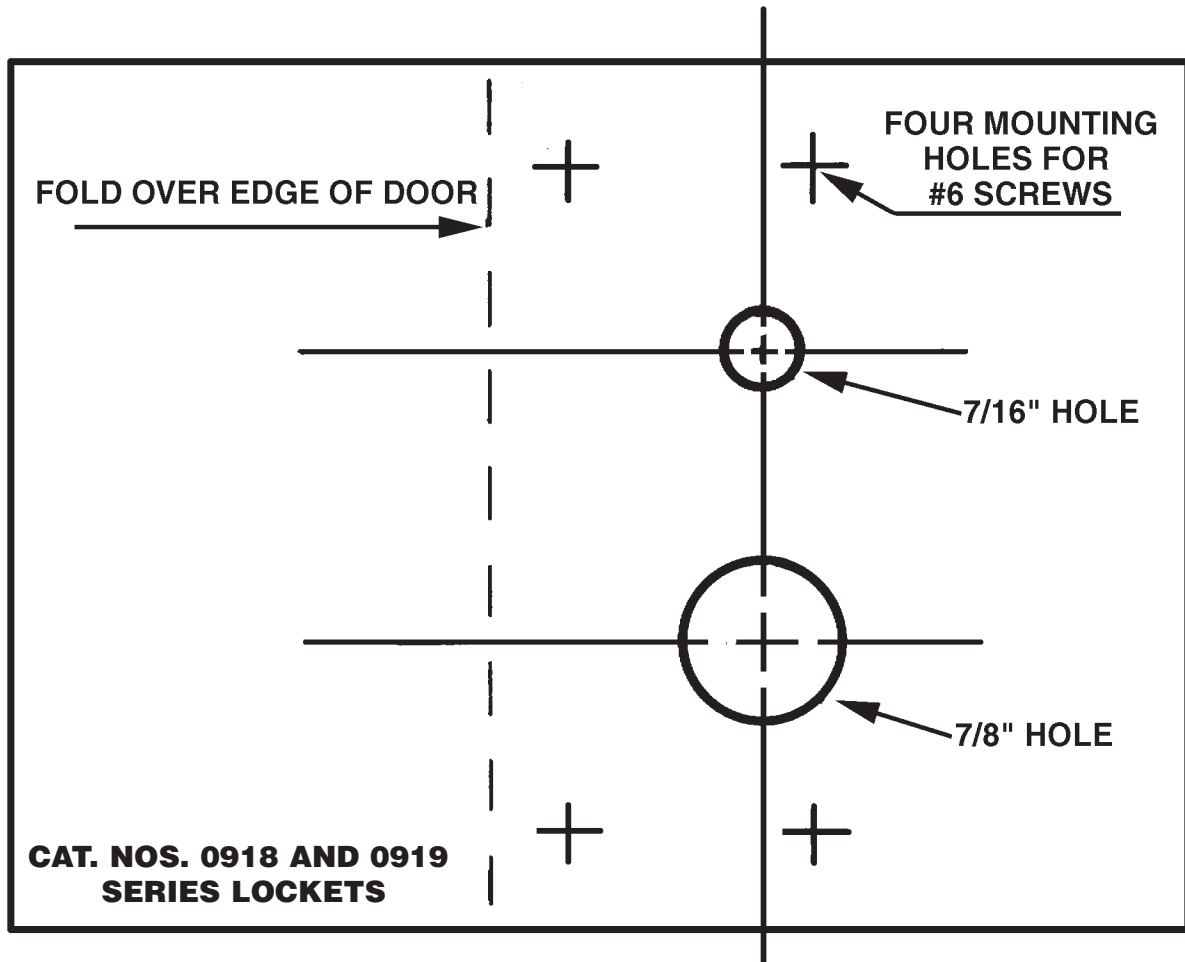
These Rim Lock sets are designed to be mounted on the surface of doors 5/8 inches to 1-3/8 inches thick.

- 1). Cut out template below. Fold on dotted line. Place on door at desired height on the side to have the lock set body. Folded tab should overlap edge. Note that small circle must be above large circle.
- 2). Mark center of circles for drilling.
- 3). Drill holes as shown.
- 4). Insert lever handle with stem through the lock set body. Put stem through the smaller hole drilled in step #3 above, align and fasten lock set body to door with #6 screws (not supplied). Place escutcheon plate over the stem on opposite side of door, align lock stem and fasten with #6 screws (not supplied).
- 5). Thread the knob on stem and tighten set screw on knob.
- 6). Mount strike on door frame.

PERKO, INC.  
16490 N.W. 13th. Avenue  
Miami, FL. 33164-5707  
www.perko.com

01/04  
918INS1

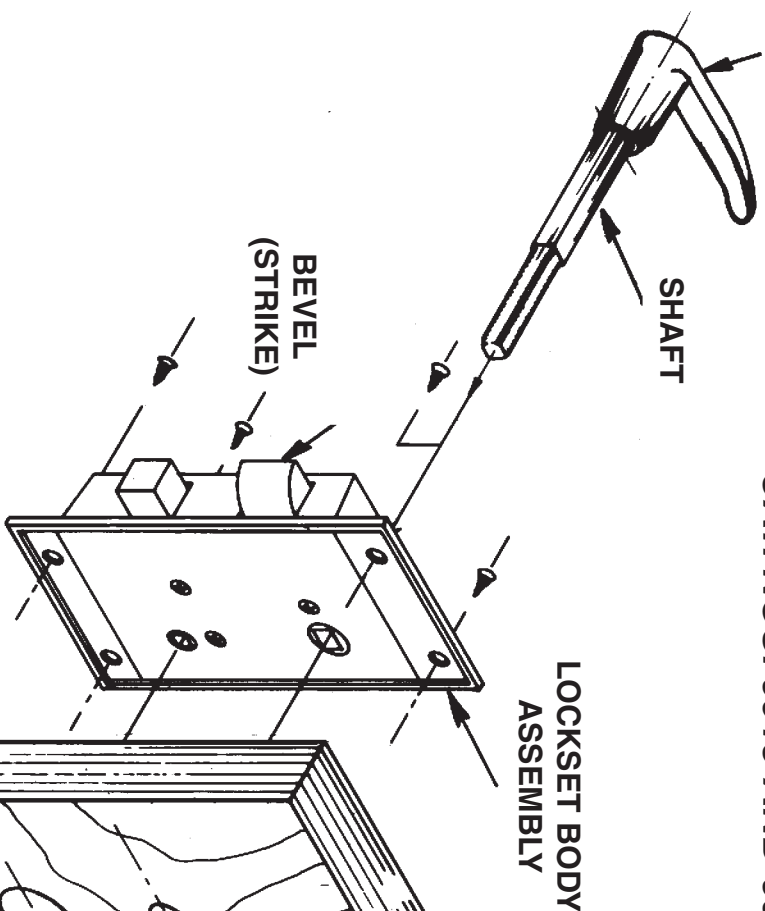
### TEMPLATE



(SEE OVER)

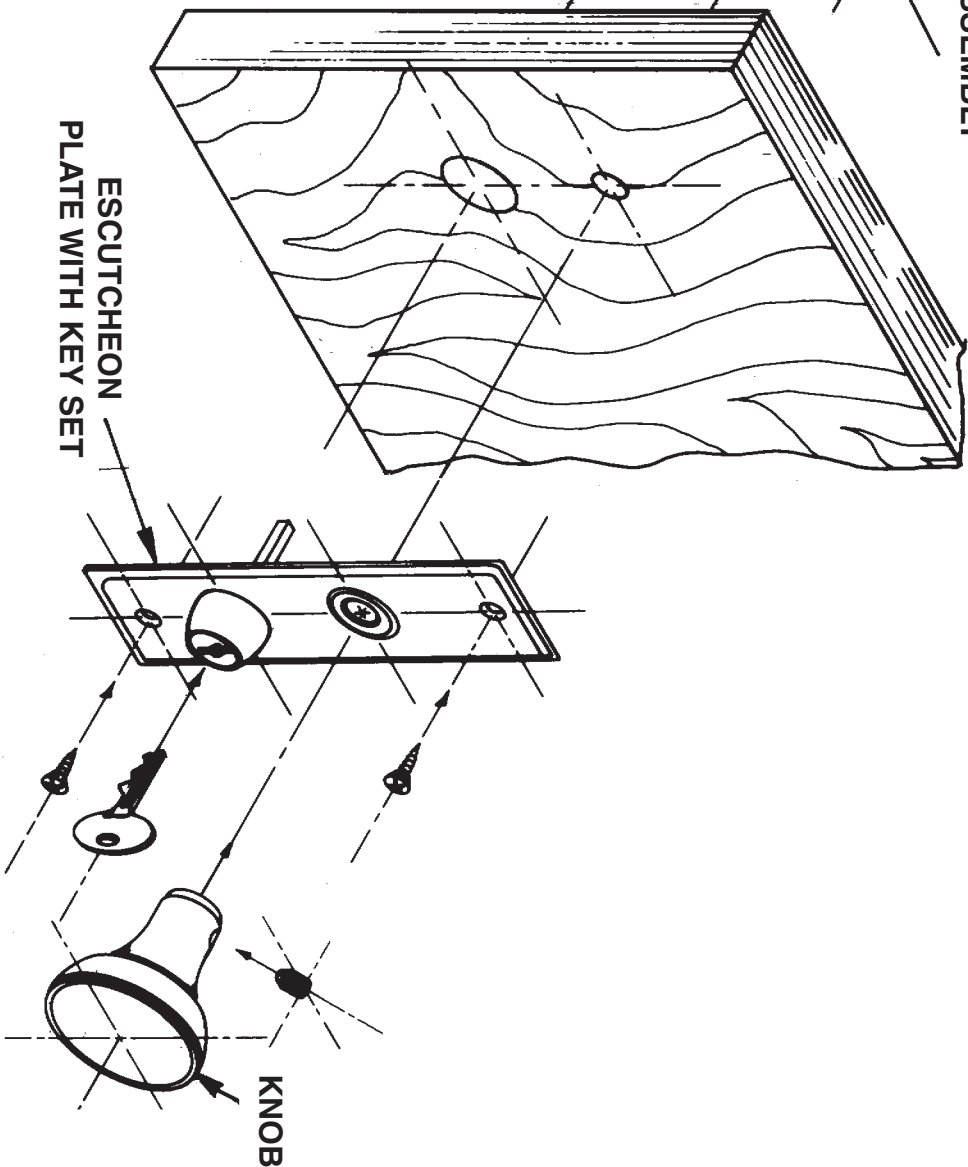
LEVER  
"L" HANDLE

**EXPLODED VIEW  
CAT. NOS. 0918 AND 0919 SERIES LOCK SETS**



**REPLACEMENT PARTS**

ITEM	CATALOG NUMBER
KNOB, "L" HANDLE AND SHAFT ASSY.	09622000CHR
ESCUTCHEON PLATE WITH KEY SET	09533000CHR
LOCK SET	FOR 0918 SERIES 091800088A
BODY ASSY.	FOR 0919 SERIES 091900088A
BEVEL WITH CAM (STRIKE)	0920000CHR
BOX STRIKE PLATE FOR 0918 SERIES	091800099A
FLUSH STRIKE PLATE FOR 0919 SERIES	09133000CHR



ALL MOUNTING SCREWS  
ARE #6 SIZE  
(NOT SUPPLIED)